



US00D745130S

(12) **United States Design Patent**
Sevy

(10) **Patent No.:** **US D745,130 S**
(45) **Date of Patent:** **** Dec. 8, 2015**

(54) **INTEGRATED, PURIFICATION, DIFFUSER**

- (71) Applicant: **Earl Vaughn Sevy**, Cedar City, UT (US)
- (72) Inventor: **Earl Vaughn Sevy**, Cedar City, UT (US)
- (**) Term: **14 Years**
- (21) Appl. No.: **29/465,421**
- (22) Filed: **Aug. 28, 2013**

Related U.S. Application Data

- (63) Continuation-in-part of application No. 29/451,740, filed on Apr. 8, 2013, now Pat. No. Des. 735,309, which is a continuation-in-part of application No. 13/854,545, filed on Apr. 1, 2013.
- (51) **LOC (10) Cl.** **23-04**
- (52) **U.S. Cl.**
USPC **D23/364**
- (58) **Field of Classification Search**
USPC D23/314, 325, 329, 333, 334, 335, 342, D23/355, 356, 358, 359, 364, 386, 387, 388, D23/389, 390, 391
CPC A61L 9/00; A61L 9/205; A61L 9/145; A61L 9/14; A61L 9/122; A61L 9/125; A61M 11/064; B01D 46/00; B01D 46/0001; B01D 46/0019; B01D 46/10; B01D 1/00; F24F 1/00; F24F 3/16; F24F 3/166; F24F 3/1603; F24F 3/14; F24F 3/12; F24F 7/00
See application file for complete search history.

(56) **References Cited**

U.S. PATENT DOCUMENTS

- 2,860,224 A * 11/1958 Tammen 219/452.13
- D313,071 S * 12/1990 Scherrer D23/364
- D419,658 S * 1/2000 Matchett et al. D23/356

(Continued)

OTHER PUBLICATIONS

<http://www.air-aroma.com/diffusers>.

(Continued)

Primary Examiner — Eric Goodman

Assistant Examiner — Bao-Yen Nguyen

(74) *Attorney, Agent, or Firm* — Pate Baird, PLLC

(57) **CLAIM**

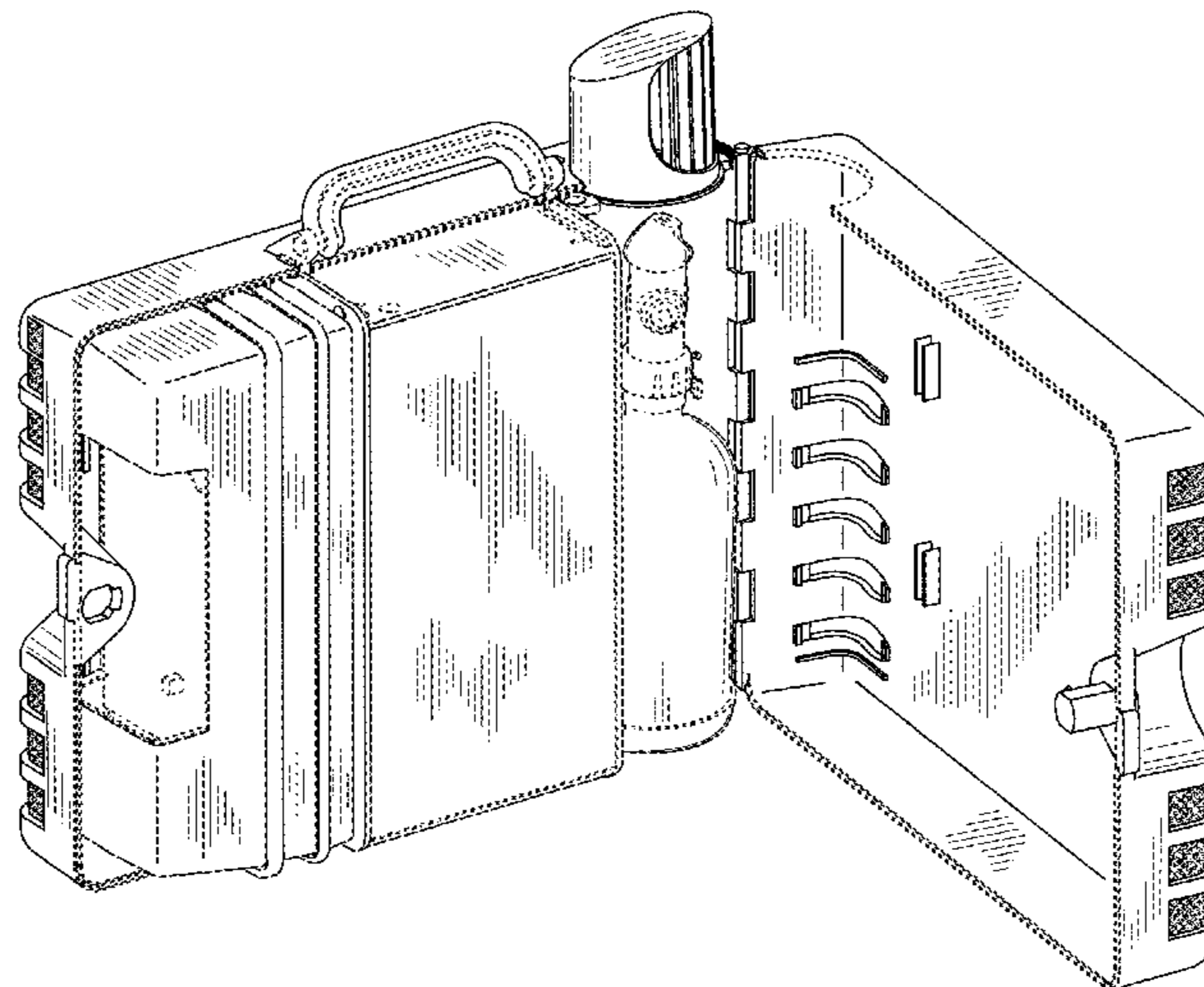
The ornamental design for an integrated, purification, diffuser, as shown and described.

DESCRIPTION

FIG. 1 is a frontal perspective view of a diffuser in accordance with the invention in an open configuration showing the internal components thereof;
 FIG. 2 is a front elevation view of the rear portion thereof;
 FIG. 3 is a front perspective view of the rear portion thereof, absent the internal components;
 FIG. 4 is a rear perspective view of the front portion of the housing thereof;
 FIG. 5 is a front perspective view of the diffuser of FIG. 1
 FIG. 6 is rear perspective view thereof;
 FIG. 7 is a front perspective view of a germicidal component;
 FIG. 8 is a front perspective view of a filter component;
 FIG. 9 is a front perspective view of a power component;
 FIG. 10 is a front elevation view of the diffuser of FIG. 1;
 FIG. 11 is a rear elevation view thereof;
 FIG. 12 is a left end elevation view thereof;
 FIG. 13 is a right end elevation view thereof;
 FIG. 14 is a top plan view thereof; and,
 FIG. 15 is a bottom plan view thereof.

The broken lines depict a portion of the article and form no part of the claimed design.

1 Claim, 11 Drawing Sheets



(56)

References Cited

U.S. PATENT DOCUMENTS

D534,999 S * 1/2007 Hussaini et al. D23/335
D585,540 S * 1/2009 Lithgow et al. D24/110
D600,789 S * 9/2009 Campbell et al. D23/364
D612,480 S * 3/2010 Cork et al. D24/110
7,712,683 B2 5/2010 Robert et al.
D617,437 S * 6/2010 Matsuzaki D23/364
D626,642 S * 11/2010 Virr et al. D23/356
D627,044 S * 11/2010 Virr et al. D23/356
D633,996 S * 3/2011 Laut et al. D23/364
D635,654 S * 4/2011 Virr et al. D23/356
7,930,068 B2 4/2011 Robert et al.
D645,130 S * 9/2011 Goldstein et al. D23/356

D660,951 S * 5/2012 Sevy D23/366
D666,706 S * 9/2012 Sevy D23/366
2010/0084484 A1 * 4/2010 Sevy 239/4

OTHER PUBLICATIONS

http://www.prolitec.com/appliances_commercial.htm.
<http://scentair.com/why-scentair-solutions/>.
<http://www.brandaroma.com/products/>.
<http://www.e2aroma.com/appliances/smart-air-maxi/>.
<http://www.scentaustralia.com.au/index.php/products/scent-dif-fuser-zephyr>.
<http://www.voitair.com/scent-systems>.
<http://www.fragrancemachine.com/>.

* cited by examiner

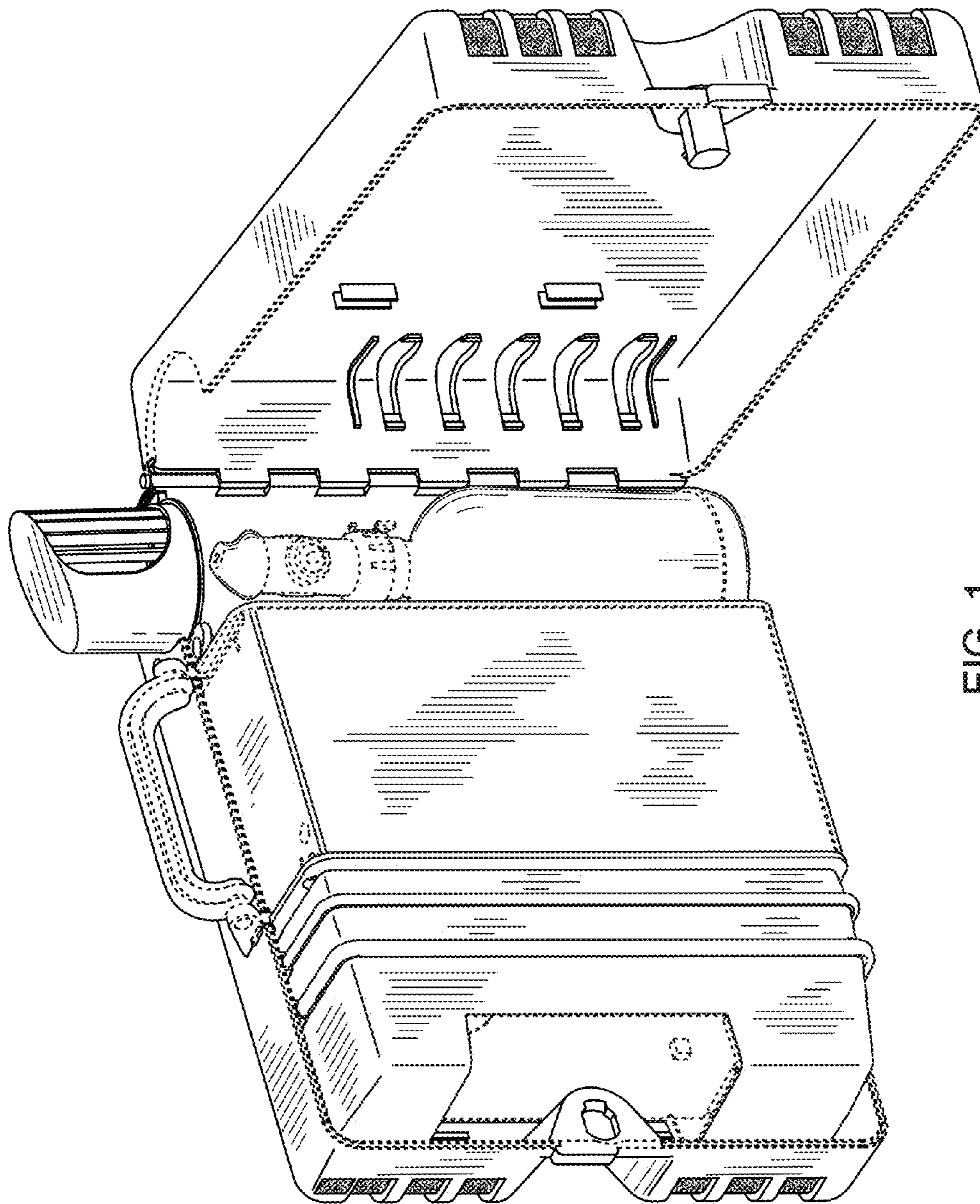


FIG. 1

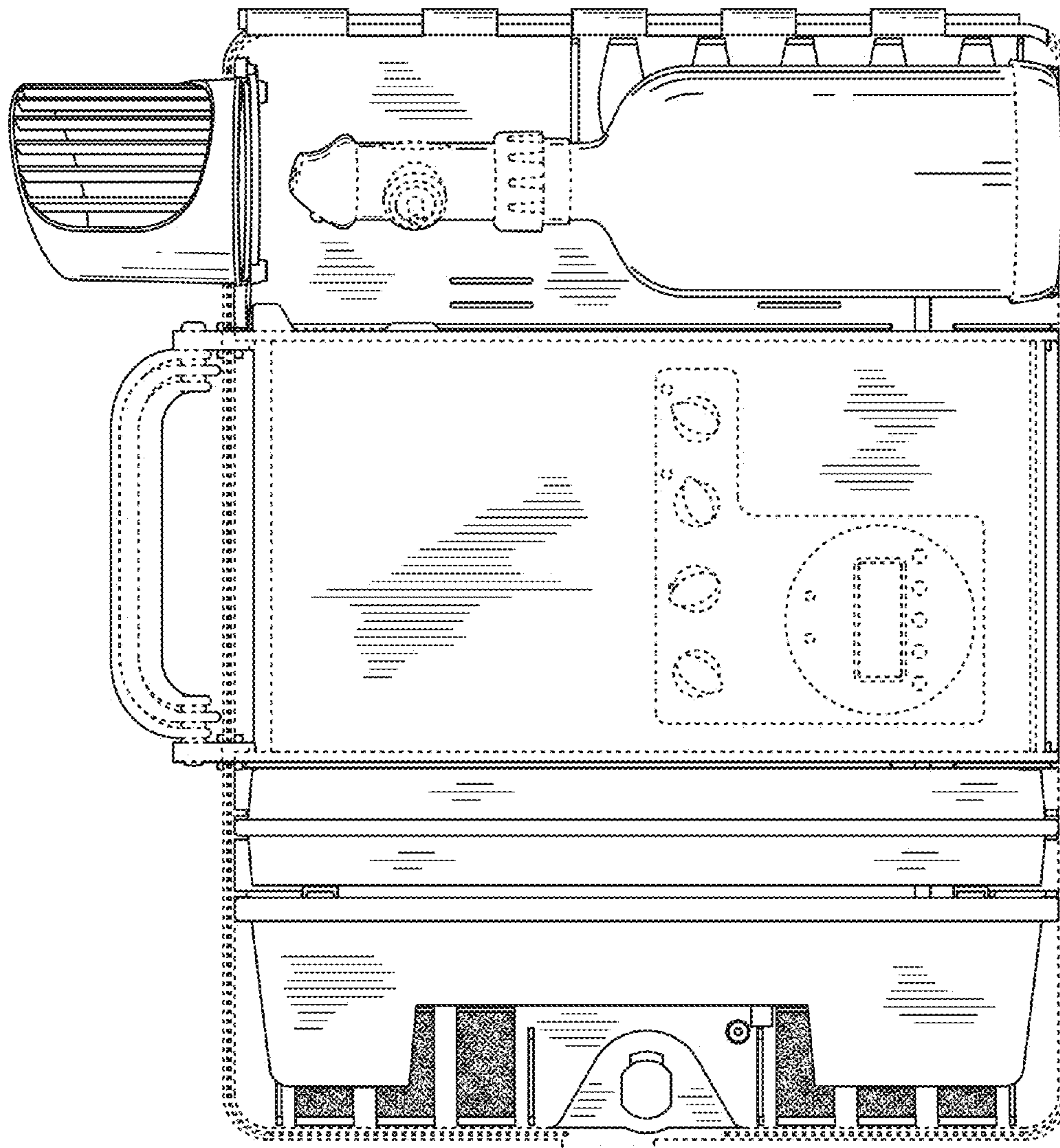


FIG. 2

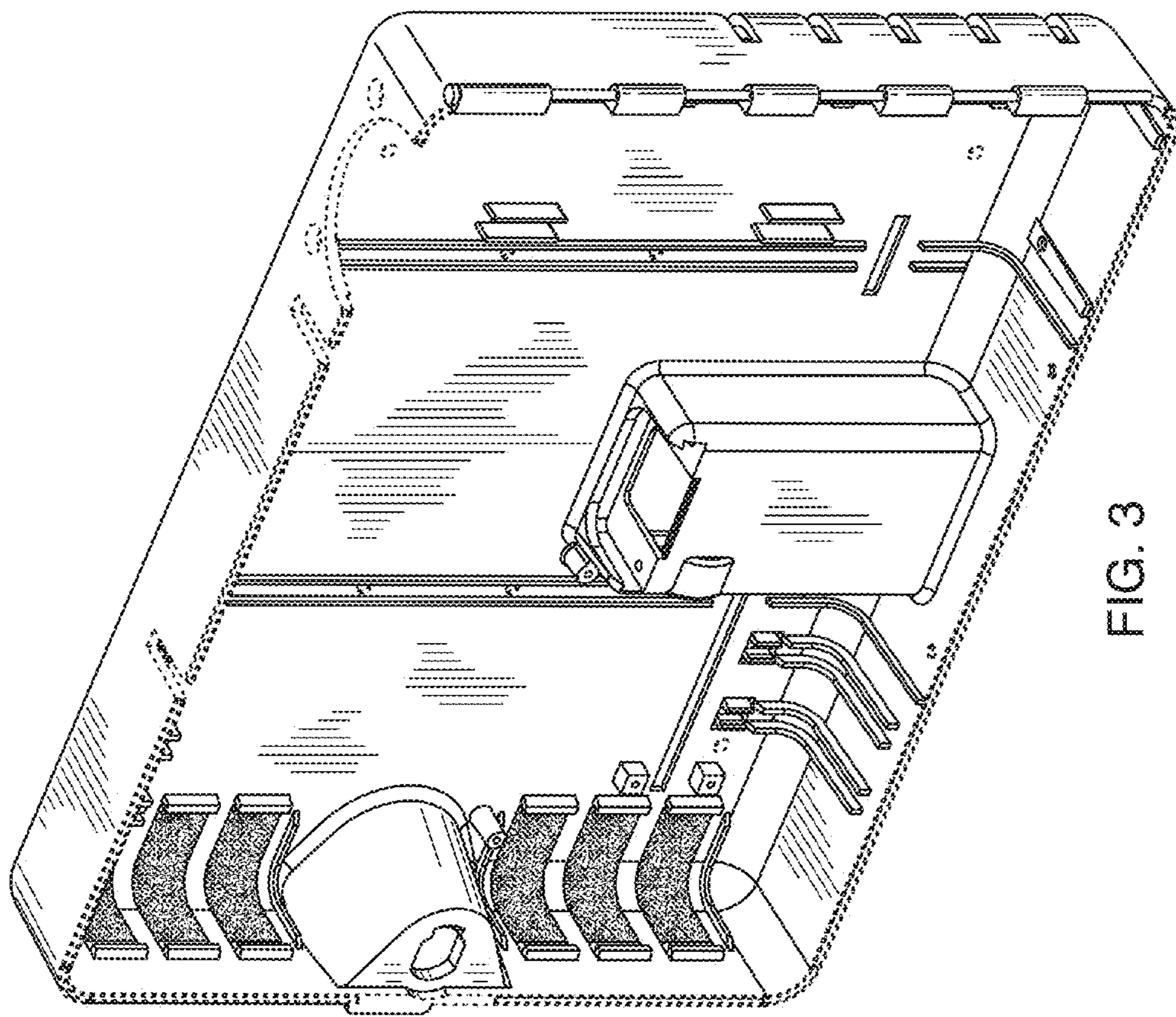


FIG. 3

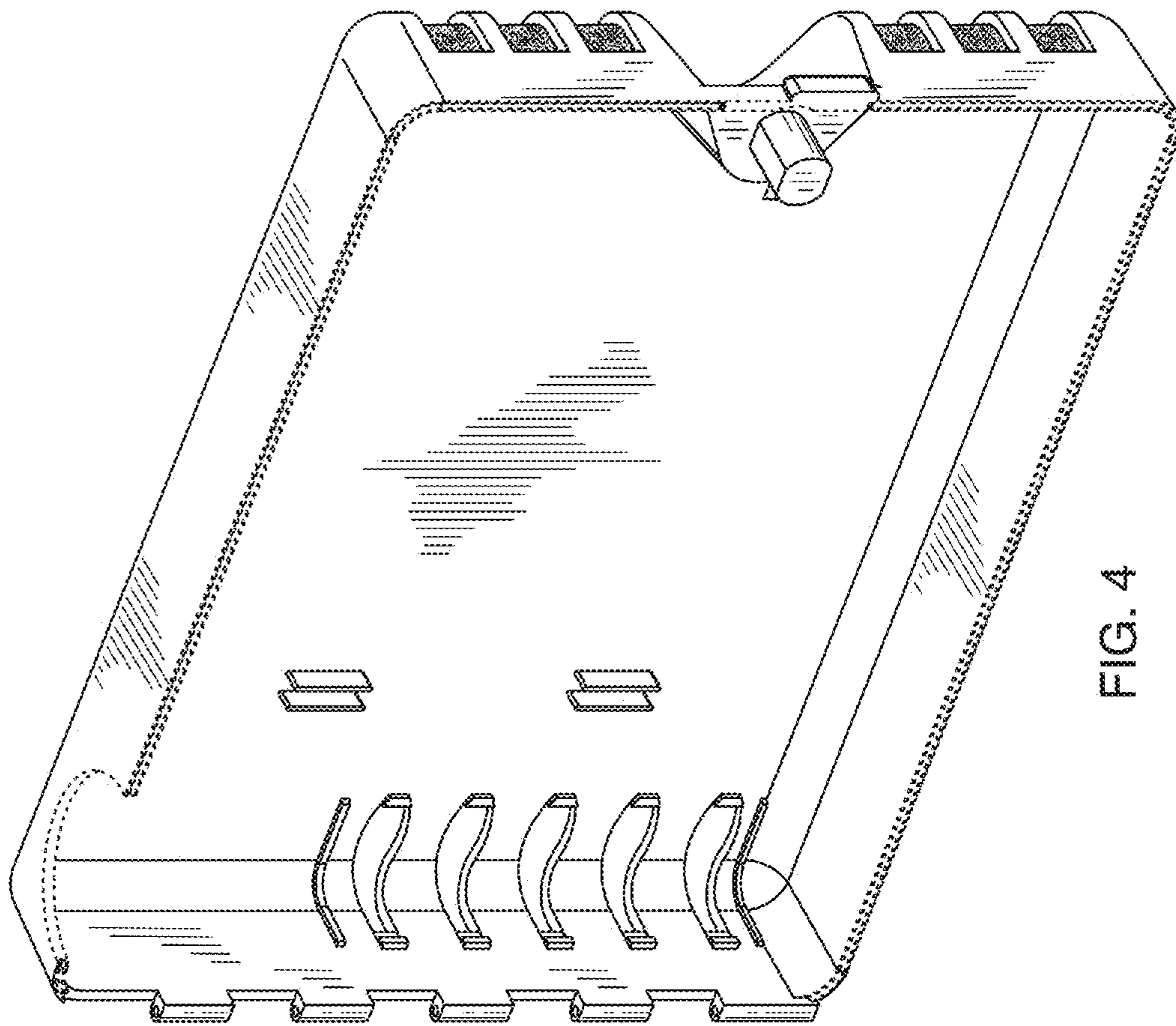


FIG. 4

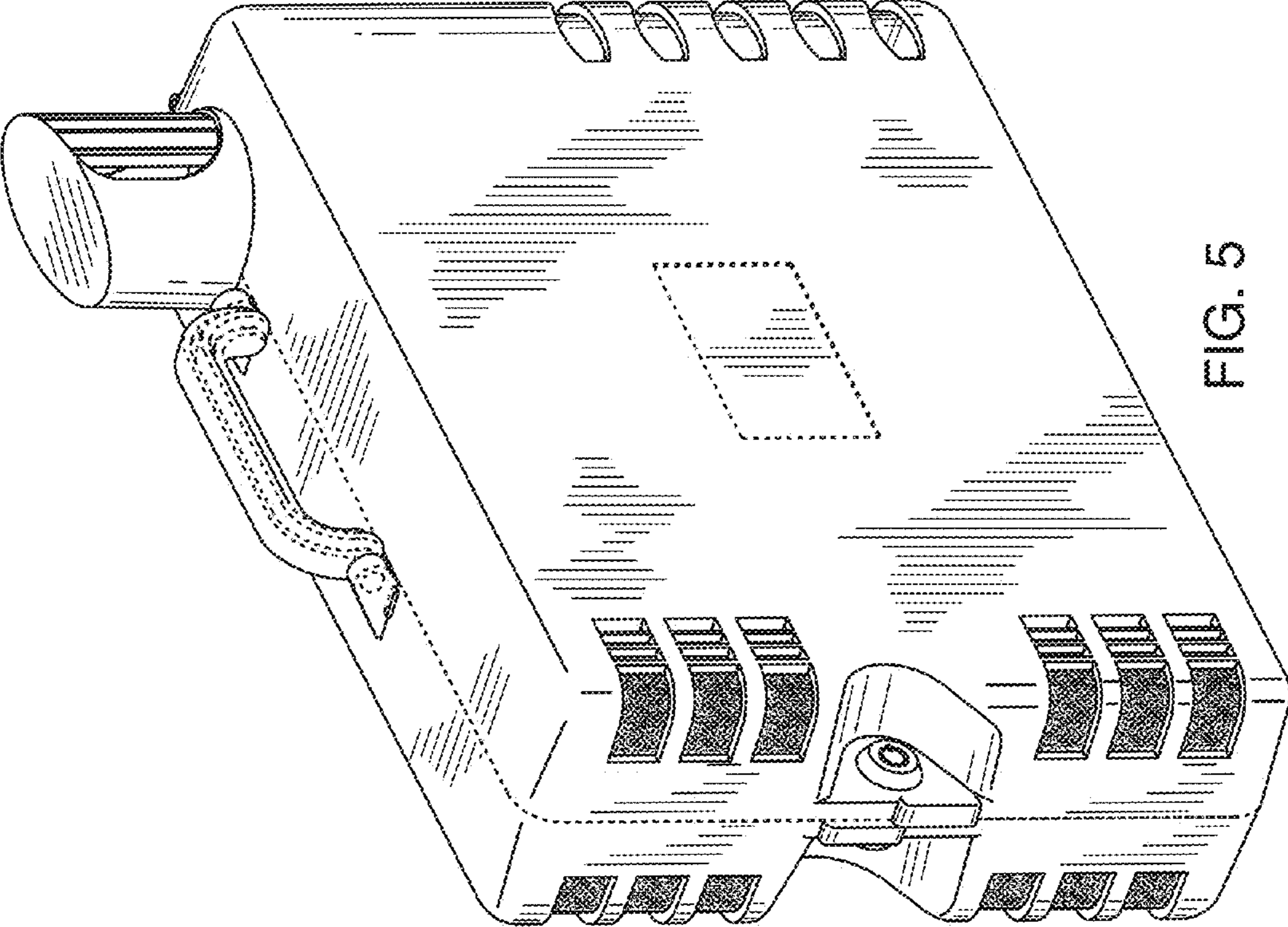


FIG. 5

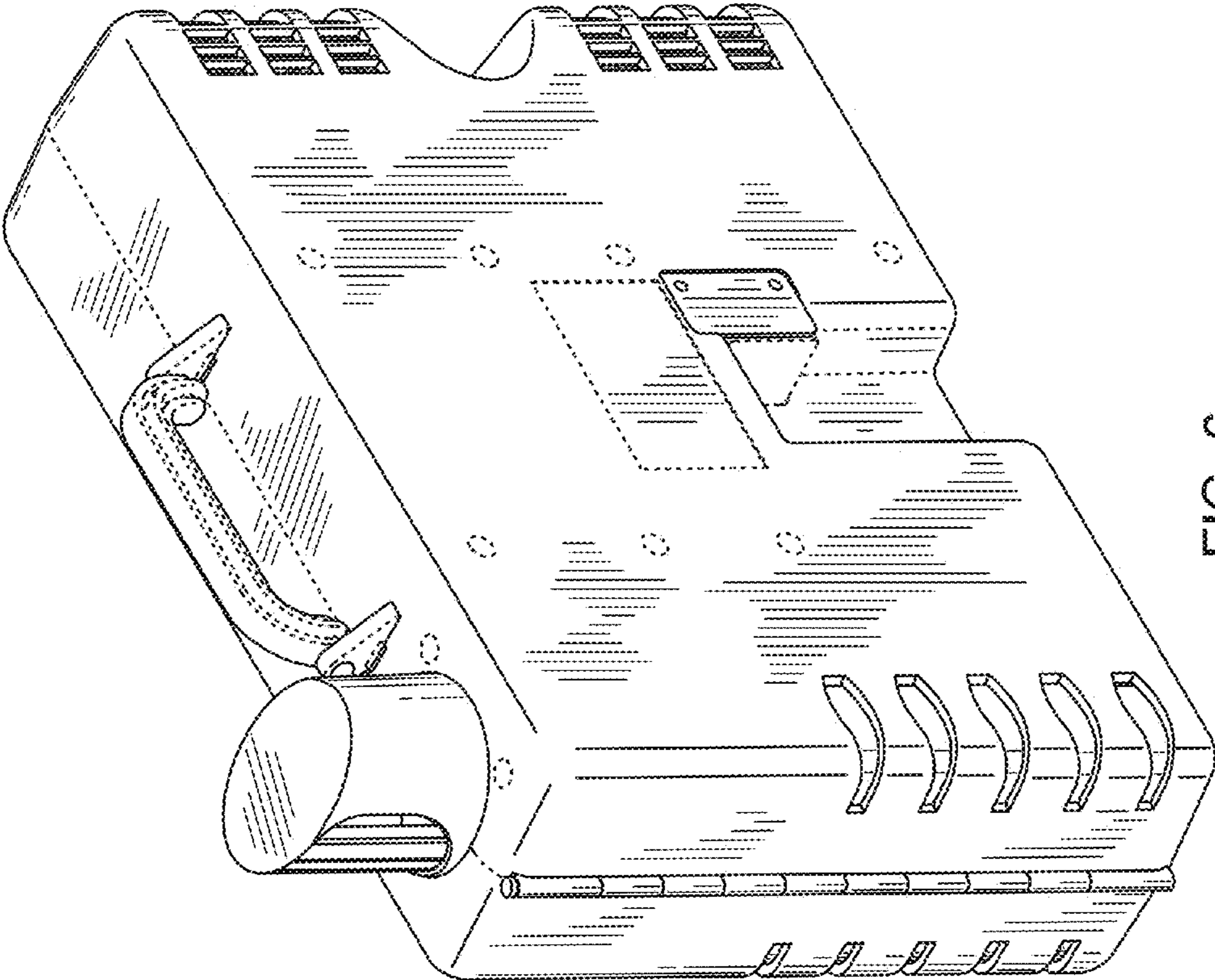


FIG. 6

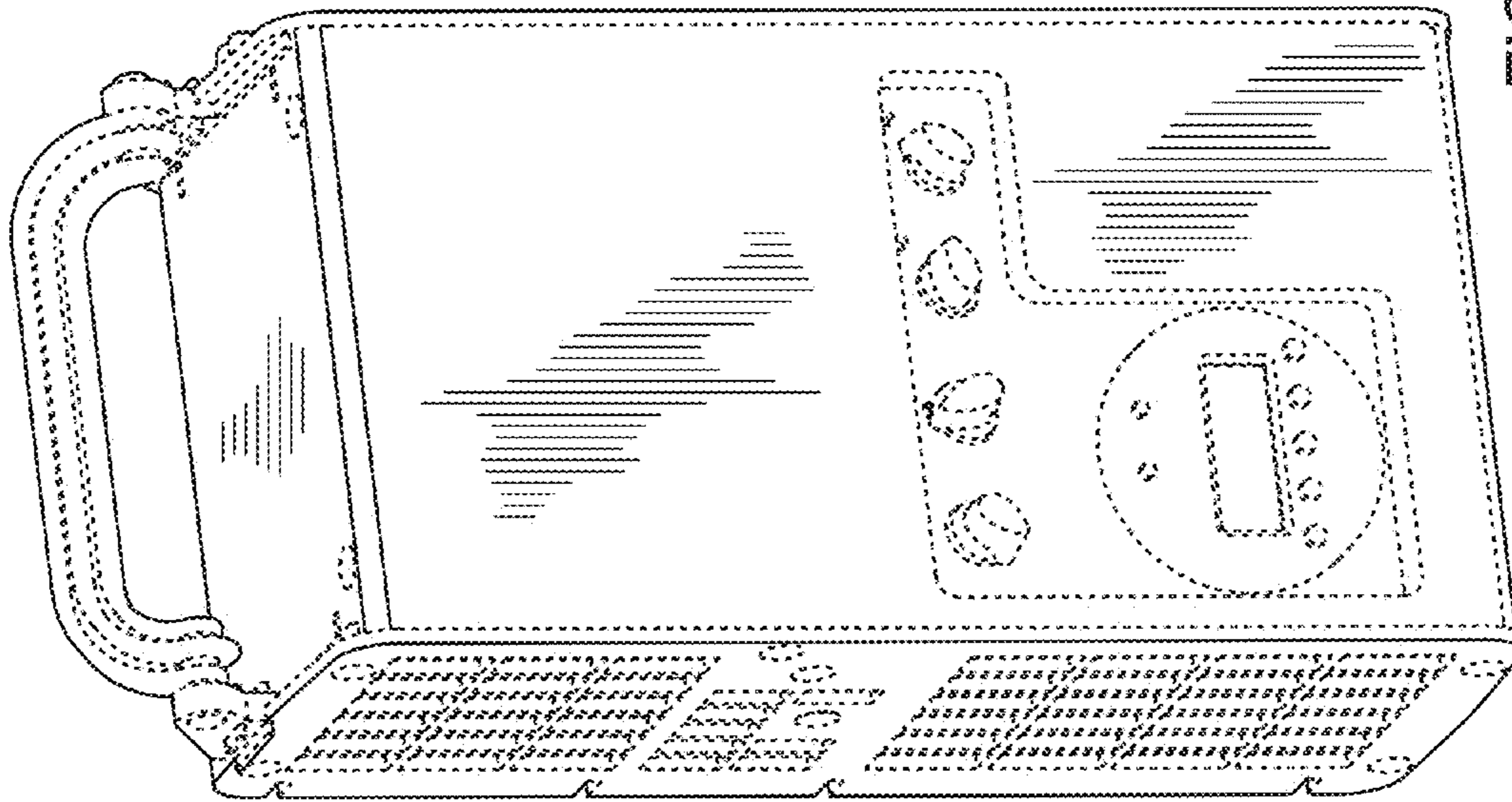


FIG. 9

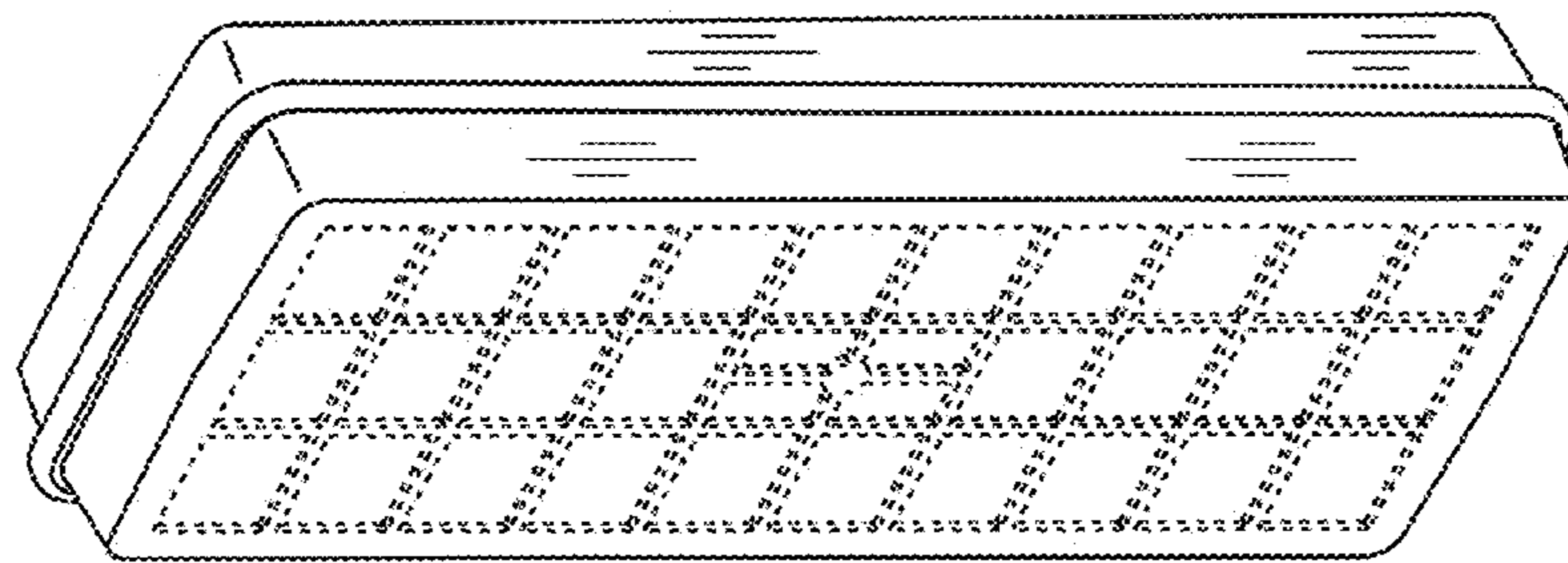


FIG. 8

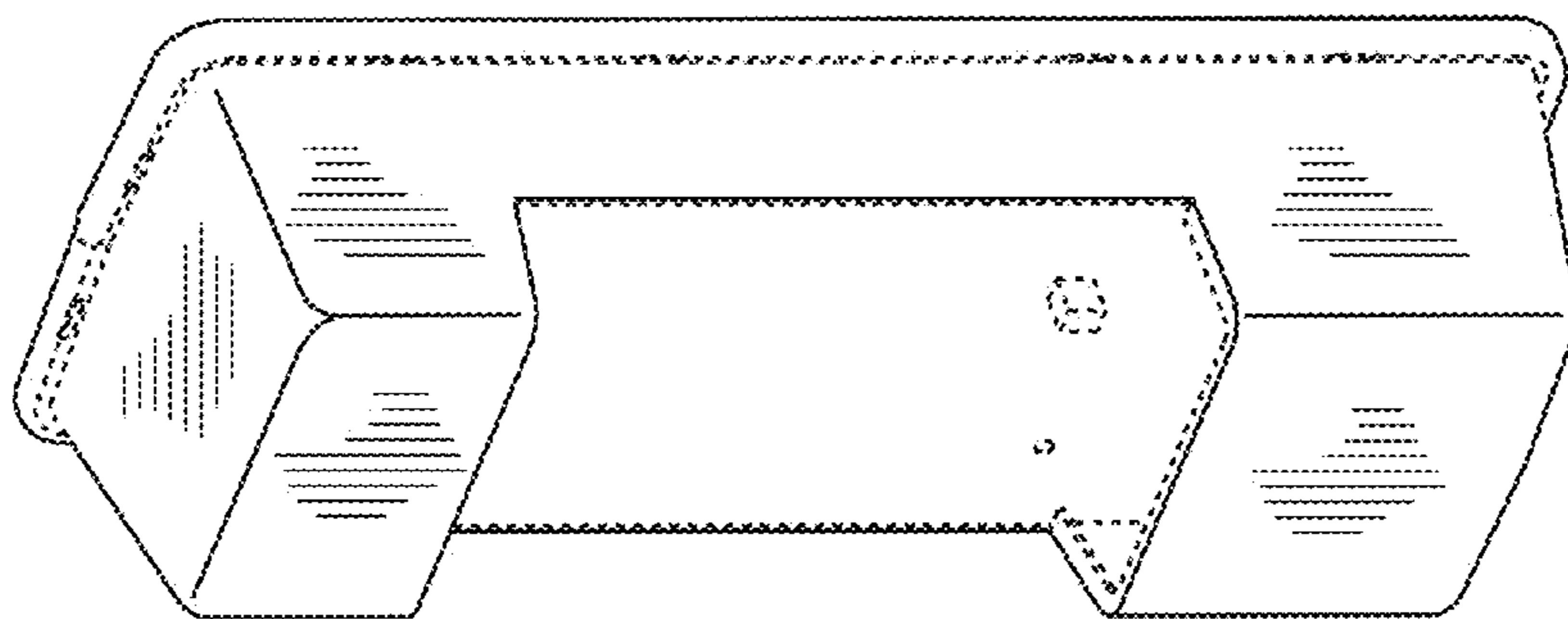


FIG. 7

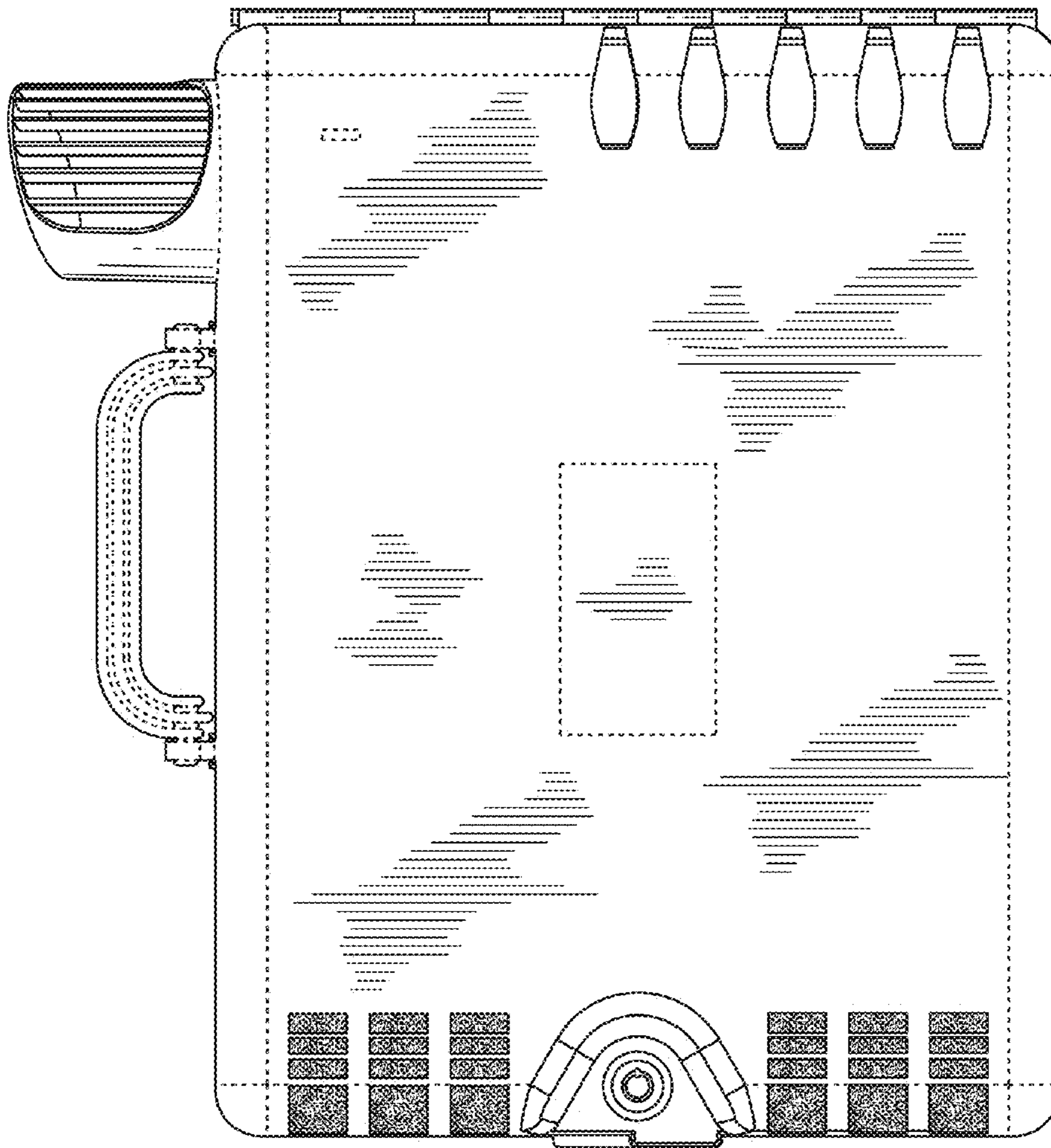


FIG. 10

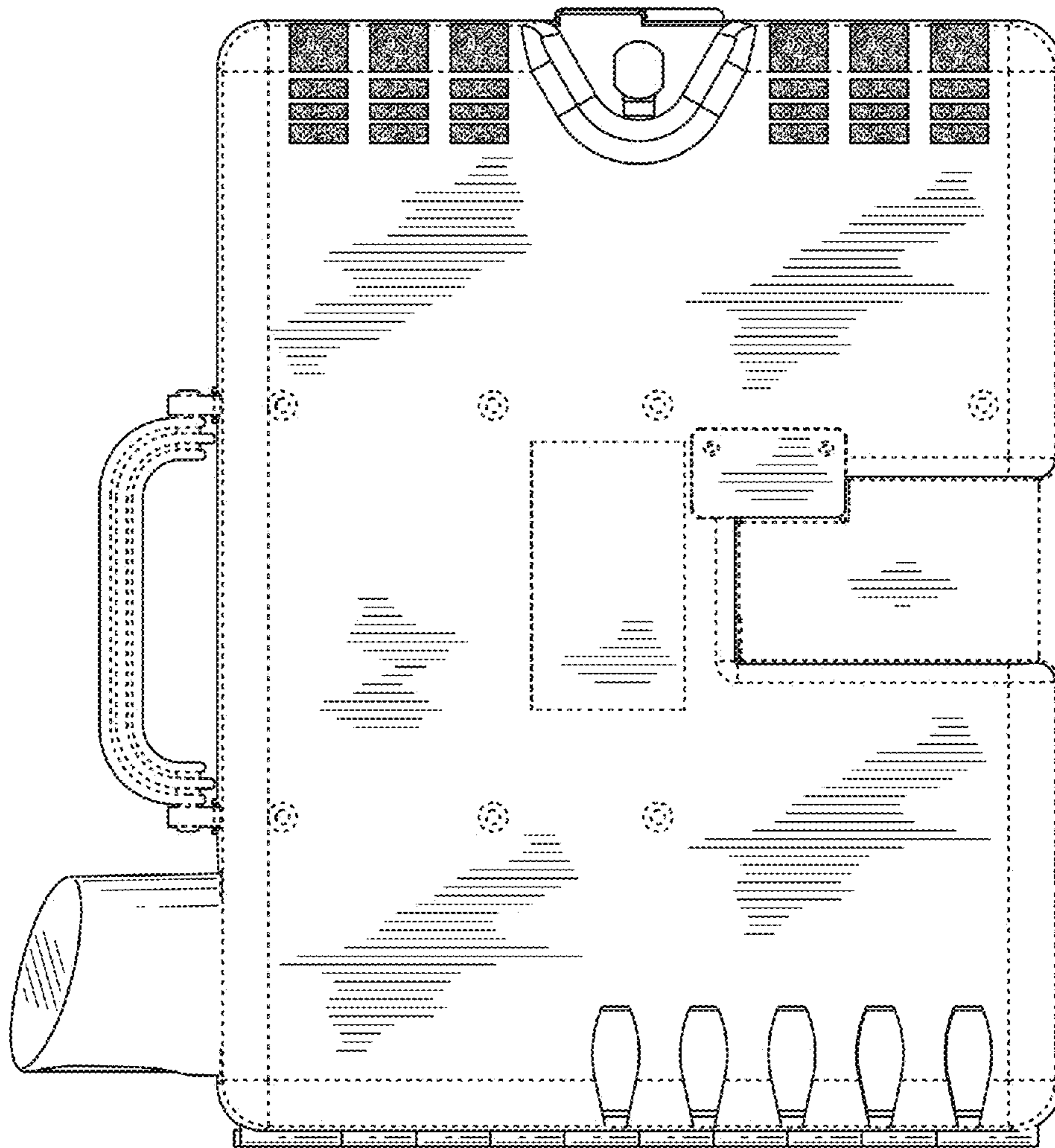


FIG. 11

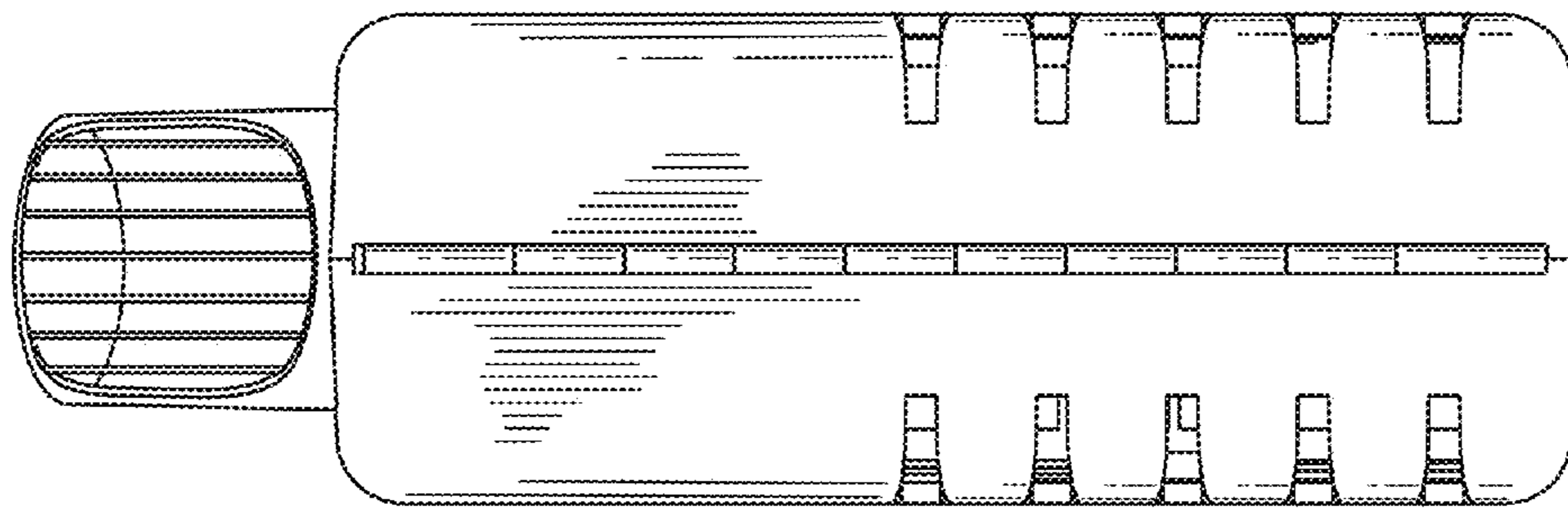


FIG. 13

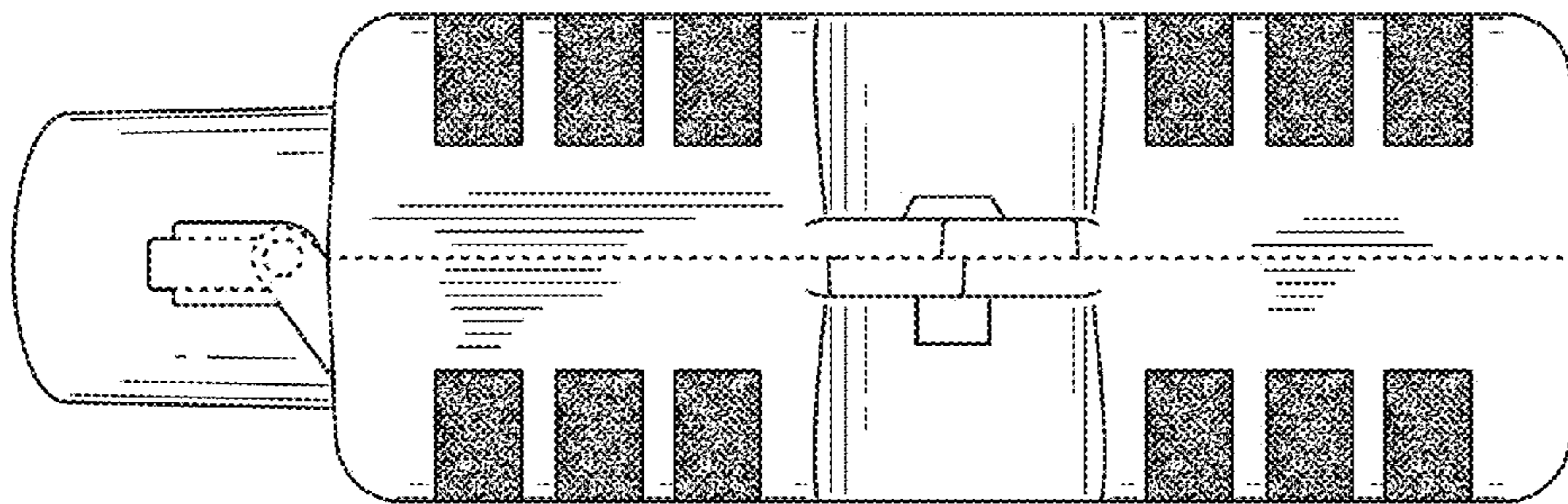


FIG. 12

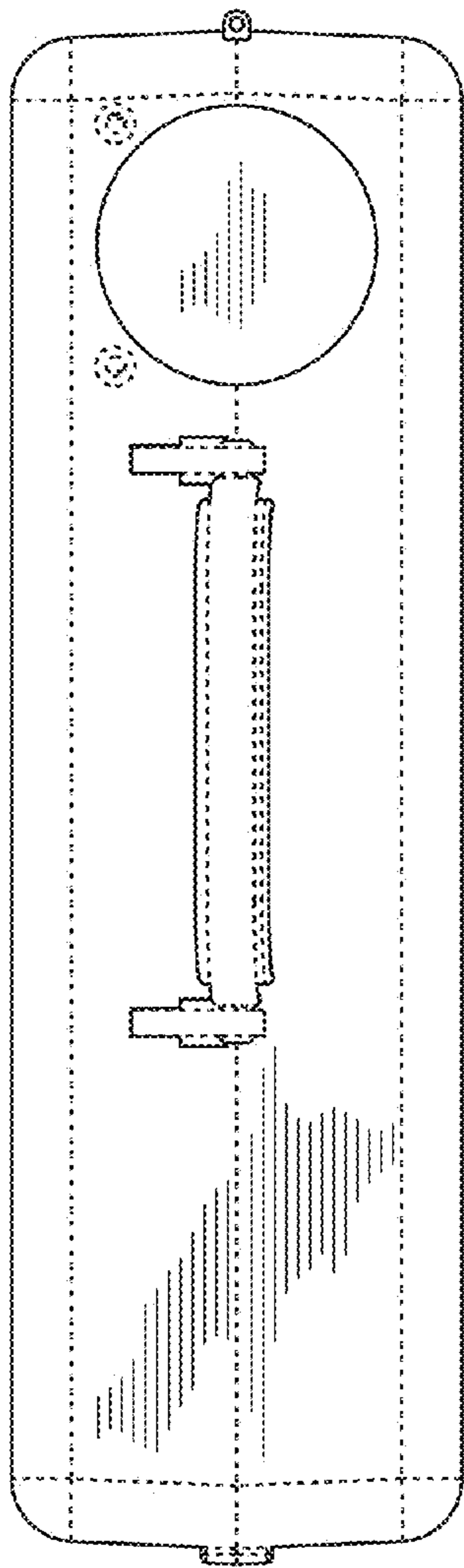


FIG. 14

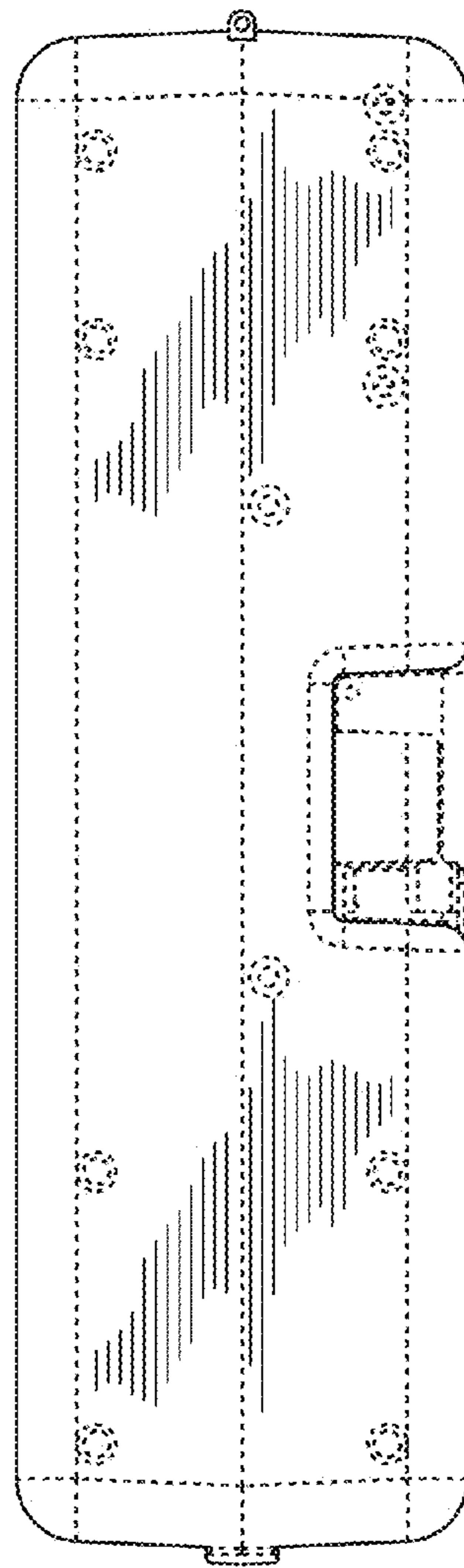


FIG. 15