

US00D745129S

(12) **United States Design Patent**  
**Nakagawa et al.**

(10) **Patent No.:** **US D745,129 S**  
(45) **Date of Patent:** **\*\* Dec. 8, 2015**

- (54) **INDUSTRIAL AIR CLEANER**
- (71) Applicant: **Amano Corporation**, Yokohama-shi, Kanagawa (JP)
- (72) Inventors: **Shohei Nakagawa**, Hamamatsu (JP); **Yoshiyuki Kisanuki**, Hamamatsu (JP); **Masaki Nishida**, Hamamatsu (JP)
- (73) Assignee: **Amano Corporation**, Kanagawa (JP)
- (\*\*) Term: **14 Years**
- (21) Appl. No.: **29/462,815**
- (22) Filed: **Aug. 8, 2013**
- (51) **LOC (10) Cl.** ..... **23-04**
- (52) **U.S. Cl.**  
USPC ..... **D23/364**
- (58) **Field of Classification Search**  
USPC ..... D23/314, 325, 329, 333, 334, 335, 342, D23/355, 356, 358, 359, 364, 386, 387, 388, D23/389, 390, 391  
CPC ..... A61L 9/00; A61L 9/20; A61L 9/205; A61L 9/01; A61L 9/015; A61L 9/14; A61L 9/16; F24F 1/00; F24F 3/16; F24F 3/166; F24F 3/1603; F24F 3/14; F24F 3/12; F24F 7/00; F24F 1/025; F24F 12/00; F24F 13/00; F24F 15/00; B03C 1/00; B03C 3/32; B03C 3/15; B03C 3/155; B03C 3/16  
See application file for complete search history.

5,056,331	A *	10/1991	Lotz	.....	62/237
5,099,652	A *	3/1992	Iida et al.	.....	62/89
D325,252	S *	4/1992	Morris et al.	.....	D23/364
5,281,246	A *	1/1994	Ray et al.	.....	55/302
5,942,017	A *	8/1999	Van Winkle, Sr.	.....	55/385.1
6,167,714	B1 *	1/2001	Baffes	.....	62/188
6,279,333	B1 *	8/2001	Cilli et al.	.....	62/237
6,405,549	B1 *	6/2002	Baffes	.....	62/188
6,418,744	B1 *	7/2002	Neal	.....	62/285
6,607,573	B1 *	8/2003	Chaurushia et al.	.....	55/356
6,616,720	B1 *	9/2003	Smith	.....	55/385.2
7,322,203	B2 *	1/2008	Widegren	.....	62/97
7,513,922	B2 *	4/2009	Cheng	.....	55/385.1
7,543,458	B1 *	6/2009	Wurth	.....	62/272
8,117,864	B2 *	2/2012	Montminy et al.	.....	62/419
D657,037	S *	4/2012	Lo	.....	D23/364
8,460,417	B2 *	6/2013	Reid et al.	.....	55/356
2010/0263344	A1 *	10/2010	Haynam et al.	.....	55/493

\* cited by examiner

*Primary Examiner* — Eric Goodman

*Assistant Examiner* — Bao-Yen Nguyen

(74) *Attorney, Agent, or Firm* — Fitch Even Tabin & Flannery LLP

(57) **CLAIM**

We claim the ornamental design for an industrial air cleaner, as shown and described.

**DESCRIPTION**

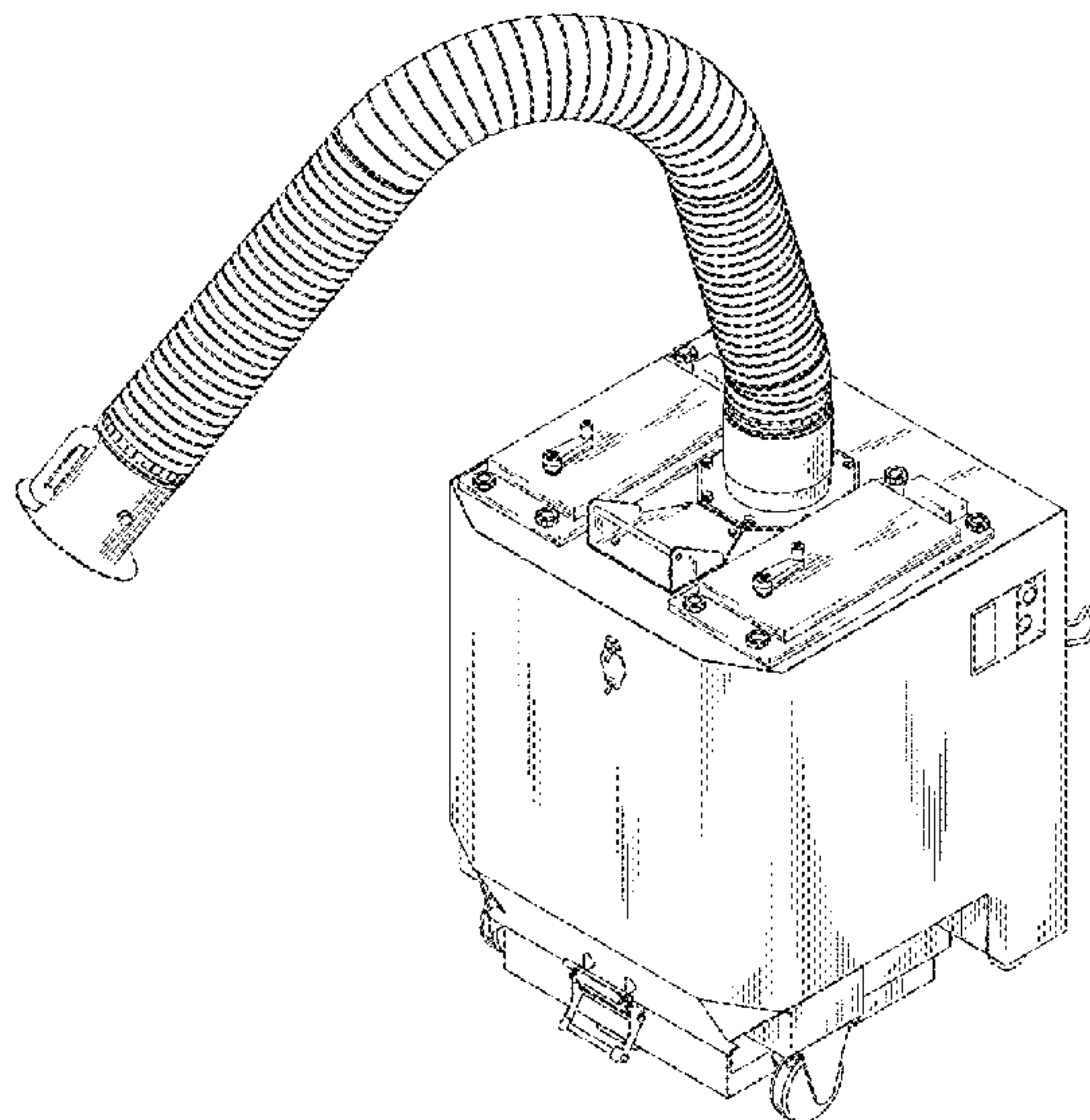
FIG. 1 is a perspective view of an industrial air cleaner showing our new design;  
 FIG. 2 is a front elevational view thereof;  
 FIG. 3 is a rear elevational view thereof;  
 FIG. 4 is a right side elevational view thereof;  
 FIG. 5 is a left side elevational view thereof;  
 FIG. 6 is a top plan view thereof; and,  
 FIG. 7 is a bottom plan view thereof.  
 Portions of the claimed design shown in broken lines form no part of the claimed design.

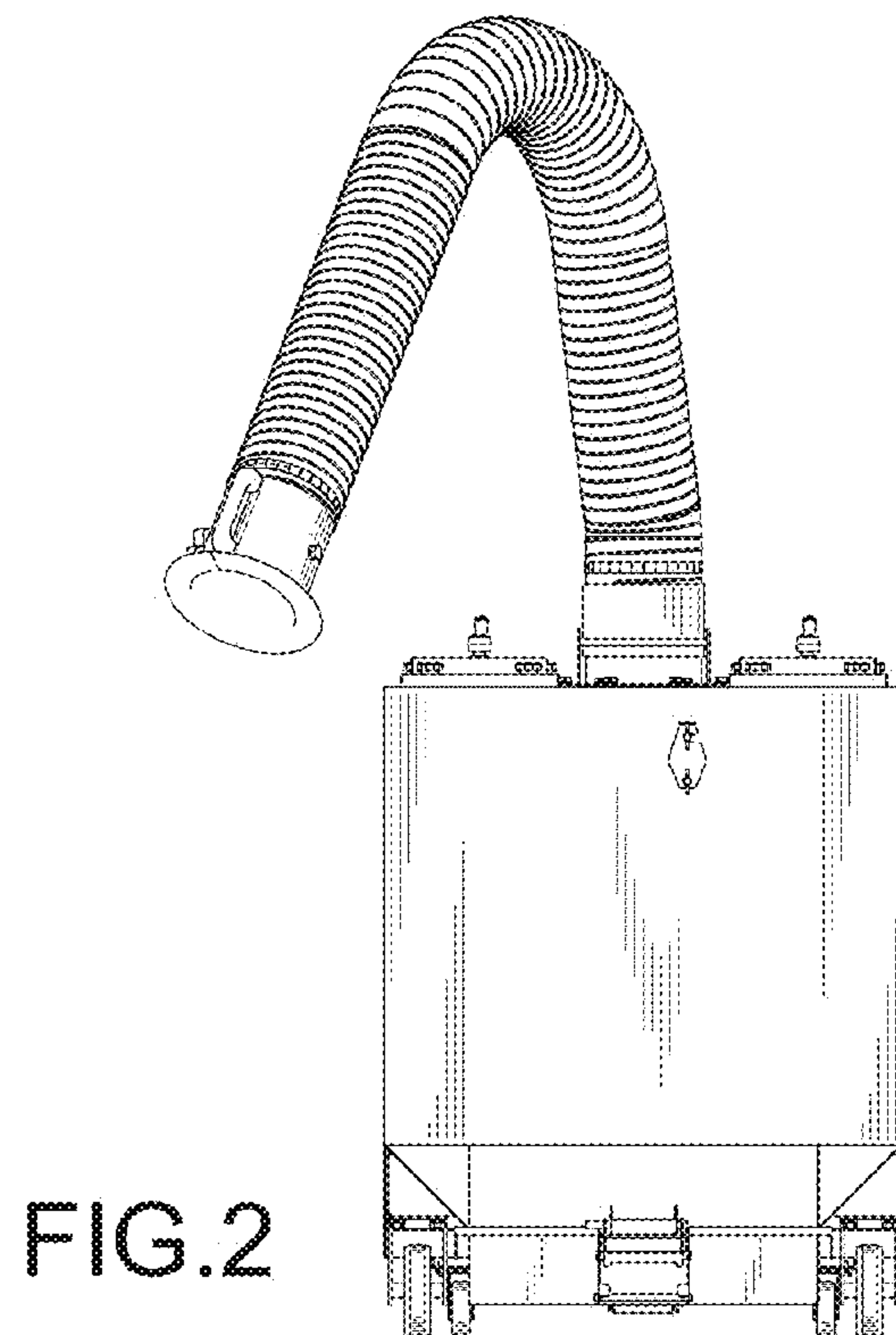
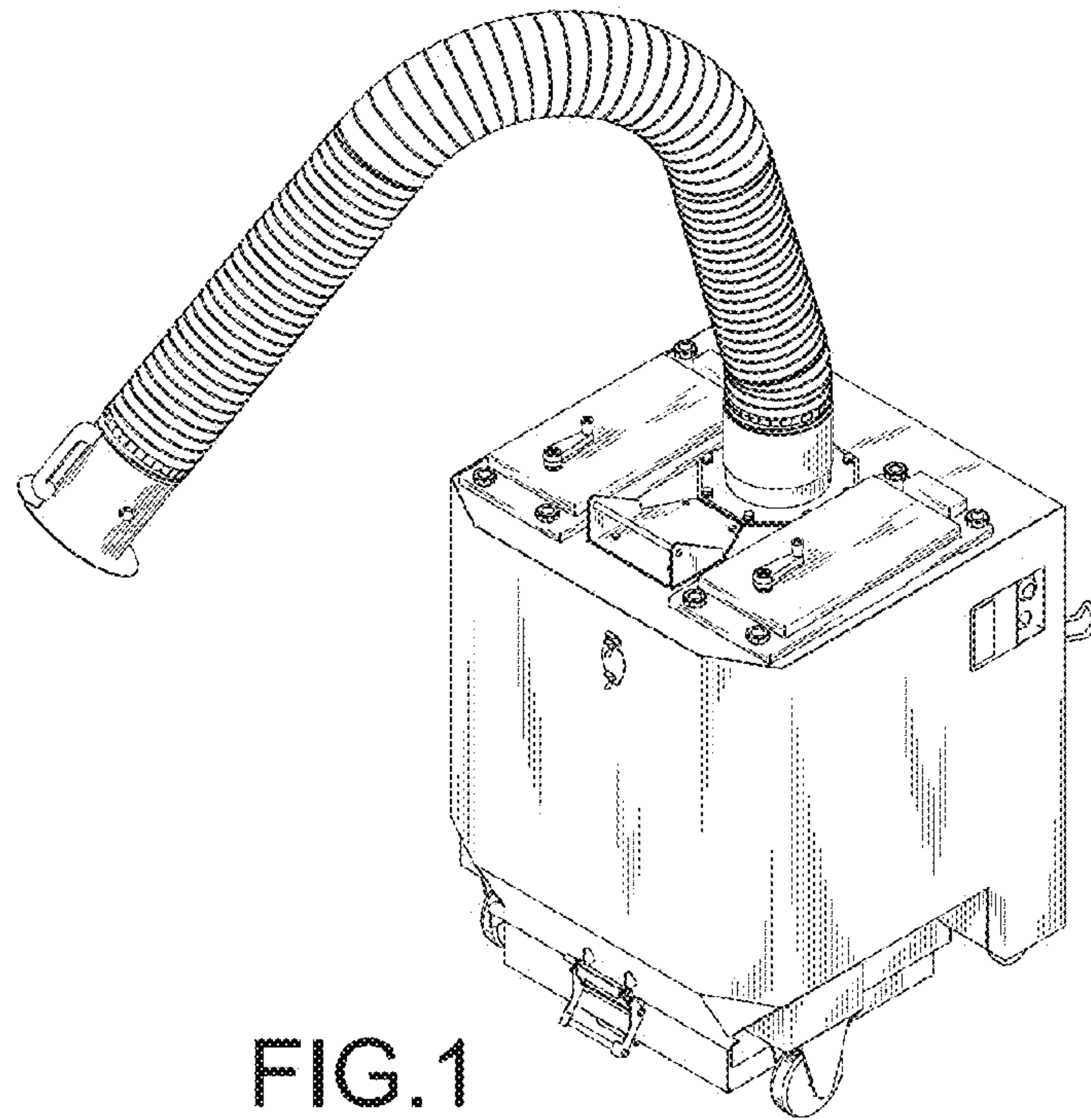
**1 Claim, 4 Drawing Sheets**

(56) **References Cited**

U.S. PATENT DOCUMENTS

3,777,506	A *	12/1973	Hergatt et al.	.....	62/237
4,272,967	A *	6/1981	White et al.	.....	62/236
4,632,019	A *	12/1986	Whiteman	.....	454/76
D304,854	S *	11/1989	Stackhouse et al.	.....	D23/365
4,939,809	A *	7/1990	Park	.....	15/328
5,031,690	A *	7/1991	Anderson et al.	.....	165/43





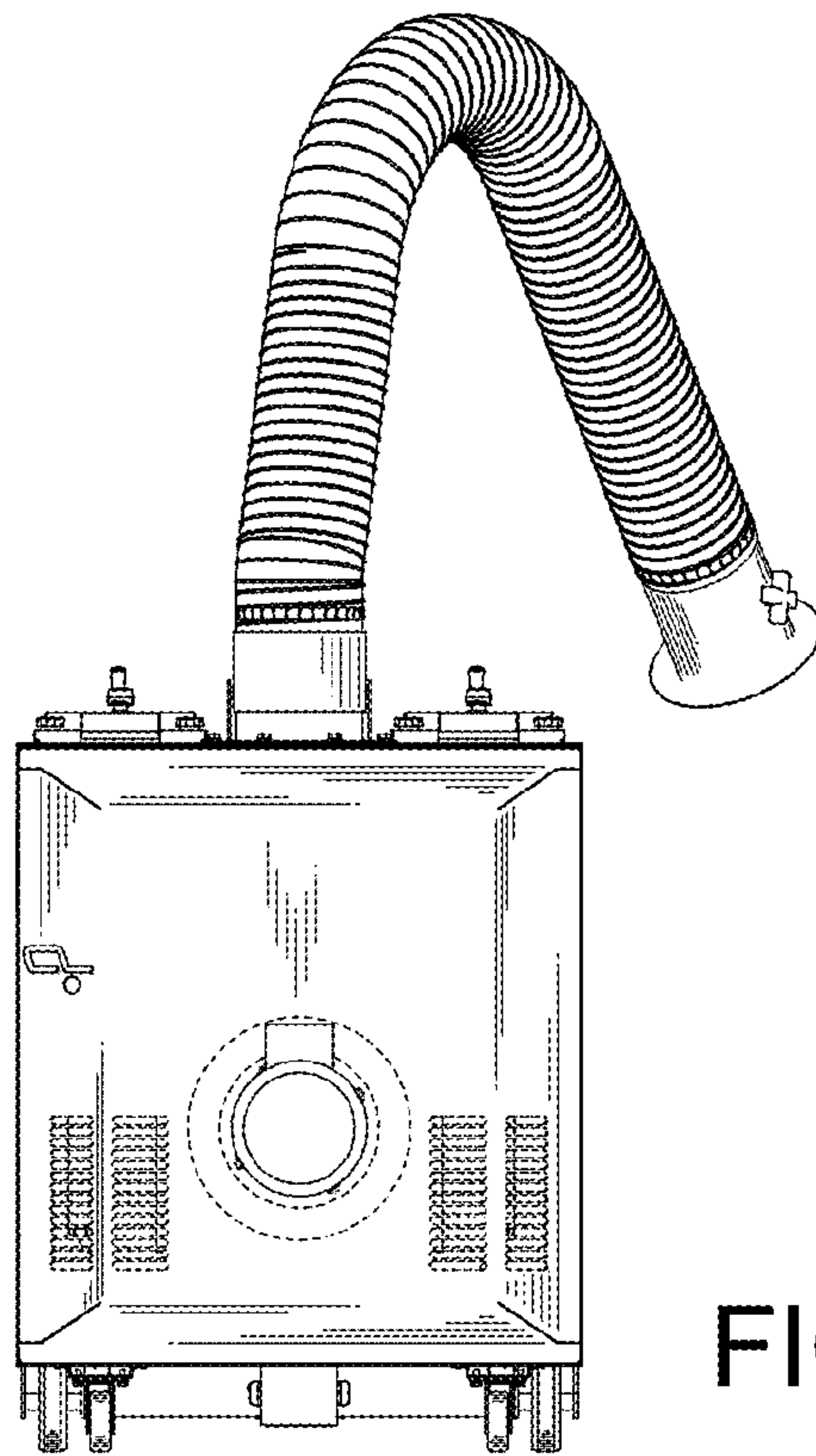


FIG. 3

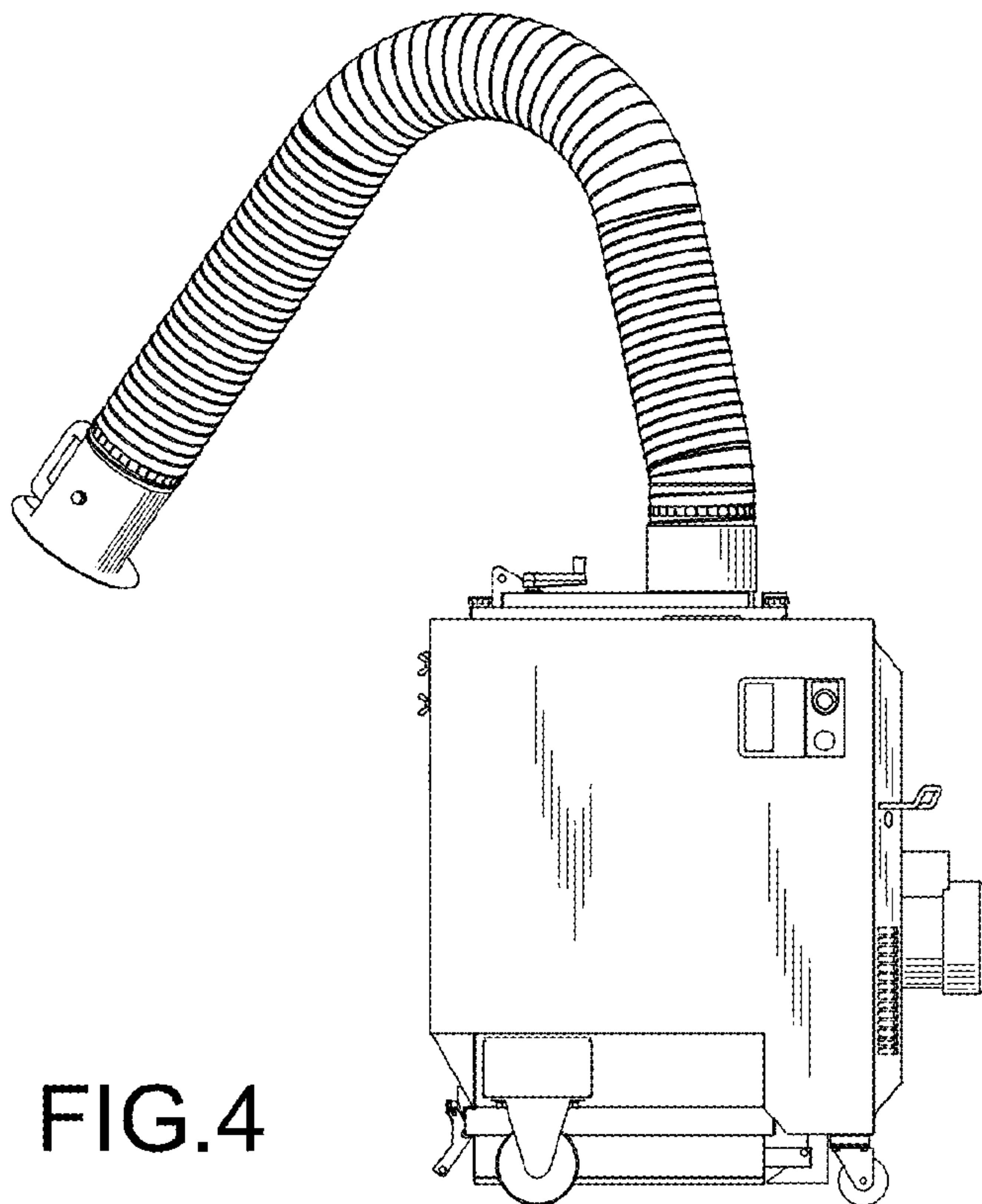


FIG. 4



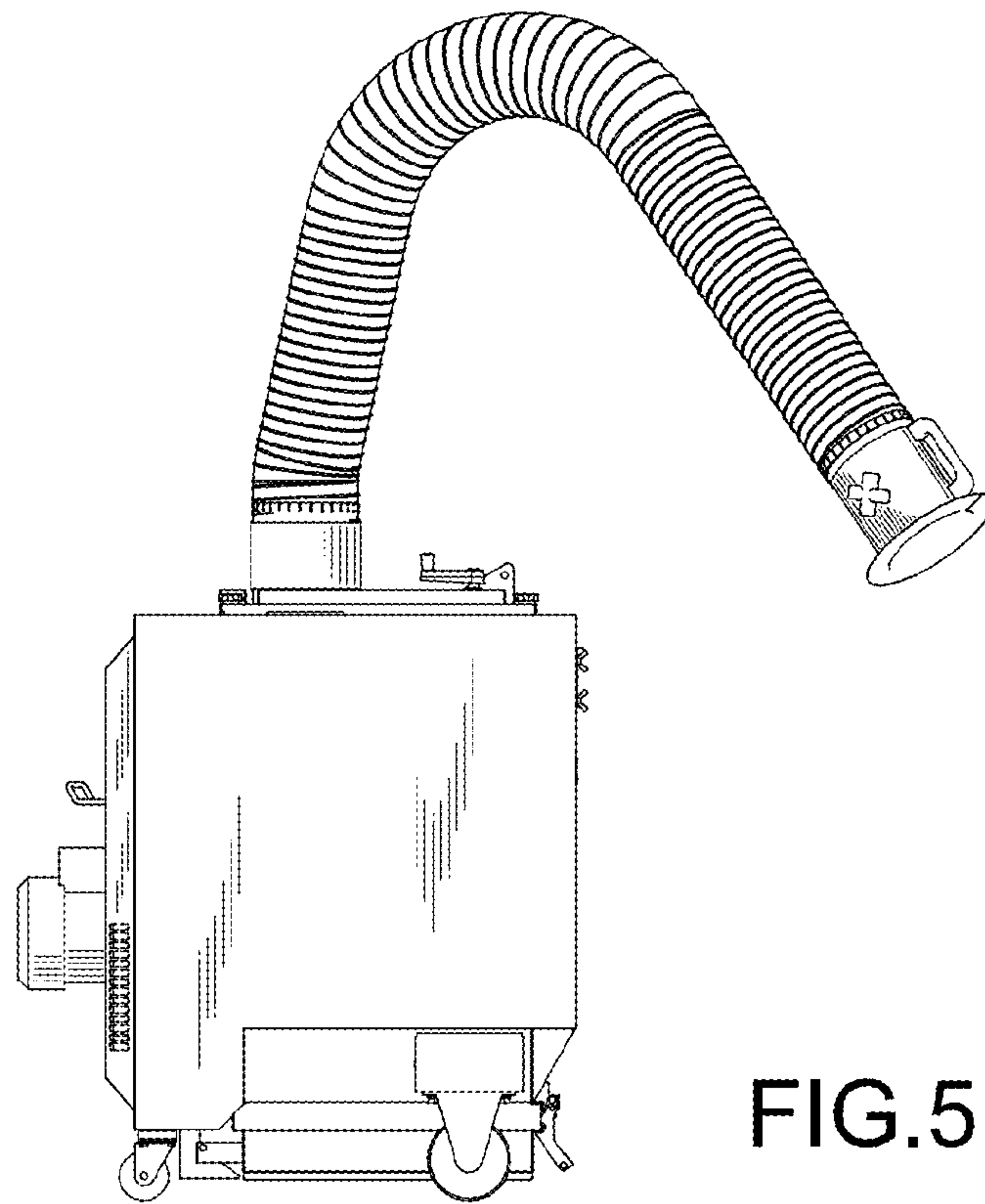


FIG. 5

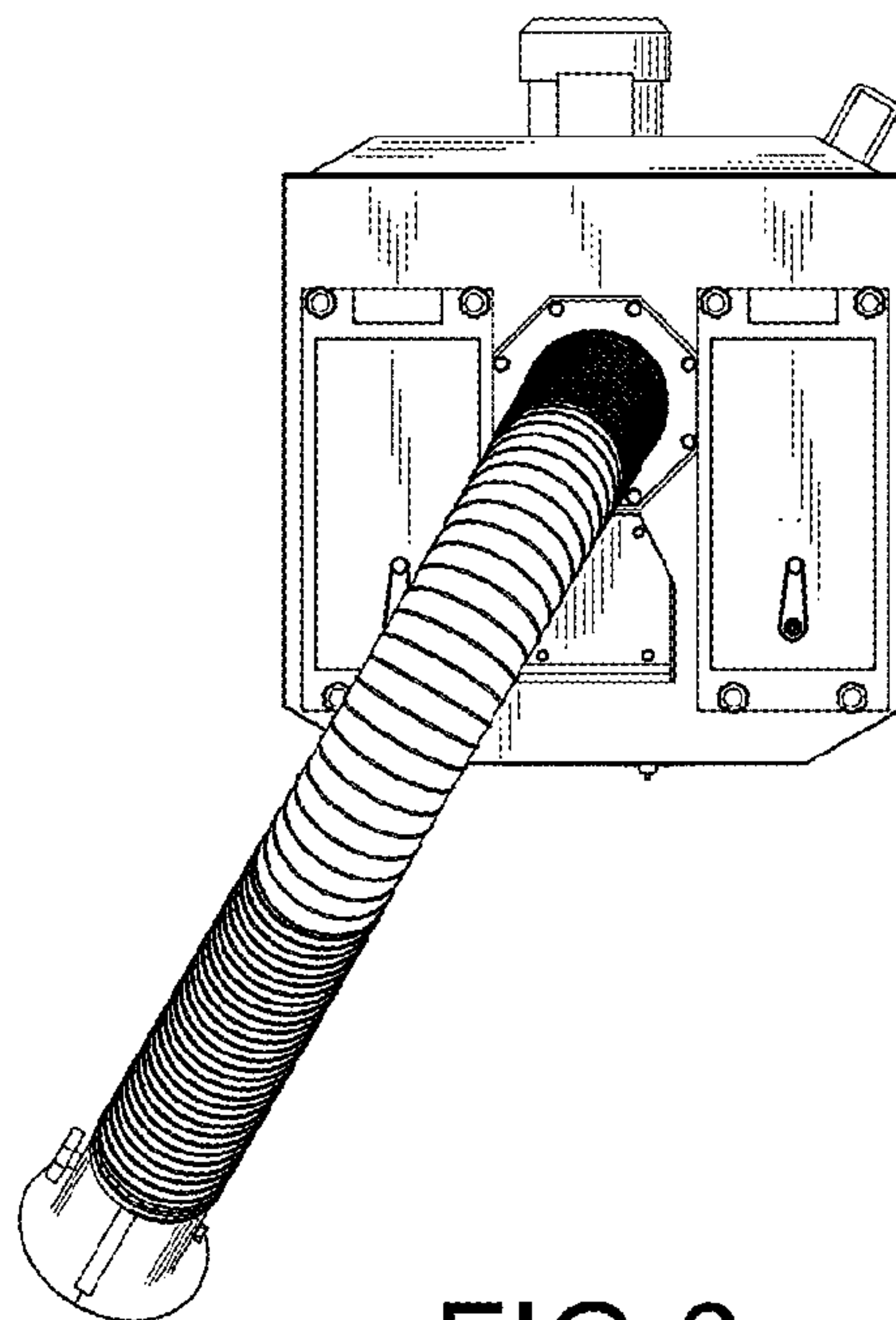


FIG. 6

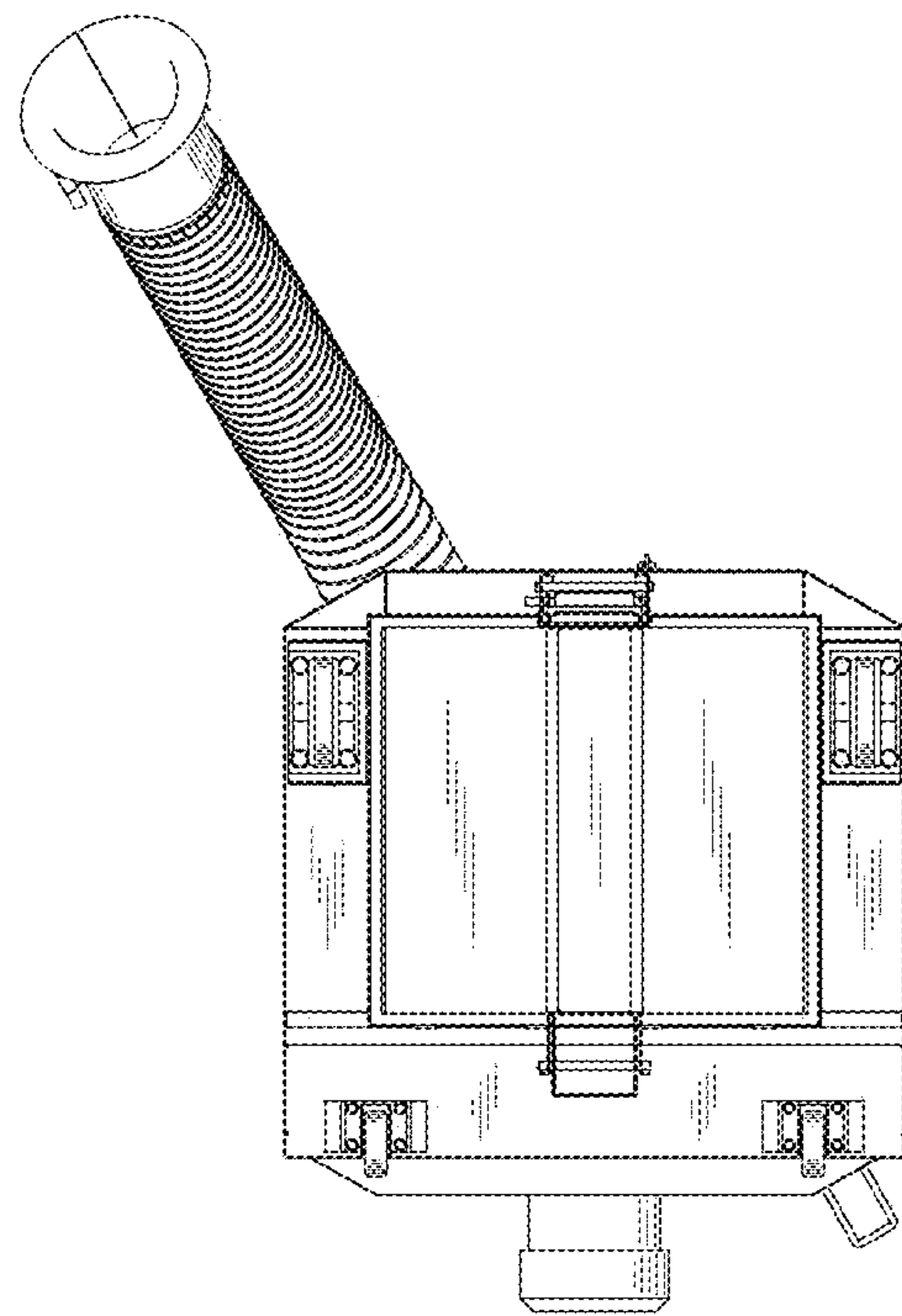


FIG.7