



US00D745127S

(12) **United States Design Patent**
Eilmus et al.

(10) **Patent No.:** **US D745,127 S**
(45) **Date of Patent:** **** Dec. 8, 2015**

- (54) **SINK**
- (71) Applicant: **Kohler Co.**, Kohler, WI (US)
- (72) Inventors: **Niels J. Eilmus**, Sheboygan, WI (US);
Jason R. Miller, Sheboygan Falls, WI (US)
- (73) Assignee: **KOHLER CO.**, Kohler, WI (US)
- (**) Term: **14 Years**
- (21) Appl. No.: **29/524,581**
- (22) Filed: **Apr. 21, 2015**

- D498,291 S 11/2004 Bayer
- D504,496 S 4/2005 Bayer
- D505,188 S 5/2005 Bayer
- D544,947 S 6/2007 Taylor
- D570,459 S 6/2008 Kitzmiller
- D570,969 S 6/2008 Kitzmiller
- D647,605 S 10/2011 Booth

Primary Examiner — Robert Delehanty
(74) *Attorney, Agent, or Firm* — Foley & Lardner LLP

(57) **CLAIM**
We claim the ornamental design for a sink, as shown and described.

DESCRIPTION

FIG. 1 is a perspective view of an embodiment of the claimed design;
 FIG. 2 is another perspective view of the claimed design of FIG. 1;
 FIG. 3 is a top view of the claimed design of FIG. 1;
 FIG. 4 is a bottom view of the claimed design of FIG. 1;
 FIG. 5 is a rear view of the claimed design of FIG. 1;
 FIG. 6 is a front view of the claimed design of FIG. 1;
 FIG. 7 is a left-side view of the claimed design of FIG. 1;
 FIG. 8 is a right-side view of the claimed design of FIG. 1;
 FIG. 9 is a cross-sectional view of the claimed design of FIG. 1 taken along line 9-9 in FIG. 3; and,
 FIG. 10 is a cross-sectional view of the claimed design of FIG. 1 taken along line 10-10 in FIG. 3.
 The ornamental design which is claimed is shown in solid lines in the drawings. The broken lines in the drawings are for illustrative purposes only and form no part of the claimed design. The dash-dot lines in the drawings define boundaries of the claimed design and form no part thereof.

Related U.S. Application Data

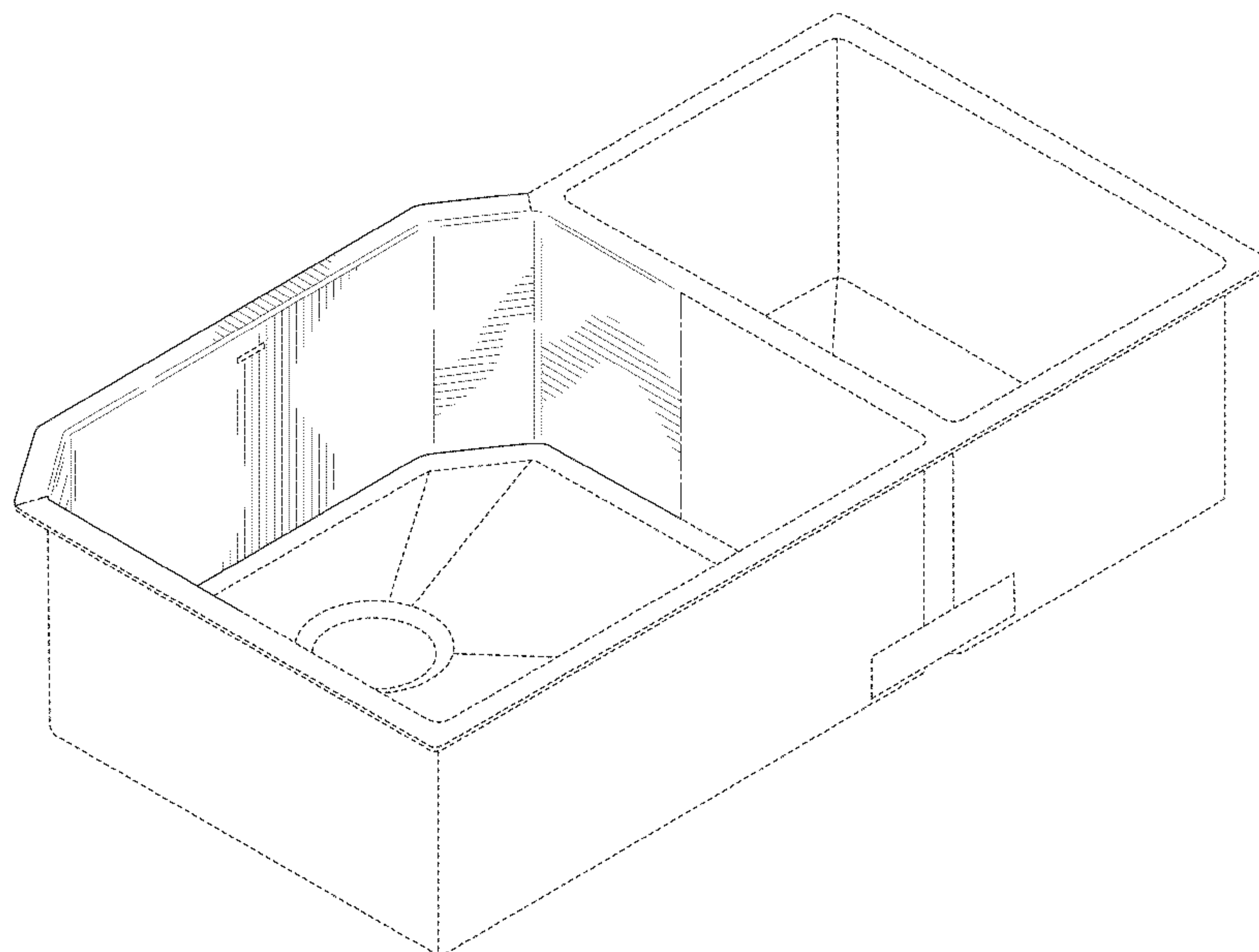
- (62) Division of application No. 29/495,385, filed on Jun. 30, 2014, now Pat. No. Des. 729,912, which is a division of application No. 29/482,721, filed on Feb. 21, 2014, now Pat. No. Des. 710,981, which is a division of application No. 29/445,781, filed on Feb. 15, 2013, now Pat. No. Des. 702,332.
- (51) **LOC (10) Cl.** **23-02**
- (52) **U.S. Cl.**
USPC **D23/308**
- (58) **Field of Classification Search**
USPC D23/272-274, 284, 286, 292-293.1,
D23/303, 308; 4/619, 639
See application file for complete search history.

(56) **References Cited**

U.S. PATENT DOCUMENTS

- D259,439 S 6/1981 Doman
- D318,104 S 7/1991 Blanc et al.
- D353,652 S 12/1994 Dannenberg

1 Claim, 10 Drawing Sheets



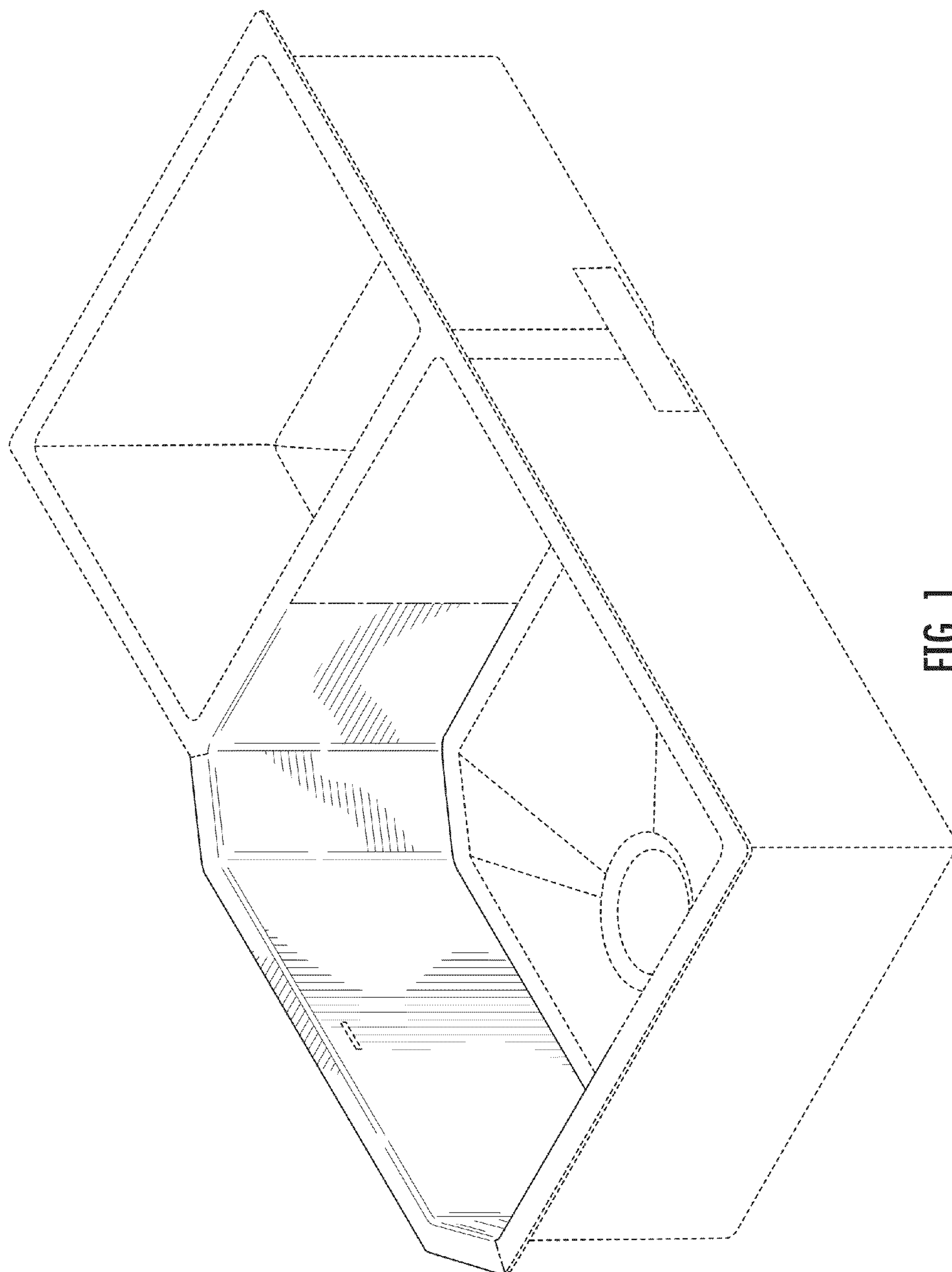


FIG. 1

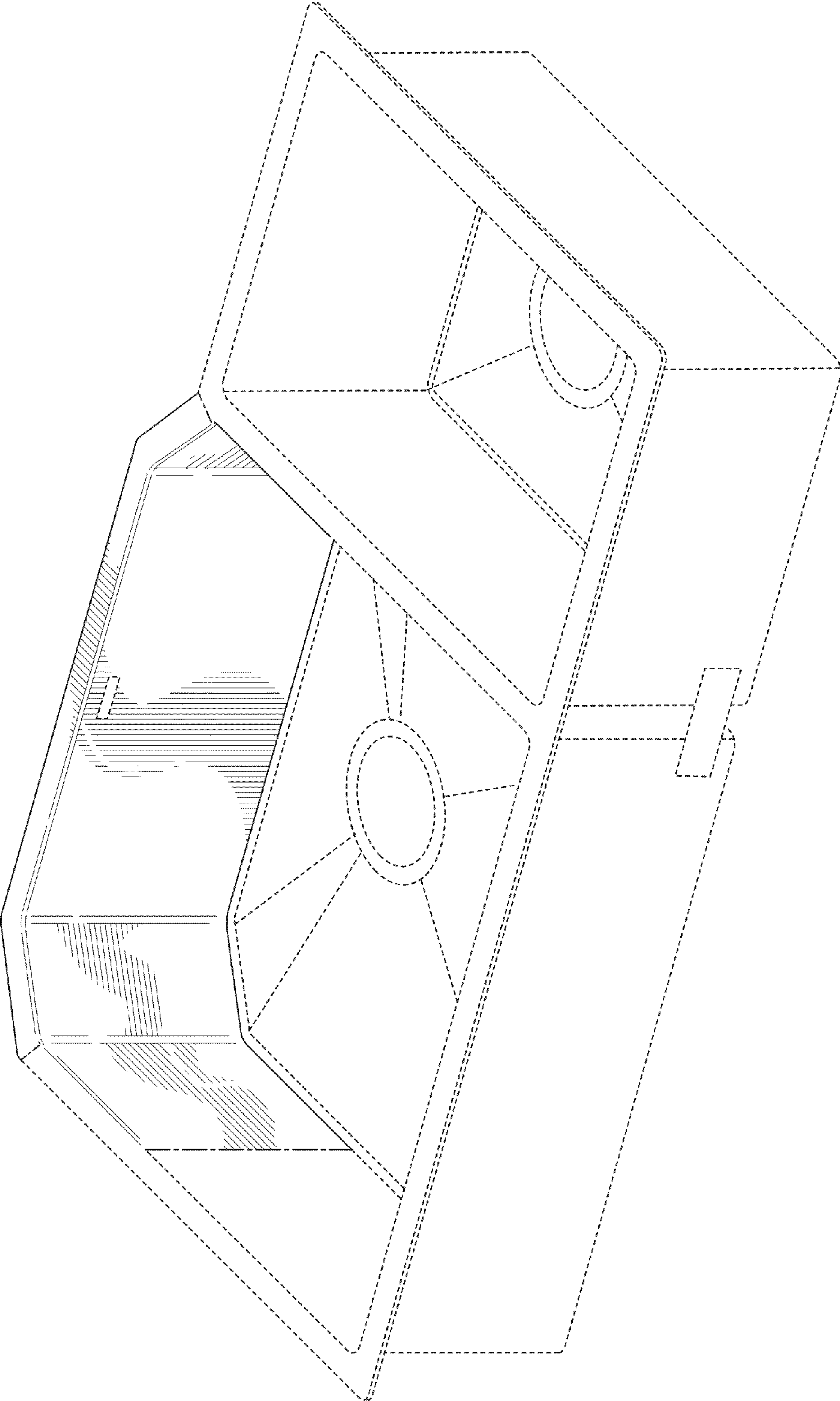


FIG. 2

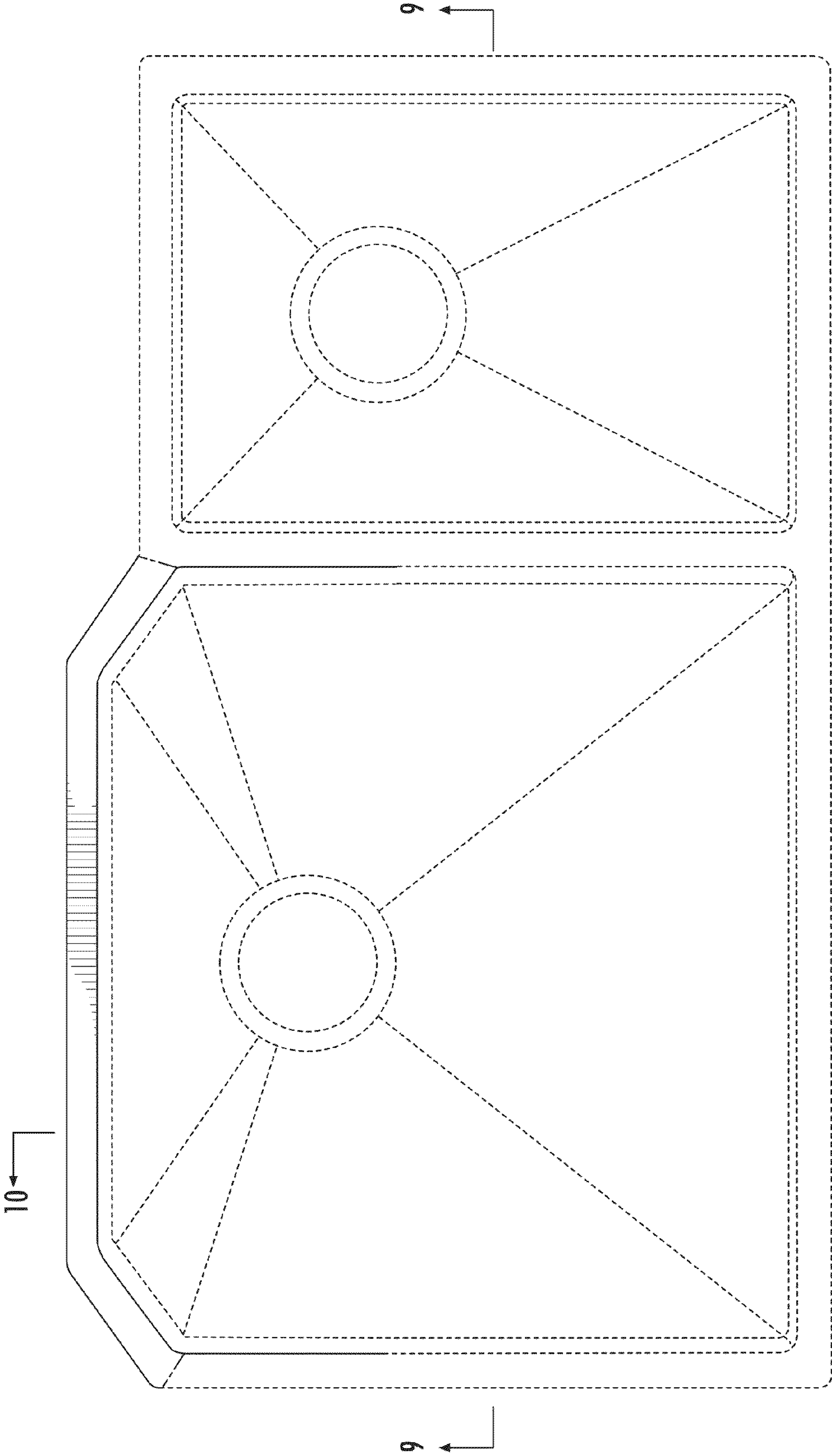


FIG. 3

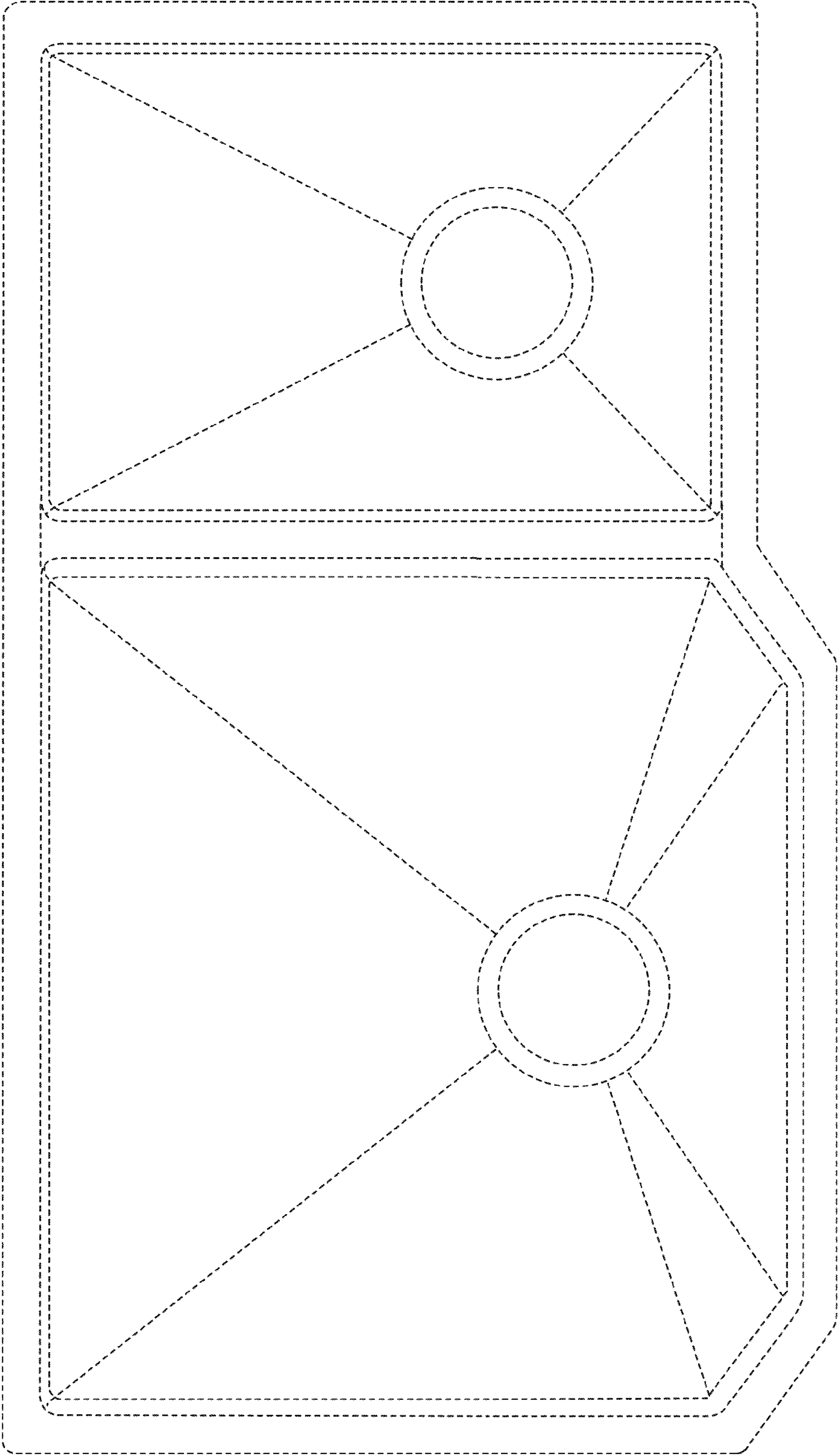


FIG. 4

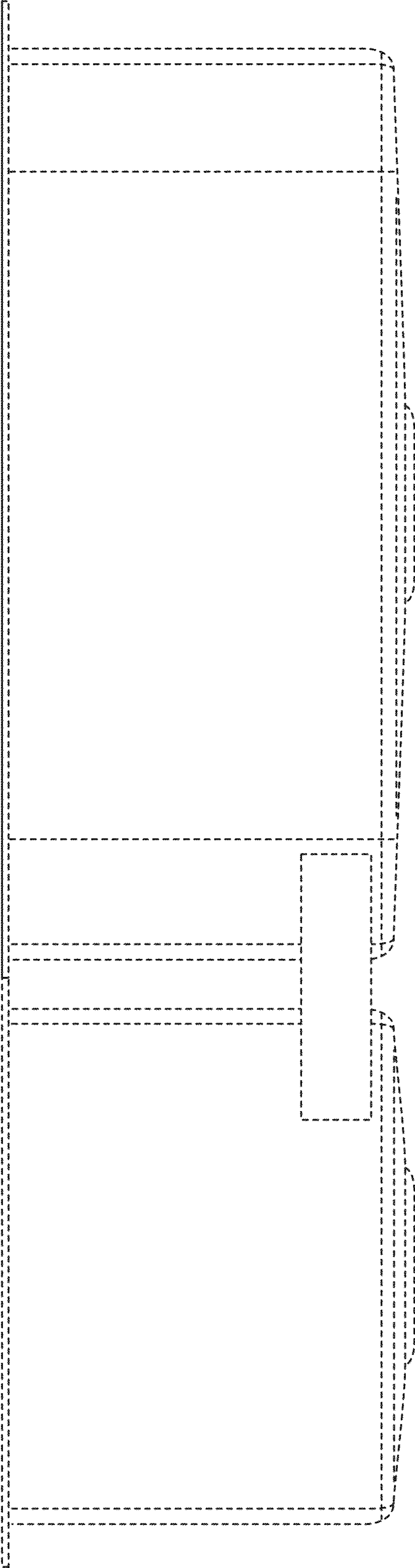


FIG. 5

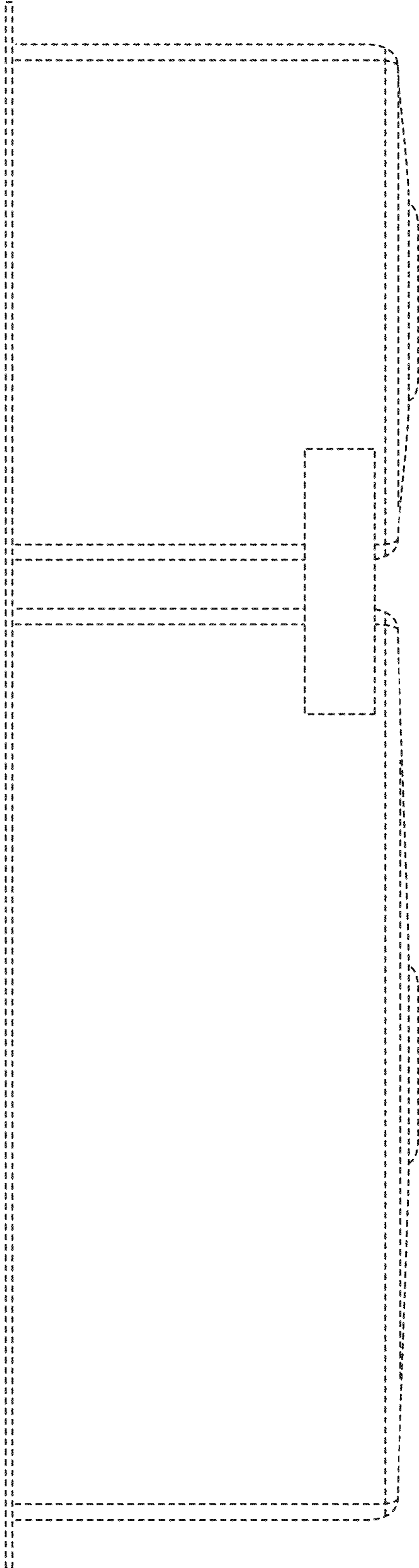


FIG. 6

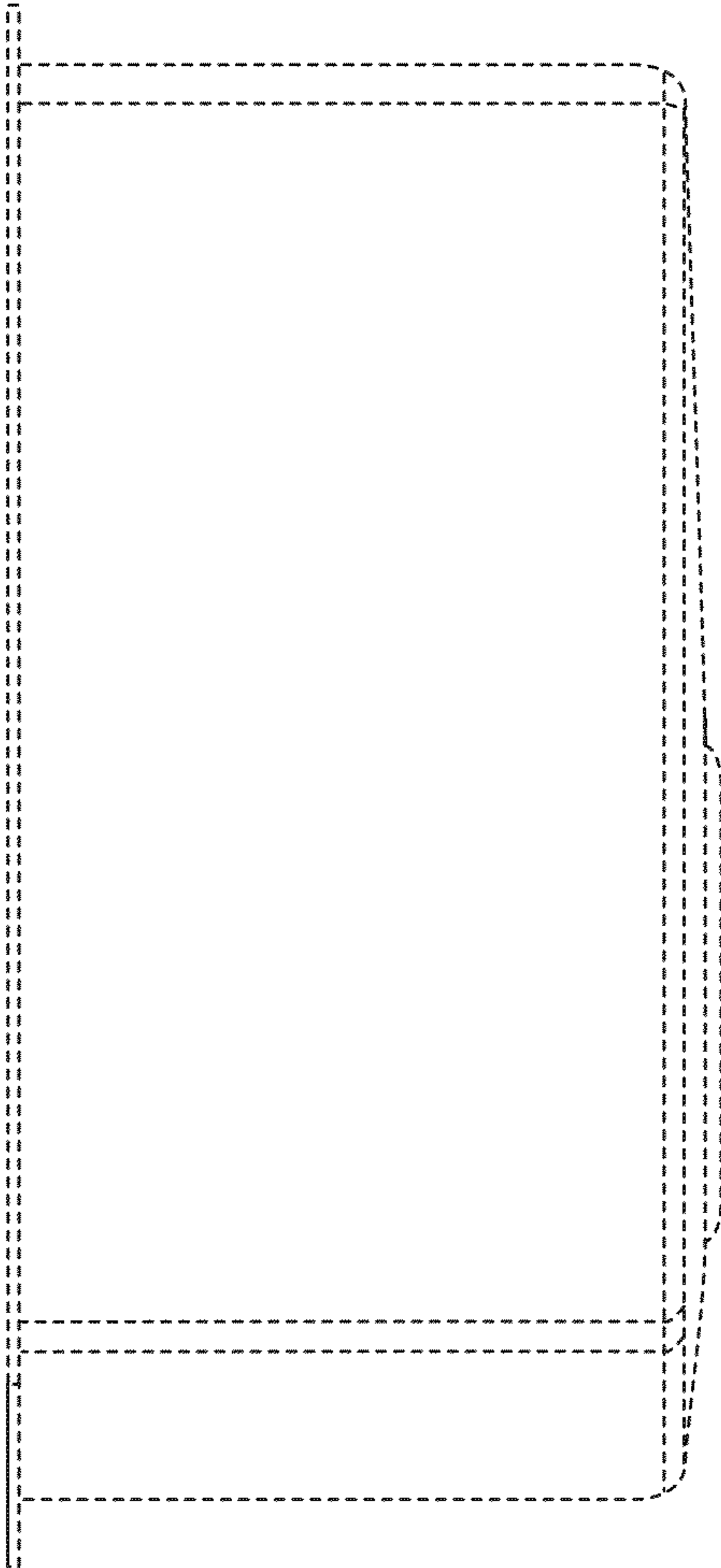


FIG. 7

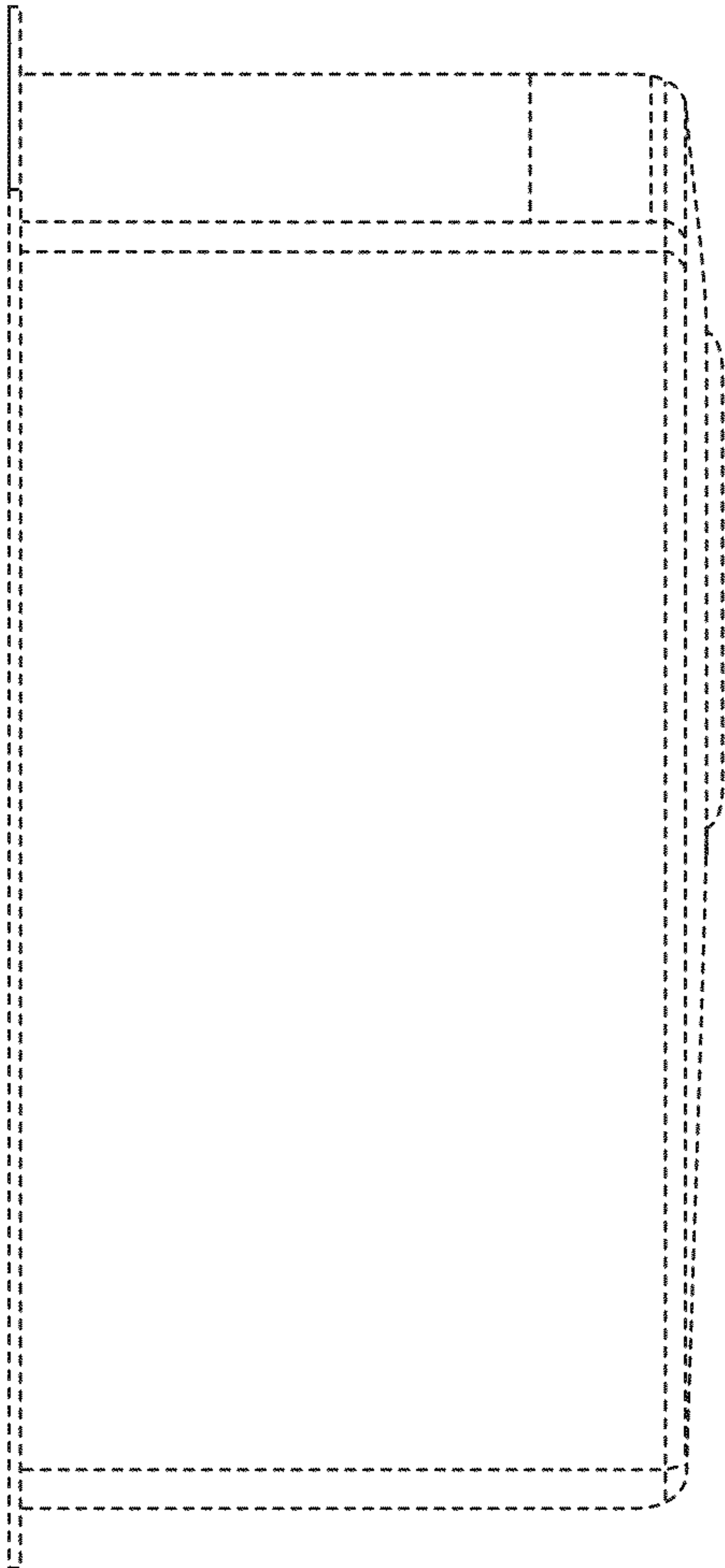


FIG. 8

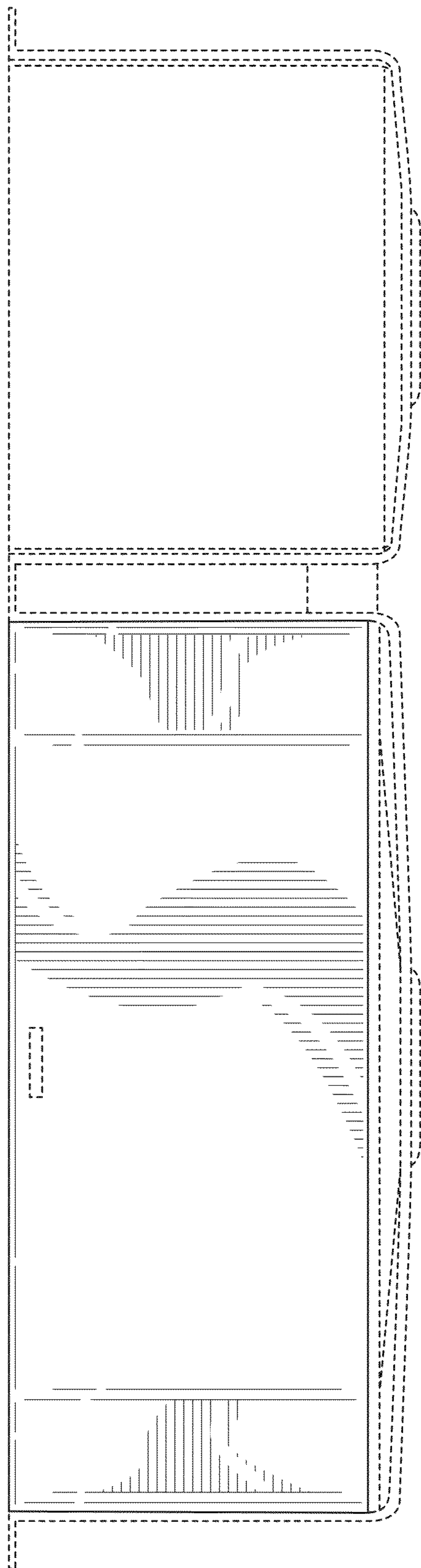


FIG. 9

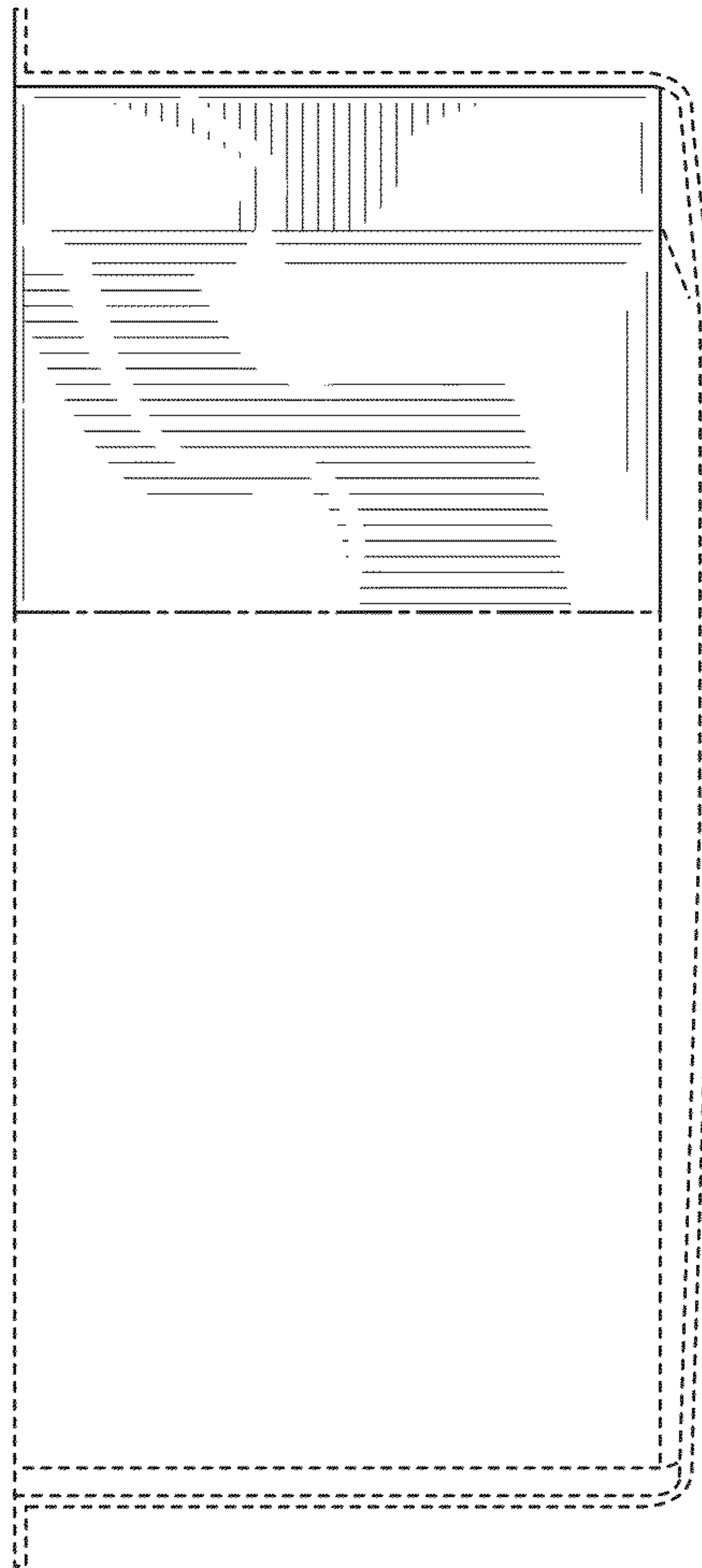


FIG. 10