



US00D745125S

(12) **United States Design Patent**
Fullerton, Jr. et al.

(10) **Patent No.:** **US D745,125 S**
(45) **Date of Patent:** **** Dec. 8, 2015**

(54) **TOILET**

(71) Applicant: **Kohler Co.**, Kohler, WI (US)

(72) Inventors: **Benjamin B. Fullerton, Jr.**,
Oconomowoc, WI (US); **Mary J. Reid**,
Sheboygan, WI (US)

(73) Assignee: **KOHLER CO.**, Kohler, WI (US)

(**) Term: **14 Years**

(21) Appl. No.: **29/516,907**

(22) Filed: **Feb. 6, 2015**

Related U.S. Application Data

(62) Division of application No. 29/499,577, filed on Aug. 15, 2014, now Pat. No. Des. 724,713, which is a division of application No. 29/470,459, filed on Oct. 22, 2013, now Pat. No. Des. 712,525.

(51) **LOC (10) Cl.** **23-02**

(52) **U.S. Cl.**
USPC **D23/301**

(58) **Field of Classification Search**
USPC D23/295, 301, 303, 309, 313; 4/353,
4/420, DIG. 15

See application file for complete search history.

(56) **References Cited**

U.S. PATENT DOCUMENTS

D397,214 S 8/1998 Felker
D437,634 S 2/2001 Hundley
D465,272 S 11/2002 Gordon
D672,441 S 12/2012 Kennedy

Primary Examiner — Robert Delehanty

(74) *Attorney, Agent, or Firm* — Foley & Lardner LLP

(57) **CLAIM**

We claim the ornamental design for a toilet, as shown and described.

DESCRIPTION

FIG. 1 is a perspective view of an exemplary embodiment of the claimed design;

FIG. 2 is a side view of the embodiment of the claimed design shown in FIG. 1;

FIG. 3 is another side view of the embodiment of the claimed design shown in FIG. 1;

FIG. 4 is a front view of the embodiment of the claimed design shown in FIG. 1;

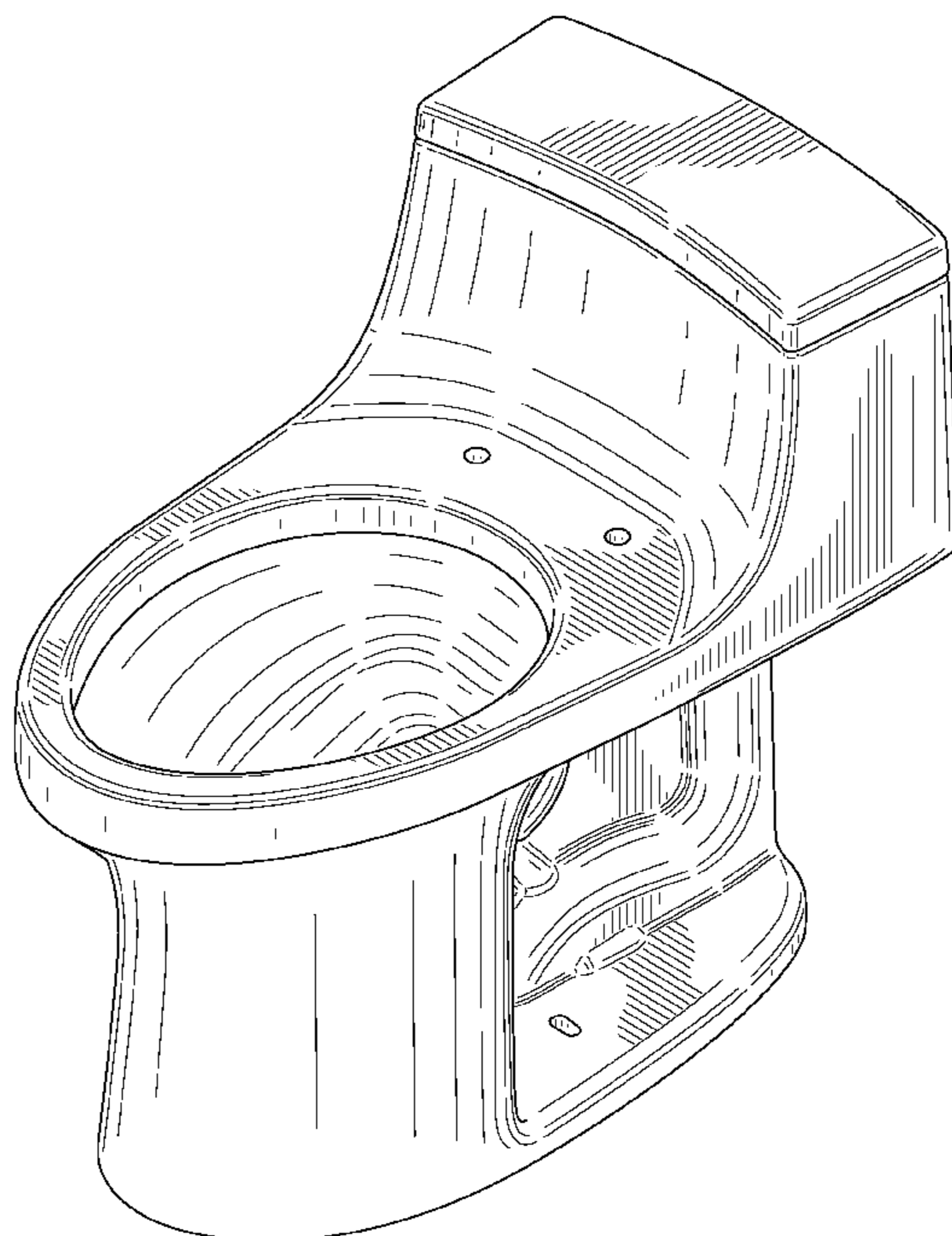
FIG. 5 is a rear view of the embodiment of the claimed design shown in FIG. 1;

FIG. 6 is a top view of the embodiment of the claimed design shown in FIG. 1; and,

FIG. 7 is a bottom view of the embodiment of the claimed design shown in FIG. 1.

The ornamental design which is claimed is shown in solid lines in the drawings. The broken lines in the drawings are for illustrative purposes only and form no part of the claimed design. Broken lines formed by equal length dashes show unclaimed portions of the design.

1 Claim, 7 Drawing Sheets



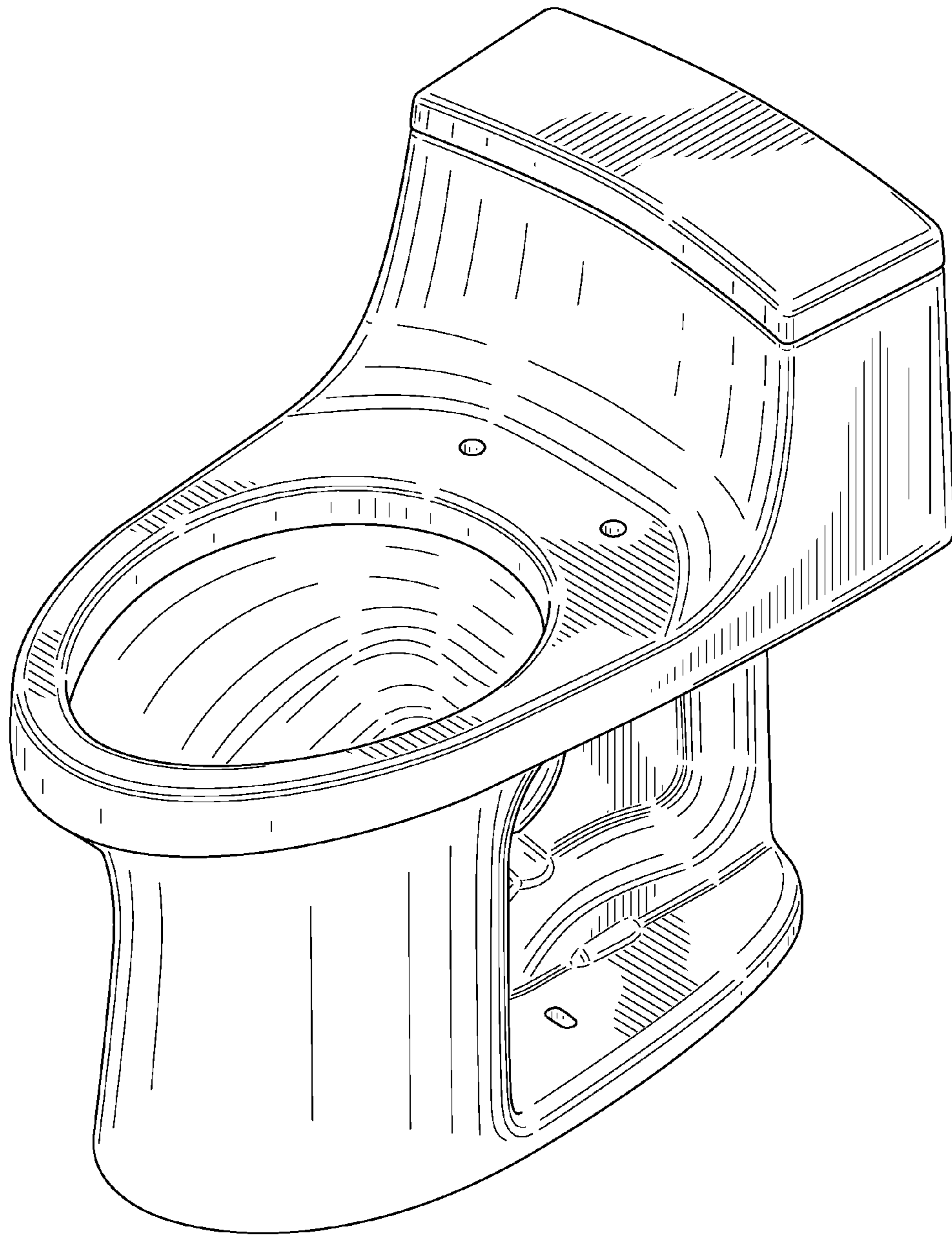


FIG. 1

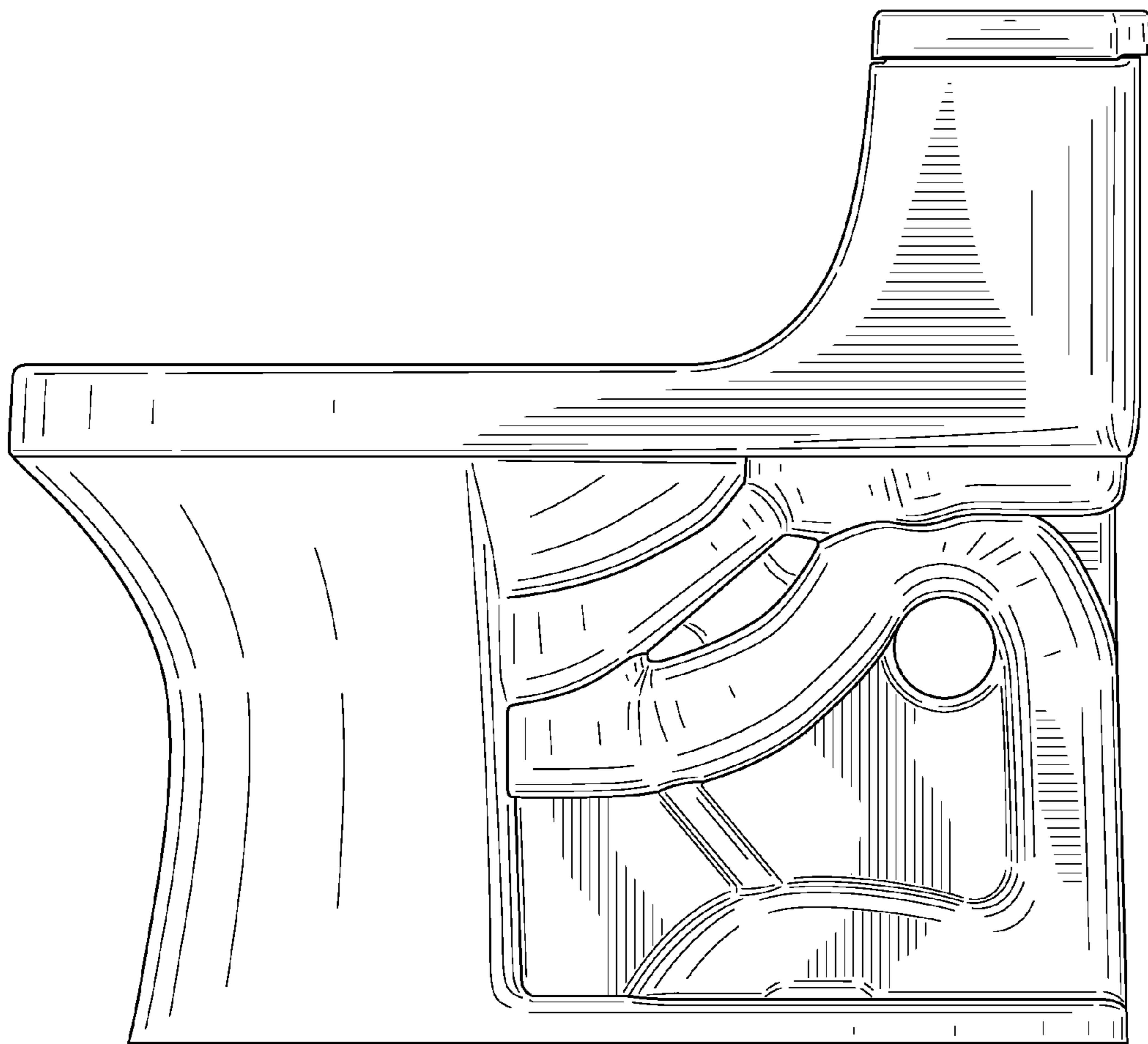


FIG. 2

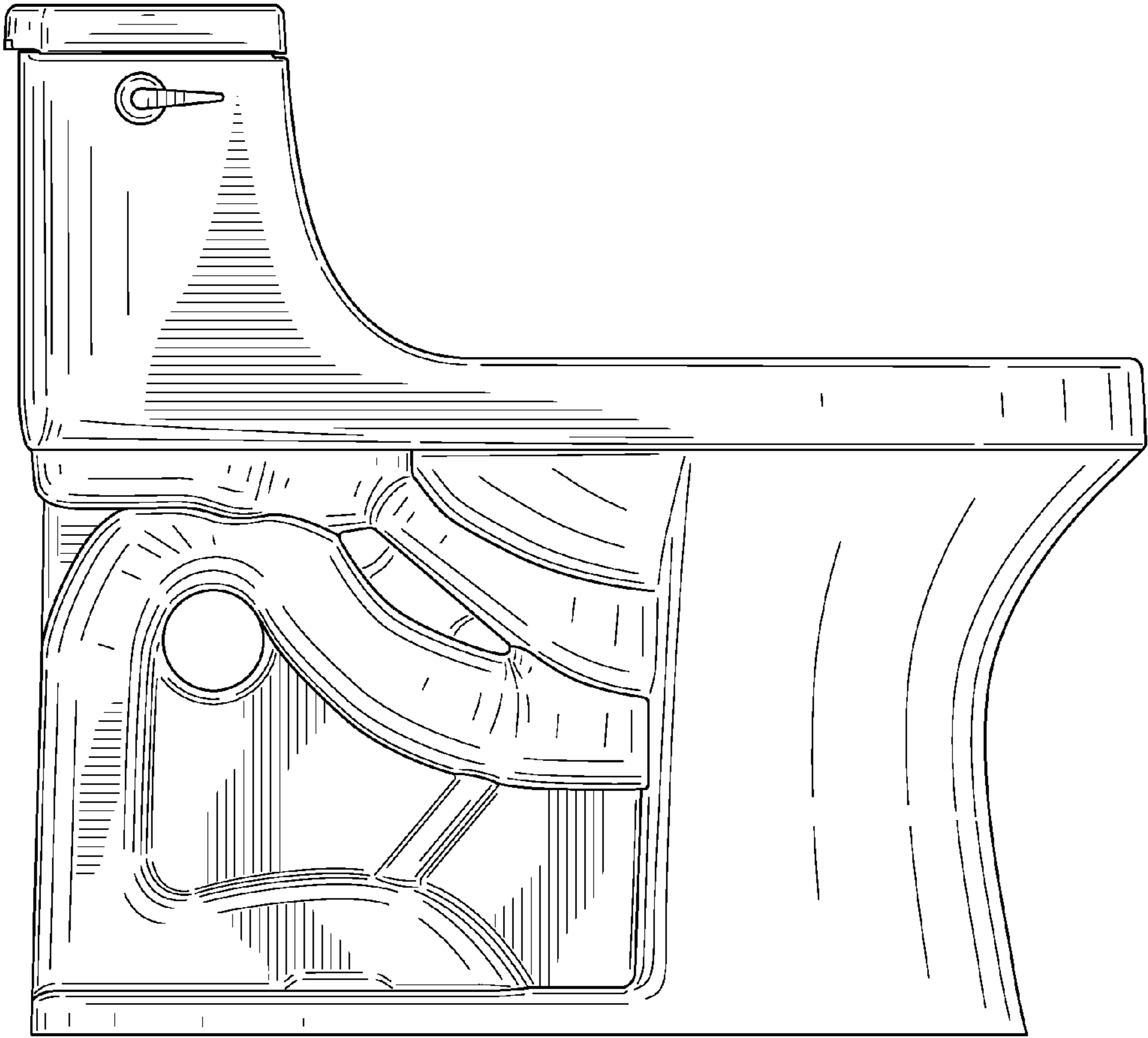


FIG. 3

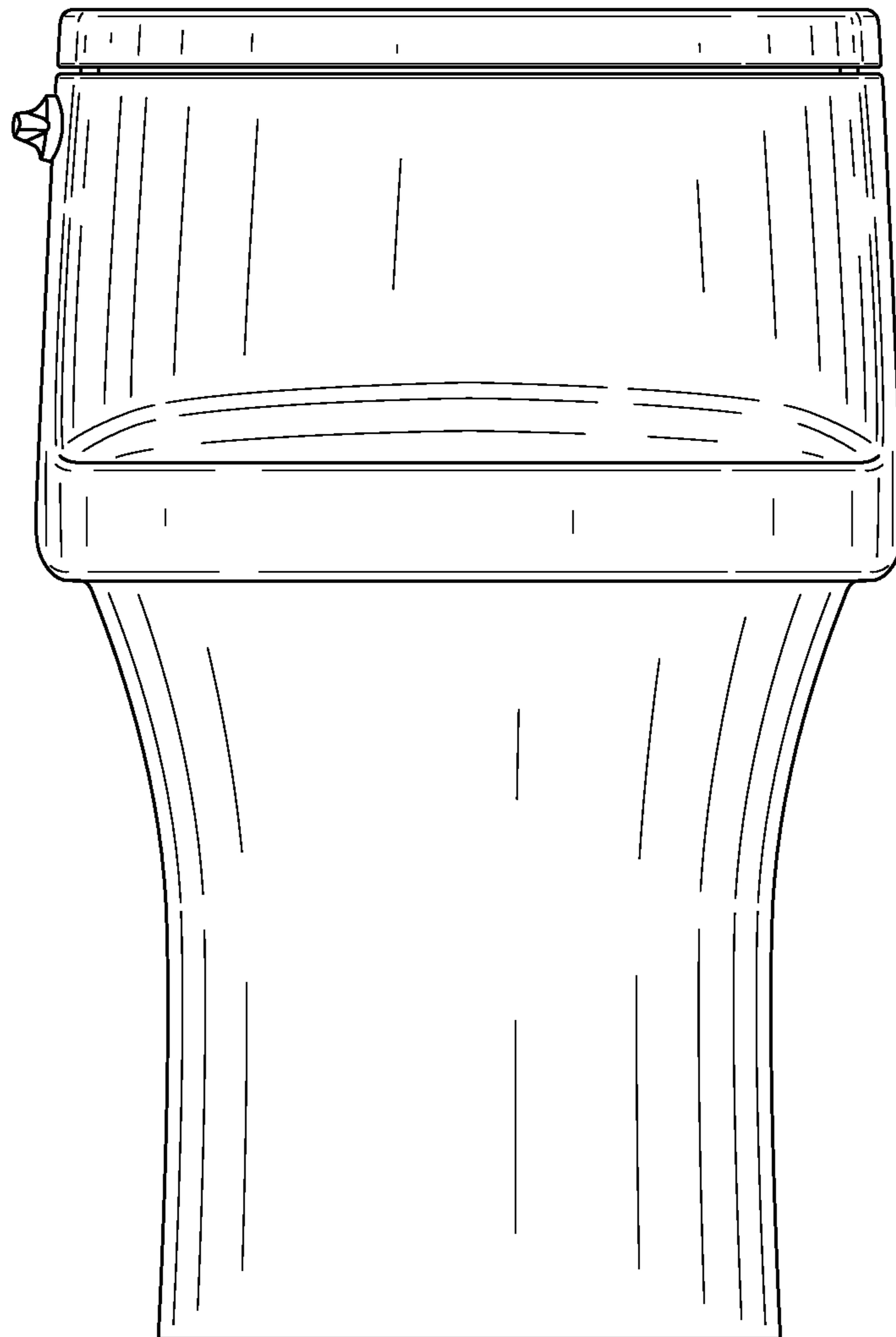


FIG. 4

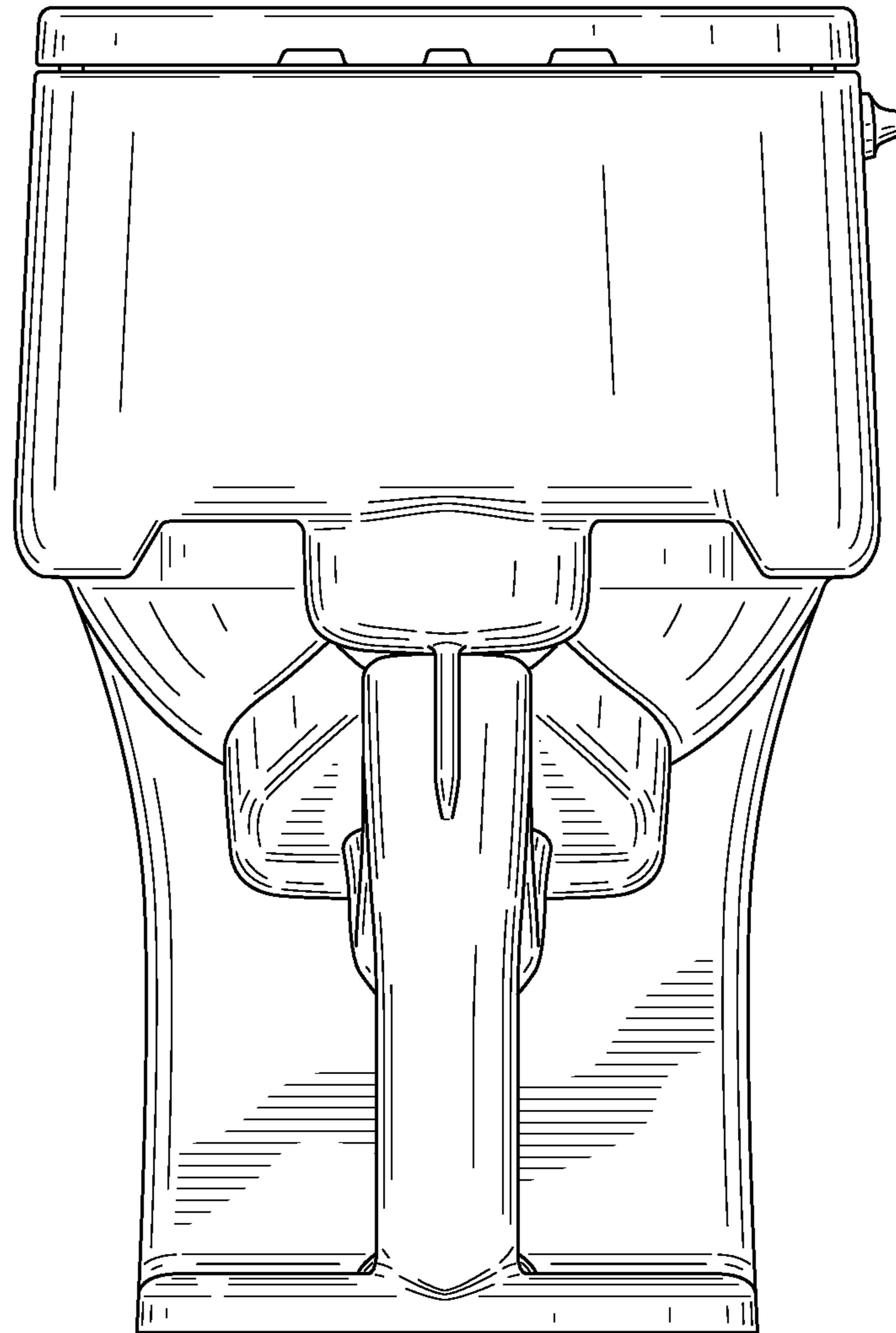


FIG. 5

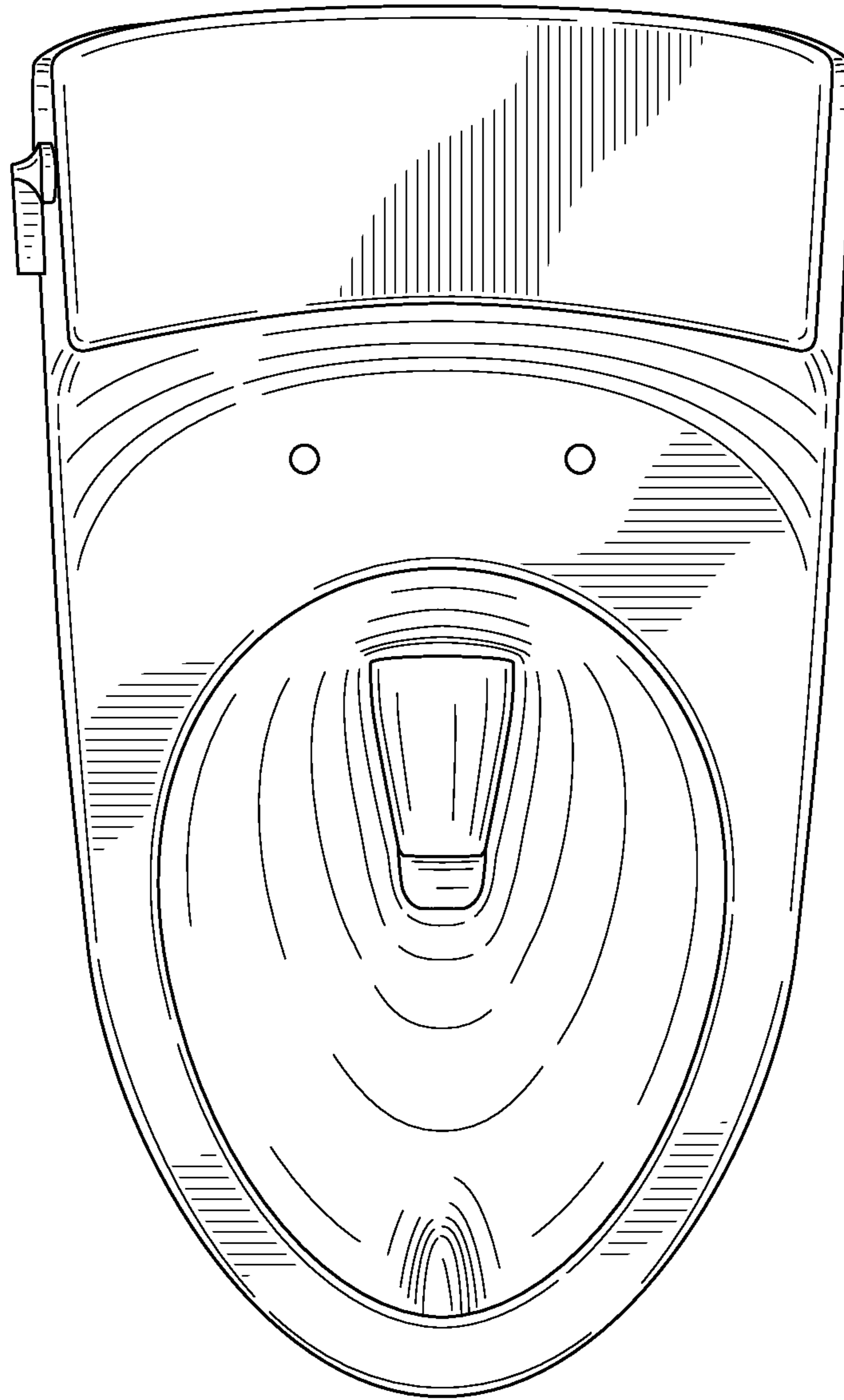


FIG. 6

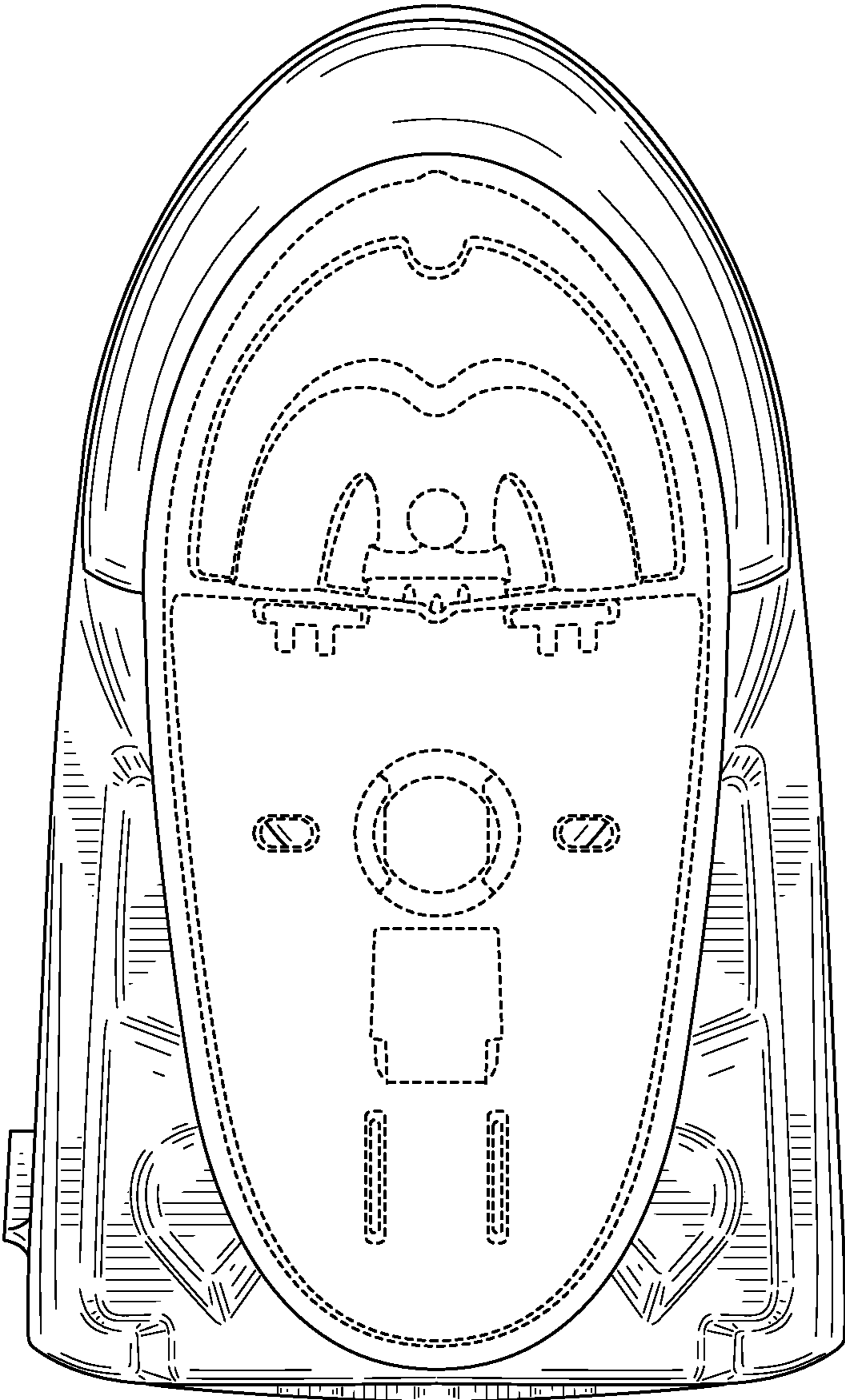


FIG. 7