



US00D745122S

(12) **United States Design Patent**
Schonherr et al.

(10) **Patent No.:** **US D745,122 S**

(45) **Date of Patent:** **** Dec. 8, 2015**

(54) **ABOVE COUNTER SINK**

(71) Applicant: **Ronbow Corporation**, Fremont, CA
(US)

(72) Inventors: **Thomas Schonherr**, Stuttgart (DE);
Andreas Diefenbach, Stuttgart (DE);
Sven Feustel, Stuttgart (DE)

(73) Assignee: **Ronbow Corporation**, Fremont, CA
(US)

(**) Term: **14 Years**

(21) Appl. No.: **29/515,846**

(22) Filed: **Jan. 27, 2015**

(51) **LOC (10) Cl.** **23-02**

(52) **U.S. Cl.**
USPC **D23/284**

(58) **Field of Classification Search**
USPC D23/271-274, 284, 286, 291-293.1,
D23/303, 308
CPC E03C 1/00; E03C 1/01; E03C 1/02;
E03C 1/12; E03C 1/18
See application file for complete search history.

(56) **References Cited**

U.S. PATENT DOCUMENTS

D538,905 S * 3/2007 Wano D23/293.1
D545,416 S * 6/2007 Maruhashi D23/293.1

D598,081 S * 8/2009 Soulier D23/284
D687,530 S * 8/2013 McGuire D23/308
D721,426 S * 1/2015 Bartlett D23/290

* cited by examiner

Primary Examiner — Robert Delehanty

(74) *Attorney, Agent, or Firm* — Thomas Schneck

(57) **CLAIM**

We claim the design for an above counter sink, as shown and described.

DESCRIPTION

FIG. 1 is a top front left perspective view of an above counter sink of our design, the dashed lines representing an unclaimed feature;

FIG. 2 is a top plan view thereof, the bottom plan view being plain, unornamented and unclaimed;

FIG. 3 is a front elevational view thereof, the rear elevational view being identical thereto;

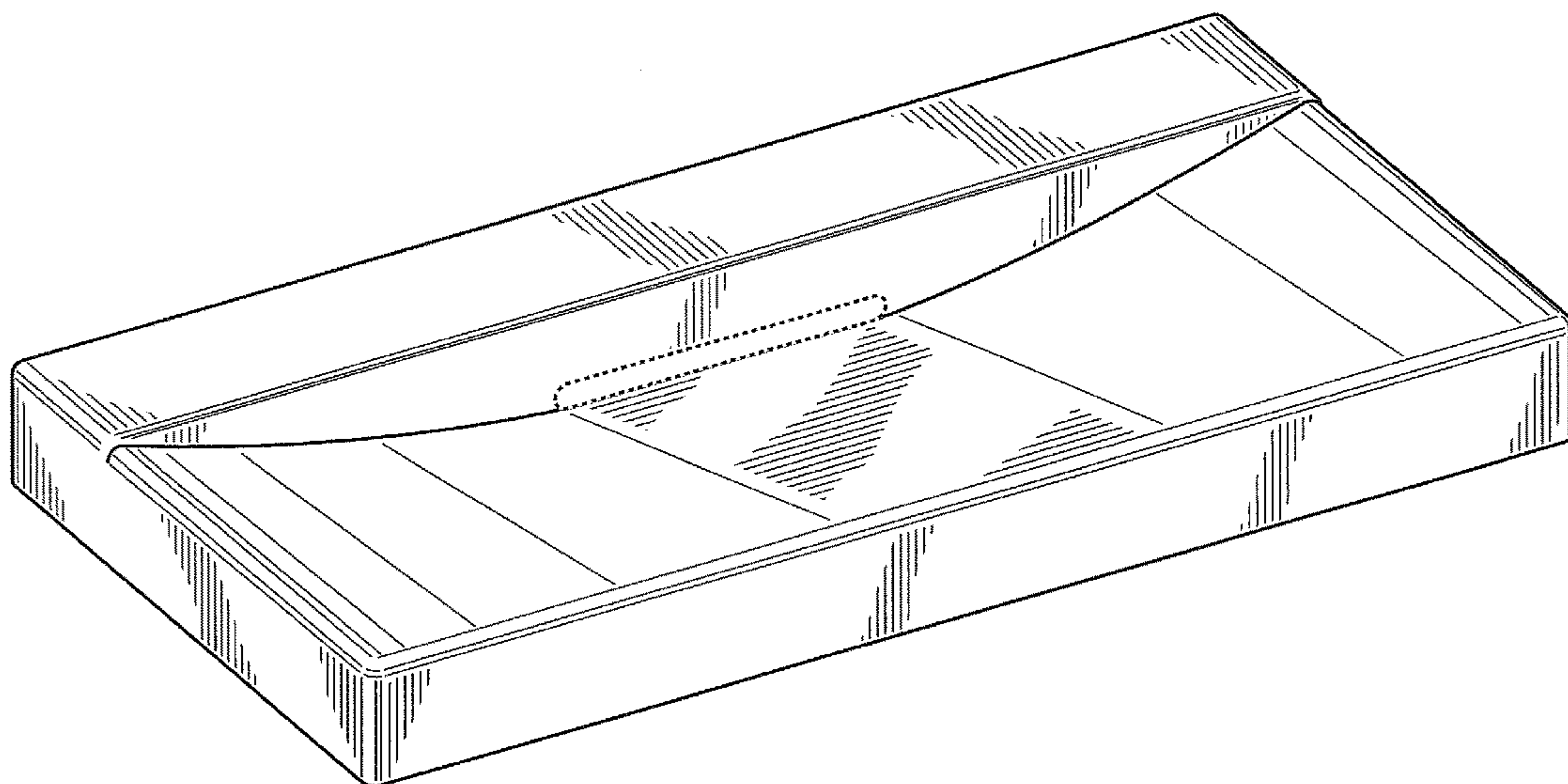
FIG. 4 is a right side elevational view thereof, the left side view being a mirror image thereof;

FIG. 5 is a cross sectional view taken along line 5-5 in FIG. 2, the dashed lines representing unclaimed features; and,

FIG. 6 is a cross sectional view taken along line 6-6 in FIG. 2, the dashed lines representing unclaimed features.

The broken lines shown in the drawings are included for the purpose of illustrating a portion of the sink that forms no part of the claimed design.

1 Claim, 3 Drawing Sheets



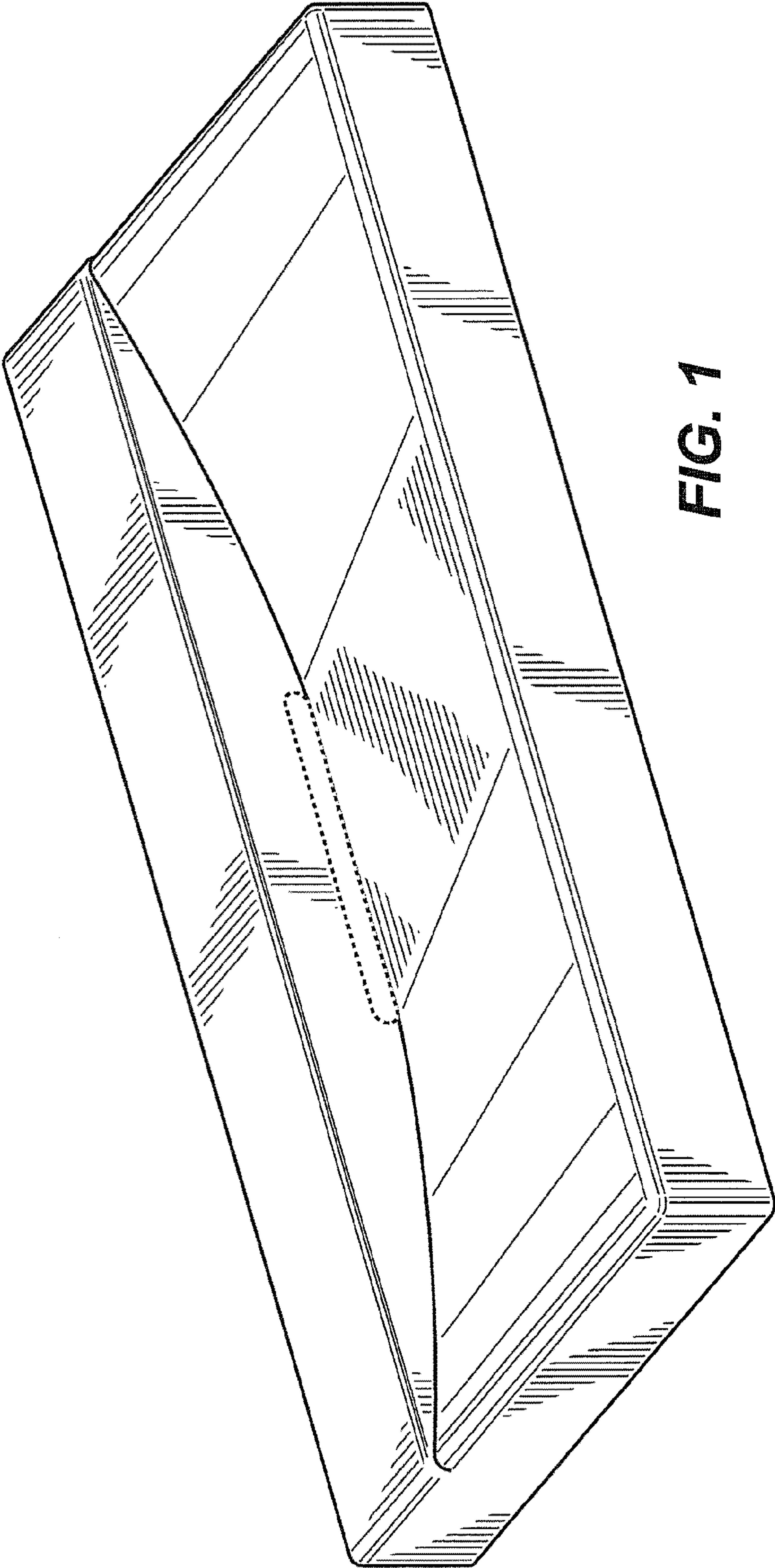


FIG. 1

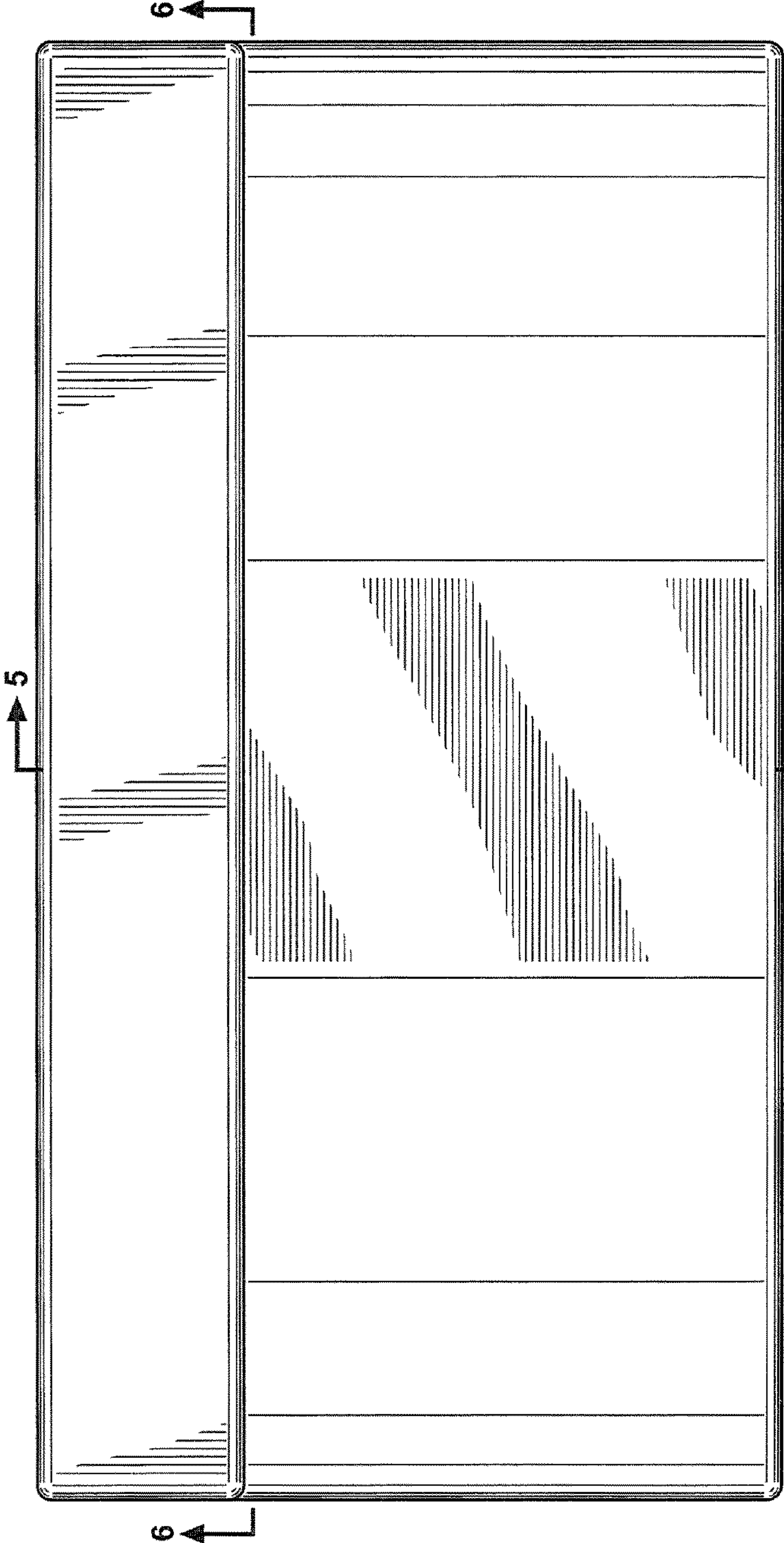


FIG. 2

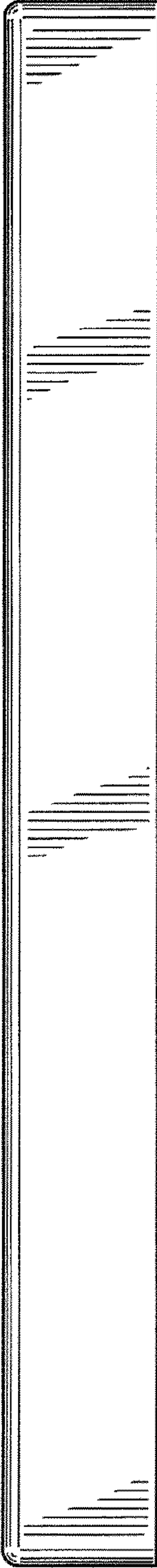


FIG. 3

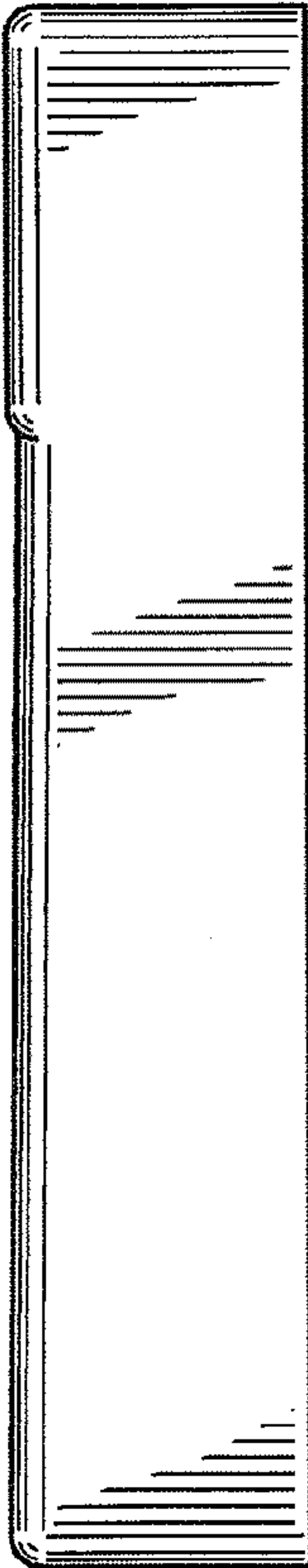


FIG. 4

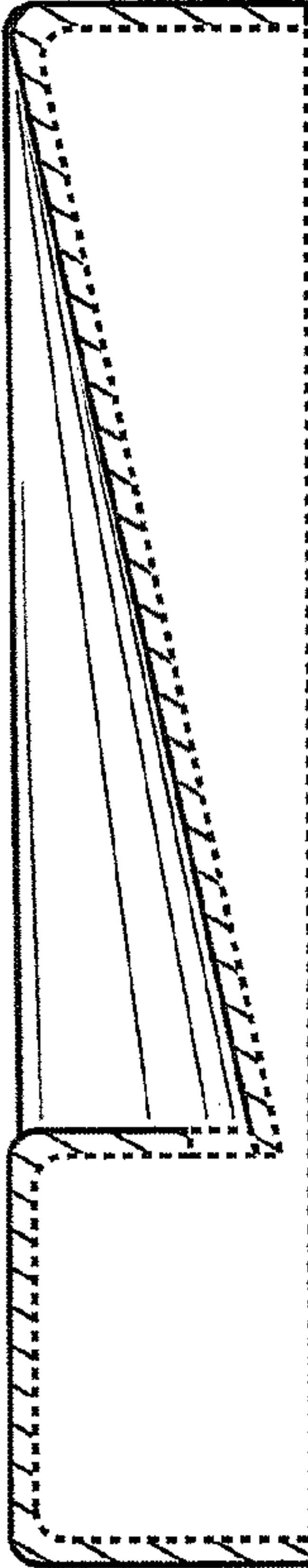


FIG. 5

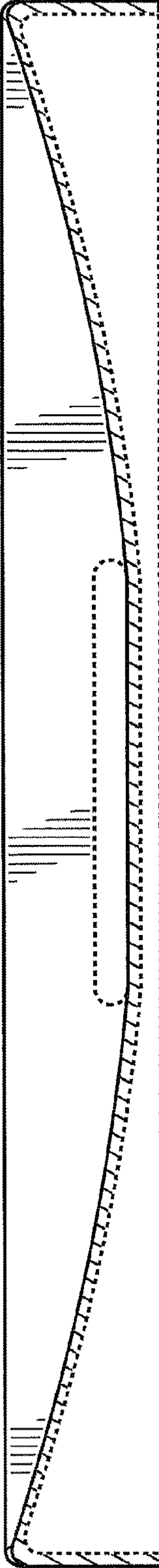


FIG. 6