



US00D745119S

(12) **United States Design Patent**
Browning

(10) **Patent No.:** **US D745,119 S**

(45) **Date of Patent:** **** Dec. 8, 2015**

(54) **MASTER FLANGE**

(71) Applicant: **James Browning**, Berea, OH (US)

(72) Inventor: **James Browning**, Berea, OH (US)

(**) Term: **14 Years**

(21) Appl. No.: **29/471,702**

(22) Filed: **Nov. 4, 2013**

(51) **LOC (10) Cl.** **23-01**

(52) **U.S. Cl.**
USPC **D23/265**

(58) **Field of Classification Search**
USPC D23/259, 262, 263, 265, 266, 269;
D15/5, 28; D12/194
CPC F16L 15/00; F16L 15/02; F16L 15/06;
F16L 15/08; F16L 23/00; F16L 23/12; F16L
23/16; F02F 11/00
See application file for complete search history.

(56) **References Cited**

U.S. PATENT DOCUMENTS

985,155	A *	2/1911	Fournia et al.	285/148.3
988,555	A *	4/1911	Donovan et al.	285/10
1,942,704	A *	1/1934	Hubbard et al.	277/601
2,040,348	A *	5/1936	Victor et al.	162/155
2,060,498	A *	11/1936	Gobb	277/597
4,097,071	A *	6/1978	Crawford et al.	285/94
4,277,092	A *	7/1981	Viers	285/263
4,756,561	A *	7/1988	Kawata et al.	285/187
4,778,189	A *	10/1988	Udagawa	277/648
4,962,938	A *	10/1990	Cooper	277/598

5,393,108	A *	2/1995	Kerr	285/368
D372,074	S *	7/1996	Wallace et al.	D23/269
6,161,842	A *	12/2000	Miyaoh	277/653
7,887,100	B1 *	2/2011	Paolone	285/124.3
8,505,132	B2 *	8/2013	Ball	4/680
D714,917	S *	10/2014	Miller et al.	D23/269
2005/0280214	A1 *	12/2005	Richards	277/608
2006/0145429	A1 *	7/2006	Casler et al.	277/627
2009/0273143	A1 *	11/2009	Nagawa et al.	277/608
2011/0049813	A1 *	3/2011	Han	277/608
2011/0101627	A1 *	5/2011	Labrenz et al.	277/630
2012/0139189	A1 *	6/2012	Schweiger	277/594
2013/0152291	A1 *	6/2013	Stonecipher et al.	4/252.1

* cited by examiner

Primary Examiner — Eric Goodman

Assistant Examiner — Daniel J Domino

(74) *Attorney, Agent, or Firm* — Benesch, Friedlander, Coplan & Aronoff, LLP

(57) **CLAIM**

What is claimed is the ornamental design for a master flange, as shown and described.

DESCRIPTION

FIG. 1 is a top perspective view of a master flange showing our new design;

FIG. 2 is a bottom perspective view thereof;

FIG. 3 is a front view thereof;

FIG. 4 is a rear view thereof;

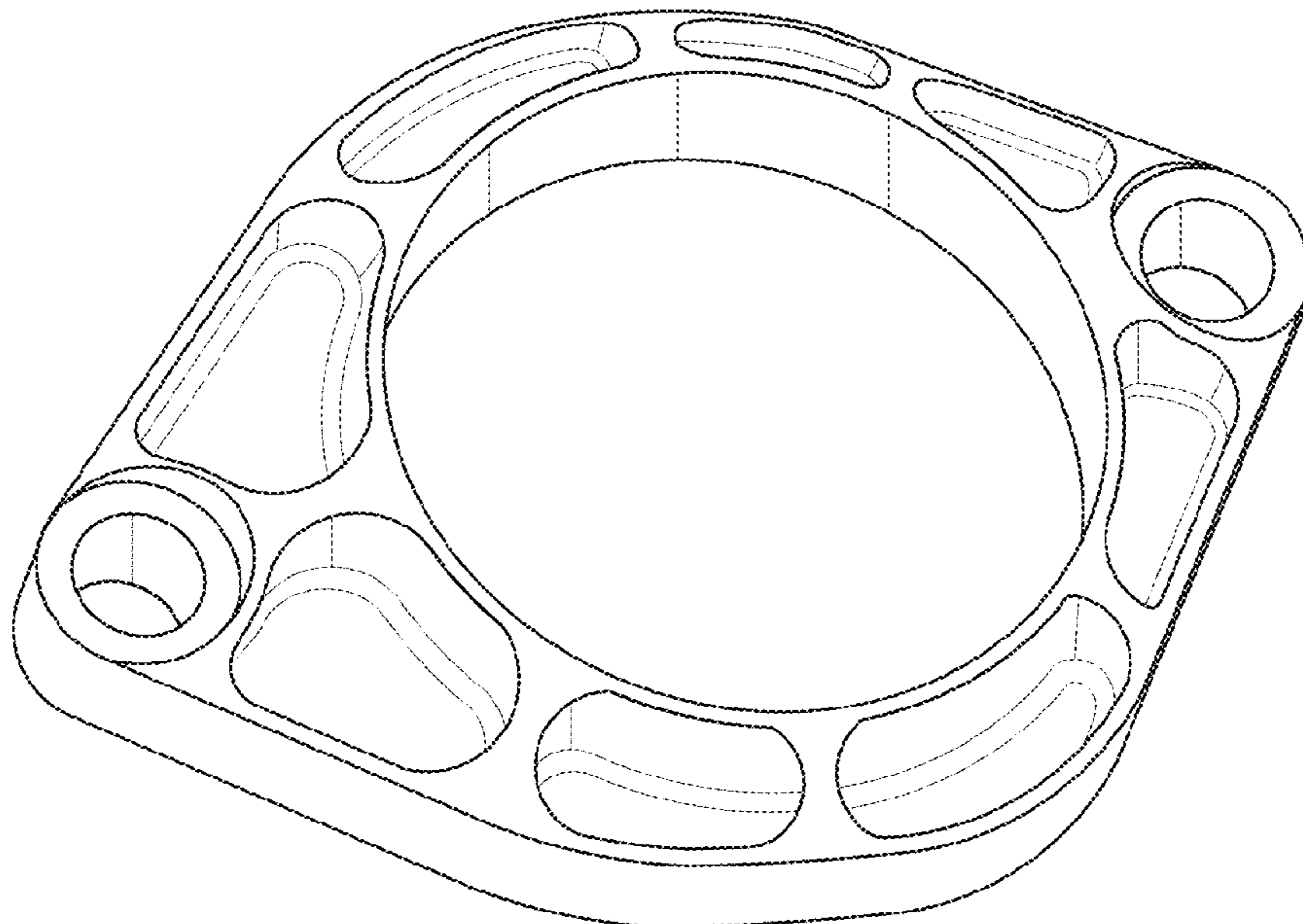
FIG. 5 is a left side view thereof;

FIG. 6 is a right side view thereof;

FIG. 7 is a top view thereof; and,

FIG. 8 is a bottom view thereof.

1 Claim, 8 Drawing Sheets



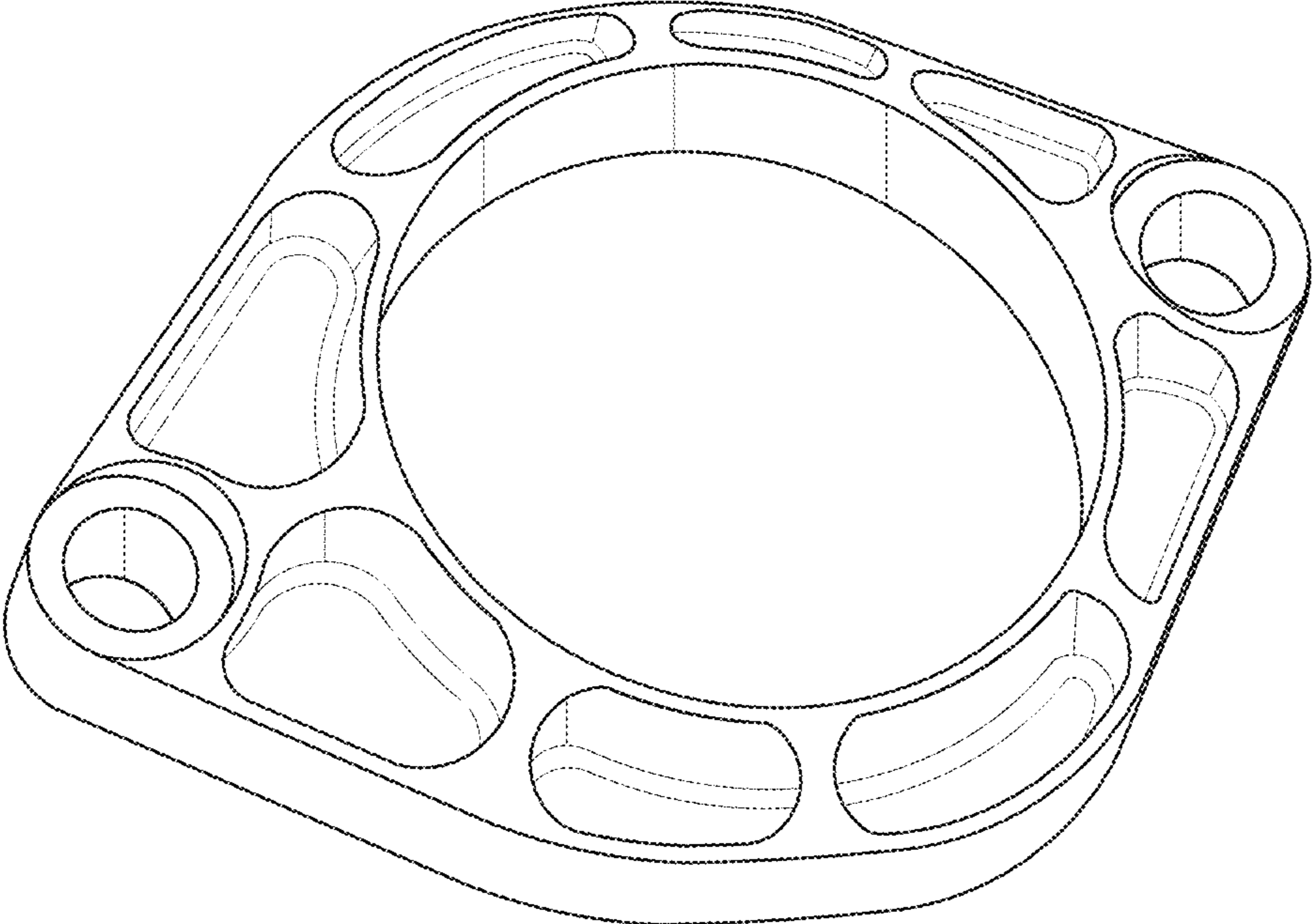


FIG. 1

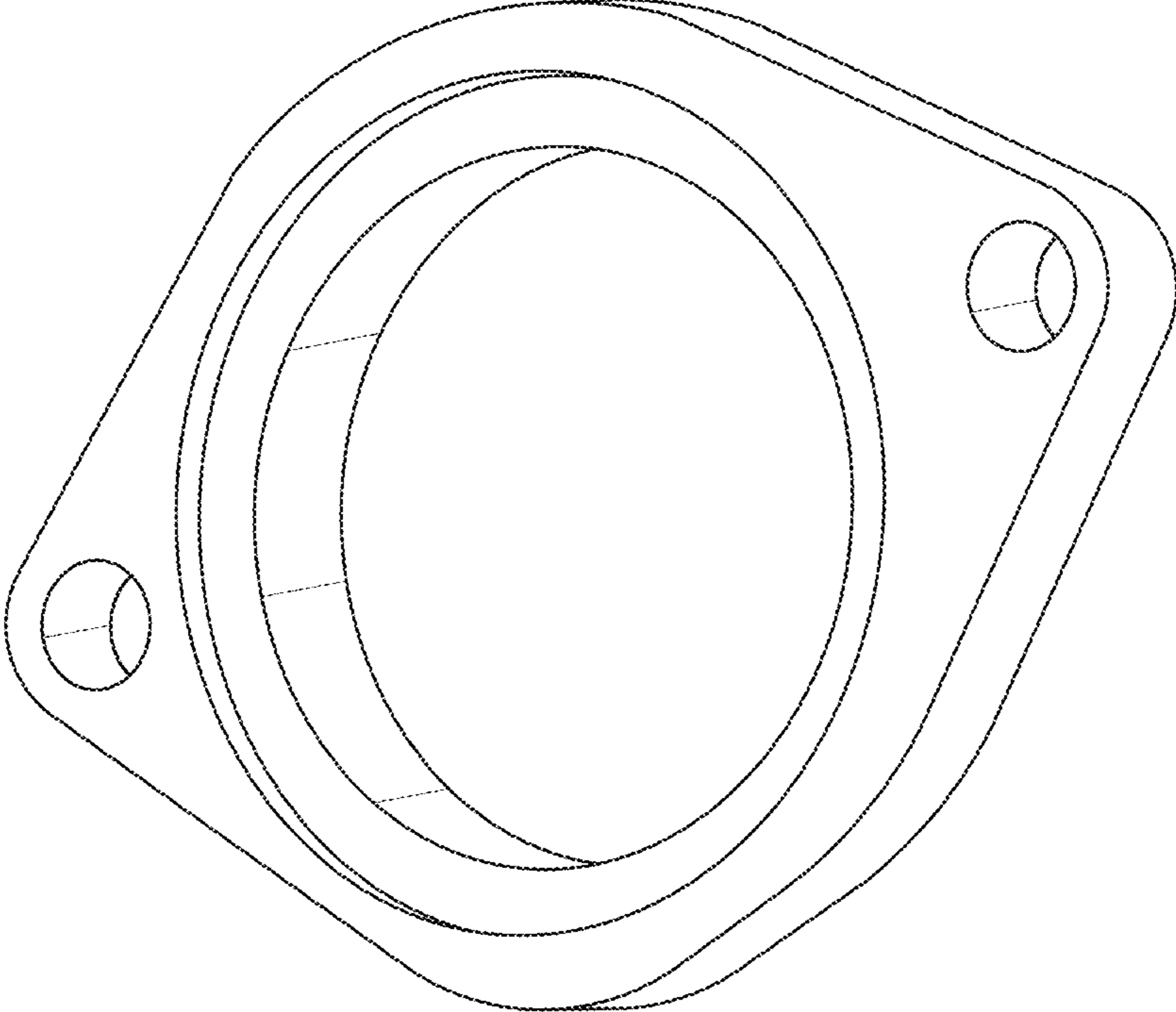


FIG. 2

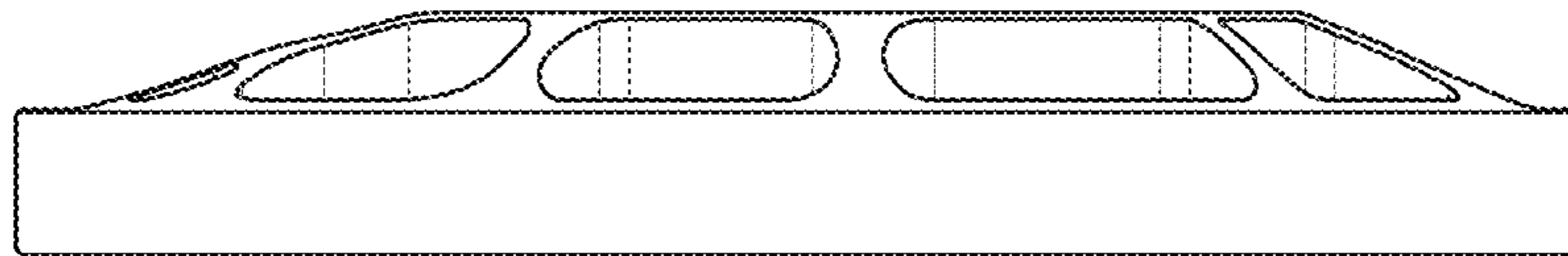


FIG. 3

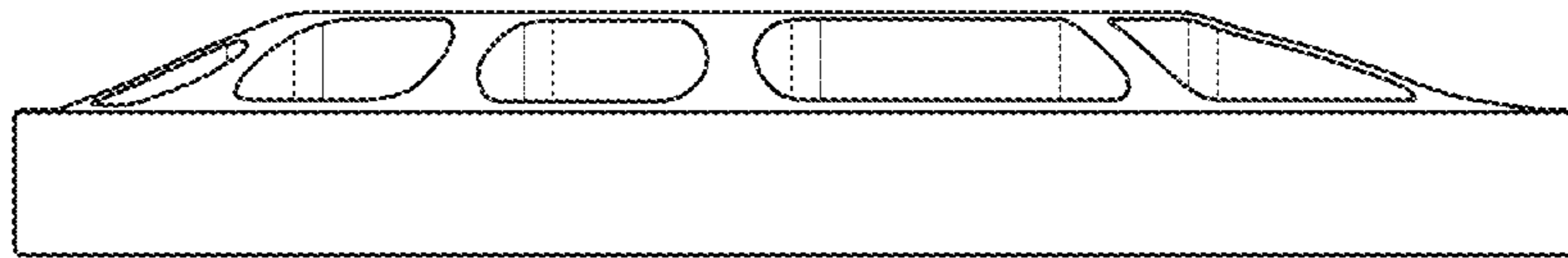


FIG. 4

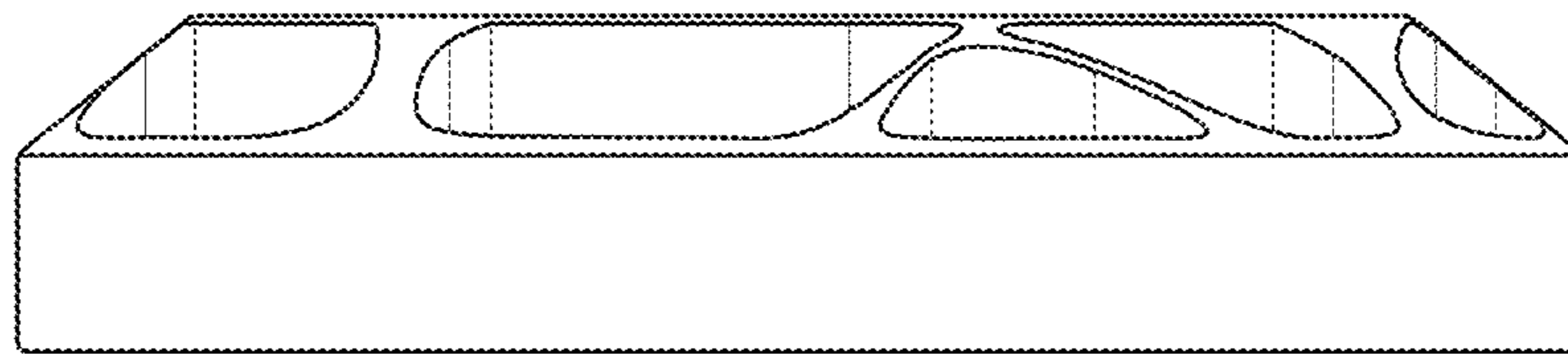


FIG. 5

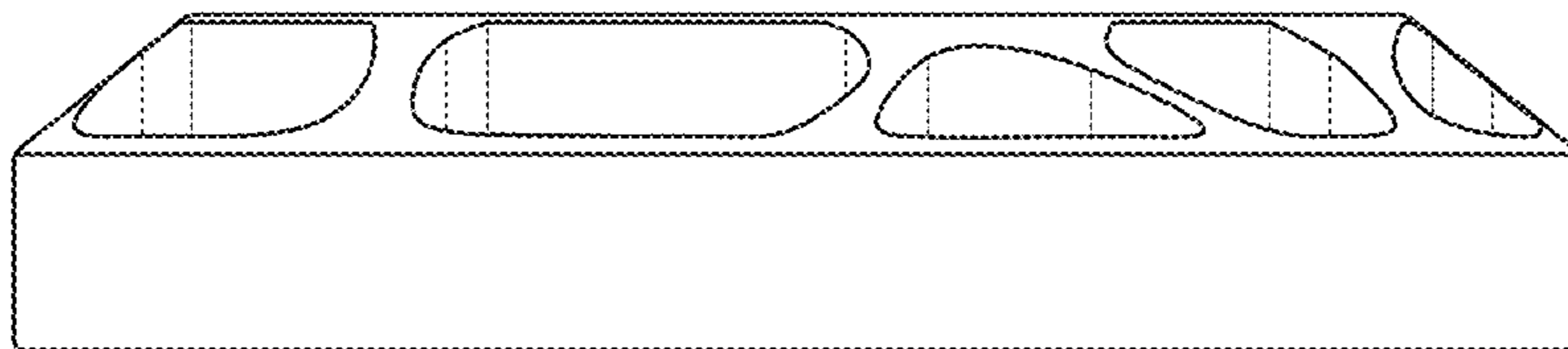


FIG. 6

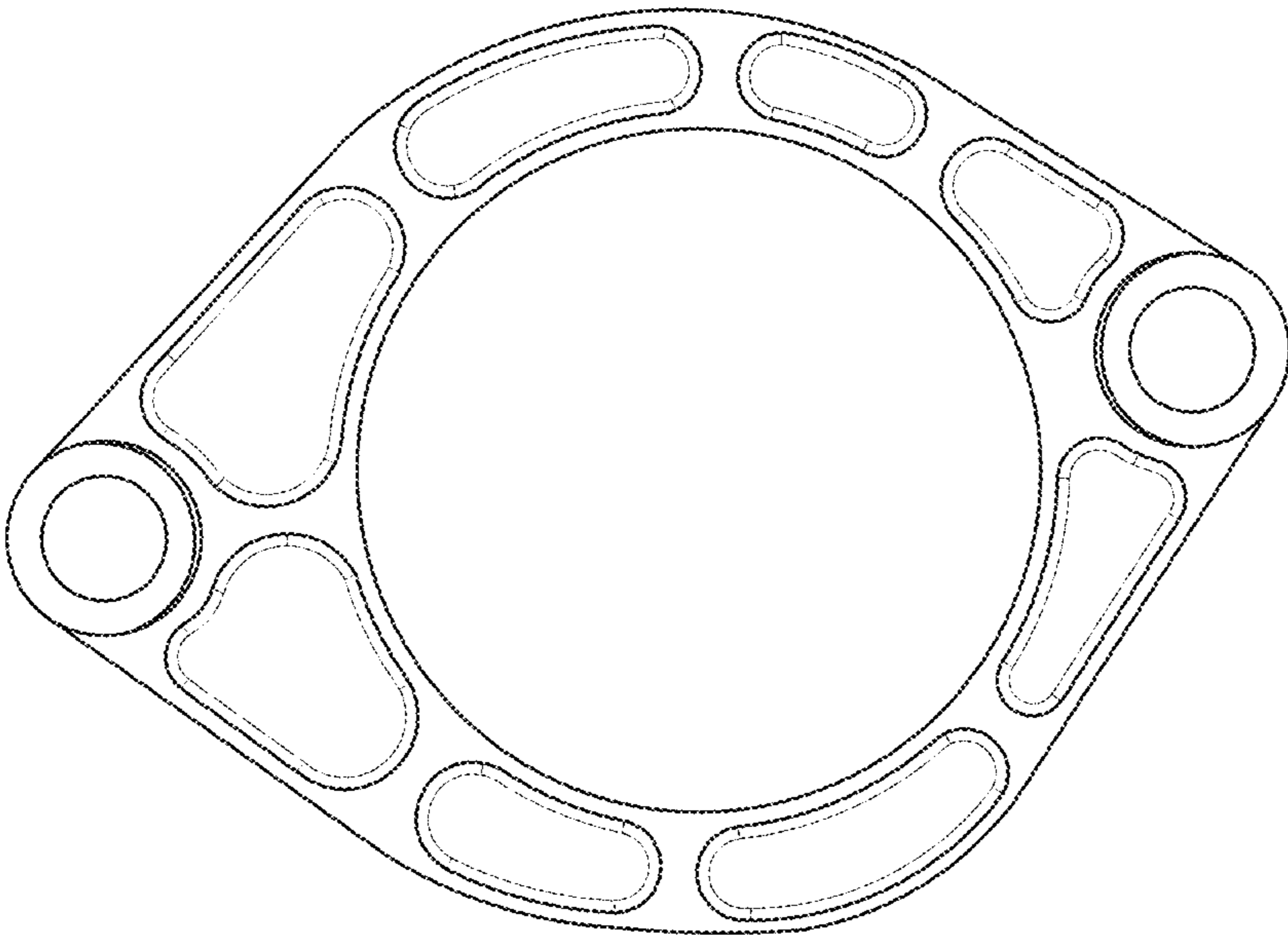


FIG. 7

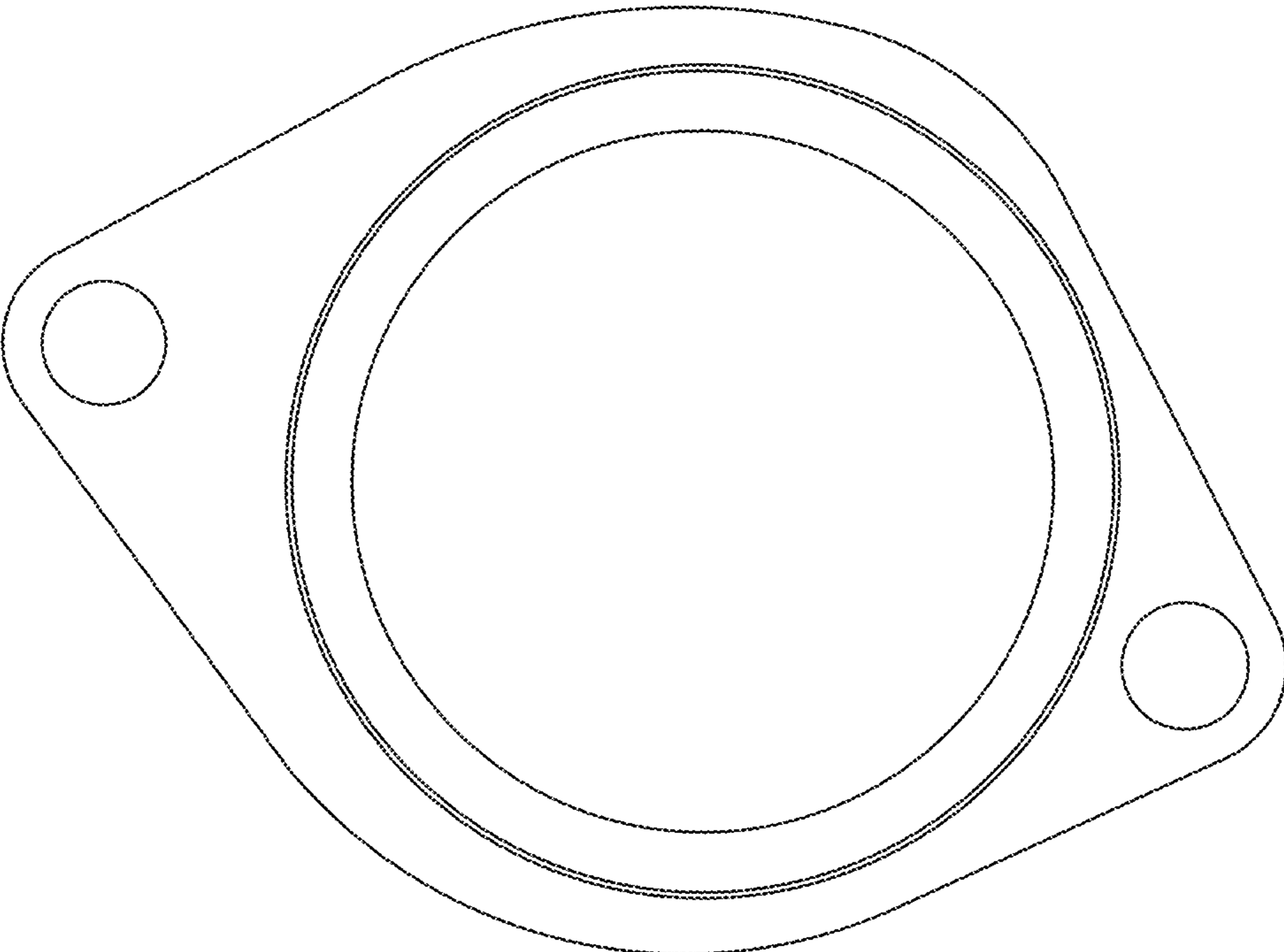


FIG. 8