



US00D745118S

(12) **United States Design Patent**
Kenney

(10) **Patent No.:** **US D745,118 S**
(45) **Date of Patent:** **** Dec. 8, 2015**

(54) **LAWN SPRINKLER DISPENSER COUPLING**

(71) Applicant: **Charles Kenney**, Grapevine, TX (US)

(72) Inventor: **Charles Kenney**, Grapevine, TX (US)

(**) Term: **14 Years**

(21) Appl. No.: **29/493,602**

(22) Filed: **Jun. 11, 2014**

Related U.S. Application Data

(63) Continuation of application No. 13/216,802, filed on Aug. 24, 2011, now abandoned.

(51) **LOC (10) Cl.** **23-01**

(52) **U.S. Cl.**
USPC **D23/262**

(58) **Field of Classification Search**
USPC D23/205, 206, 208, 213, 214, 219, 221,
D23/225, 233, 262, 263; D24/129;
D13/155; D8/382; 137/605, 606, 607;
138/103, 105, 109, 155, 157; 285/58,
285/125.1, 133.11, 133.4, 179-183;
403/52, 53, 54

CPC F16L 11/00; F16L 15/00; F16L 19/0237;
F16L 21/00; F16L 31/00; F16L 39/00; F16L
41/021; F16K 11/00; F16K 11/02; F16K
11/052; F16K 11/072; A62C 33/06
See application file for complete search history.

(56) **References Cited**

U.S. PATENT DOCUMENTS

2,072,124 A * 3/1937 Neuman 137/564.5
2,121,558 A * 6/1938 Coe et al. 29/890.15
2,228,922 A * 1/1941 Gorlick 422/278
2,789,010 A * 4/1957 Dean 239/434
3,174,691 A * 3/1965 Haviland 239/314
4,396,213 A * 8/1983 Hawkins 285/289.3
D291,480 S * 8/1987 Vassallo et al. D23/263
4,823,829 A * 4/1989 Woods 137/114
4,838,703 A * 6/1989 McMaster et al. 366/168.2
D304,486 S * 11/1989 Elder et al. D23/233

D309,653 S * 7/1990 Kendrick D23/213
D321,746 S * 11/1991 Cockman D23/221
D326,309 S * 5/1992 Kendrick D23/208

(Continued)

Primary Examiner — John Windmuller

Assistant Examiner — Steven Czyz

(74) *Attorney, Agent, or Firm* — Robert C. Montgomery;
Montgomery Patent & Design, LP

(57) **CLAIM**

The ornamental design for a lawn sprinkler dispenser coupling, as shown and described.

DESCRIPTION

FIG. 1 is a perspective view of a lawn sprinkler dispenser coupling showing my new design with ground spikes in assemblage;

FIG. 2 is another perspective view of FIG. 1;

FIG. 3 is a perspective view of the lawn sprinkler dispenser coupling shown without ground spikes in assemblage;

FIG. 4 is another perspective view of FIG. 3;

FIG. 5 is a front view of FIG. 3;

FIG. 6 is a rear view of FIG. 3;

FIG. 7 is a left side view of FIG. 3;

FIG. 8 is a right side view of FIG. 3;

FIG. 9 is a top view of FIG. 3;

FIG. 10 is a bottom view of FIG. 3;

FIG. 11 is a perspective view of one of the ground spikes shown separately for ease of disclosure;

FIG. 12 is a front view of FIG. 11, shown separately for ease of disclosure;

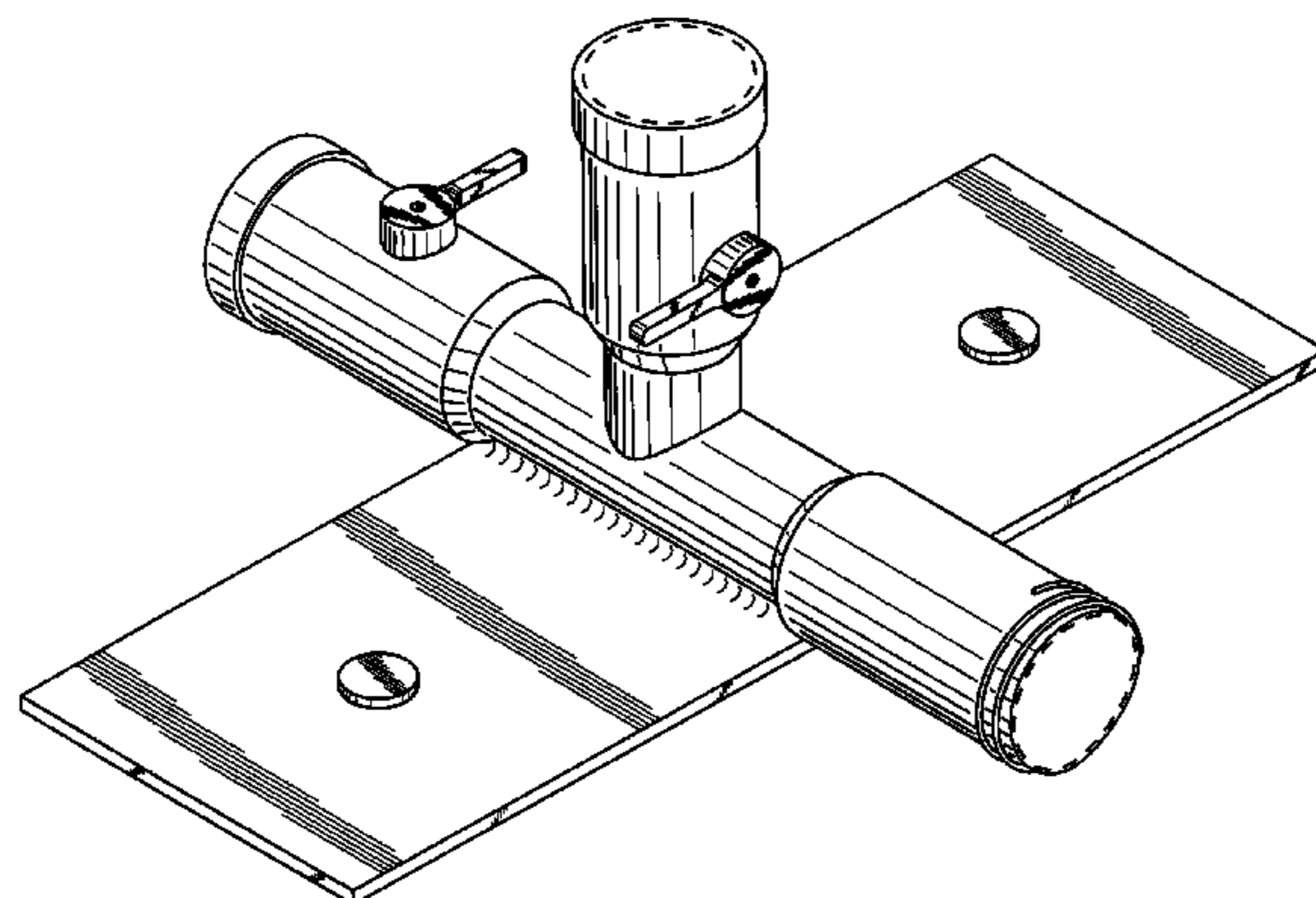
FIG. 13 is a left side view of FIG. 11, shown separately for ease of disclosure;

FIG. 14 is a top view of FIG. 11, shown separately for ease of disclosure; and,

FIG. 15 is a bottom view of FIG. 11, shown separately for ease of disclosure.

The broken lines in the figures represent boundaries of claimed and unclaimed areas and are not parts of the claimed design.

1 Claim, 13 Drawing Sheets



(56)

References Cited

U.S. PATENT DOCUMENTS

D327,728 S *	7/1992	Baker	D23/214	D513,783 S *	1/2006	Holmes et al.	D23/221
D333,863 S *	3/1993	Kimmons	D23/214	D522,616 S *	6/2006	Minnick et al.	D23/233
5,303,729 A *	4/1994	DeMarco	137/268	7,093,606 B2 *	8/2006	Roberts	137/14
D385,011 S *	10/1997	Healy	D23/214	7,395,978 B2 *	7/2008	Piazza et al.	239/318
D400,643 S *	11/1998	Watson, Sr.	D23/208	D615,611 S *	5/2010	Cheng	D23/221
6,202,284 B1 *	3/2001	Joblin	29/516	D634,819 S *	3/2011	Leroyer	D23/263
6,206,046 B1 *	3/2001	Finley	137/893	D635,643 S *	4/2011	Hanna et al.	D23/221
6,267,303 B1 *	7/2001	Francis	239/318	D702,812 S *	4/2014	Morgan et al.	D23/221
D481,109 S *	10/2003	Dole et al.	D23/263	D722,362 S *	2/2015	Kluss et al.	D23/235
D488,543 S *	4/2004	Fulcher et al.	D23/259	D723,657 S *	3/2015	Lee	D23/213
D489,430 S *	5/2004	Hollenback	D23/208	2003/0070718 A1 *	4/2003	Benham	137/861
D510,406 S *	10/2005	Sener et al.	D23/221	2007/0290072 A1	12/2007	Smith	
D511,818 S *	11/2005	Tomlin, Sr.	D23/259	2010/0154988 A1 *	6/2010	Richardson et al.	156/273.9
					2014/0152000 A1 *	6/2014	Chen et al.	285/124.1
					2014/0251481 A1 *	9/2014	Kroll et al.	138/106

* cited by examiner

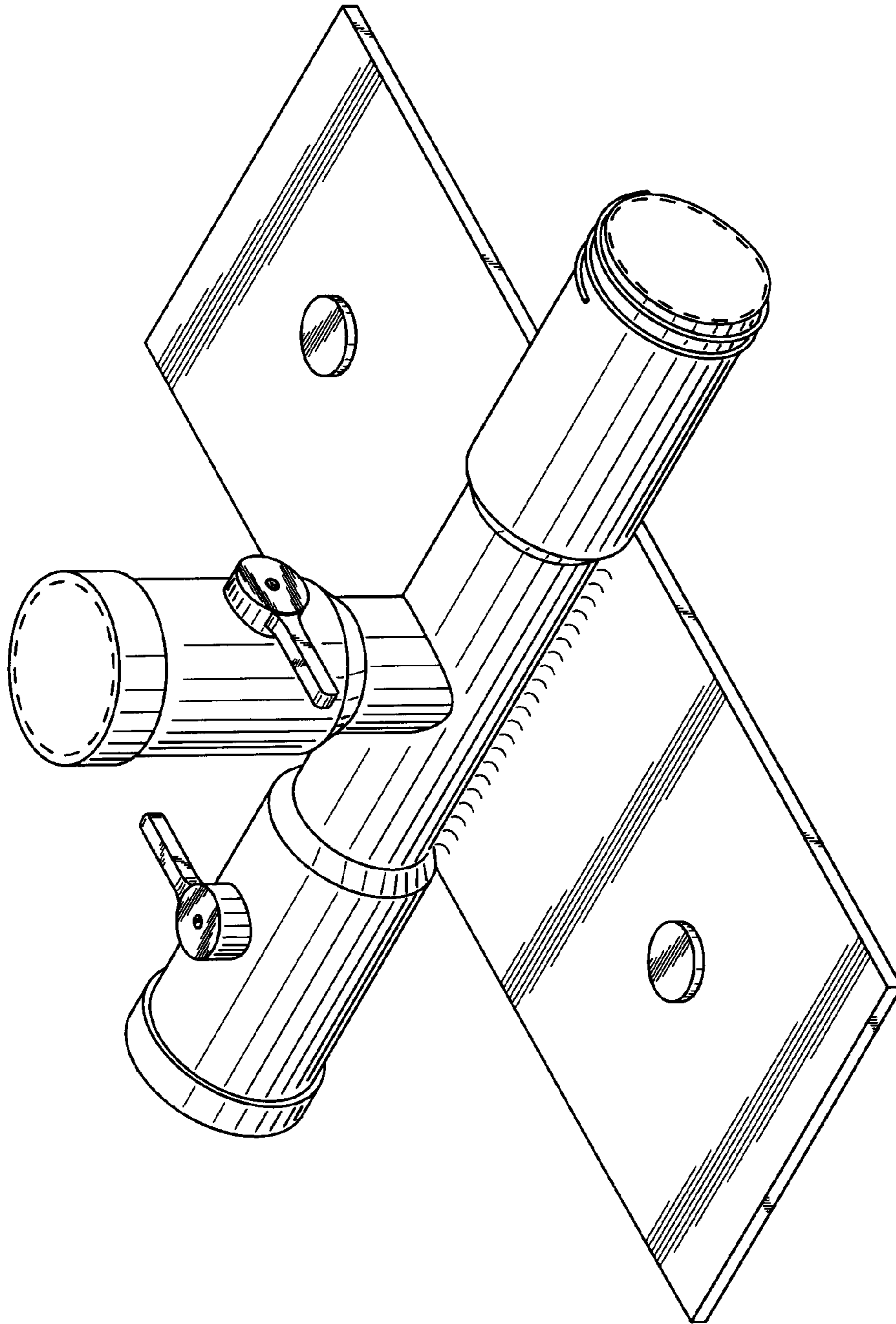


FIG. 1

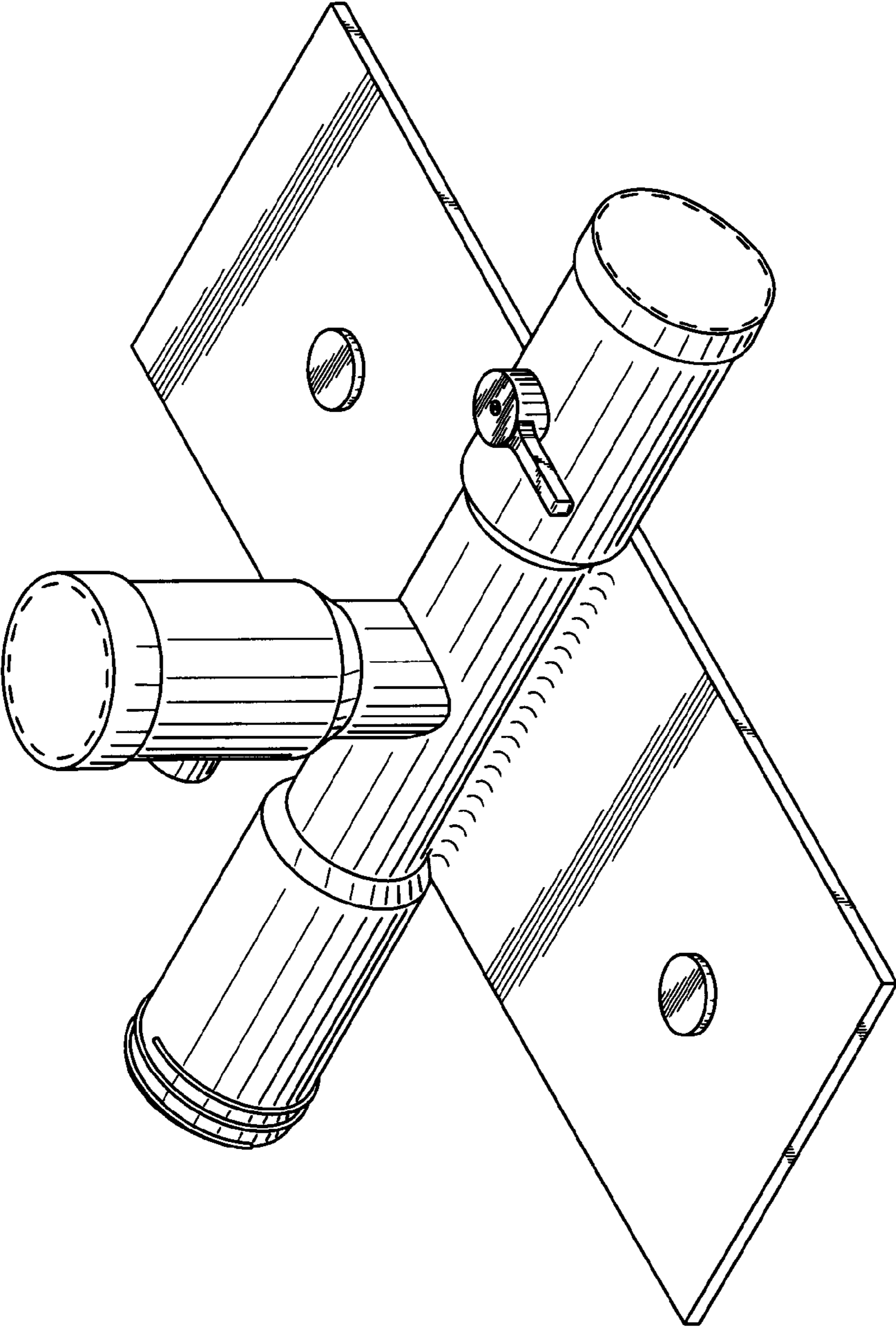


FIG. 2

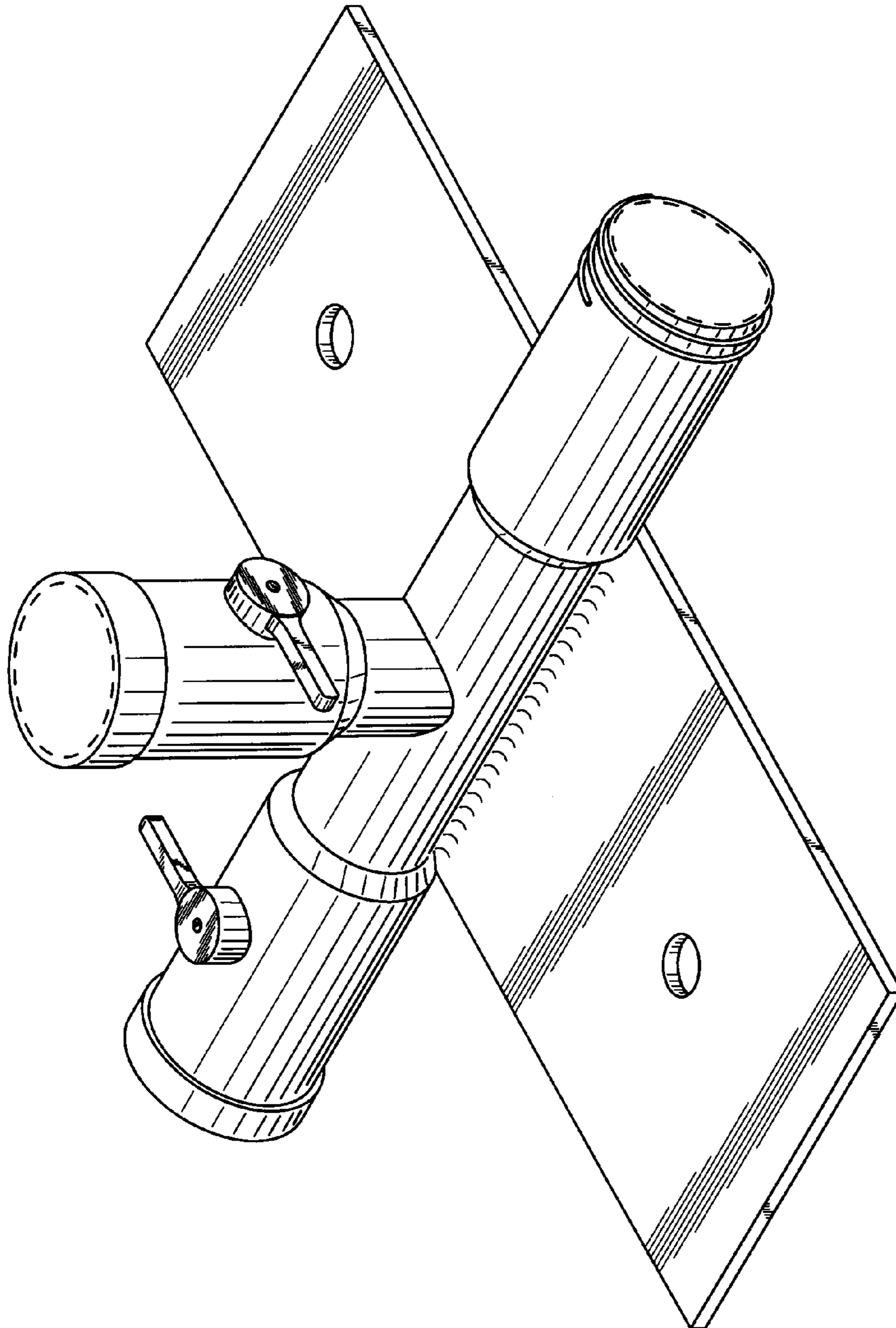


FIG. 3

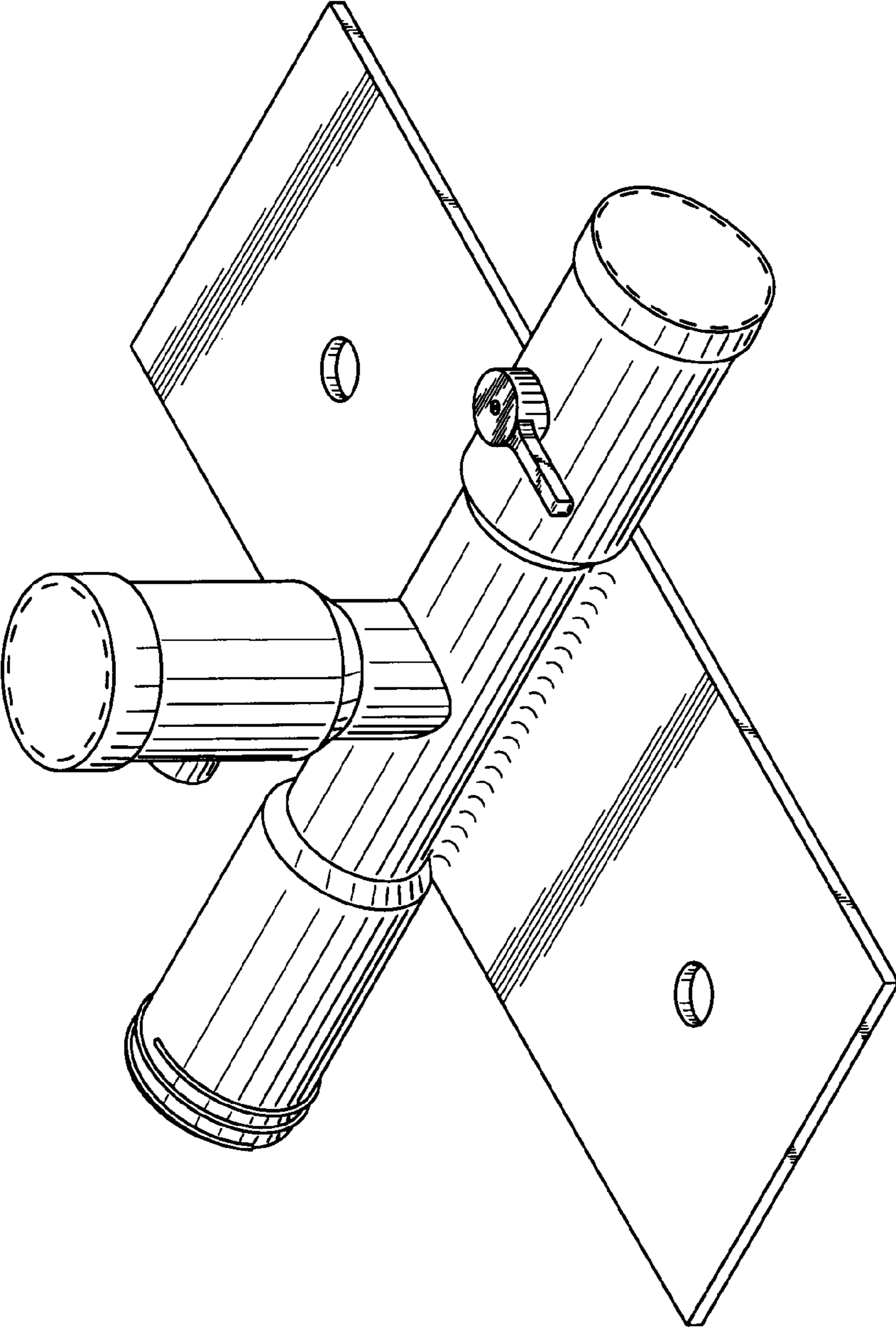


FIG. 4

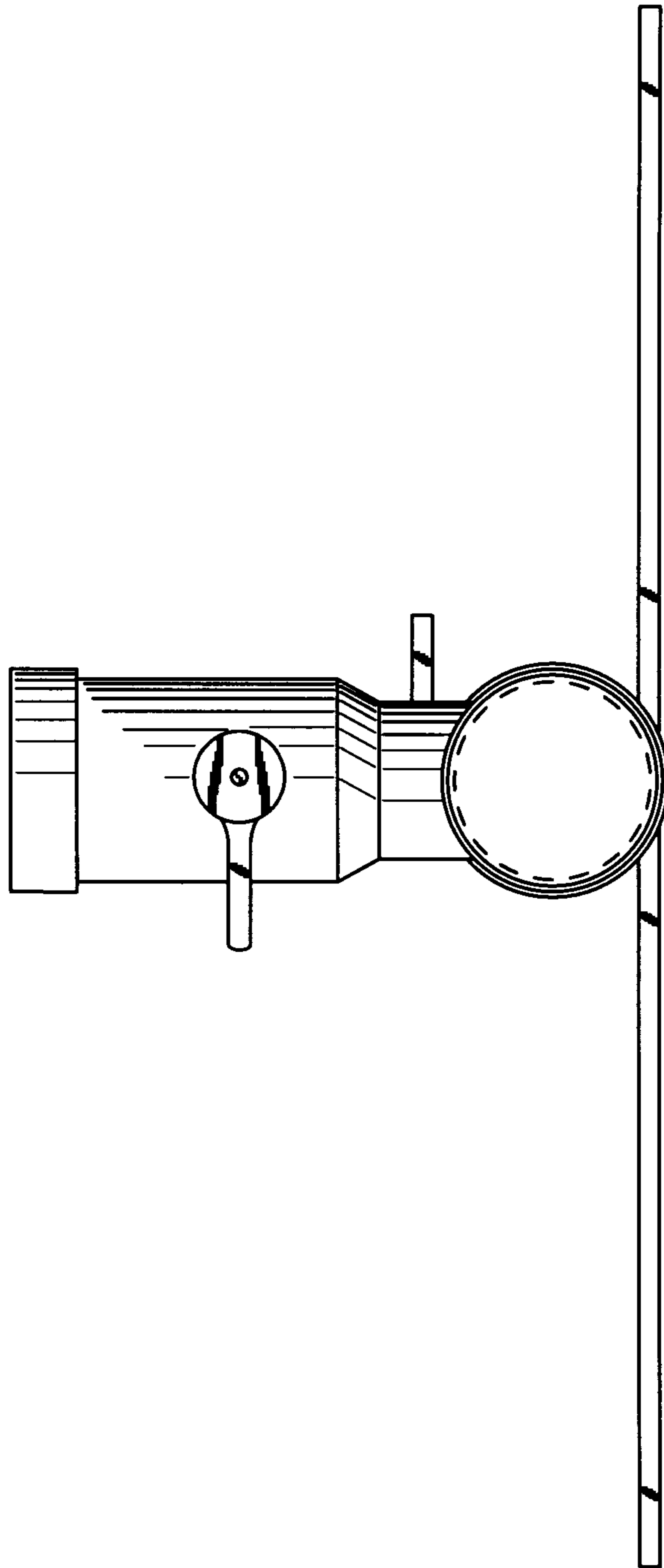


FIG. 5

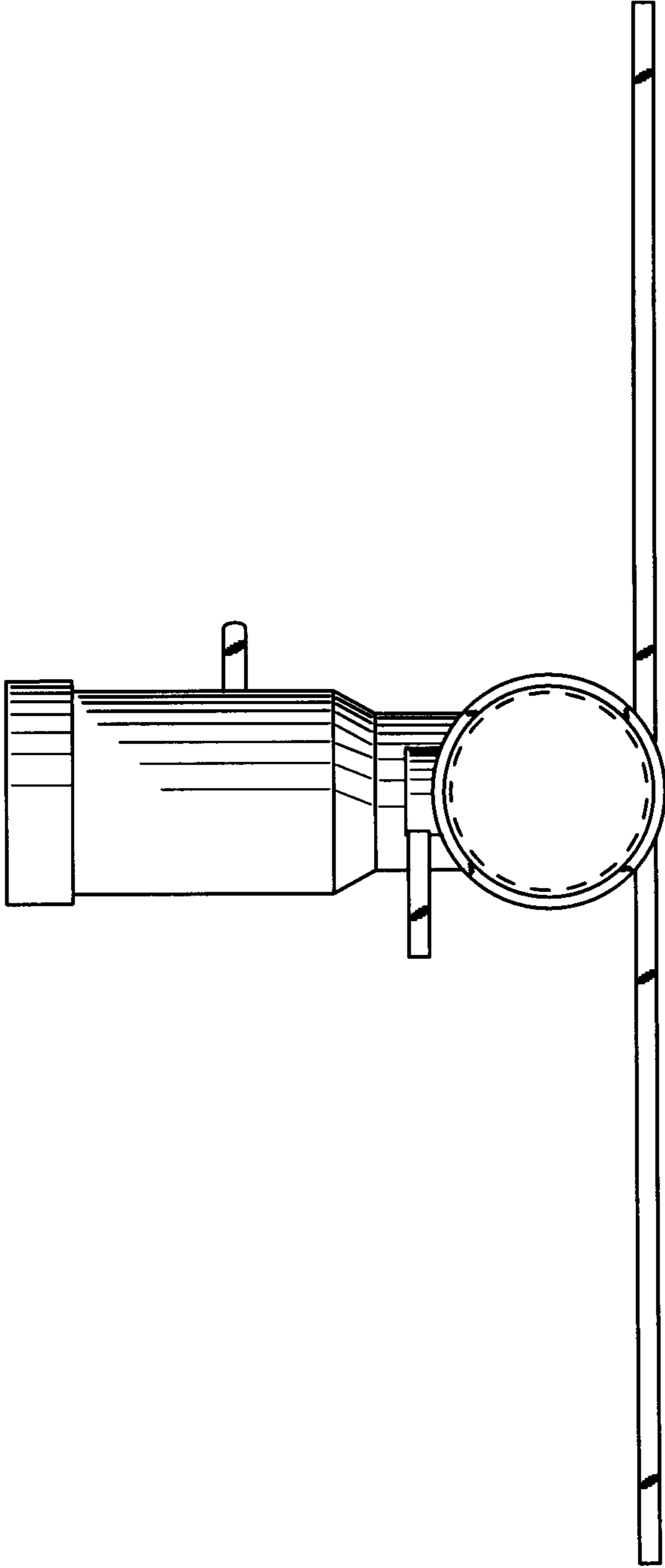


FIG. 6

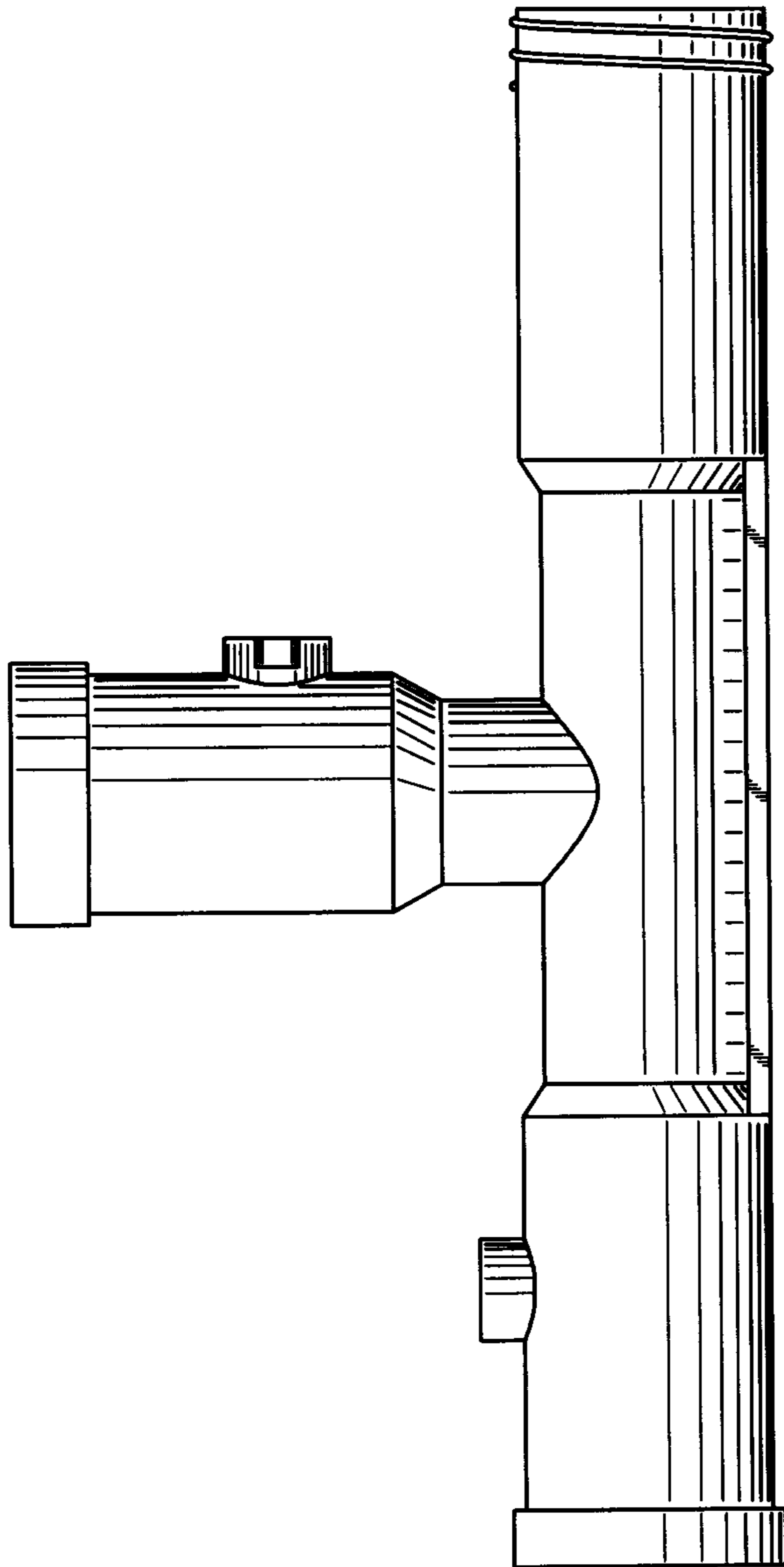


FIG. 7

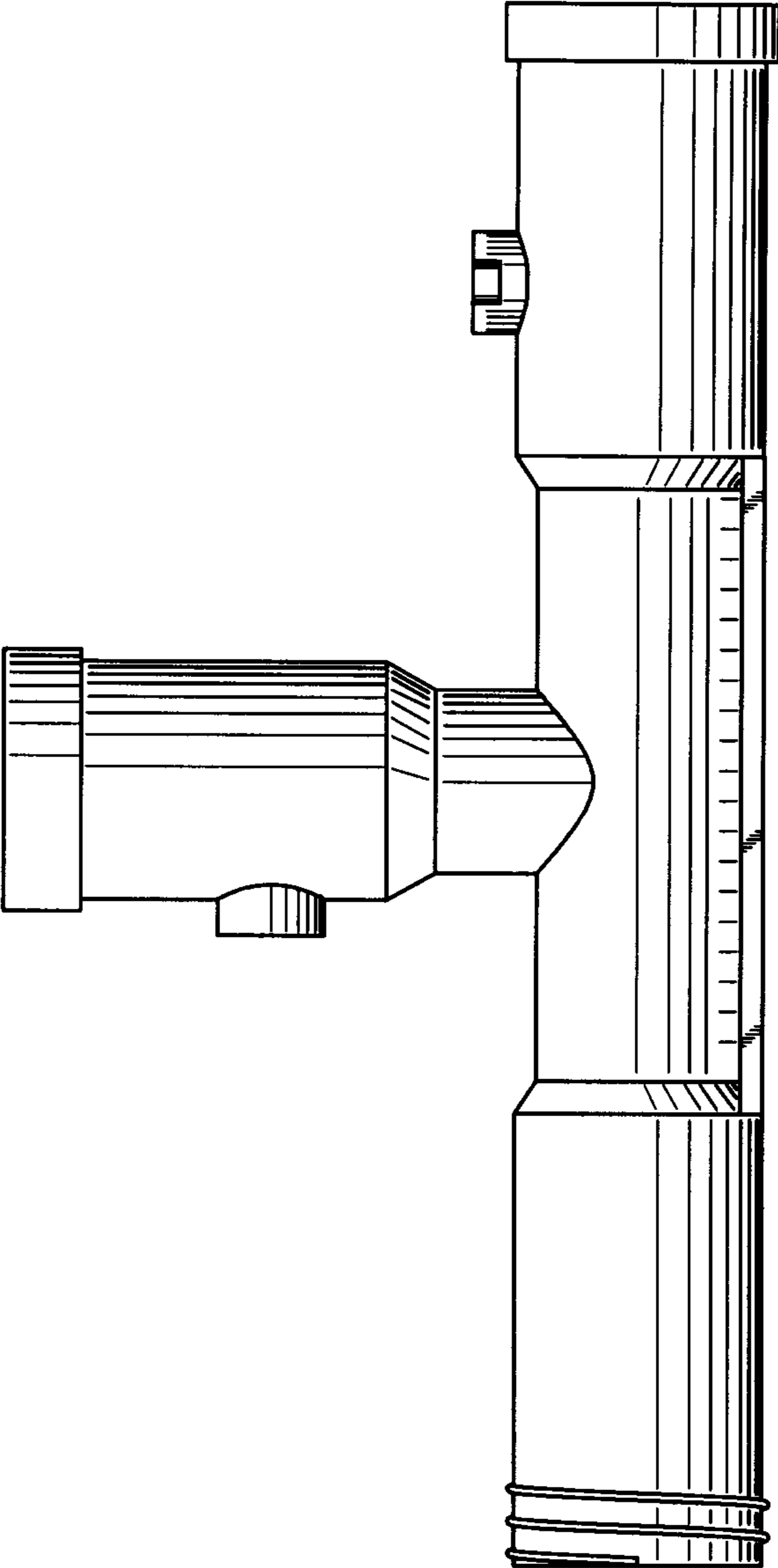


FIG. 8

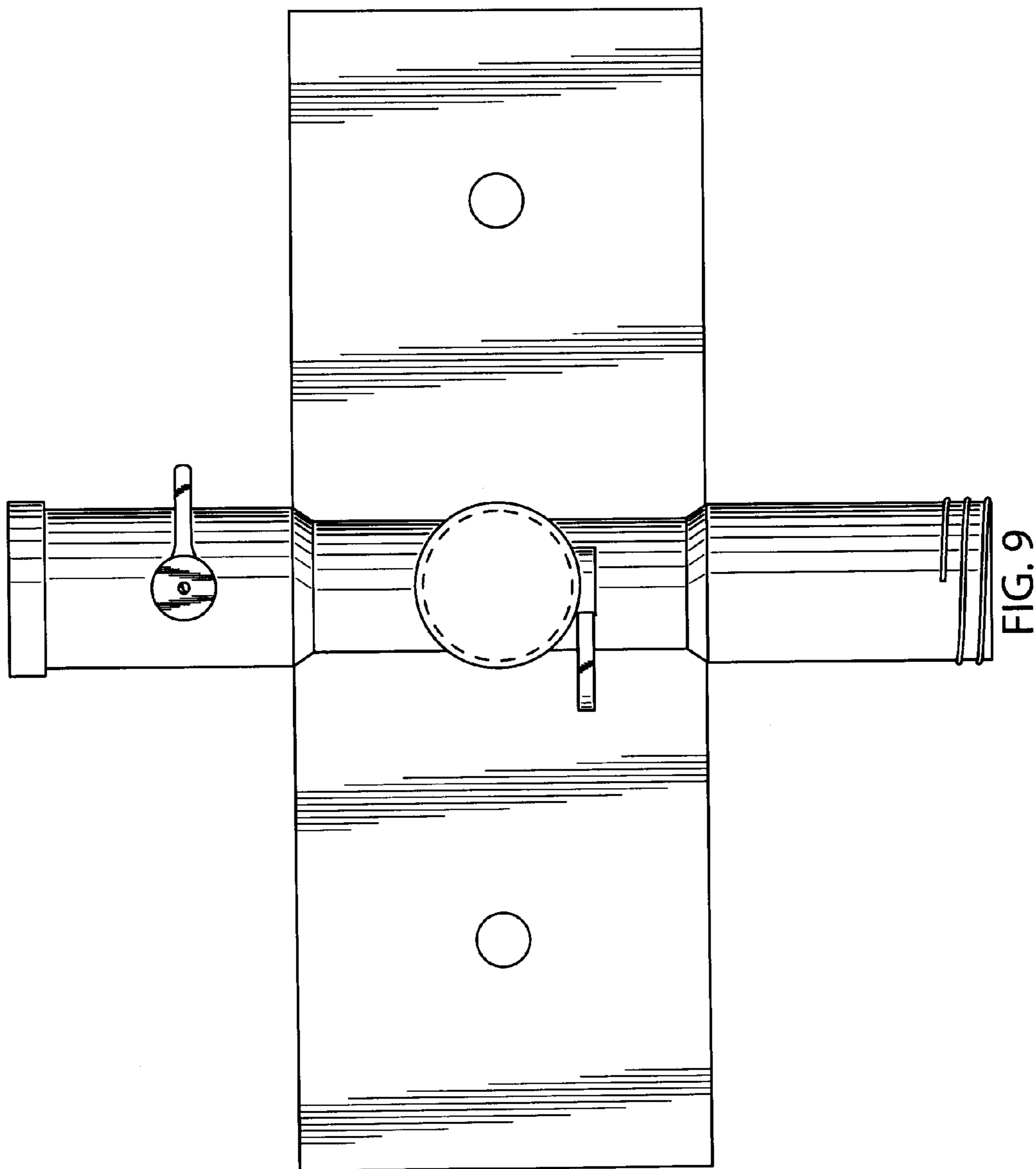
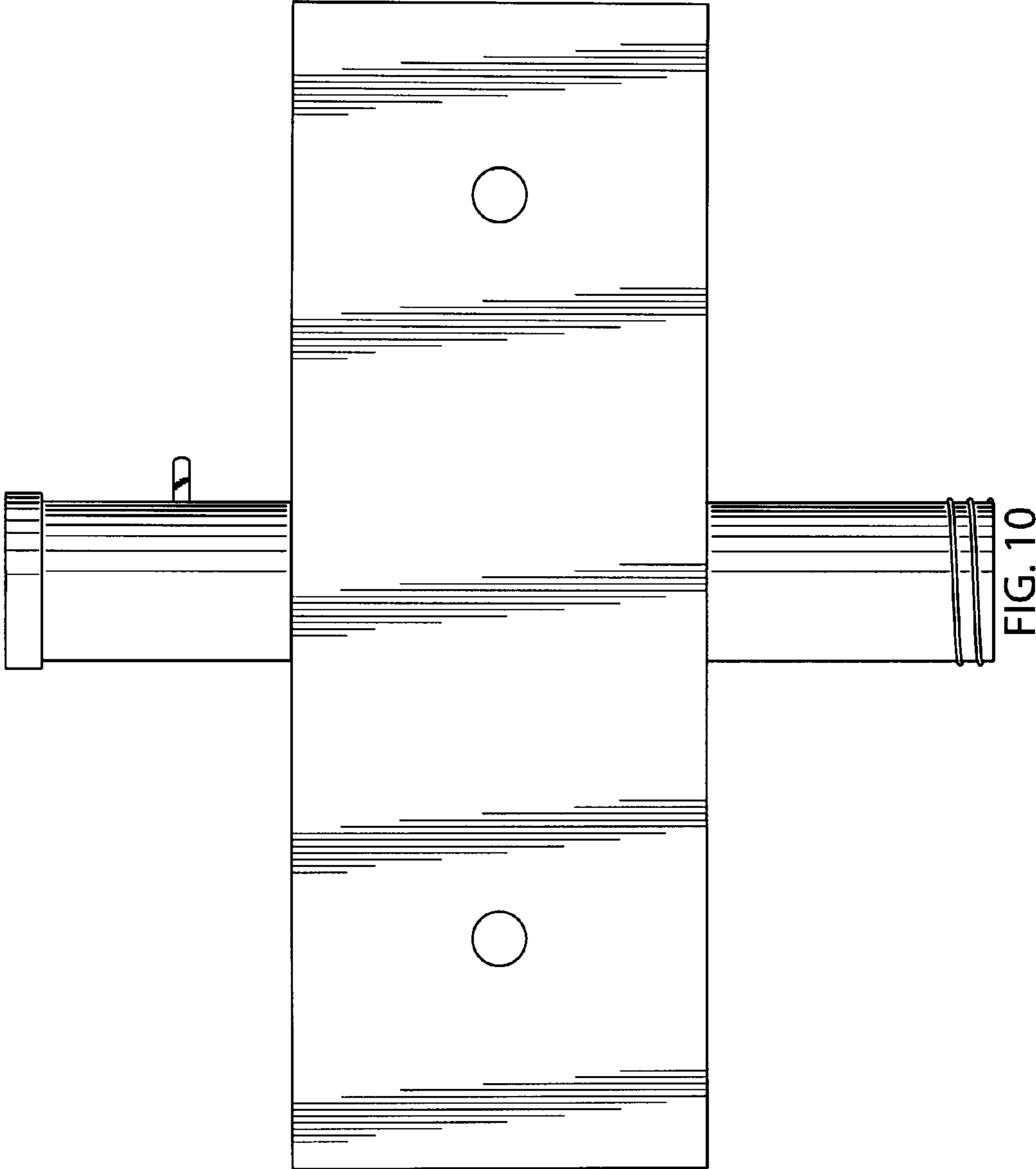


FIG. 9



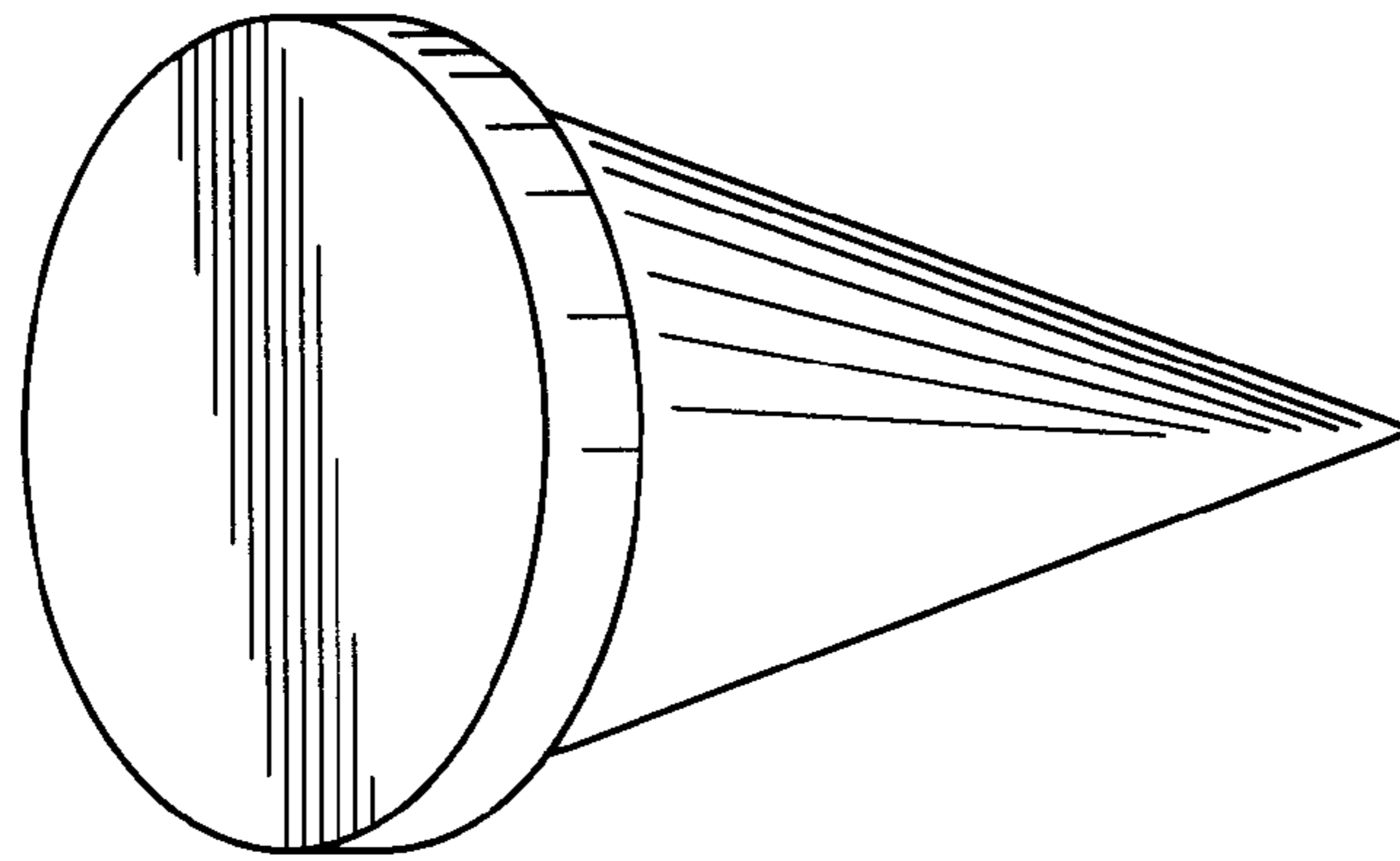


FIG. 11

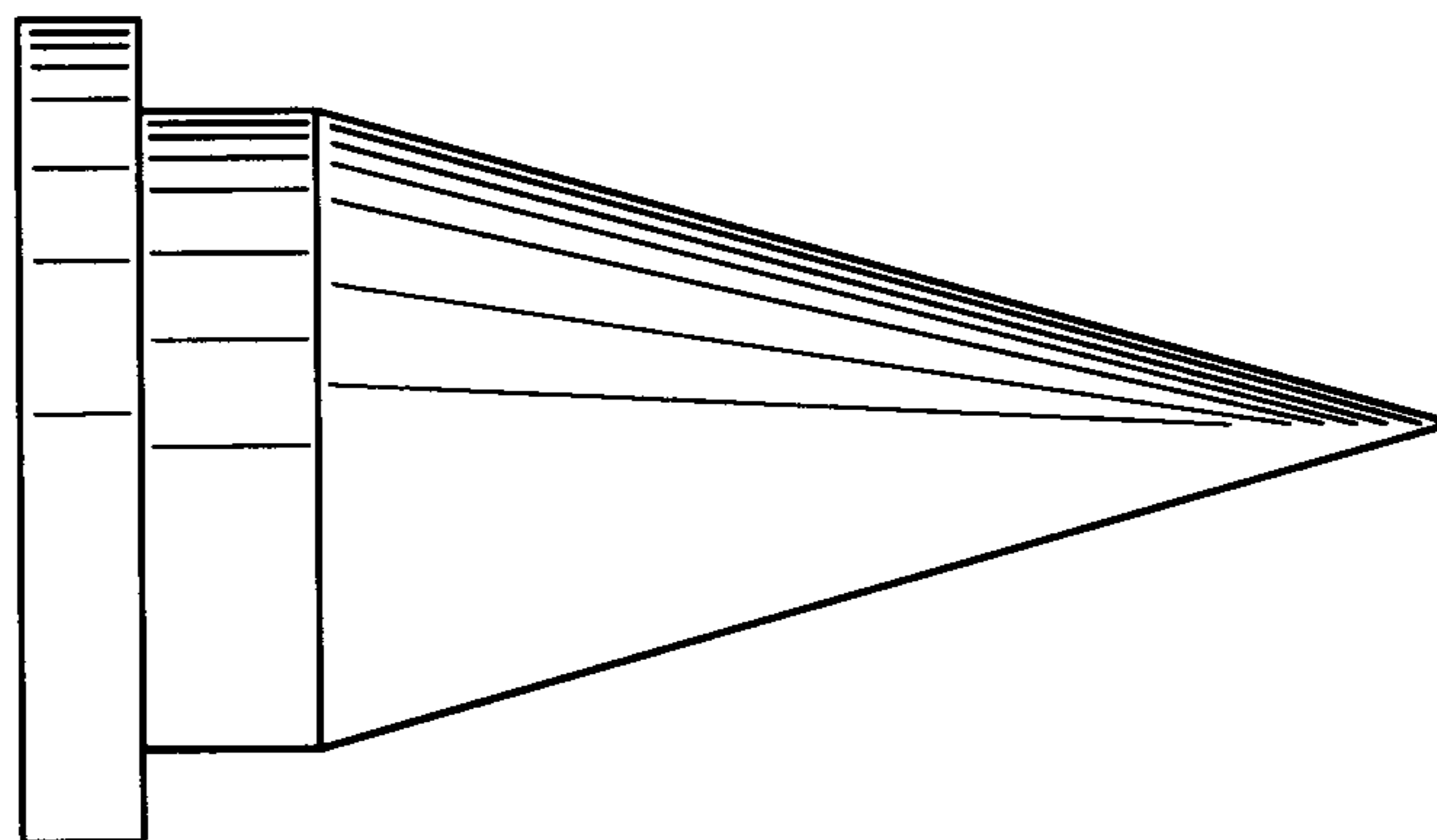


FIG. 13

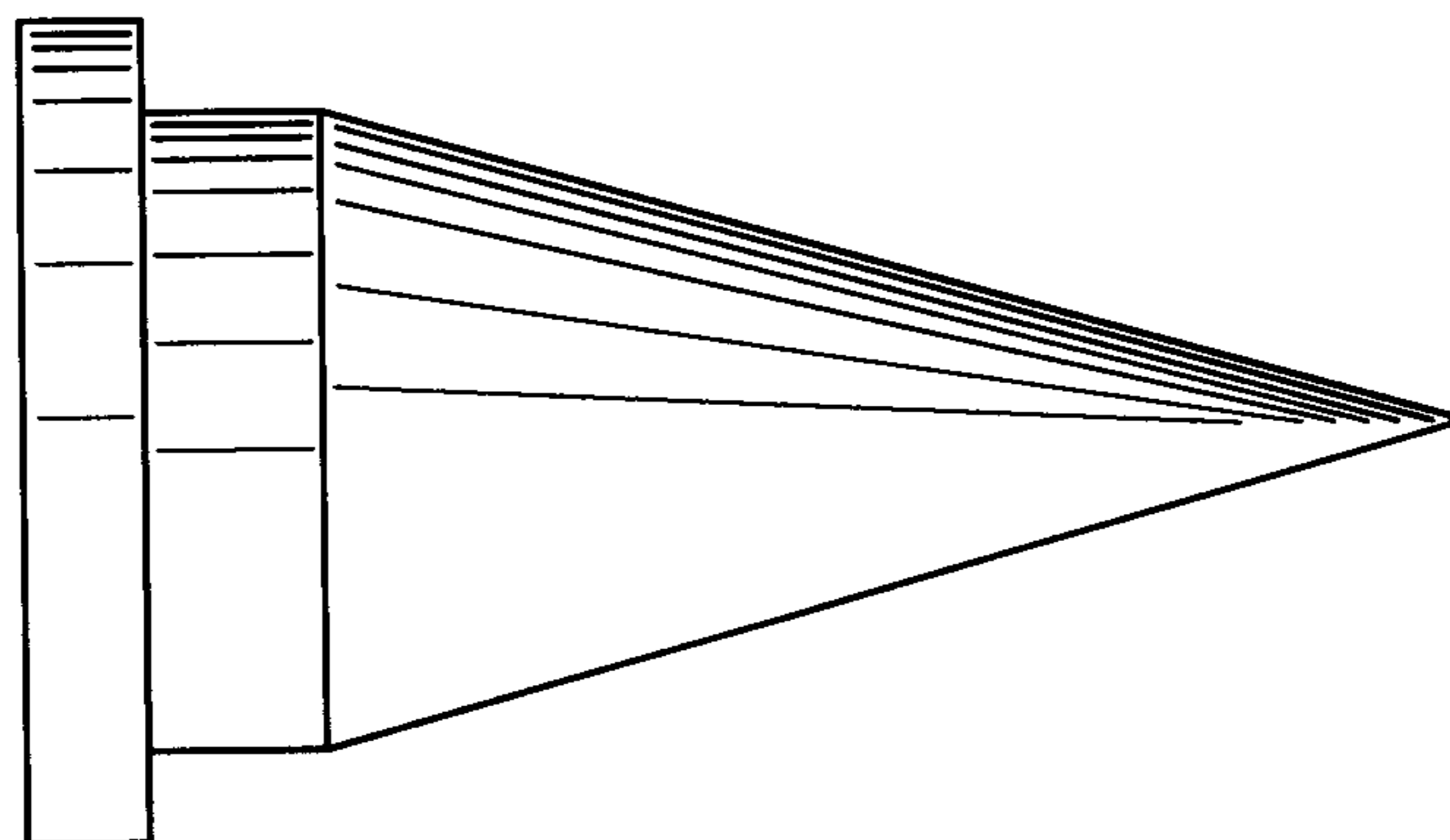


FIG. 12

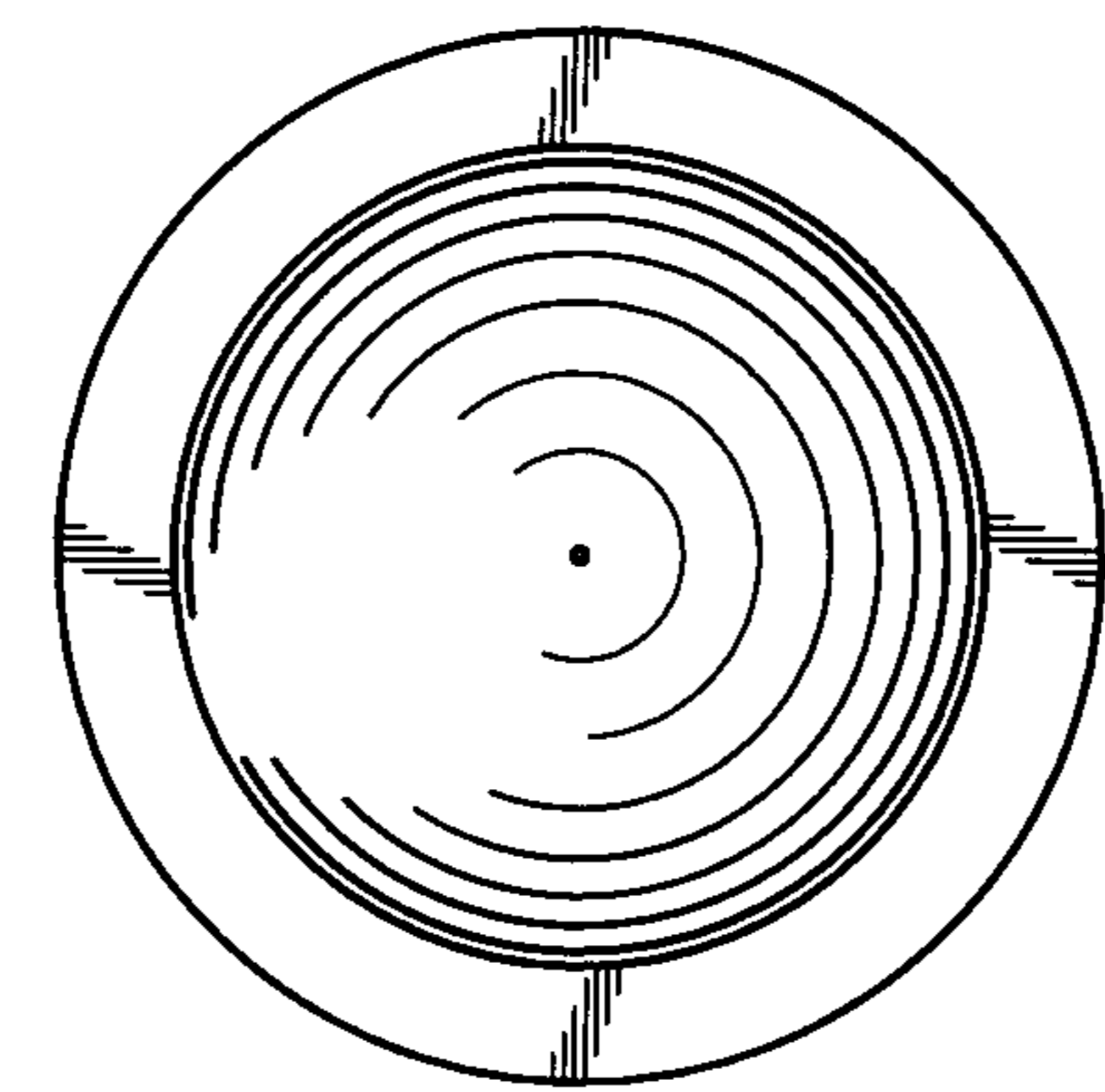


FIG. 15

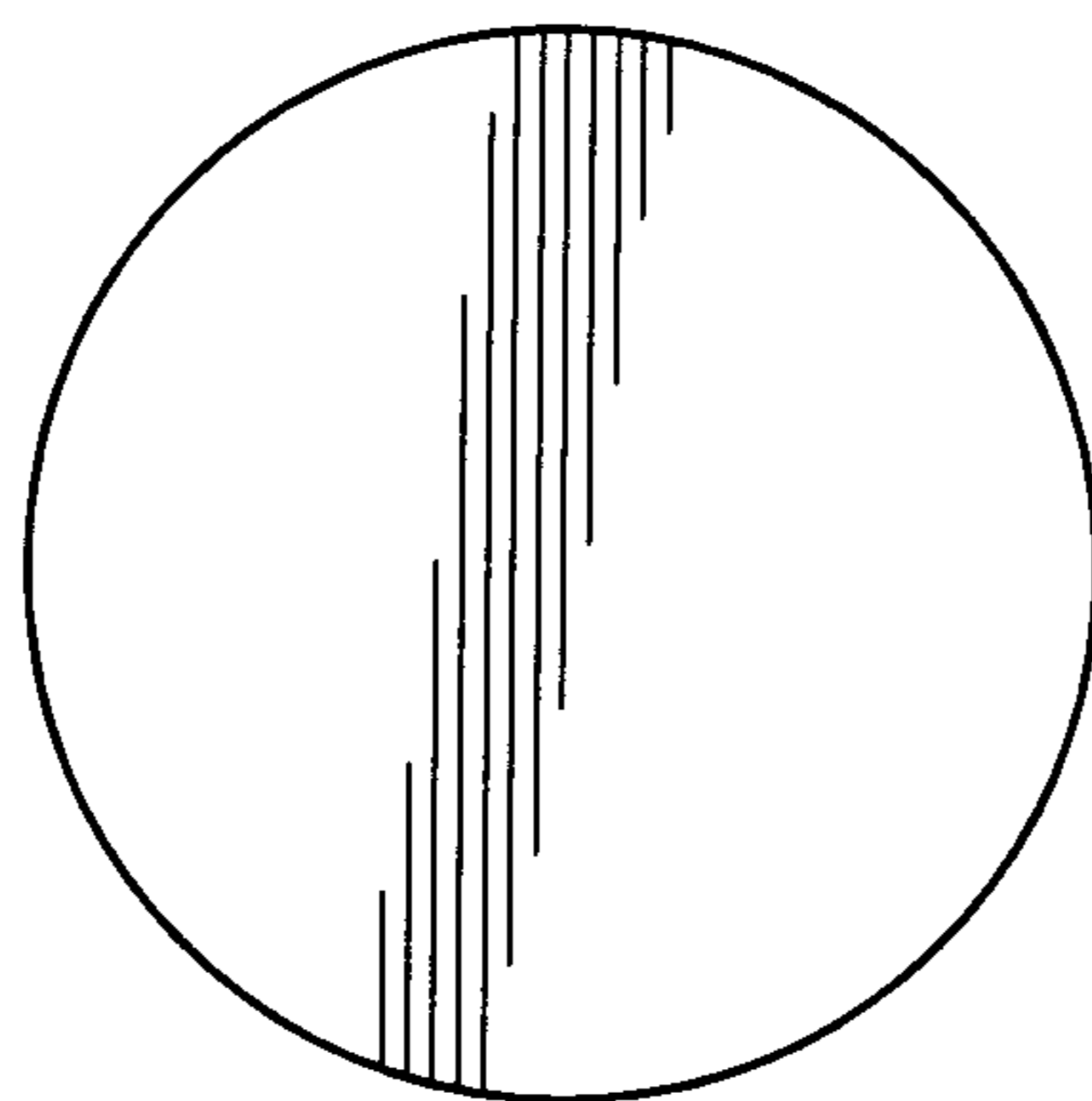


FIG. 14