



US00D745117S

(12) **United States Design Patent**
Ramey

(10) **Patent No.:** **US D745,117 S**

(45) **Date of Patent:** **** Dec. 8, 2015**

(54) **FITTINGS ASSEMBLY FOR TEMPORARY AND TIGHT JOINING OF ENDS OF TUBULAR MEMBERS**

Primary Examiner — Kevin Rudzinski
Assistant Examiner — John Reickel
(74) *Attorney, Agent, or Firm* — Heisler & Associates

(71) Applicant: **Willard Joseph Ramey**, Grass Valley, CA (US)

(57) **CLAIM**
The ornamental design for fittings assembly for temporary and tight joining of ends of tubular members, as shown and described.

(72) Inventor: **Willard Joseph Ramey**, Grass Valley, CA (US)

(**) Term: **14 Years**

DESCRIPTION

(21) Appl. No.: **29/457,226**

FIG. 1 is a perspective view of the fitting assembly for temporary and tight joining of ends of tubular members according to a first embodiment;

(22) Filed: **Jun. 7, 2013**

FIG. 2 is a right side elevation view of a lower portion of the invention shown separately for ease of illustration, the left side being a mirror image;

(51) **LOC (10) Cl.** **23-01**

(52) **U.S. Cl.**
USPC **D23/262**

FIG. 3 is a front elevation view thereof;

(58) **Field of Classification Search**

USPC D23/223, 226, 233, 259–269;
285/86–93, 179–182

FIG. 4 is a top plan view thereof;

CPC F16L 2201/20; F16L 2201/60; F16L 2201/10; F16L 37/133; F16L 37/0985; F16L 27/0845; F16L 43/008; B29C 66/5229

FIG. 5 is a bottom plan view thereof;

See application file for complete search history.

FIG. 6 is a right side elevation view of an upper portion of the invention shown separately for ease of illustration;

FIG. 7 is a left side elevation view thereof;

FIG. 8 is a front elevation view thereof;

FIG. 9 is a rear elevation view thereof;

FIG. 10 is a bottom plan view thereof;

FIG. 11 is a top plan view thereof;

FIG. 12 is a perspective view of an upper portion of the invention according to a second embodiment shown separately for ease of illustration;

FIG. 13 is a left side elevation view thereof;

FIG. 14 is a right side elevation view thereof;

FIG. 15 is a rear elevation view thereof;

FIG. 16 is a front elevation view thereof;

FIG. 17 is a bottom plan view thereof; and,

FIG. 18 is a top plan view thereof.

The broken line showing is included for the purpose of illustrating portions of the article and forms no part of the claimed design.

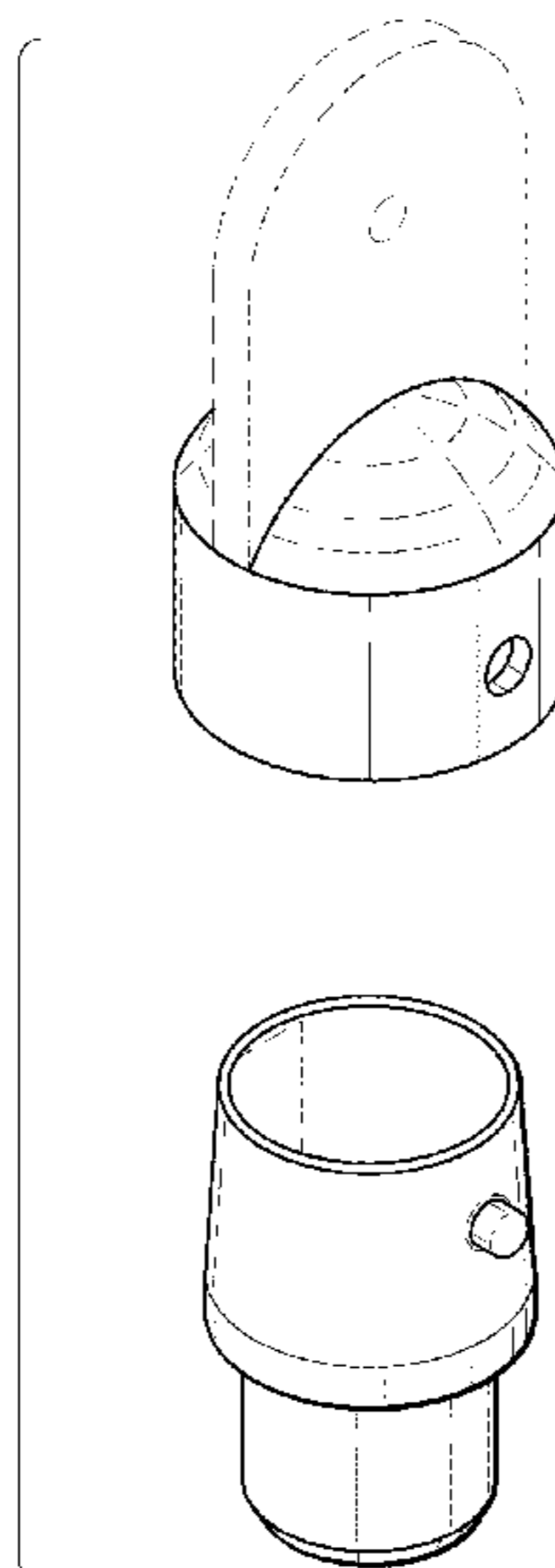
(56) **References Cited**

U.S. PATENT DOCUMENTS

3,652,779	A *	3/1972	Grinols	174/38
3,812,279	A *	5/1974	Voegeli	174/38
D234,847	S *	4/1975	Hoffman	D23/262
D258,526	S *	3/1981	Nederman	D23/262
D311,573	S *	10/1990	Lewis	D23/262
D423,460	S *	4/2000	Lux, Jr.	D13/152
7,174,753	B2 *	2/2007	Gahlhoff et al.	70/168
D599,894	S *	9/2009	Price et al.	D23/262
D681,798	S *	5/2013	Nagasaka et al.	D23/393
D706,133	S *	6/2014	Robinson	D9/434
2005/0134044	A1 *	6/2005	Svetlik	285/337

* cited by examiner

1 Claim, 5 Drawing Sheets



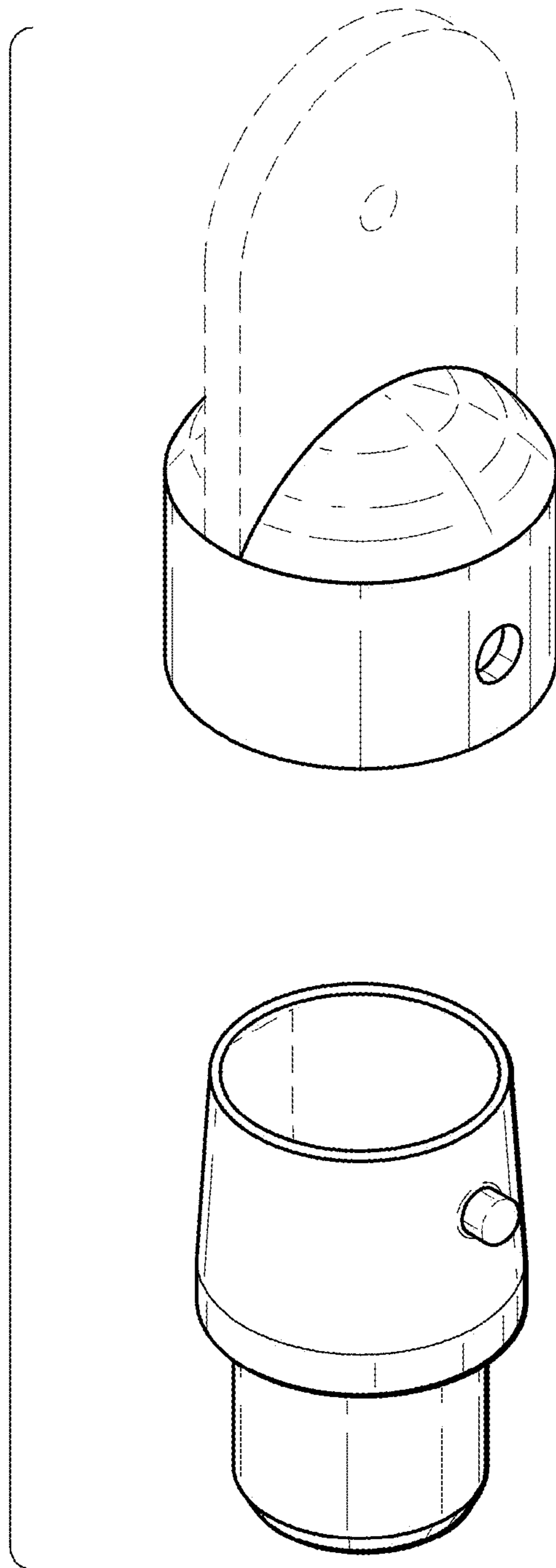


FIG. 1

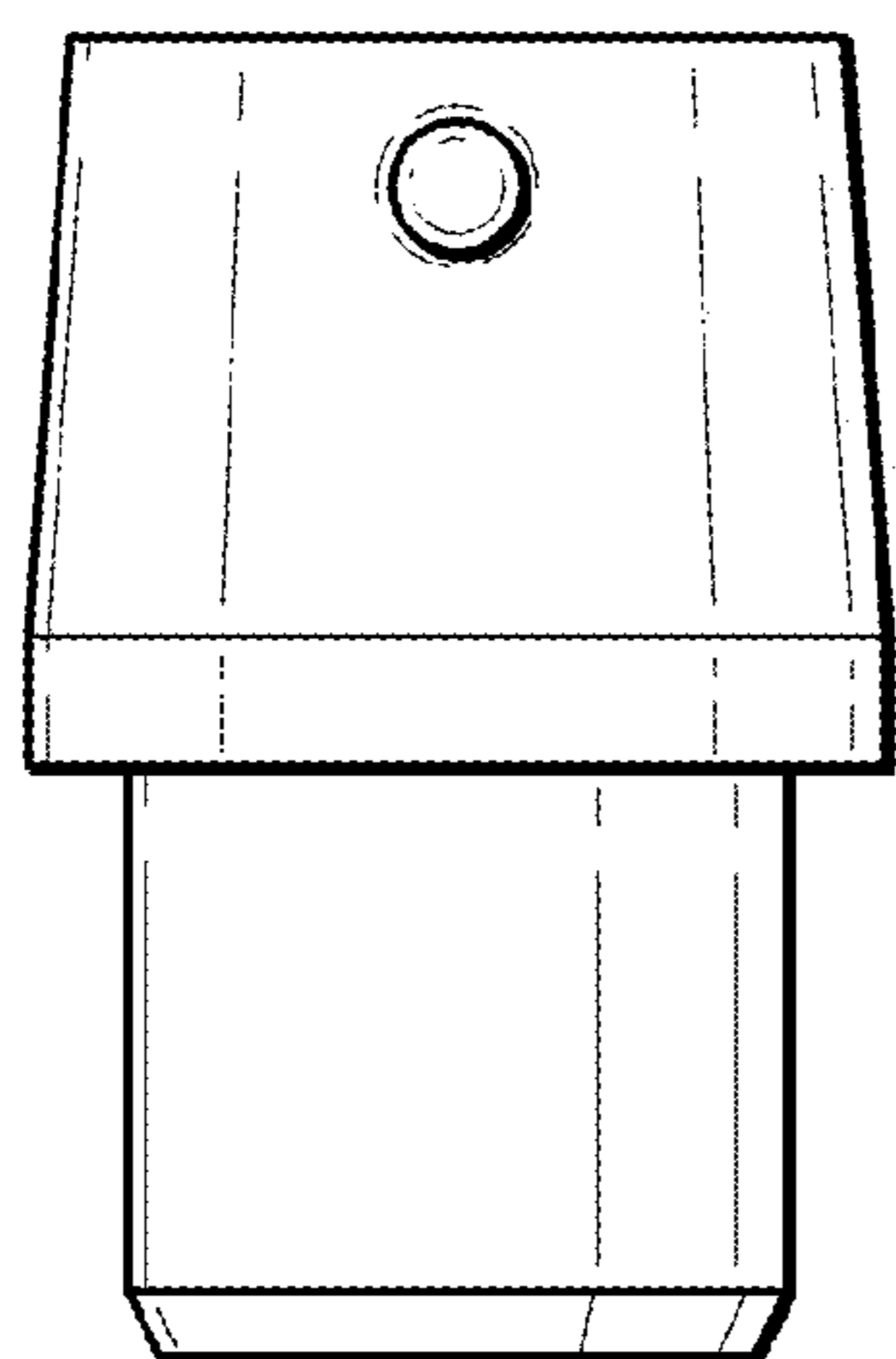


FIG. 2

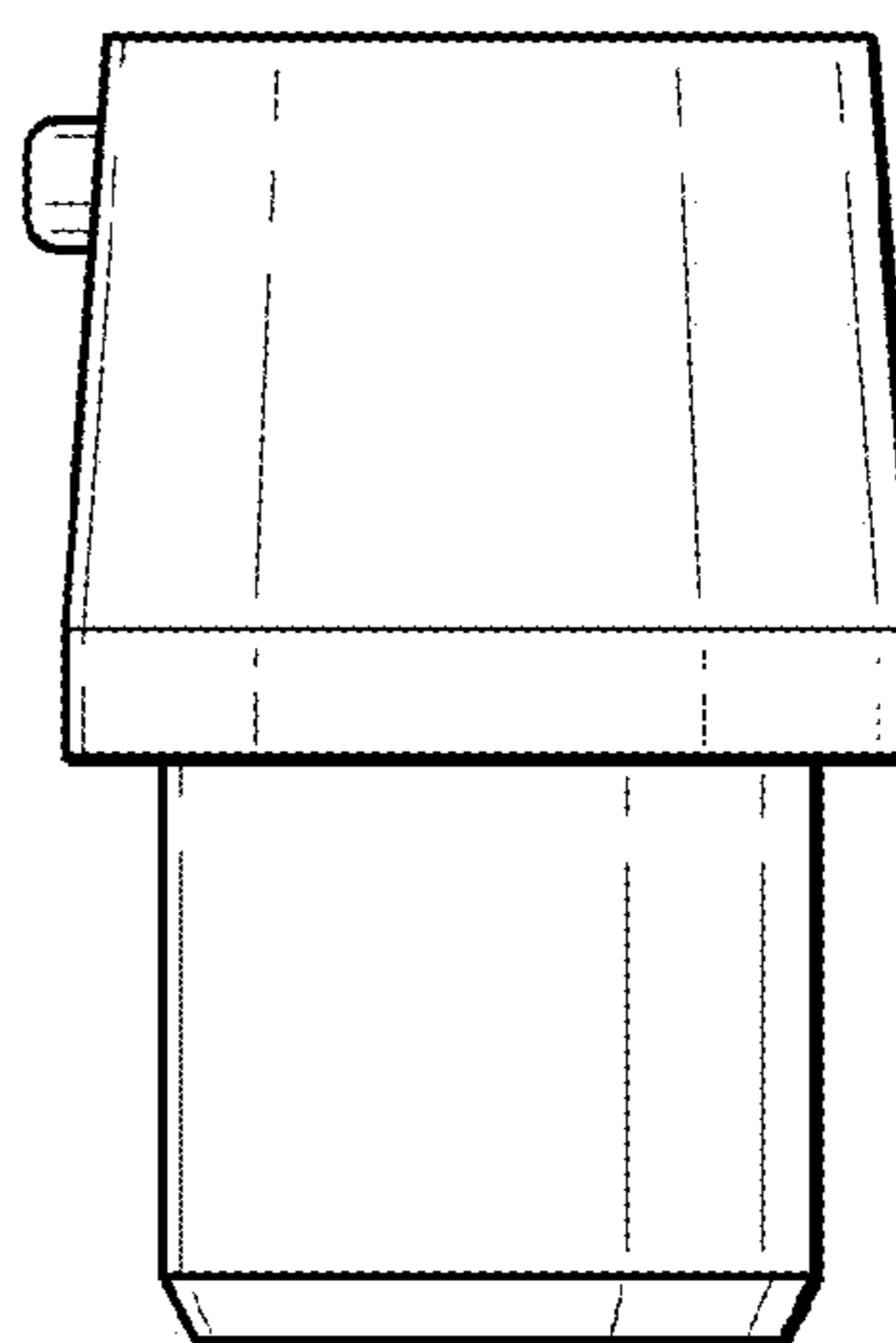


FIG. 3

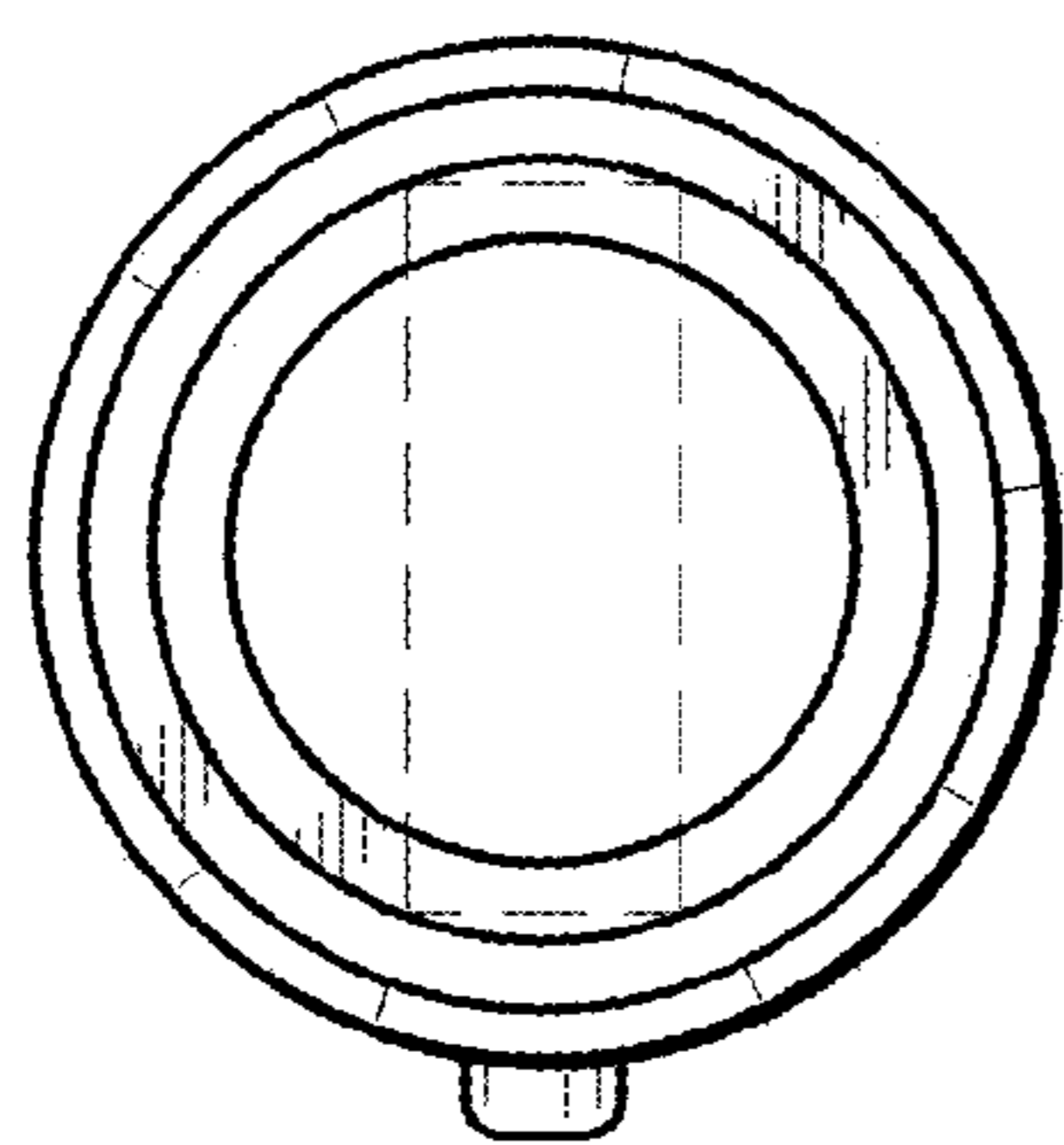


FIG. 4

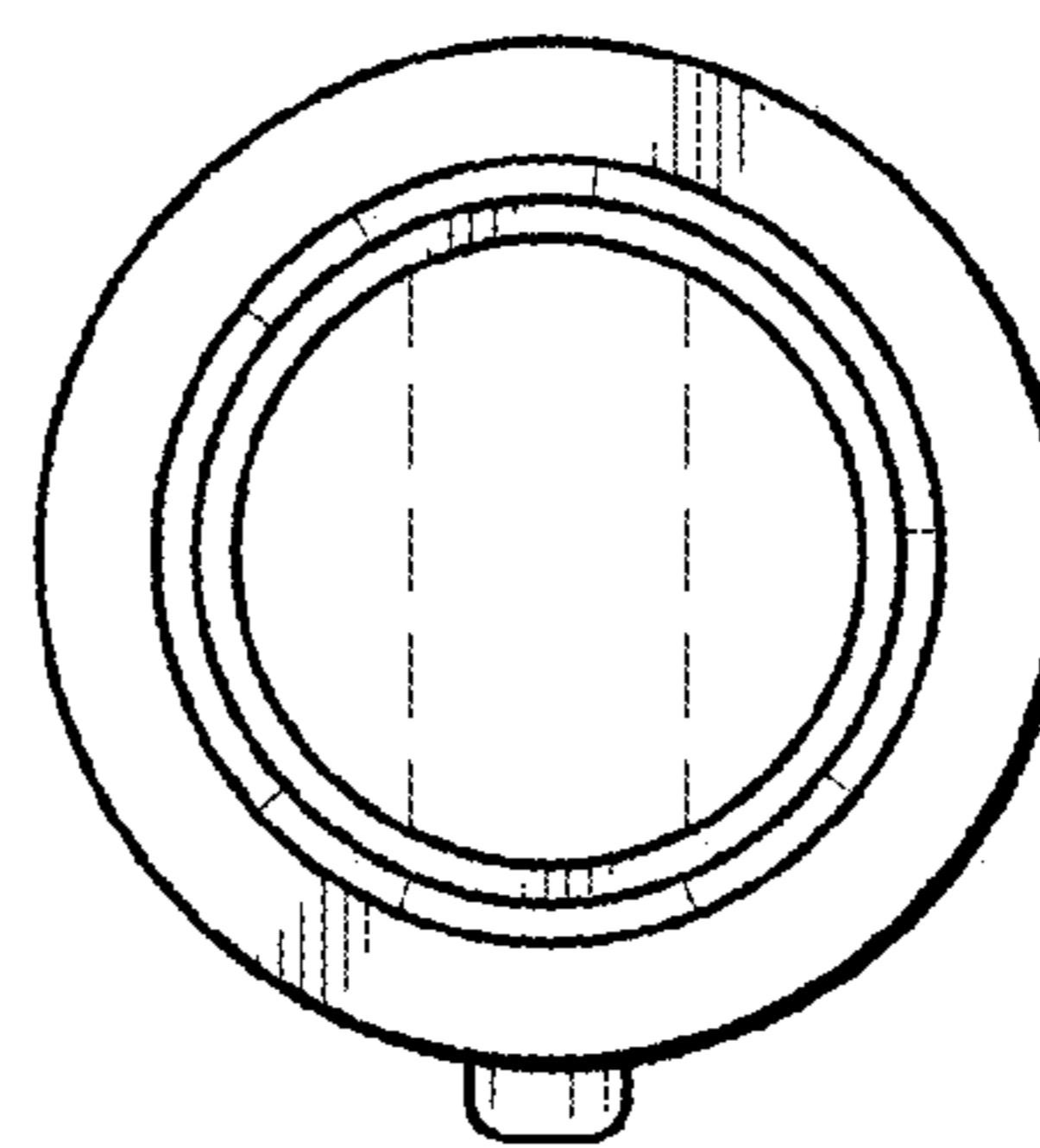


FIG. 5

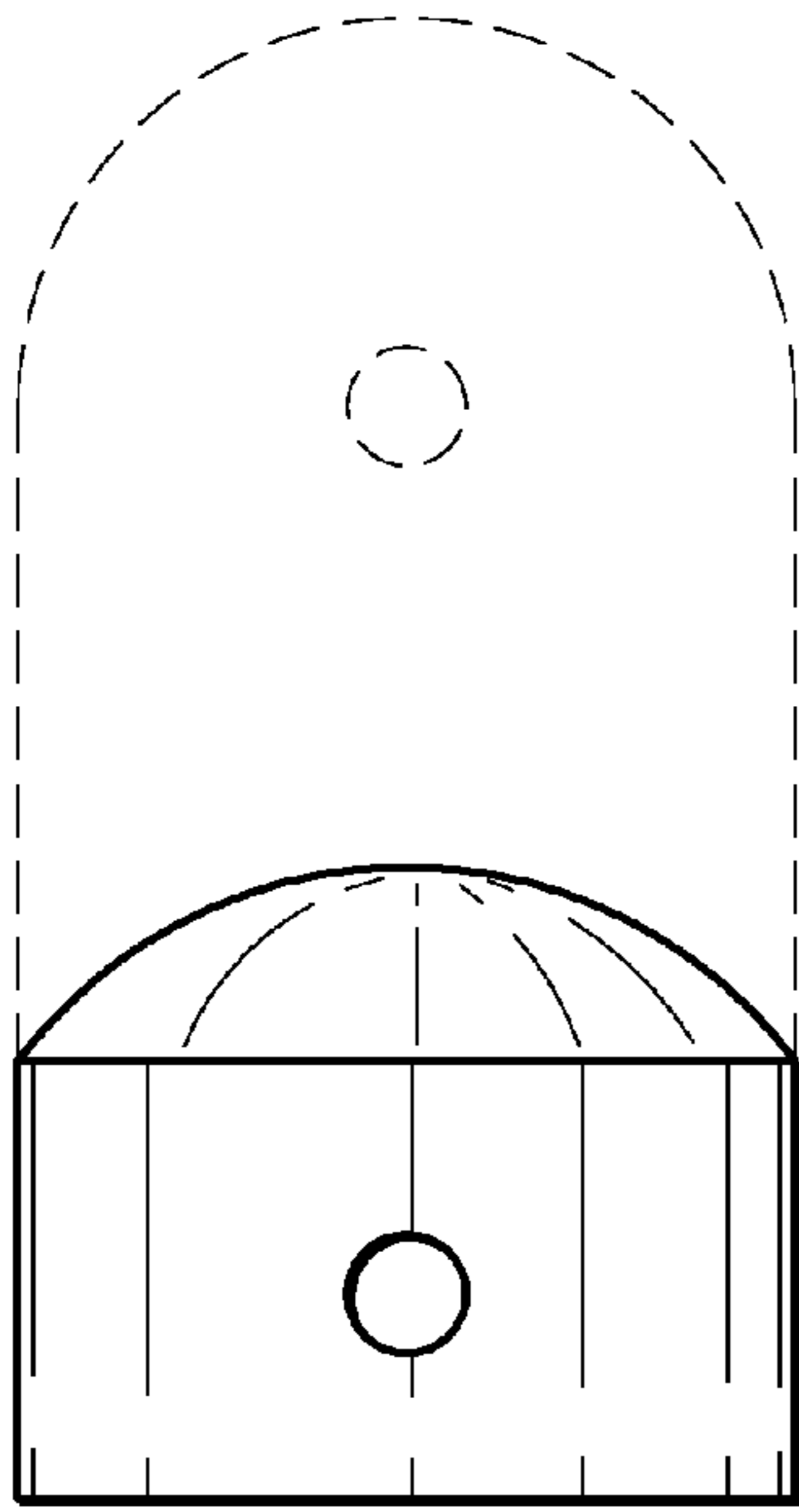


FIG. 6

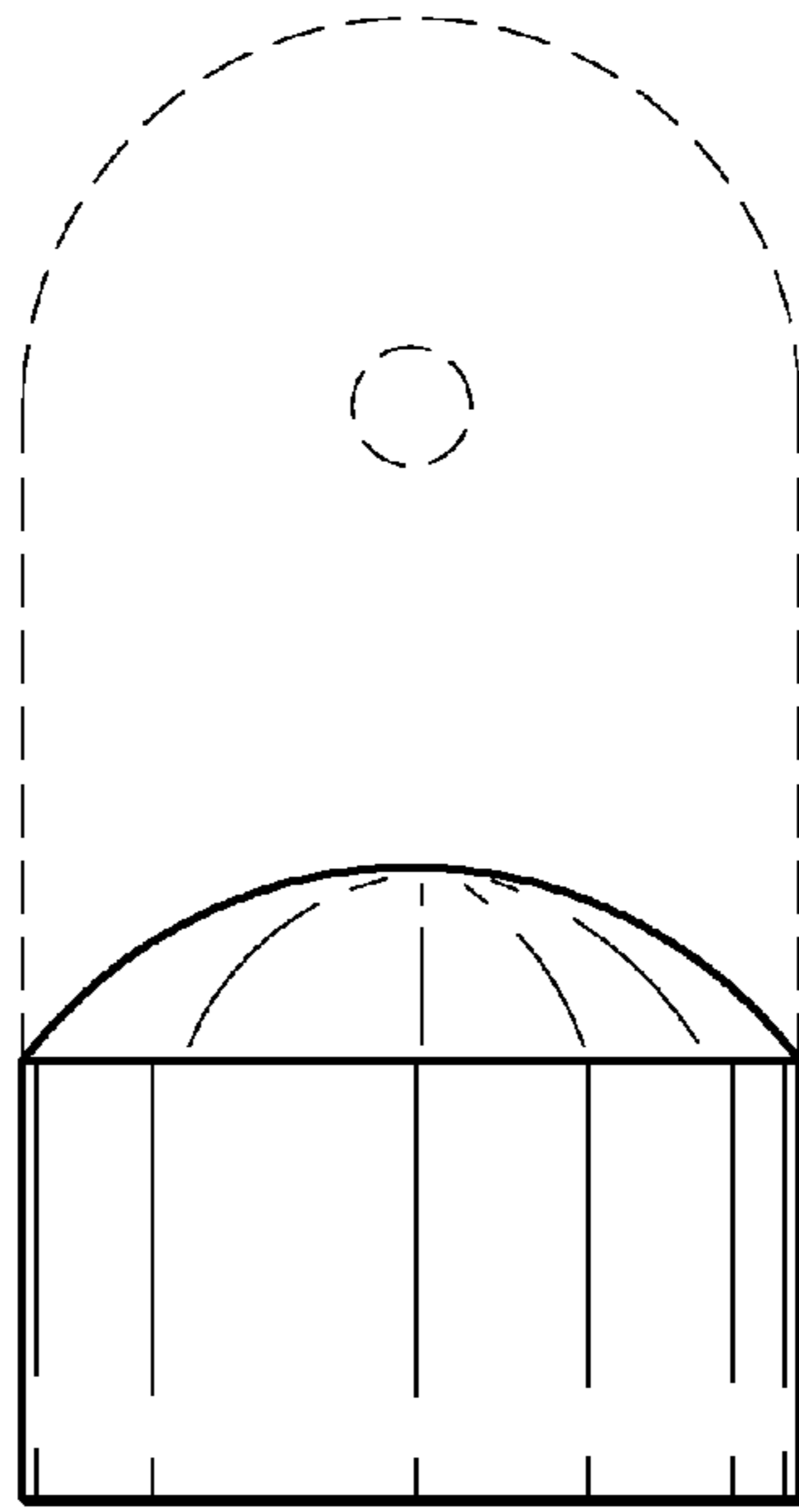


FIG. 7

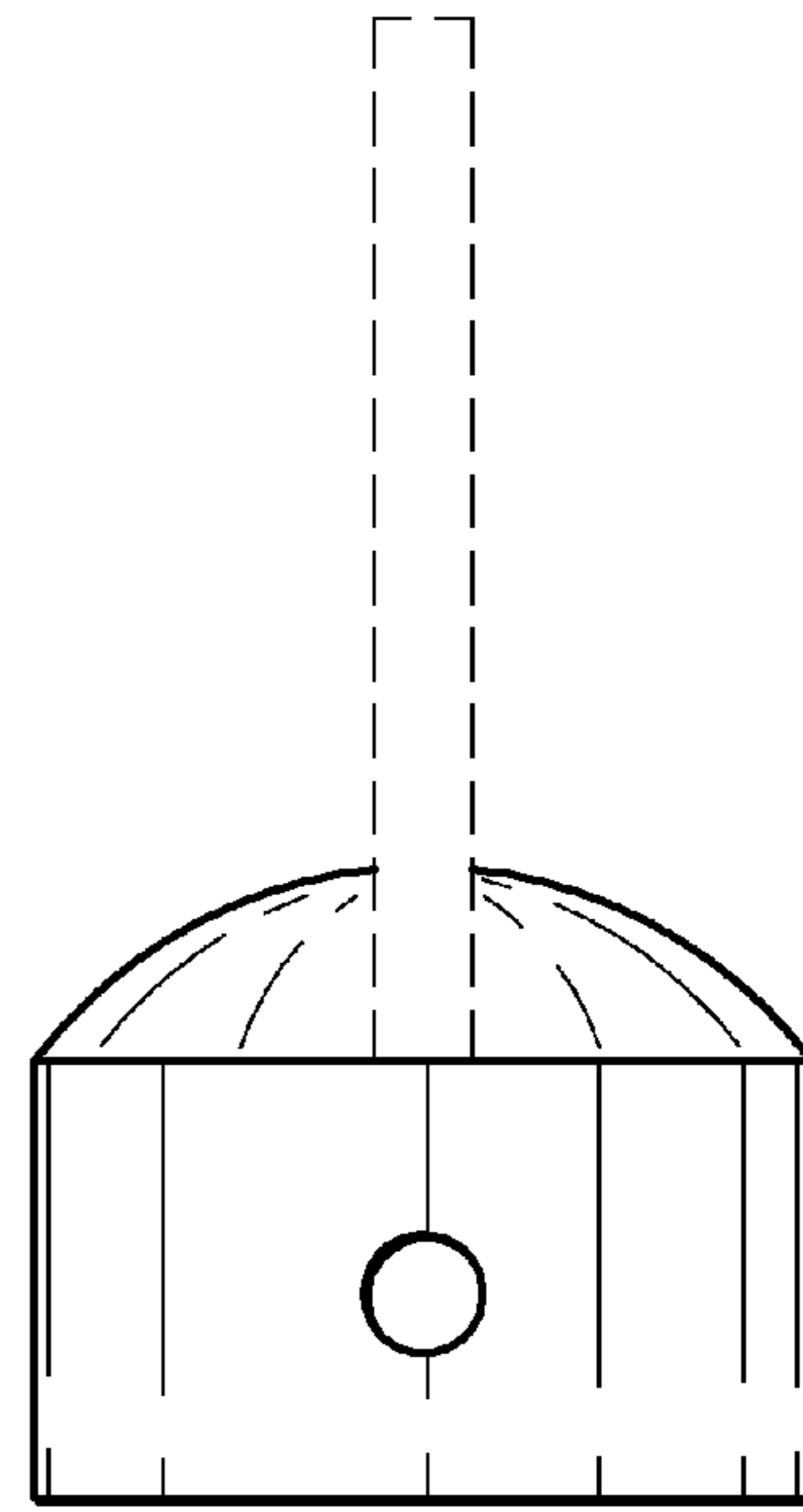


FIG. 8

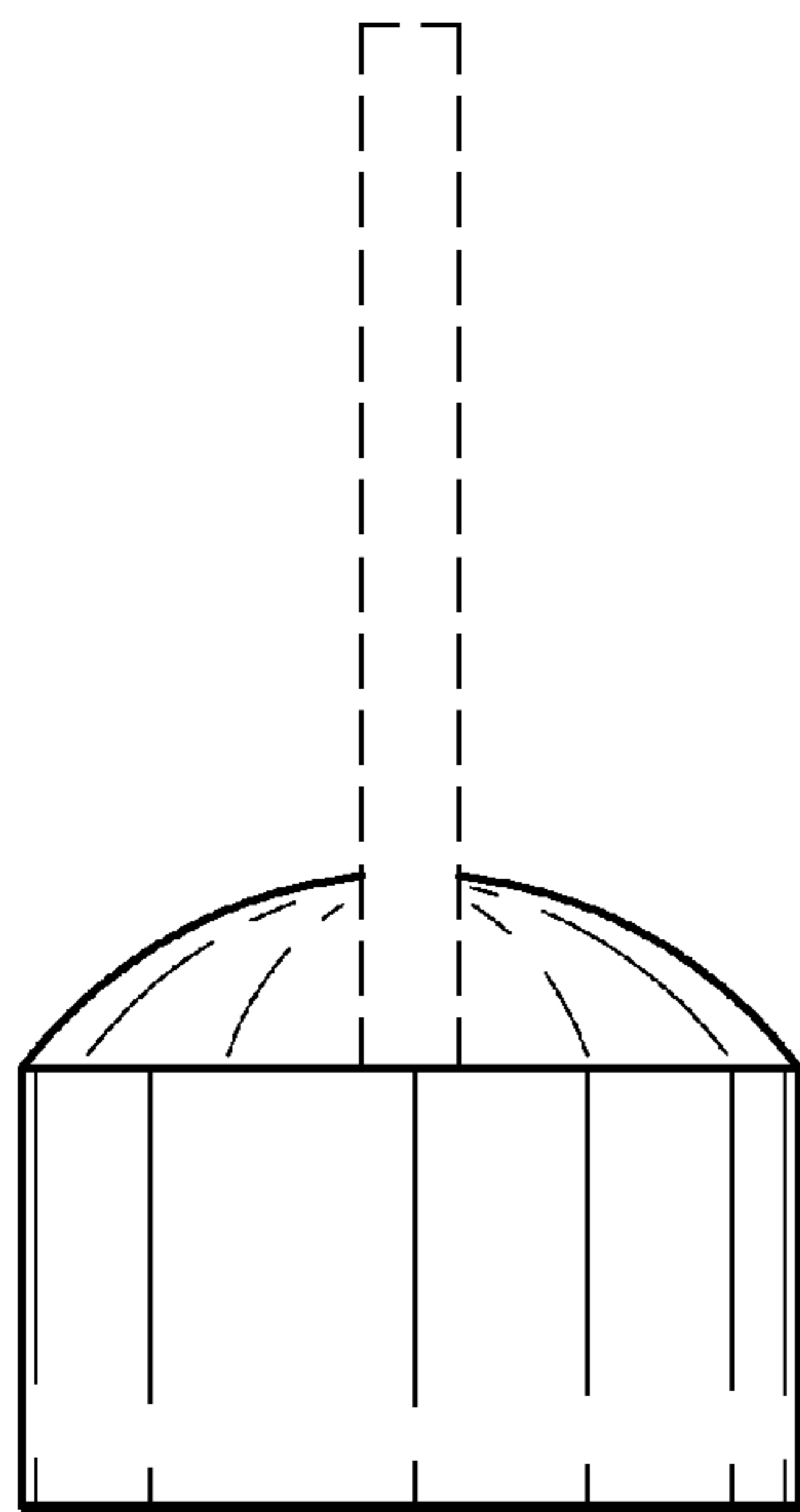


FIG. 9

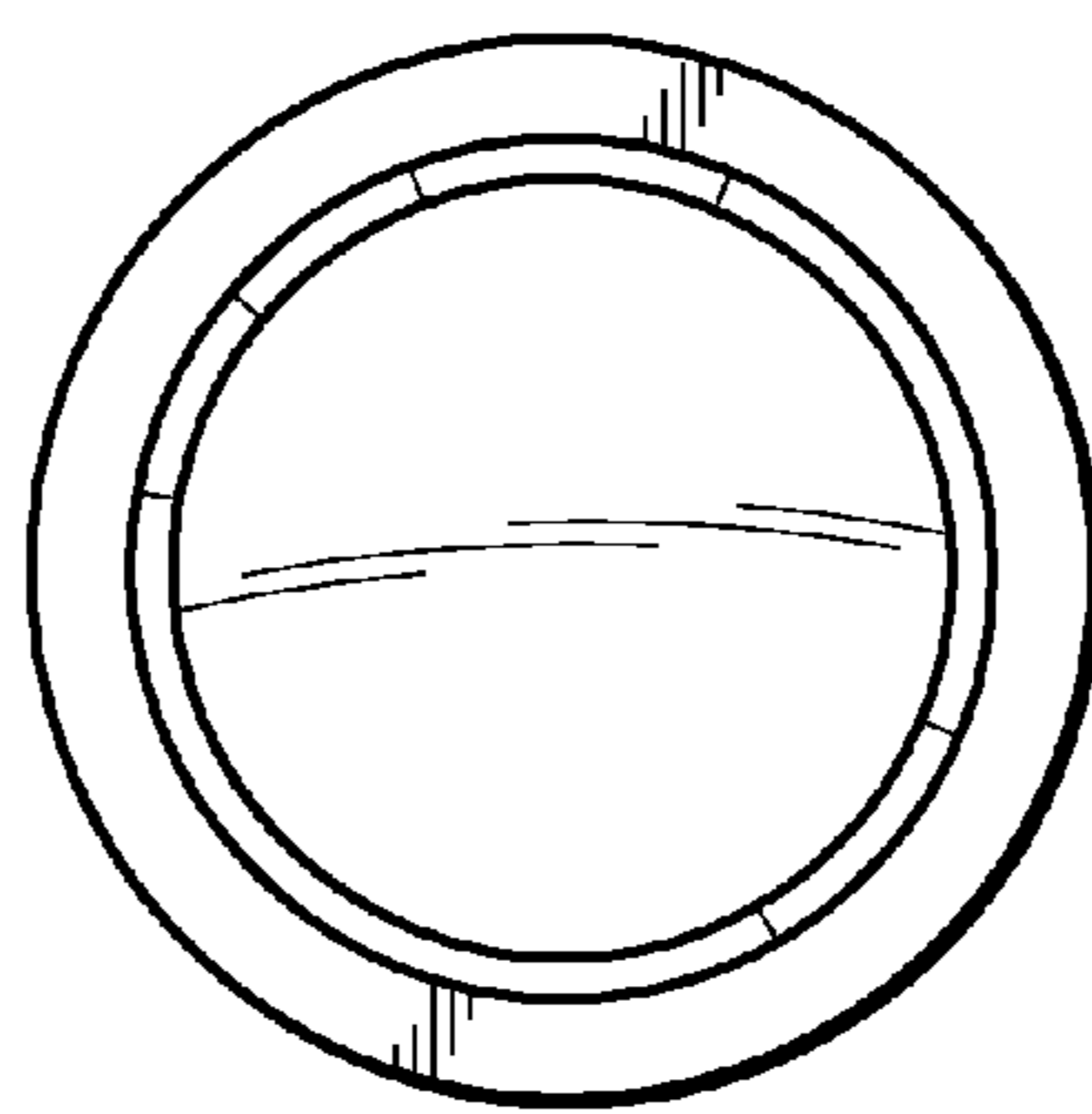


FIG. 10

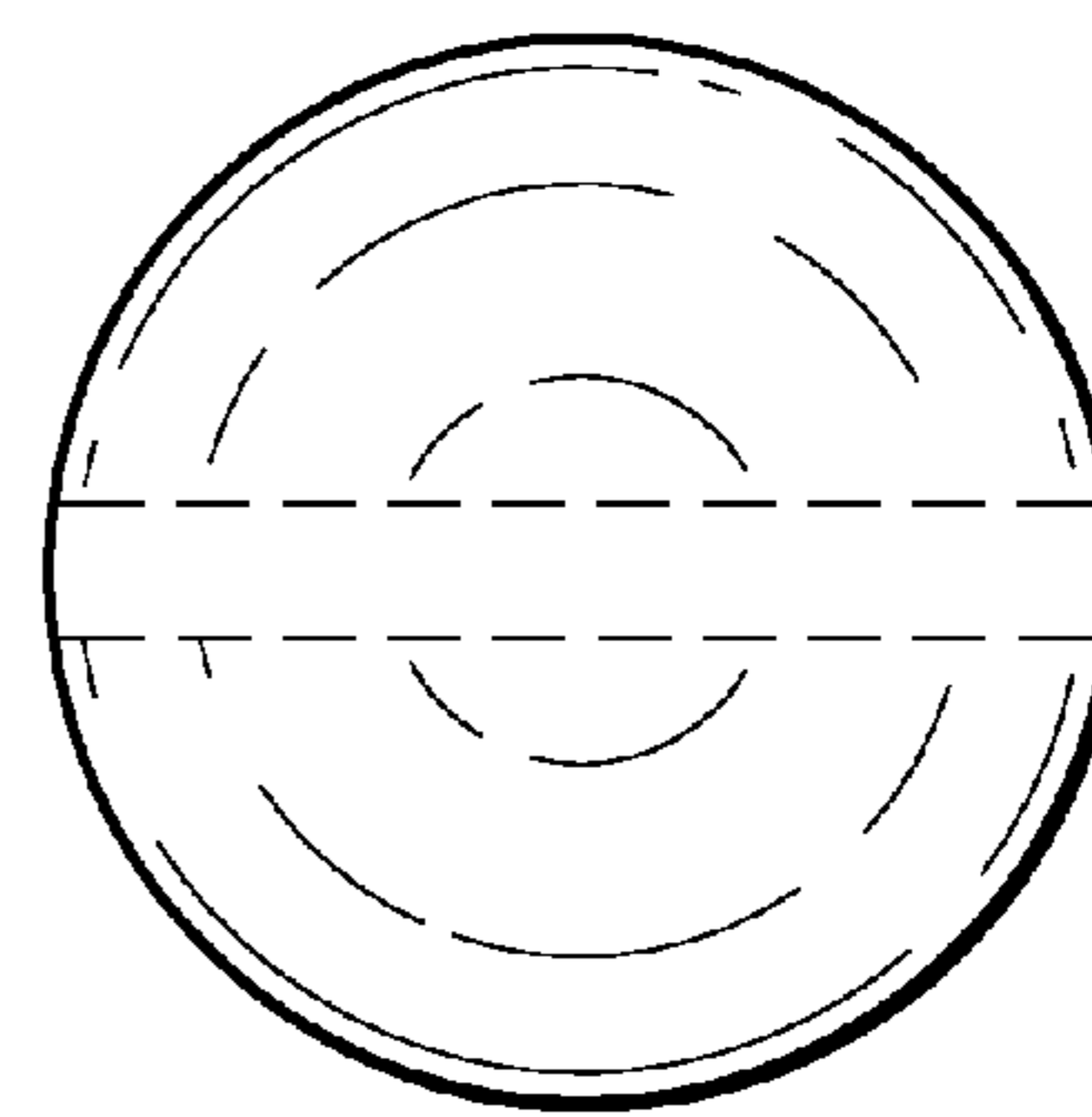


FIG. 11

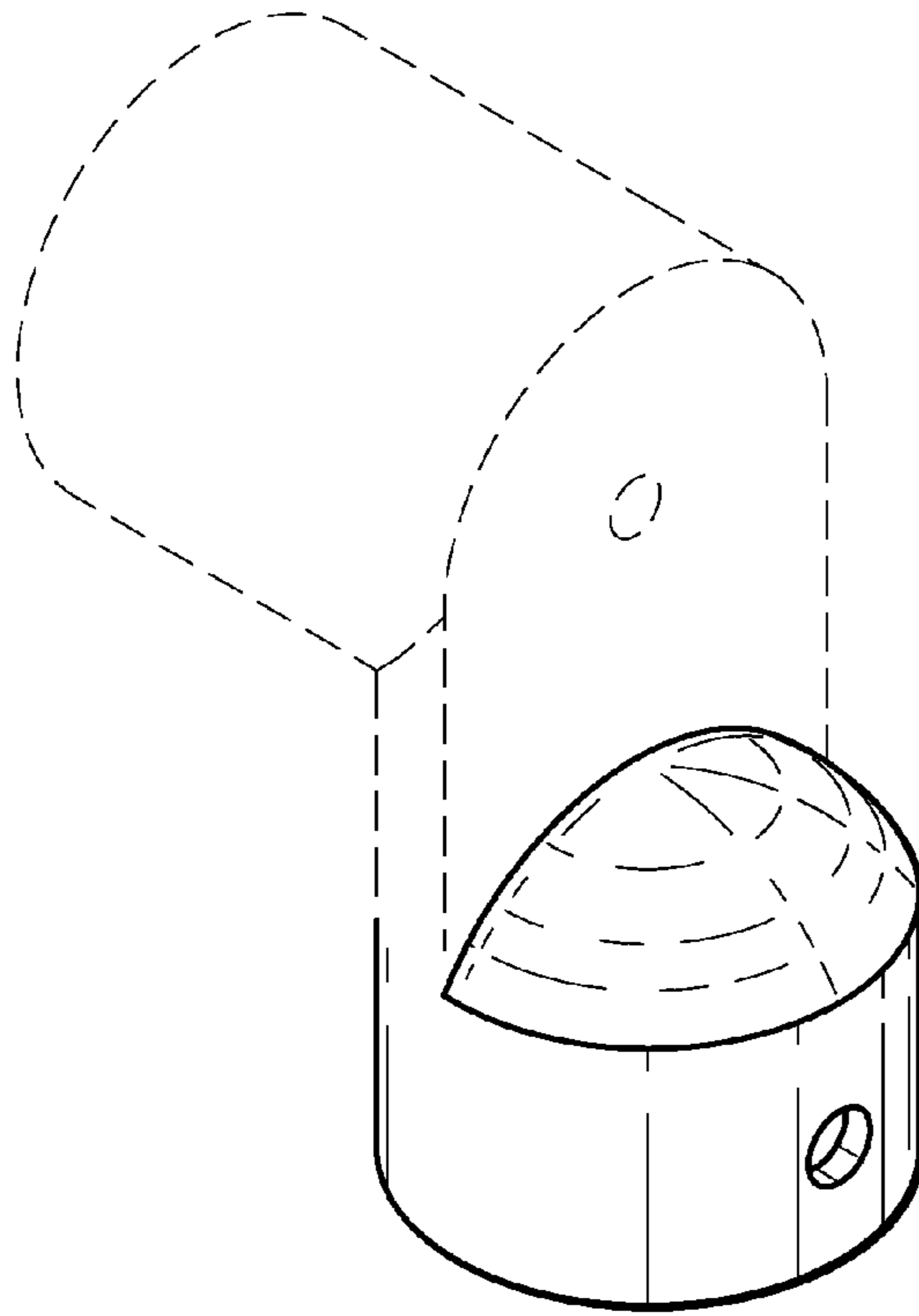


FIG. 12

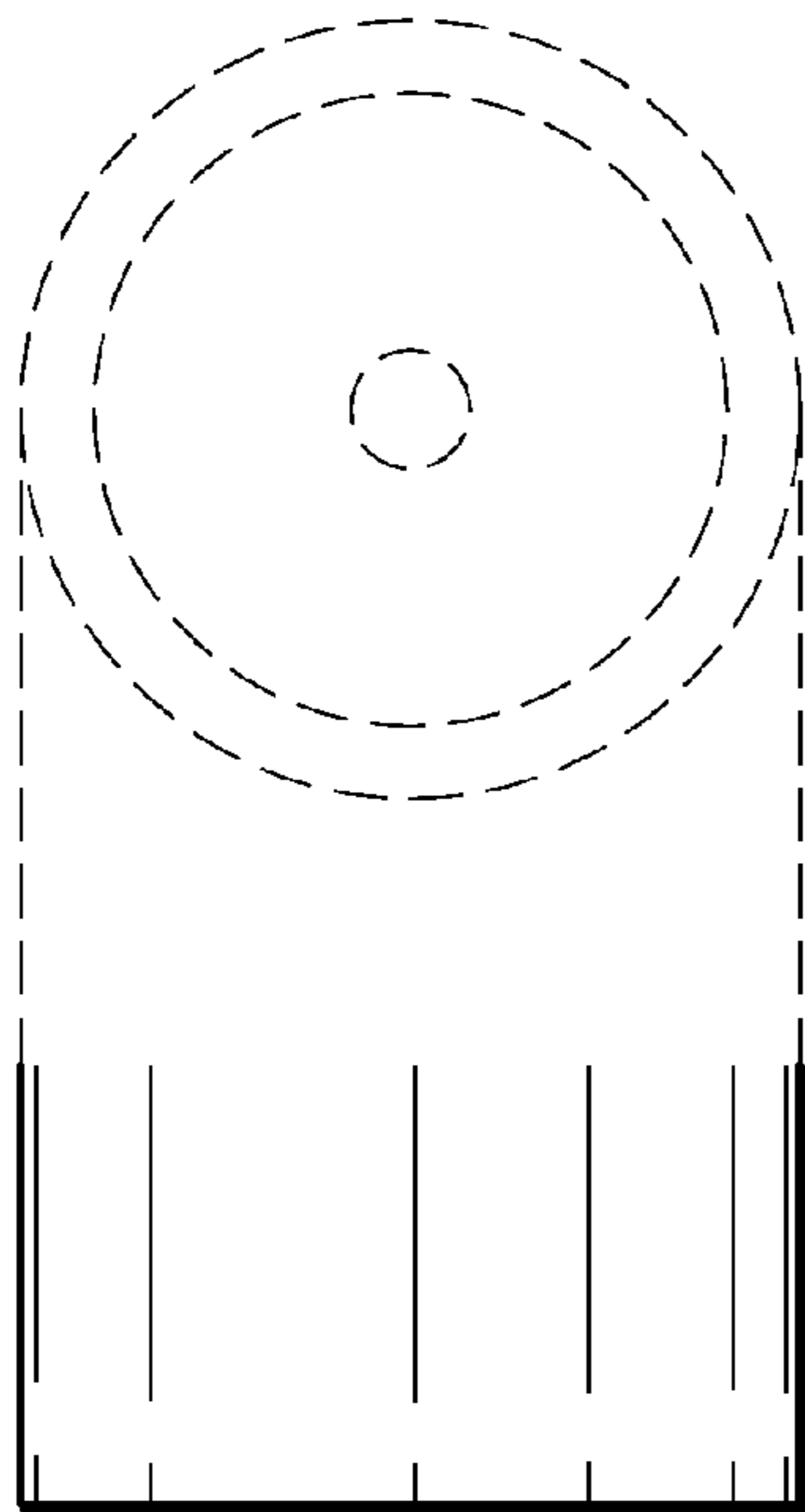


FIG. 13

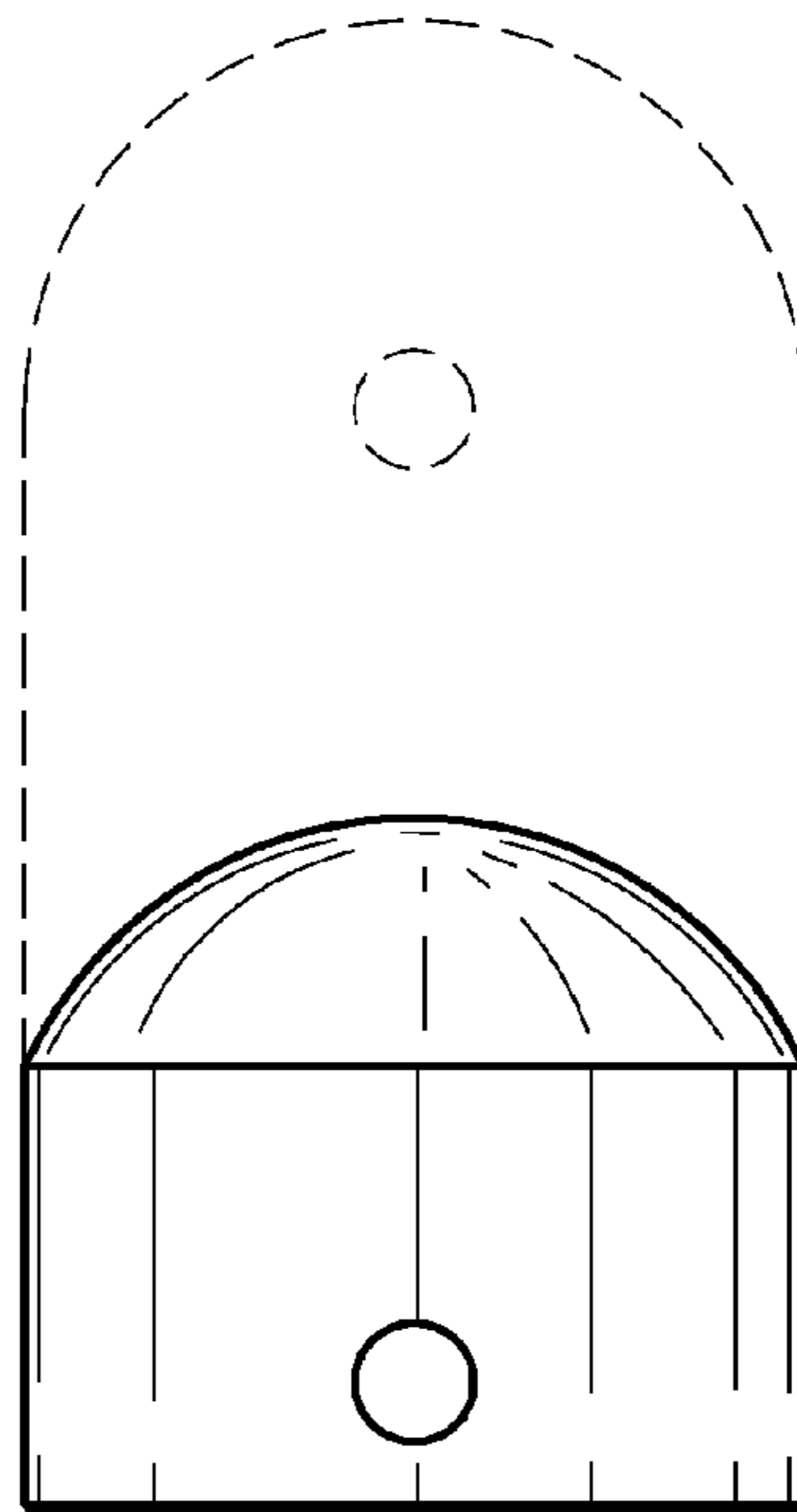


FIG. 14

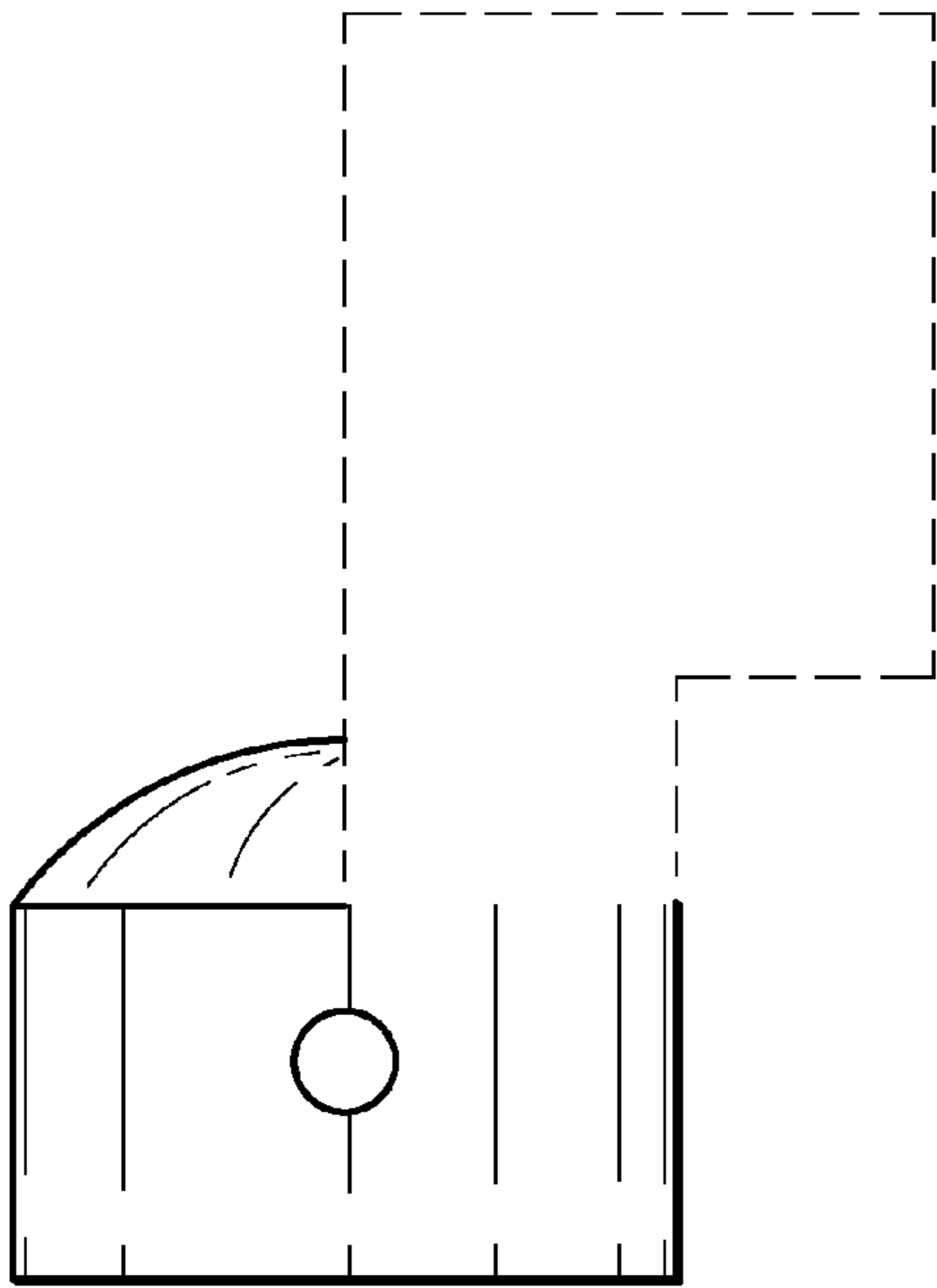


FIG. 15

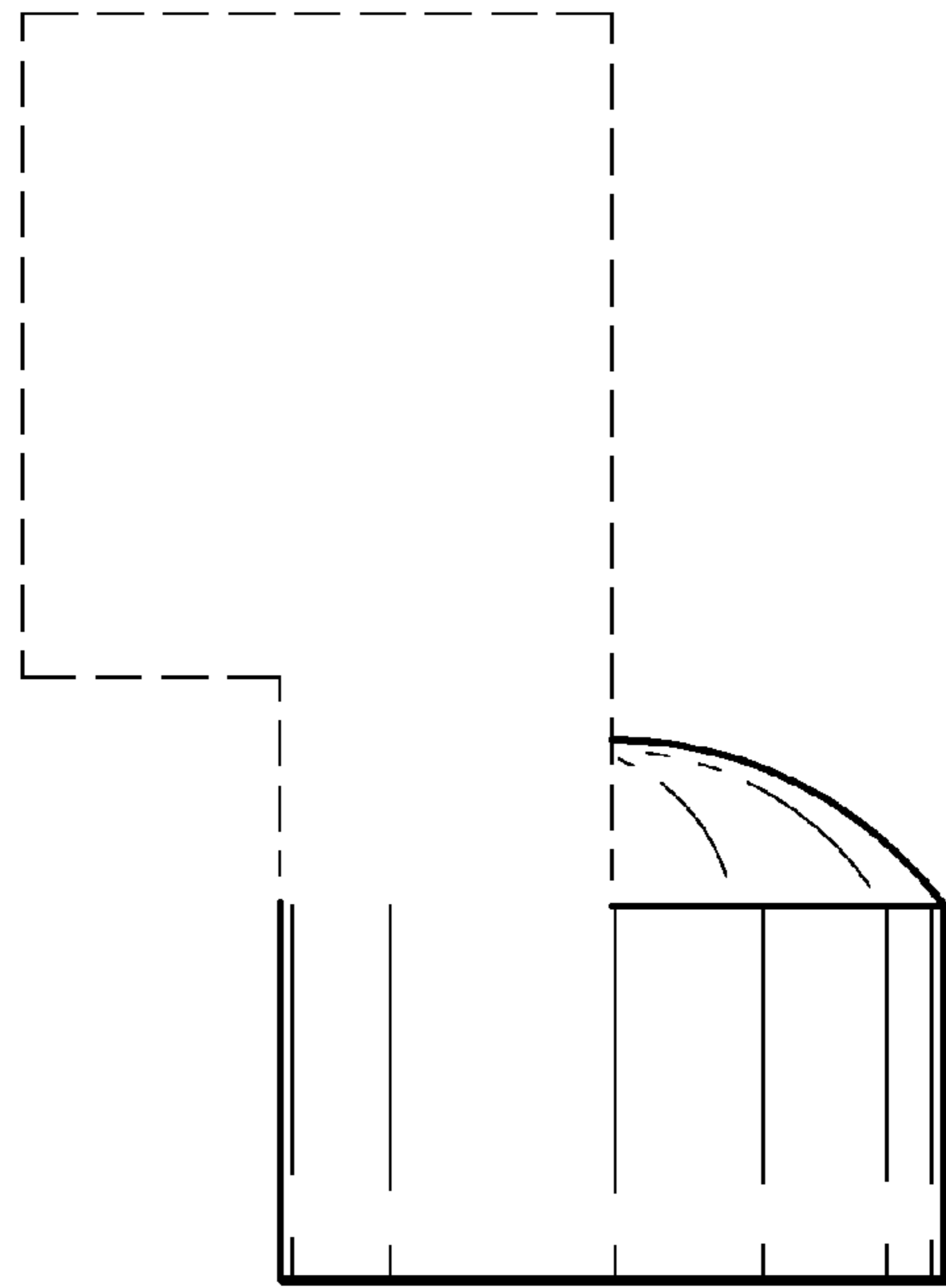


FIG. 16

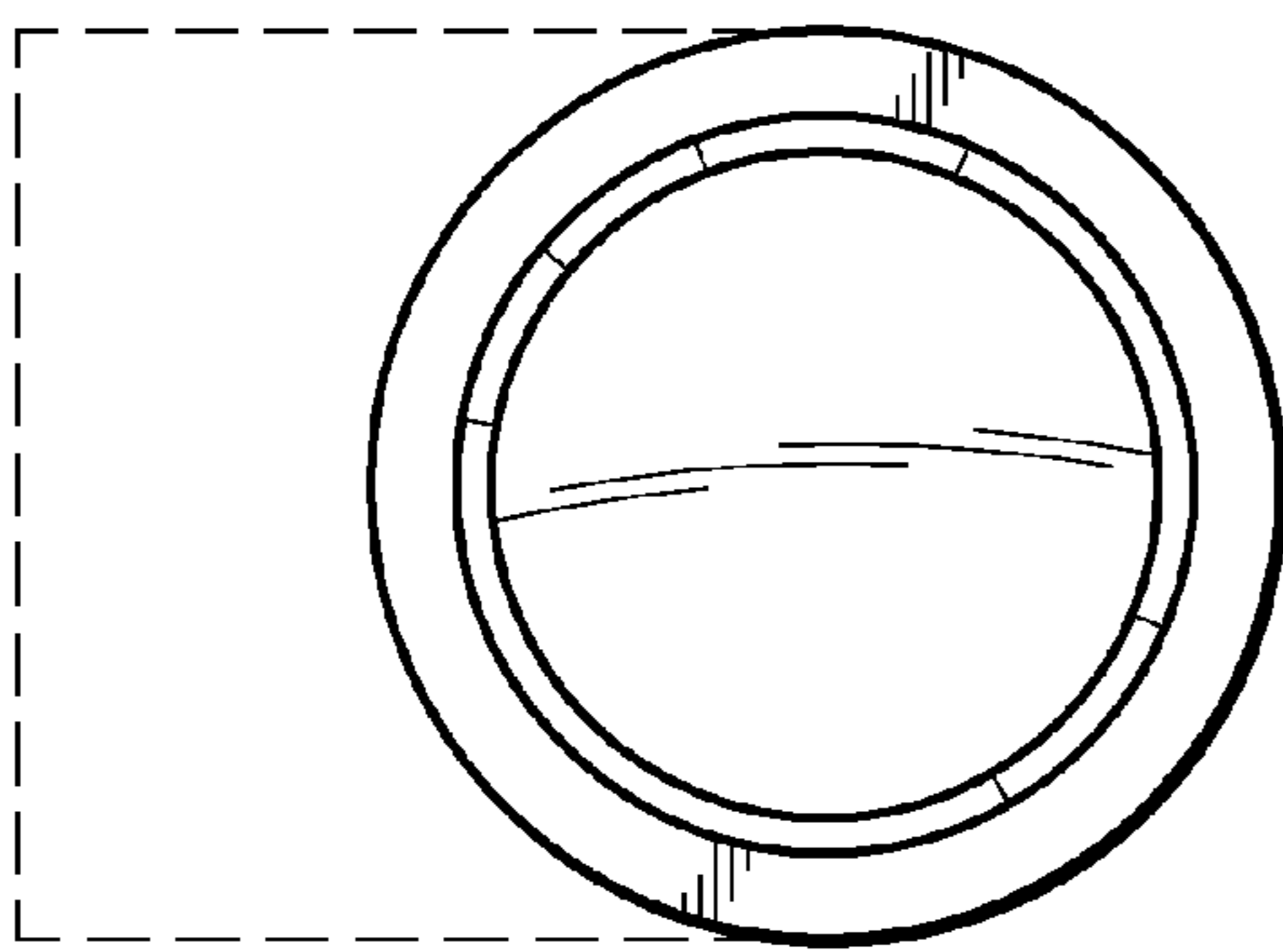


FIG. 17

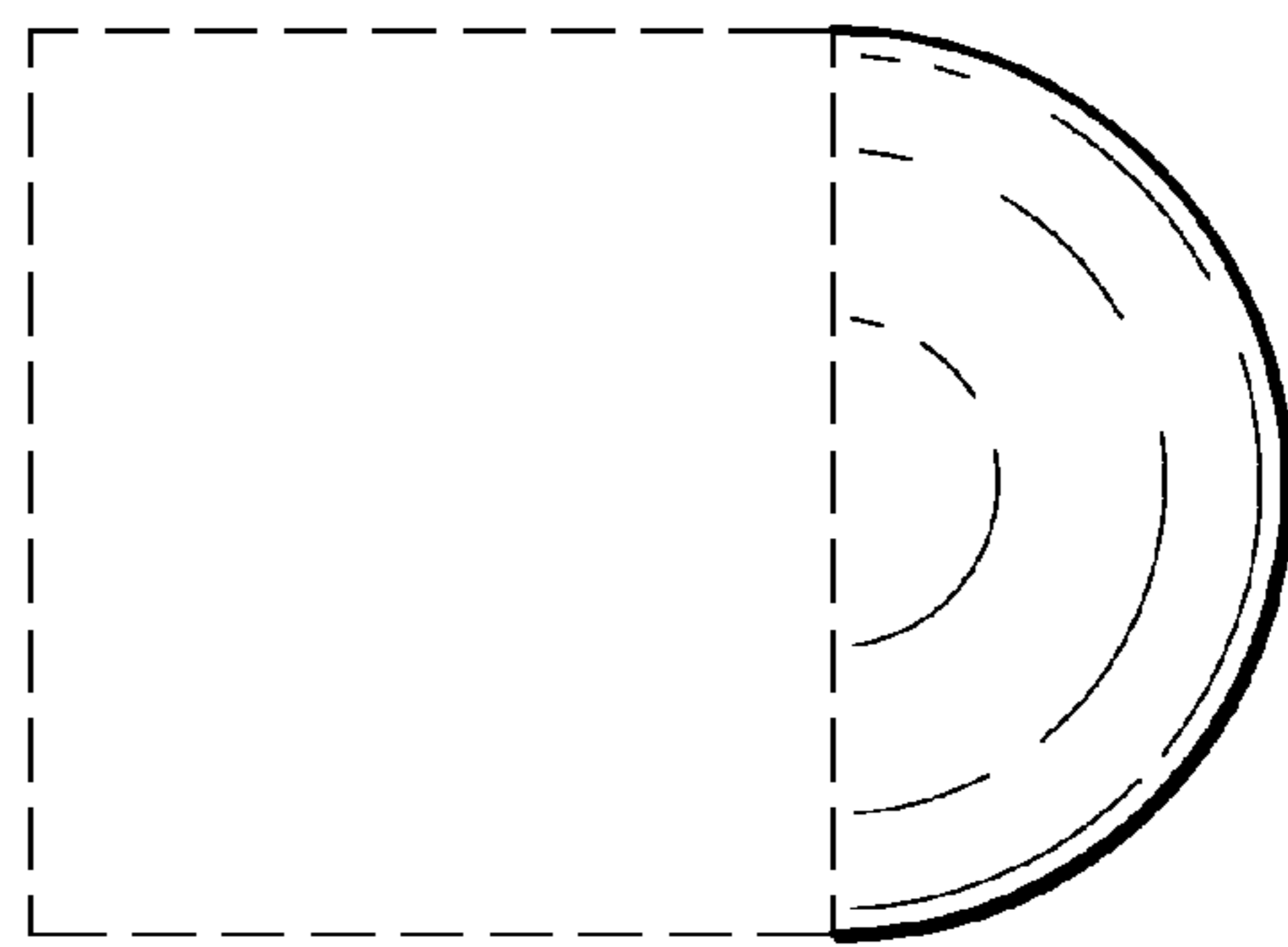


FIG. 18