



US00D745116S

(12) **United States Design Patent**
Lehmann

(10) **Patent No.:** **US D745,116 S**
(45) **Date of Patent:** **** Dec. 8, 2015**

(54) **CONNECTOR**

(71) Applicant: **Fiskars Oyj Abp**, Helsinki (FI)

(72) Inventor: **Charles A Lehmann**, Metamora, IL (US)

(73) Assignee: **Fiskars Oyj Abp**, Helsinki (FI)

(**) Term: **14 Years**

(21) Appl. No.: **29/453,320**

(22) Filed: **Apr. 26, 2013**

(51) **LOC (10) Cl.** **23-01**

(52) **U.S. Cl.**
USPC **D23/262**

(58) **Field of Classification Search**
USPC D23/233, 259–269; 285/86–93,
285/179–182
CPC F16L 2201/20; F16L 2201/60; F16L
2201/10; F16L 37/133; F16L 37/0985; F16L
27/0845; F16L 43/008; B29C 66/5229
See application file for complete search history.

(56) **References Cited**

U.S. PATENT DOCUMENTS

1,540,504	A *	6/1925	Seaman	285/294.3
2,165,163	A *	7/1939	Waters	285/91
3,895,466	A *	7/1975	Melton	29/890.14
D314,814	S *	2/1991	Lubeck	D23/262
D397,413	S *	8/1998	Sapp	D23/262
6,557,900	B1 *	5/2003	Austin	285/92
D508,980	S *	8/2005	Bigelow	D23/262
D554,237	S *	10/2007	Lewis et al.	D23/259
D639,398	S *	6/2011	Wilhelm	D23/262
D709,996	S *	7/2014	Yu	D23/262
D716,916	S *	11/2014	Snow	D23/262
2010/0022951	A1 *	1/2010	Ferrera et al.	604/103

* cited by examiner

Primary Examiner — Kevin Rudzinski

Assistant Examiner — John Reickel

(74) *Attorney, Agent, or Firm* — Foley & Lardner LLP

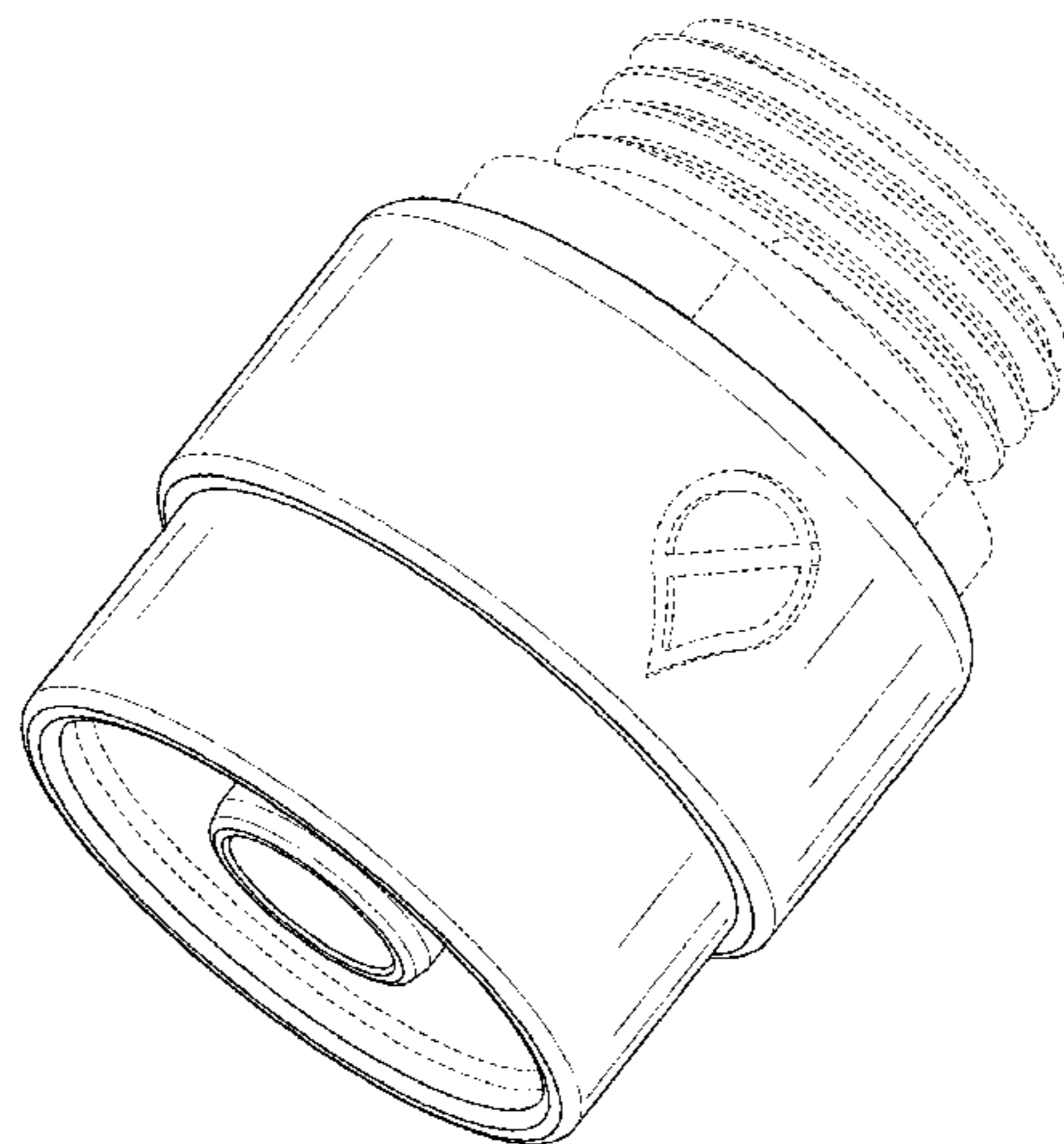
(57) **CLAIM**

The ornamental design for a connector, as shown and described.

DESCRIPTION

FIG. 1 is a perspective view of a first embodiment of a connector showing my new design;
FIG. 2 is a front elevational view showing the design for the connector of FIG. 1;
FIG. 3 is a rear elevational view showing the design for the connector of FIG. 1;
FIG. 4 is a right side elevational view showing the design for the connector of FIG. 1;
FIG. 5 is a left side elevational view showing the design for the connector of FIG. 1;
FIG. 6 is a top plan view showing the design for the connector of FIG. 1; and
FIG. 7 is a bottom plan view showing the design for the connector of FIG. 1.
FIG. 8 is a perspective view of a second embodiment of a connector showing my new design;
FIG. 9 is a front elevational view showing the design for the connector of FIG. 8;
FIG. 10 is a rear elevational view showing the design for the connector of FIG. 8;
FIG. 11 is a right side elevational view showing the design for the connector of FIG. 8;
FIG. 12 is a left side elevational view showing the design for the connector of FIG. 8;
FIG. 13 is a top plan view showing the design for the connector of FIG. 8; and,
FIG. 14 is a bottom plan view showing the design for the connector of FIG. 8.
The broken line showing of the connector is included for the purpose of illustrating portions of the article and form no part of the claimed design.

1 Claim, 14 Drawing Sheets



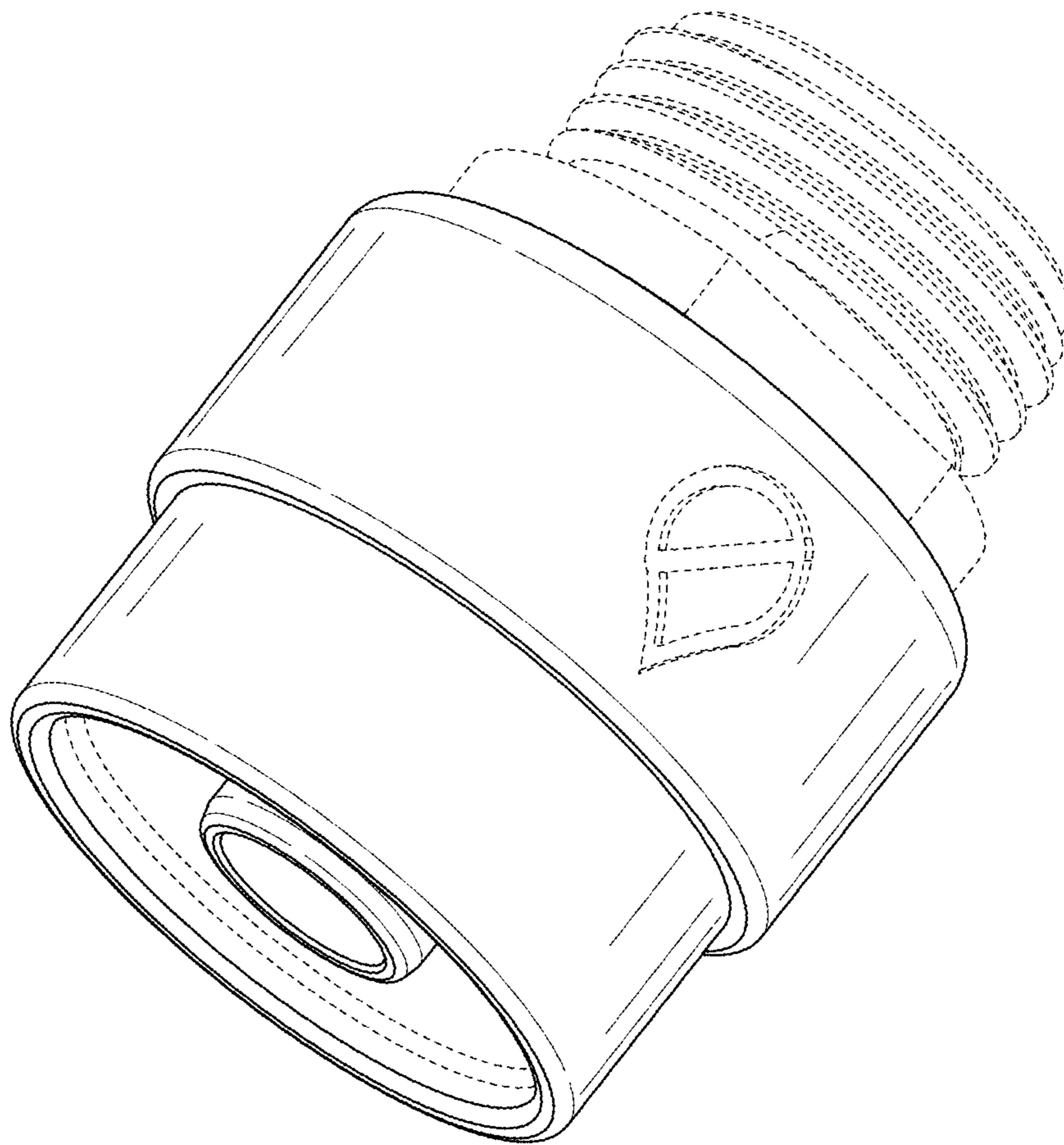


FIG. 1

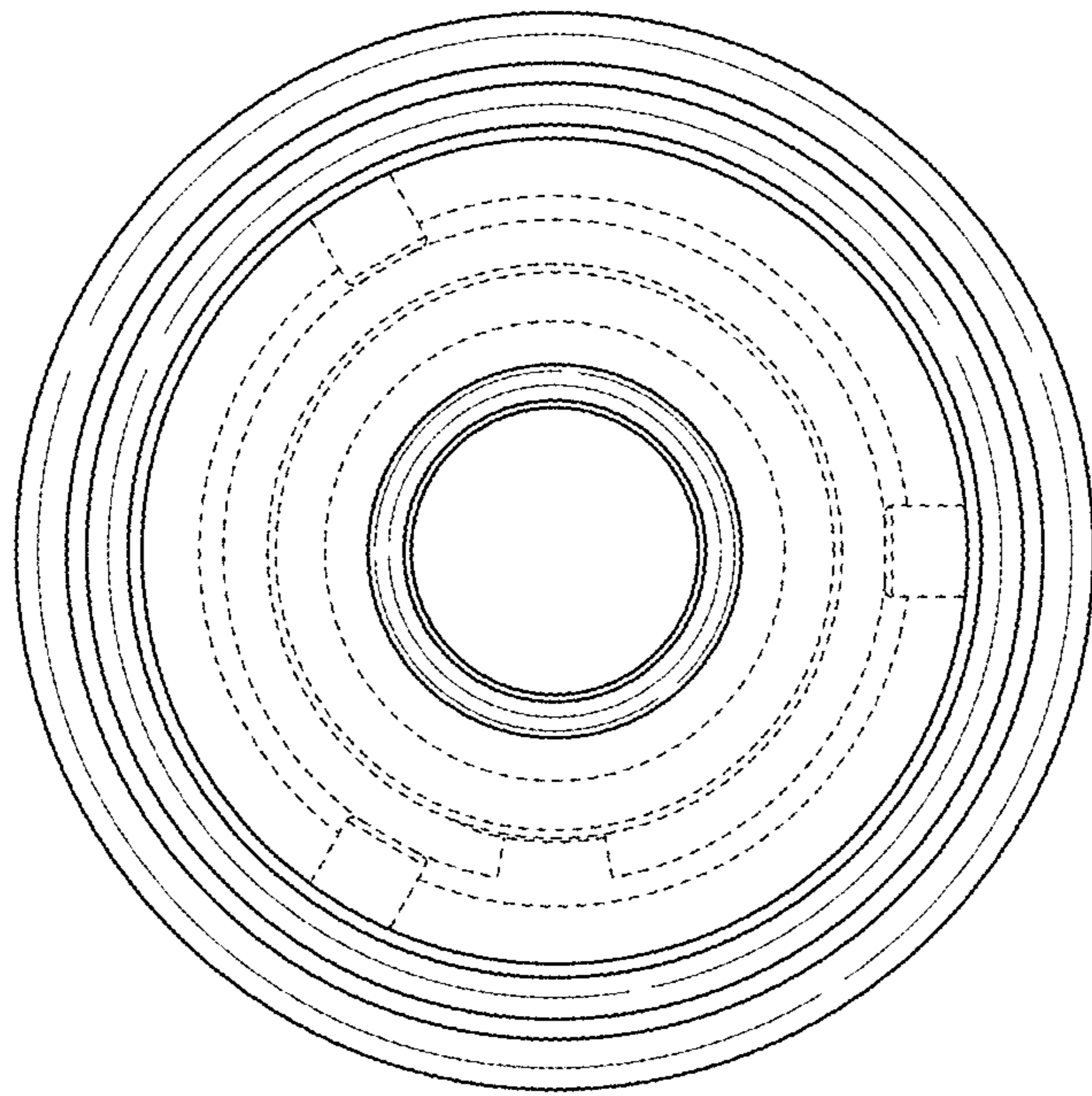


FIG. 2

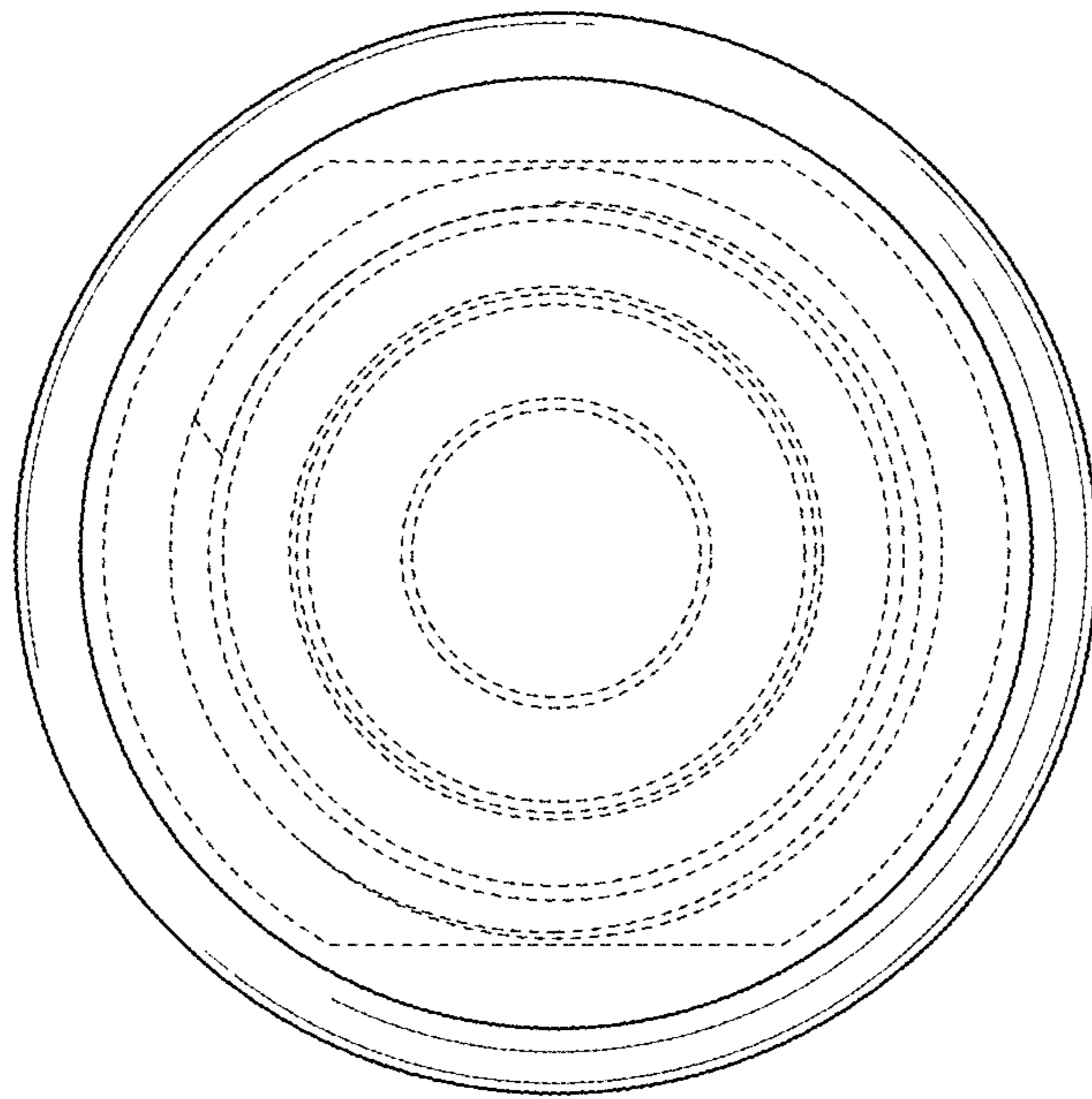


FIG. 3

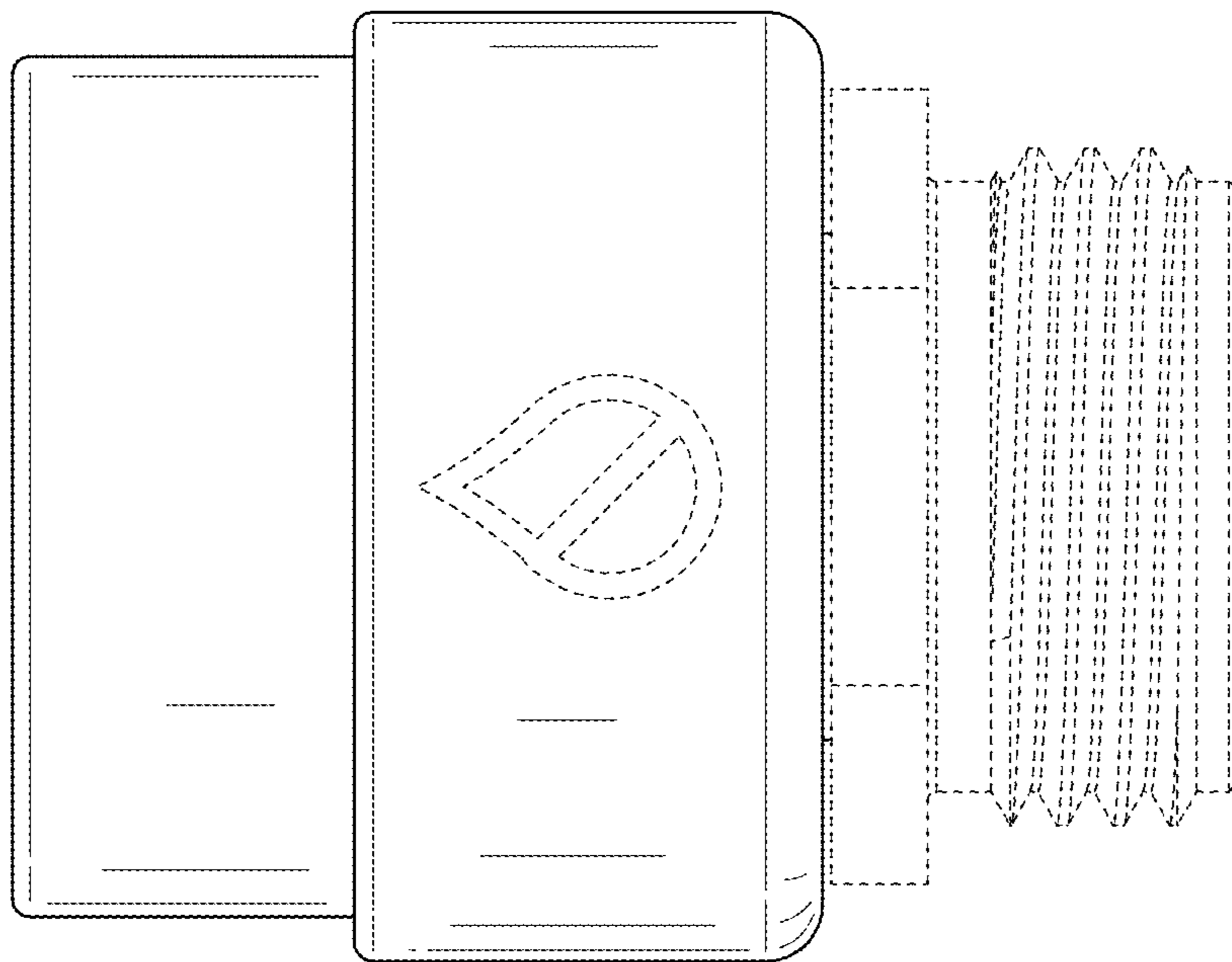


FIG. 4

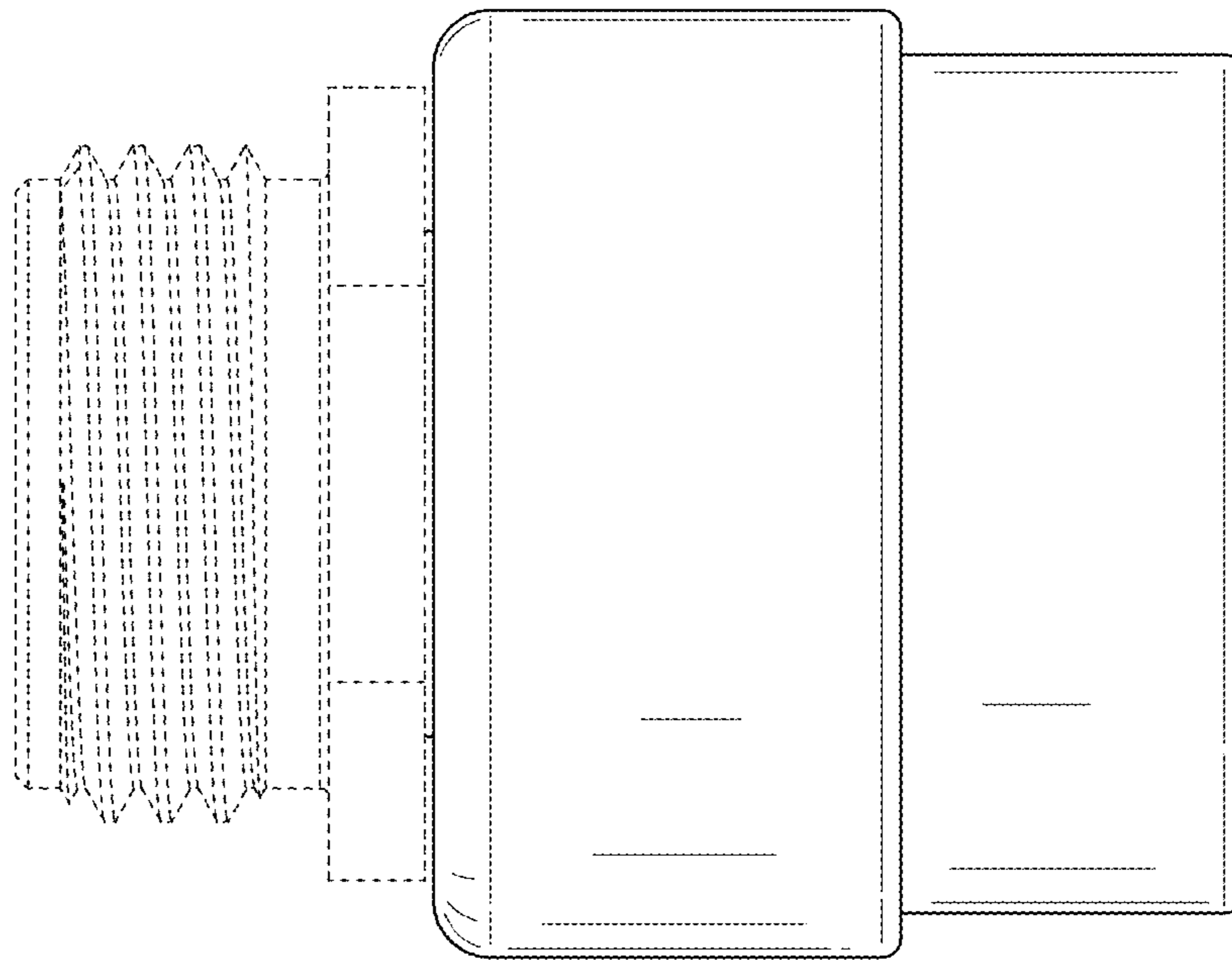


FIG. 5

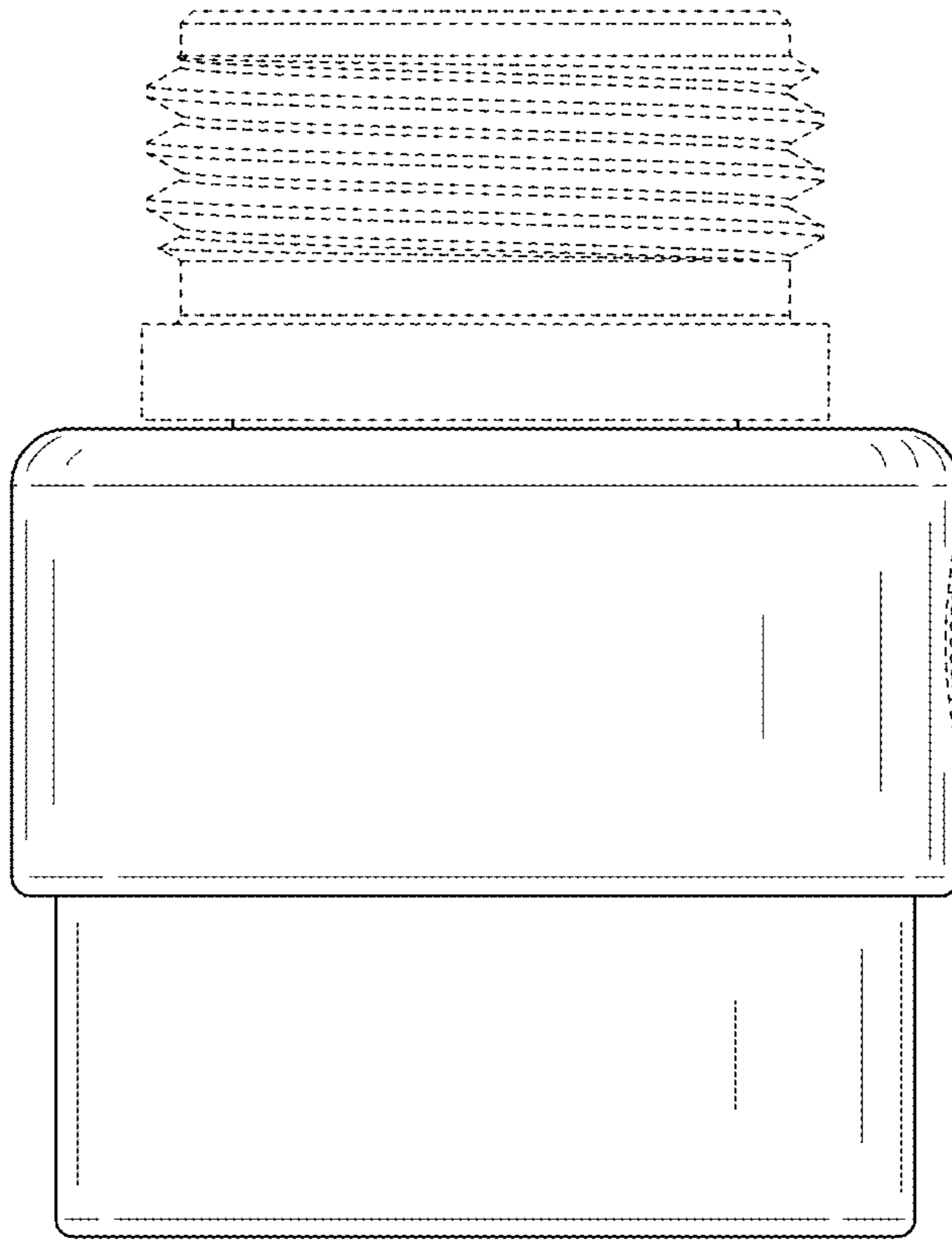


FIG. 6

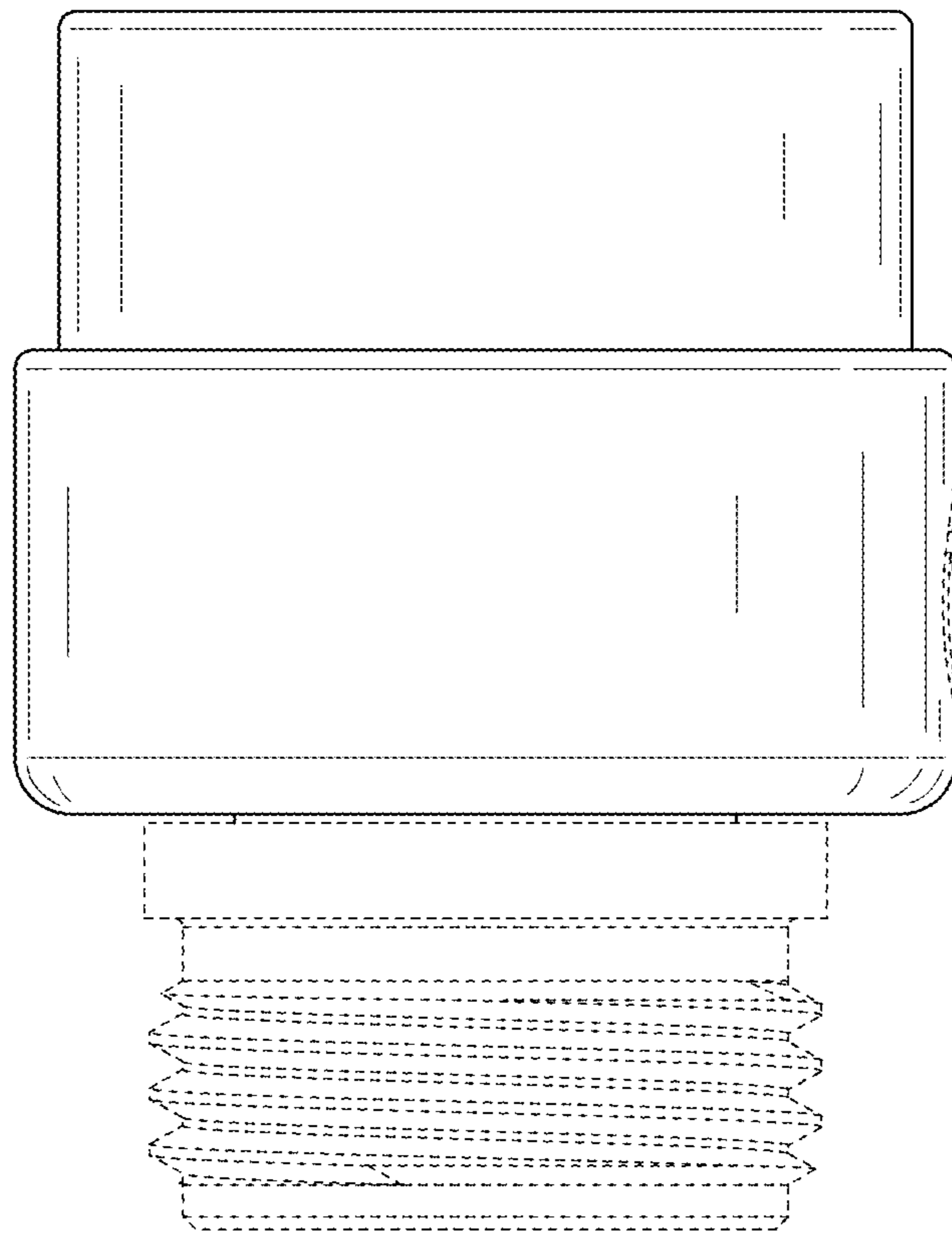


FIG. 7

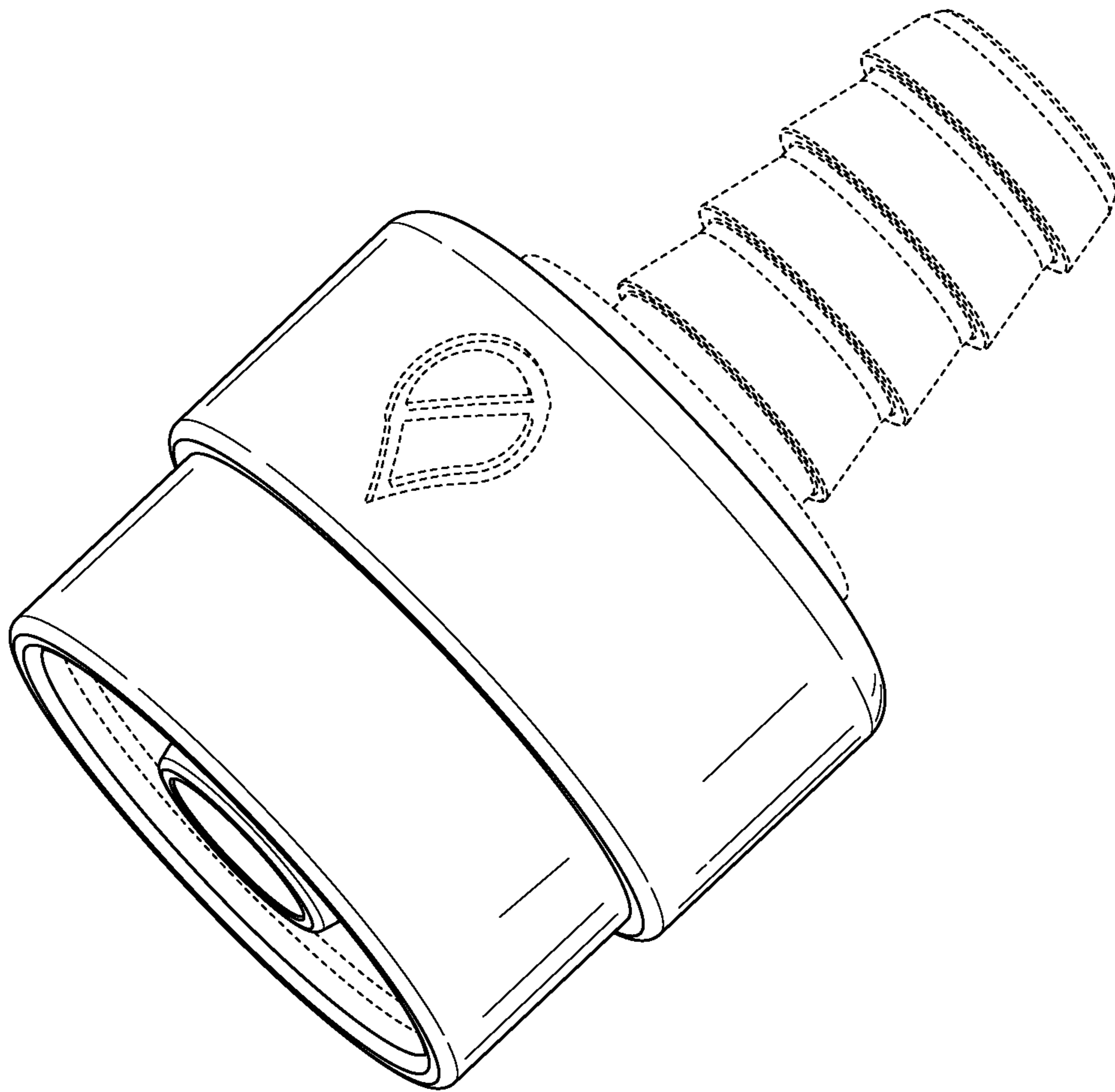


FIG. 8

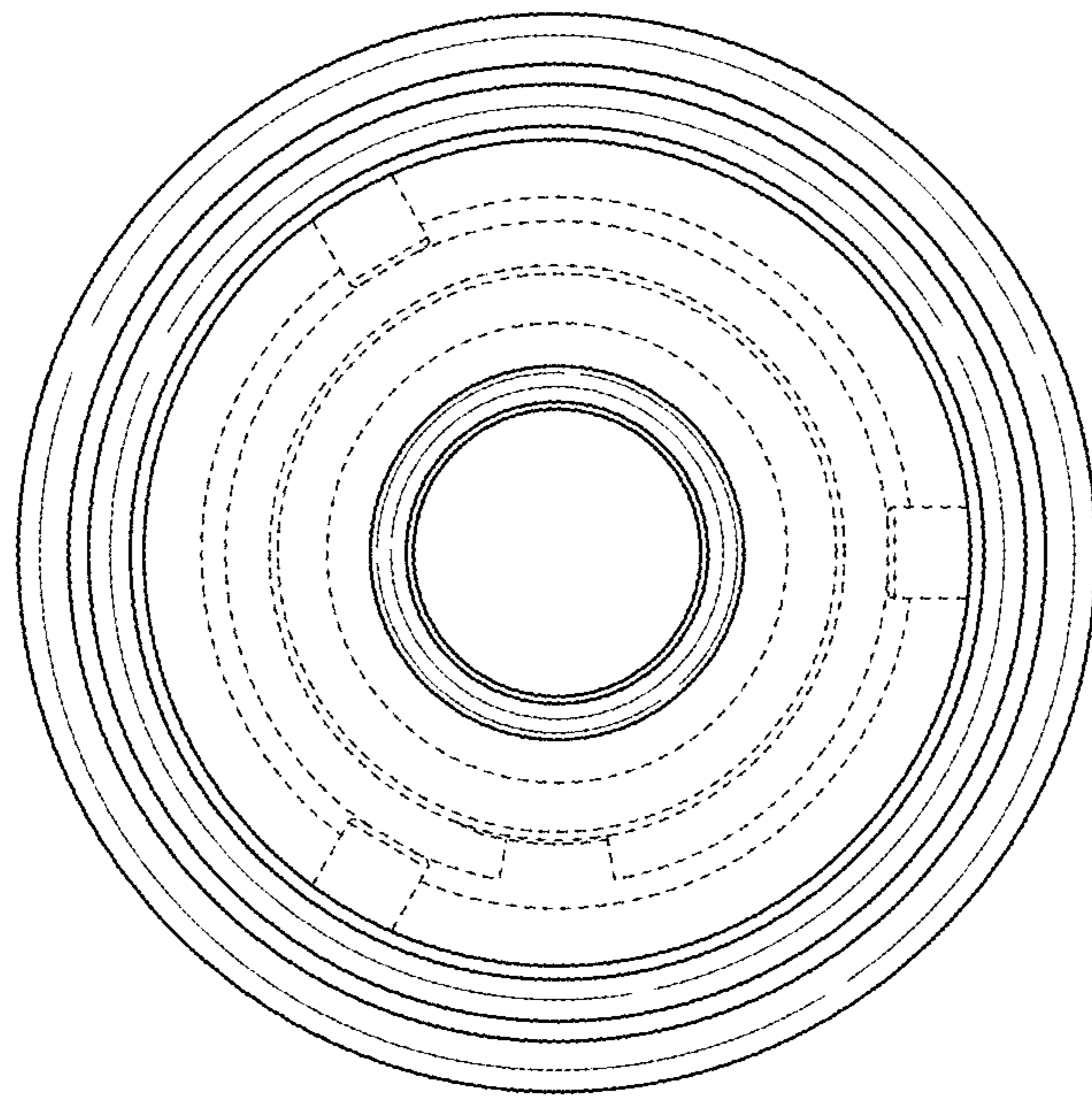


FIG. 9

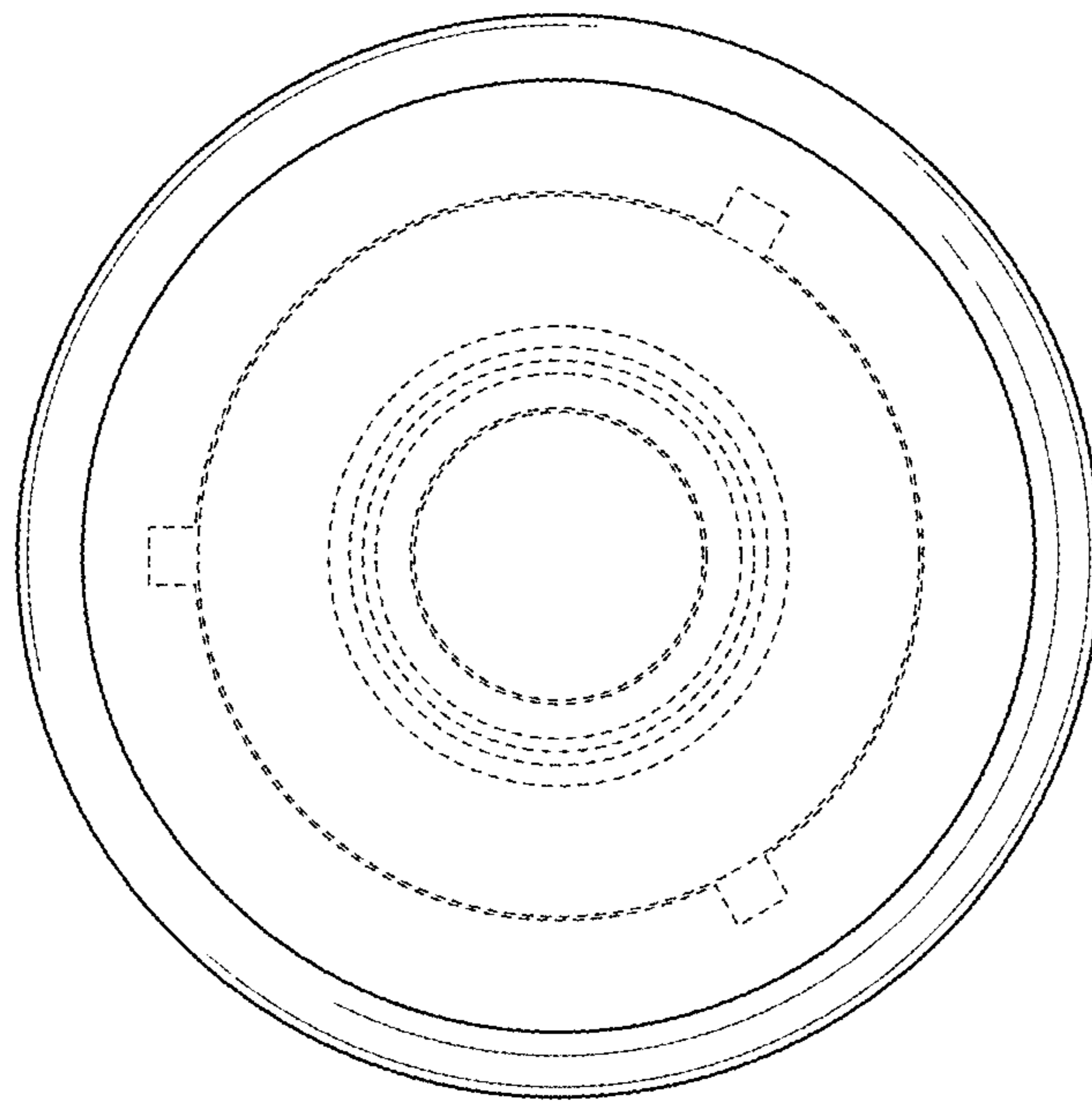


FIG. 10

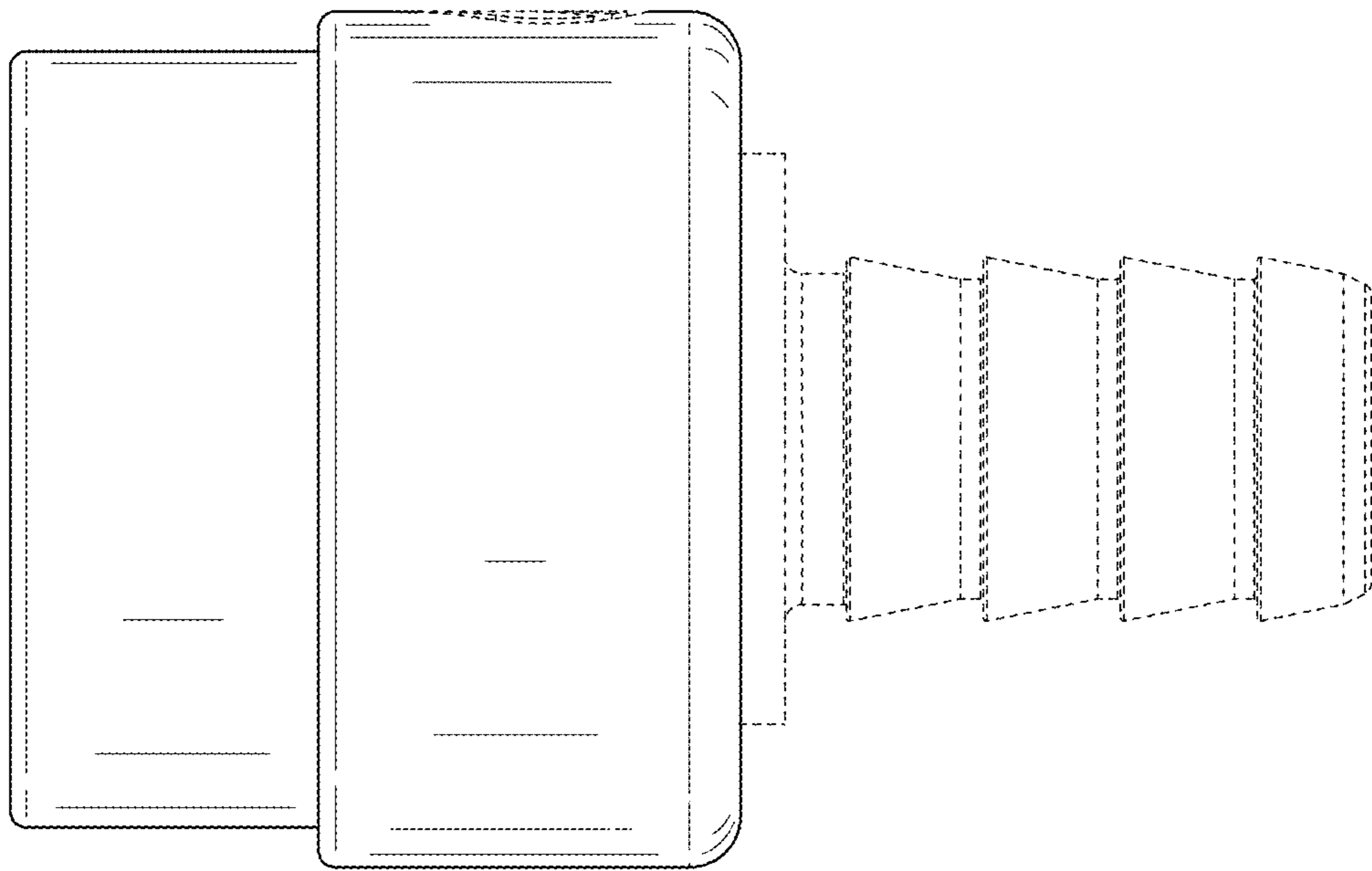


FIG. 11

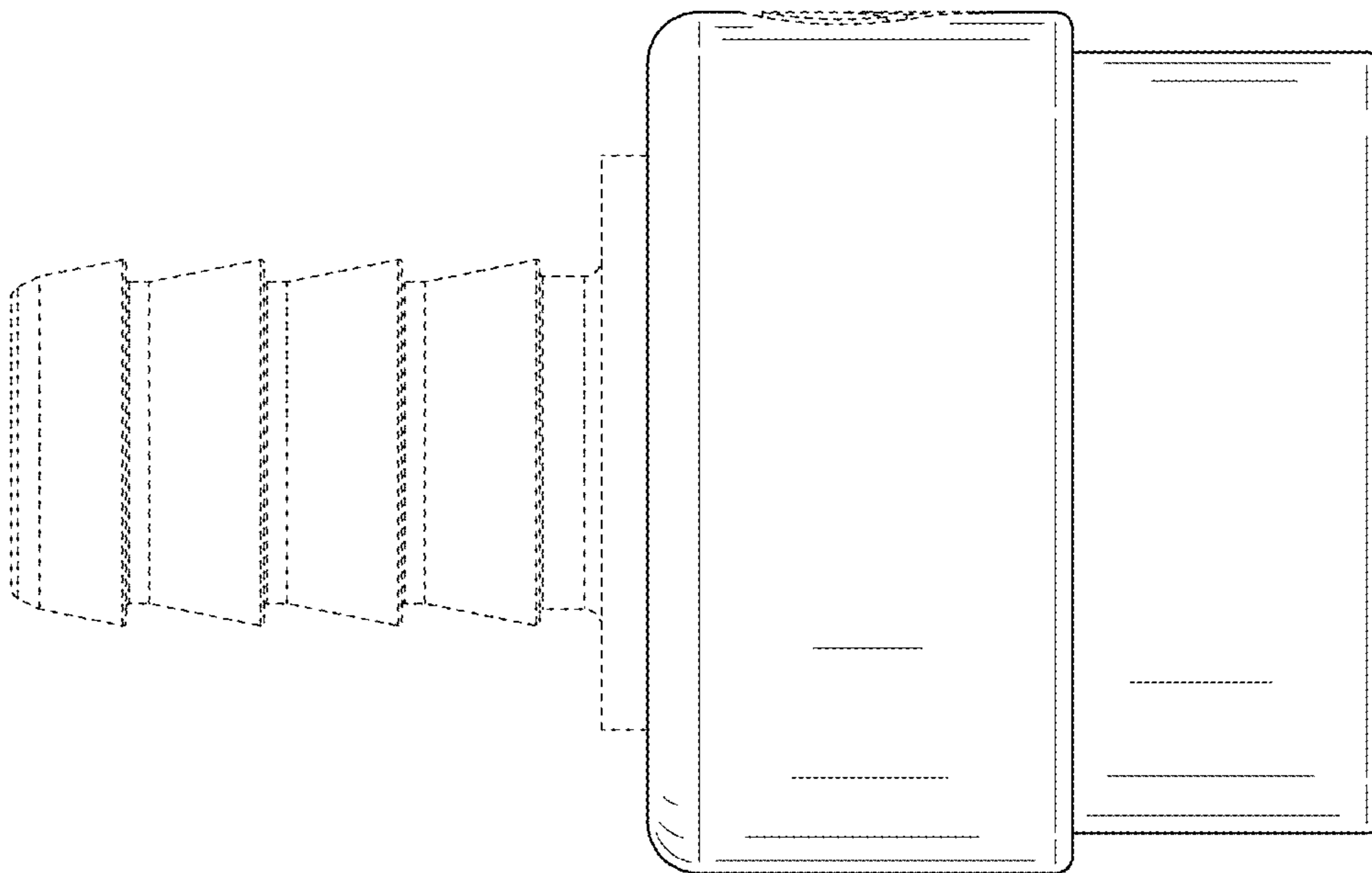


FIG. 12

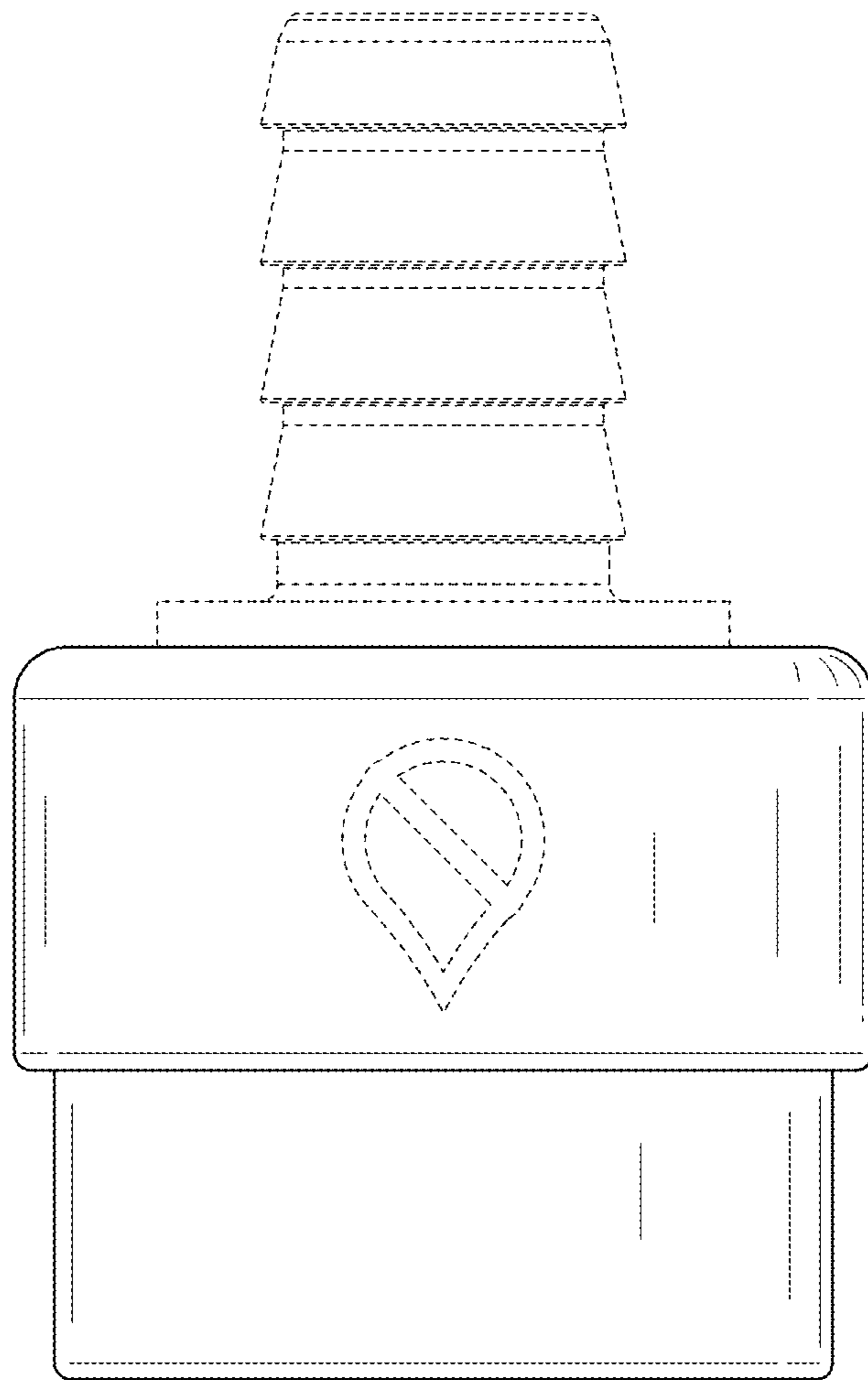


FIG. 13

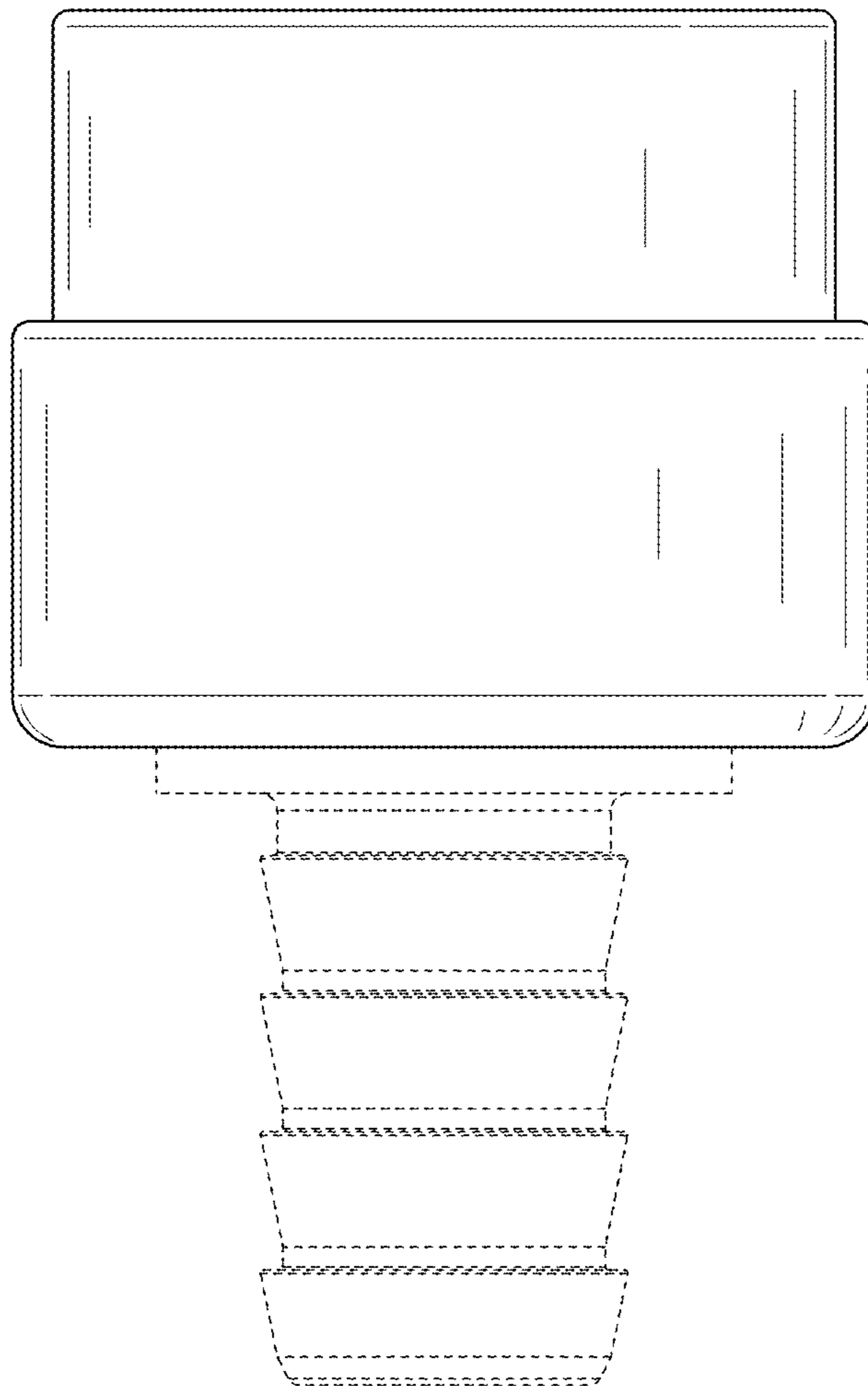


FIG. 14