



US00D745115S

(12) **United States Design Patent**
Kuang

(10) **Patent No.:** **US D745,115 S**

(45) **Date of Patent:** **** Dec. 8, 2015**

(54) **FLOOR DRAIN**

(71) Applicant: **KAIPING XINMINGGUANG
HARDWARE PRODUCTS CO., LTD.,**
Jiangmen, Guangdong (CN)

(72) Inventor: **Woguang Kuang, Jiangmen (CN)**

(73) Assignee: **KAIPING XINMINGGUANG
HARDWARE PRODUCTS CO., LTD.,**
Jiangmen (CN)

(**) Term: **14 Years**

(21) Appl. No.: **29/454,223**

(22) Filed: **May 8, 2013**

(30) **Foreign Application Priority Data**

Feb. 7, 2013 (CN) 2013 3 0039025

(51) **LOC (10) Cl.** **23-01**

(52) **U.S. Cl.**
USPC **D23/261**

(58) **Field of Classification Search**
USPC D23/205, 209, 260, 261, 263, 266, 268;
D24/129

CPC F16L 41/08; F16L 41/12; F16L 45/00;
F16L 57/00; F16L 57/06; E03F 5/04; E03F
5/06; B65D 88/26; B65D 88/54

See application file for complete search history.

(56) **References Cited**

U.S. PATENT DOCUMENTS

1,813,687 A * 7/1931 Stockholder 210/180
2,506,064 A * 5/1950 Christie 285/149.1
D163,487 S * 5/1951 Schustack et al. D23/263
D254,564 S * 3/1980 Johnson D23/263
D255,596 S * 6/1980 Johnson D23/263
D297,678 S * 9/1988 Sisk D34/28

D323,709 S * 2/1992 Wyatt et al. D24/129
D374,067 S * 9/1996 Crook D23/261
D468,002 S * 12/2002 Steffan D23/260
D540,464 S * 4/2007 Guney et al. D24/110.6
D559,958 S * 1/2008 Trangsrud D23/268
D644,305 S * 8/2011 White D23/266
D654,999 S * 2/2012 Barrett et al. D24/129
D673,657 S * 1/2013 Sisk D23/262
D681,230 S * 4/2013 Mosler et al. D24/231
D715,145 S * 10/2014 Yamagishi et al. D9/447
D717,405 S * 11/2014 Coronado D23/259
D720,838 S * 1/2015 Yamagishi et al. D23/261
2005/0166315 A1 * 8/2005 Warnecke et al. 4/695
2005/0236057 A1 * 10/2005 Slentz 138/89
2010/0176041 A1 * 7/2010 Schlueter 210/163
2012/0192963 A1 * 8/2012 Minich et al. 137/317
2012/0193909 A1 * 8/2012 Minich et al. 285/197
2012/0241028 A1 * 9/2012 Kirk 137/527

* cited by examiner

Primary Examiner — Eric Goodman

Assistant Examiner — Daniel J Domino

(74) *Attorney, Agent, or Firm* — The Dobrusin Law Firm,
P.C.

(57) **CLAIM**

The ornamental design for floor drain, as shown and
described.

DESCRIPTION

FIG. 1 is a side perspective of a floor drain showing the new
design;

FIG. 2 is another perspective view thereof;

FIG. 3 is a front view thereof;

FIG. 4 is a rear view thereof;

FIG. 5 is a left view thereof;

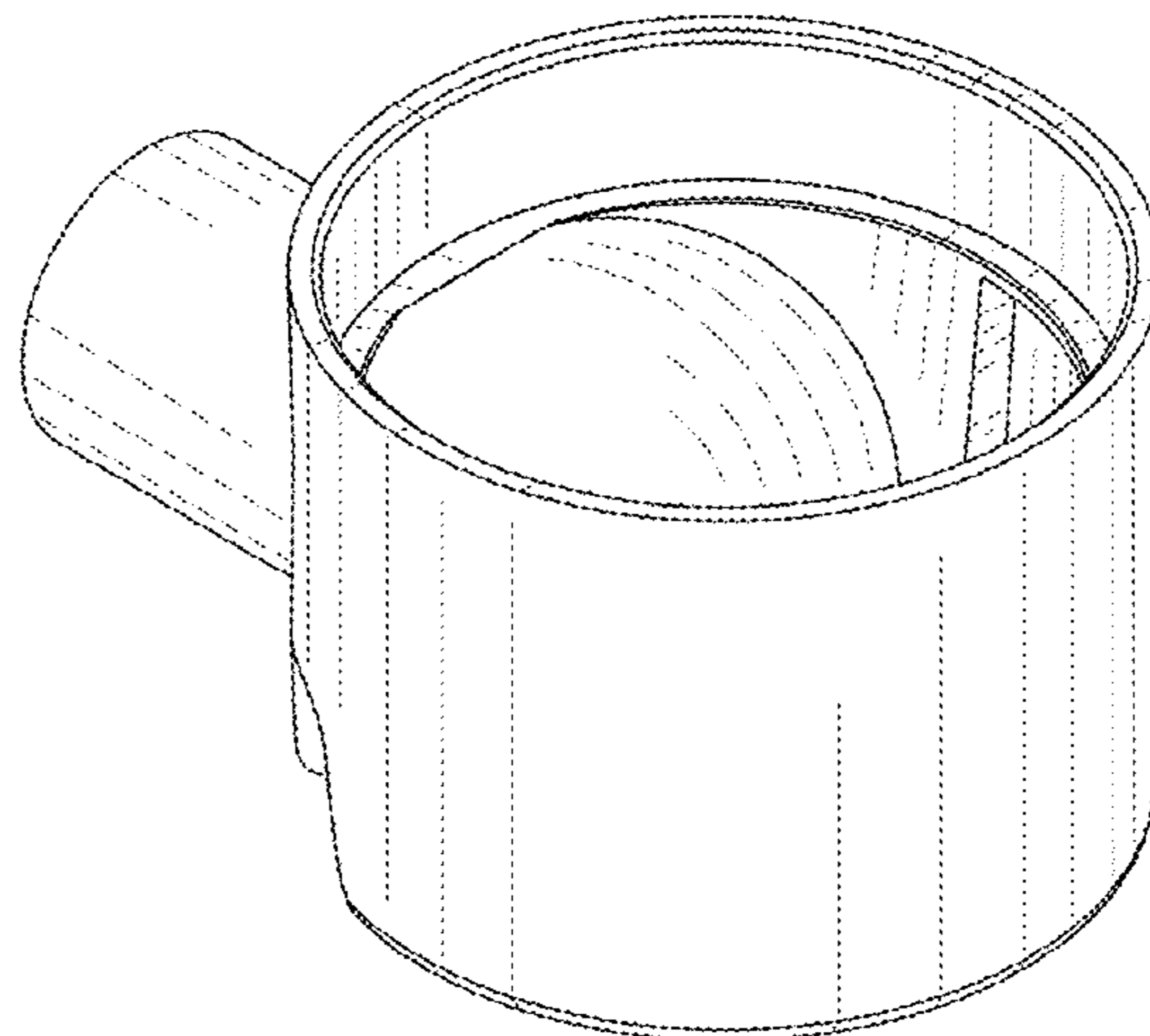
FIG. 6 is a right view thereof;

FIG. 7 is a top view thereof;

FIG. 8 is a bottom view thereof; and,

FIG. 9 is a section view taken along the line 9-9 of FIG. 7.

1 Claim, 9 Drawing Sheets



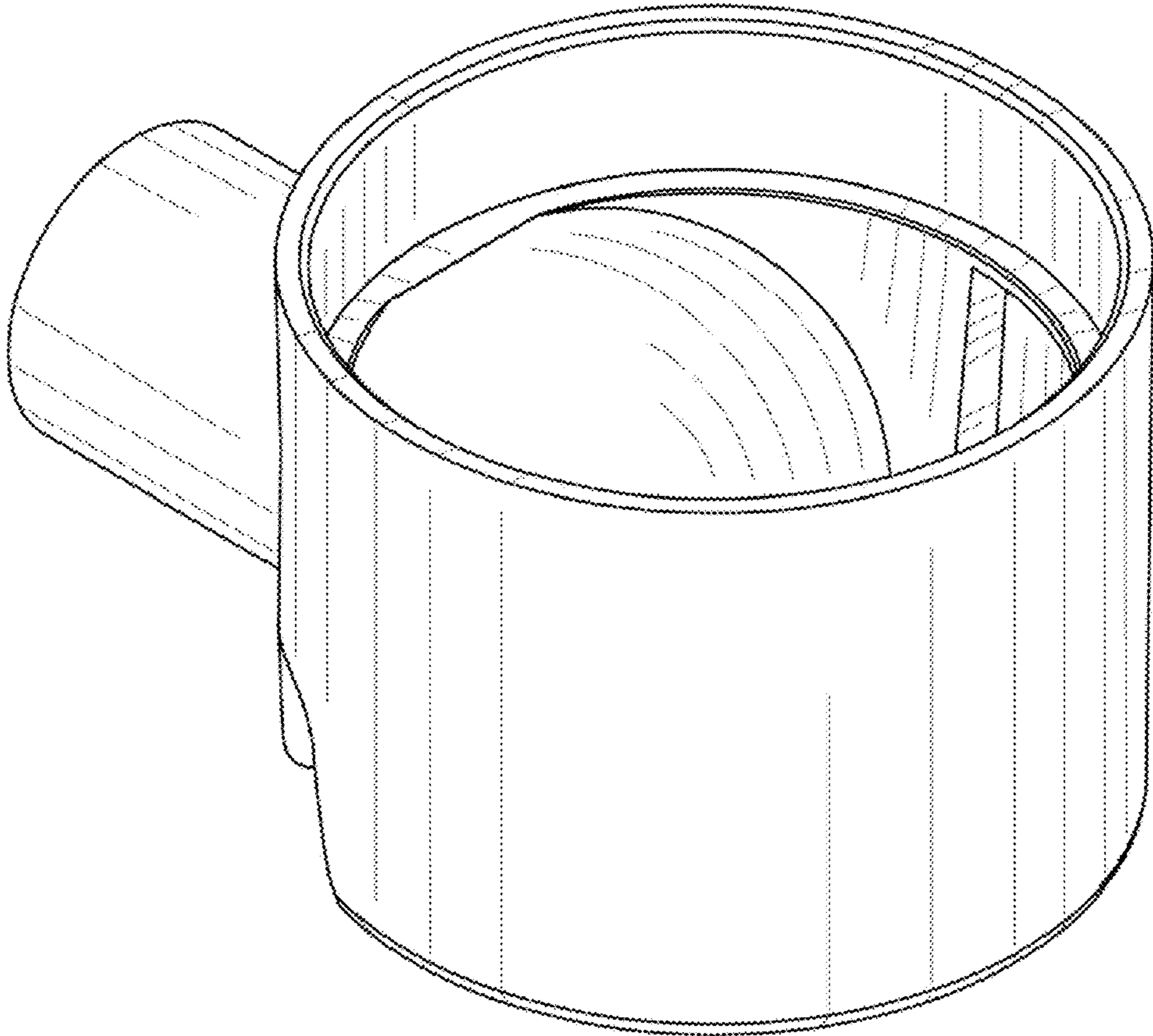


Fig. 1

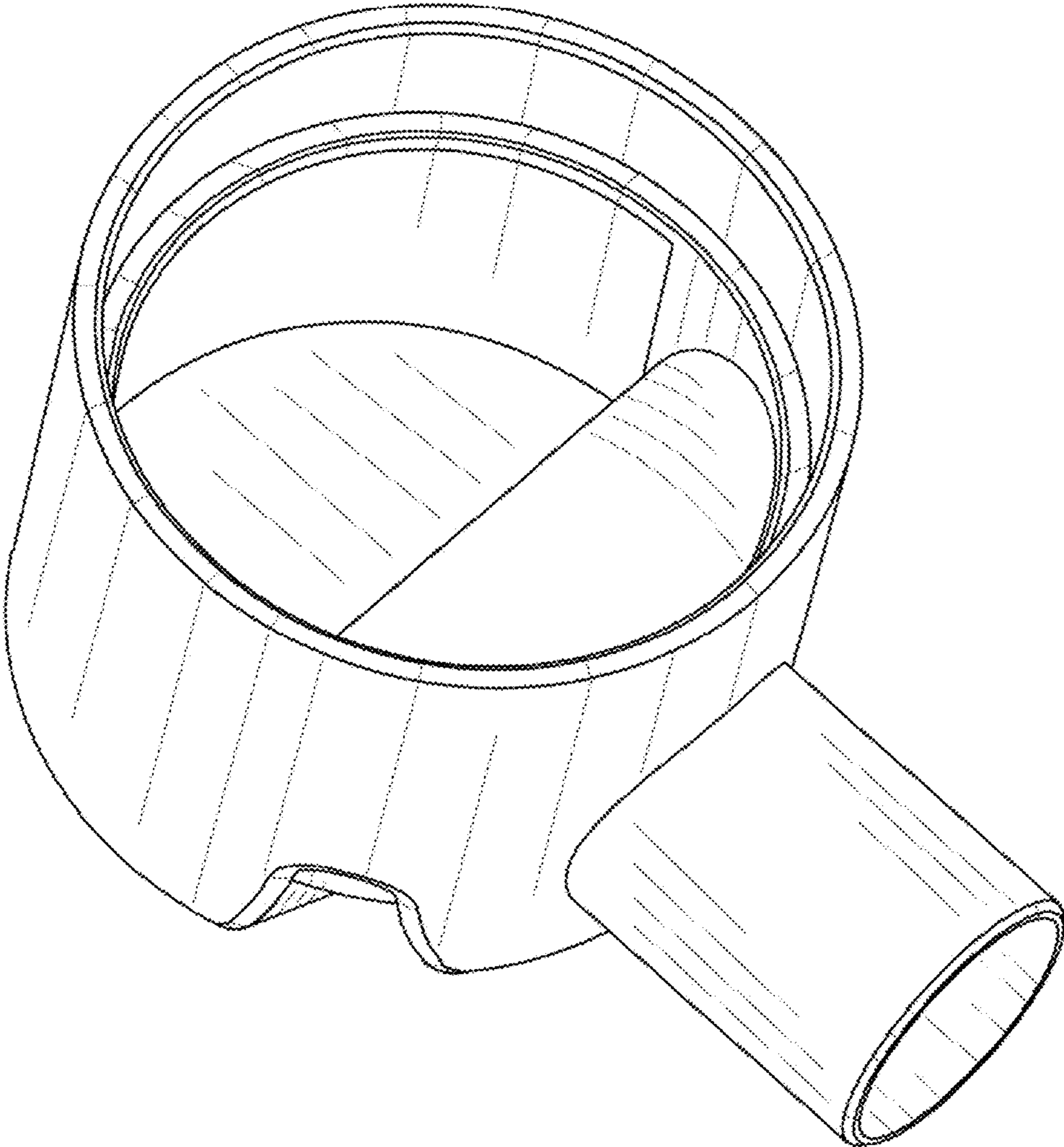


Fig. 2

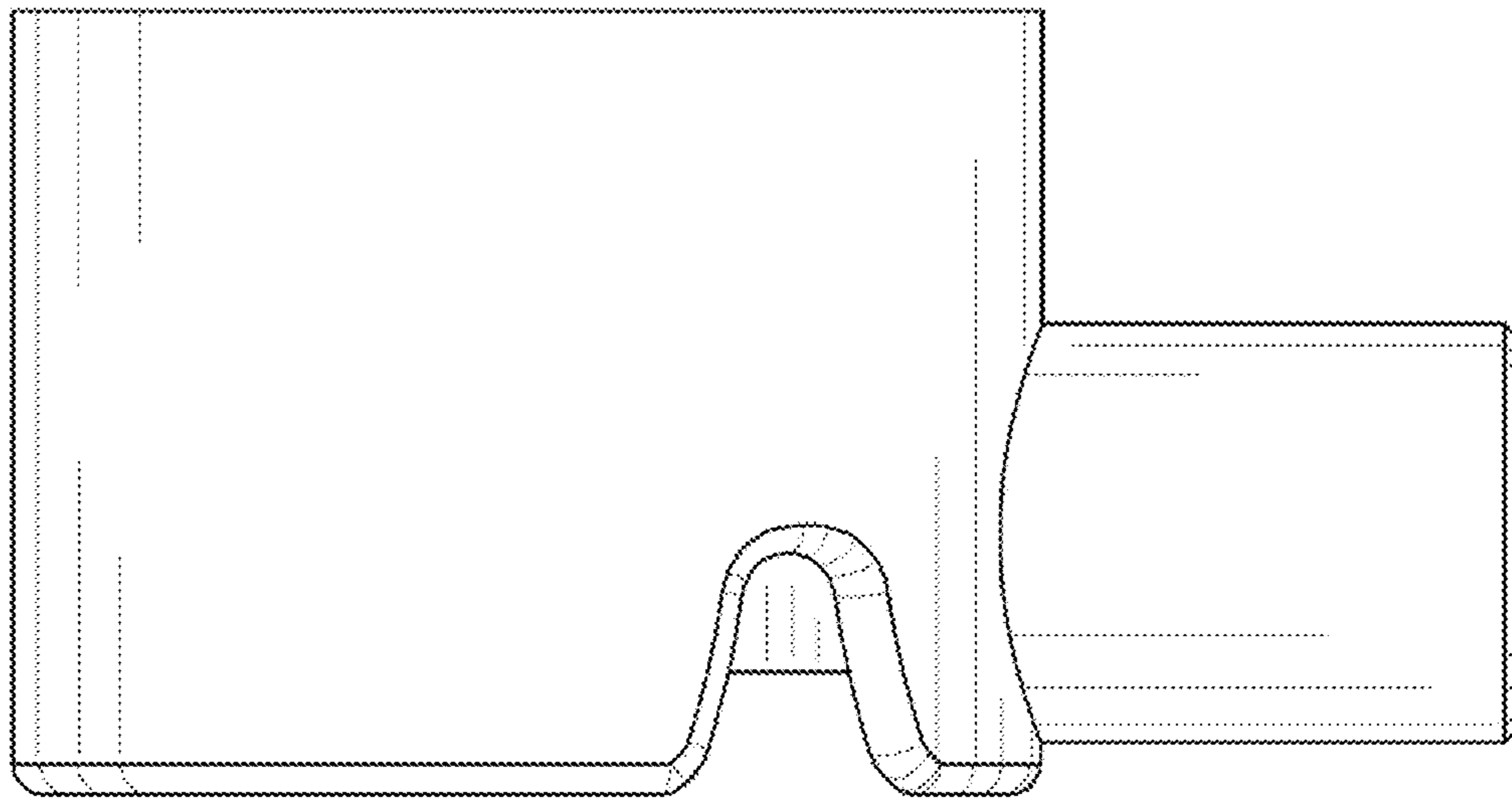


Fig.3

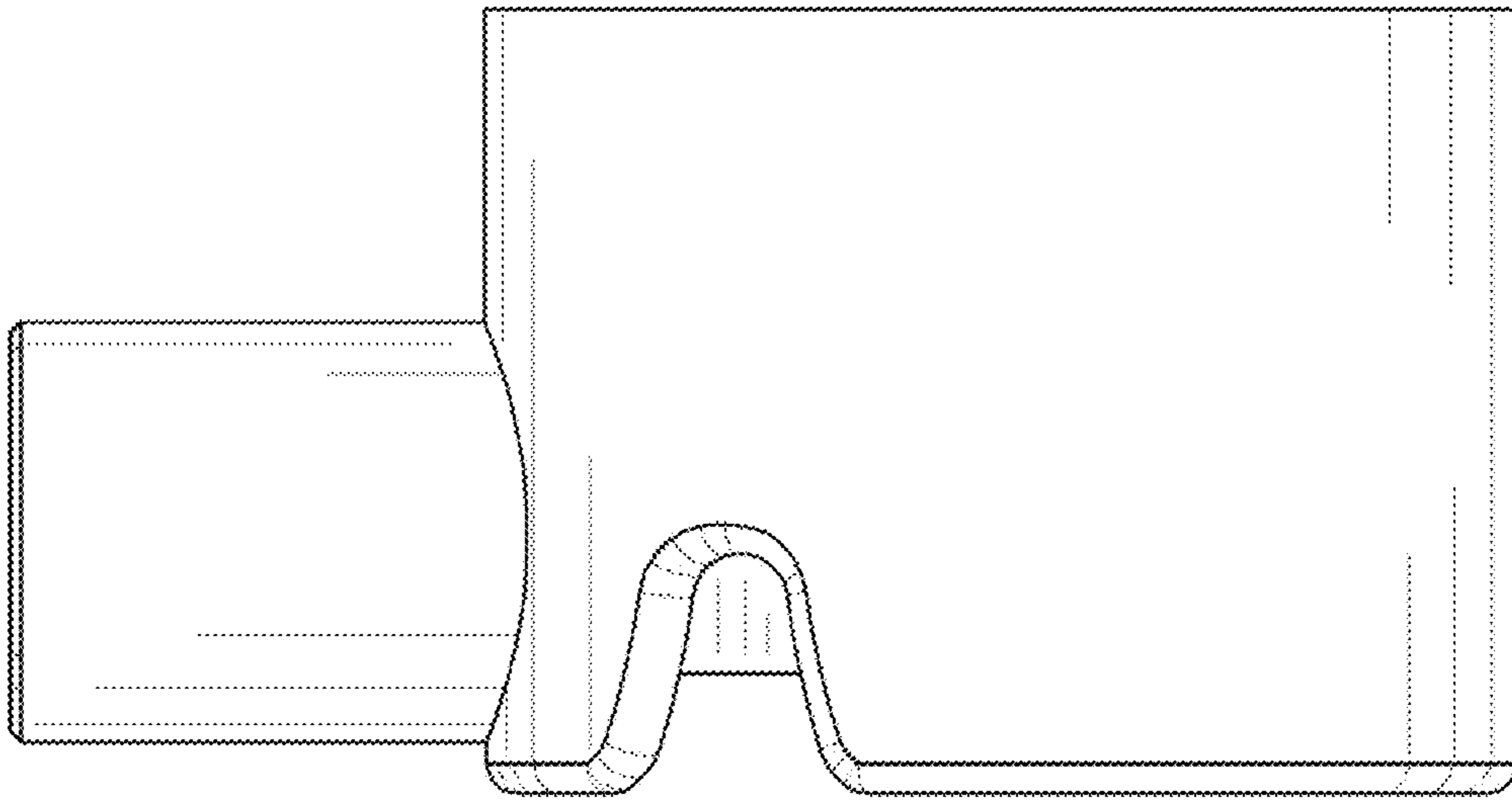


Fig.4

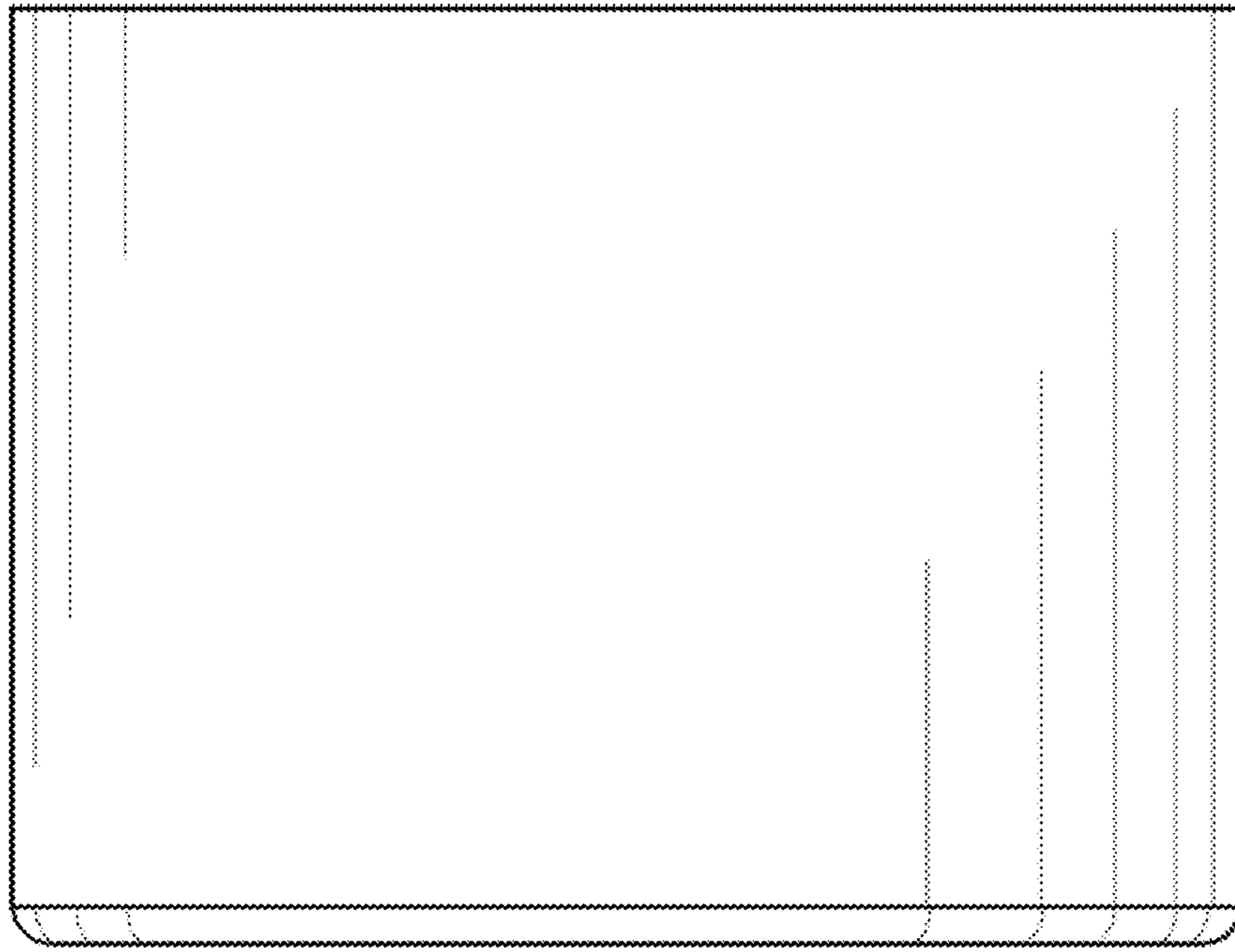


Fig.5

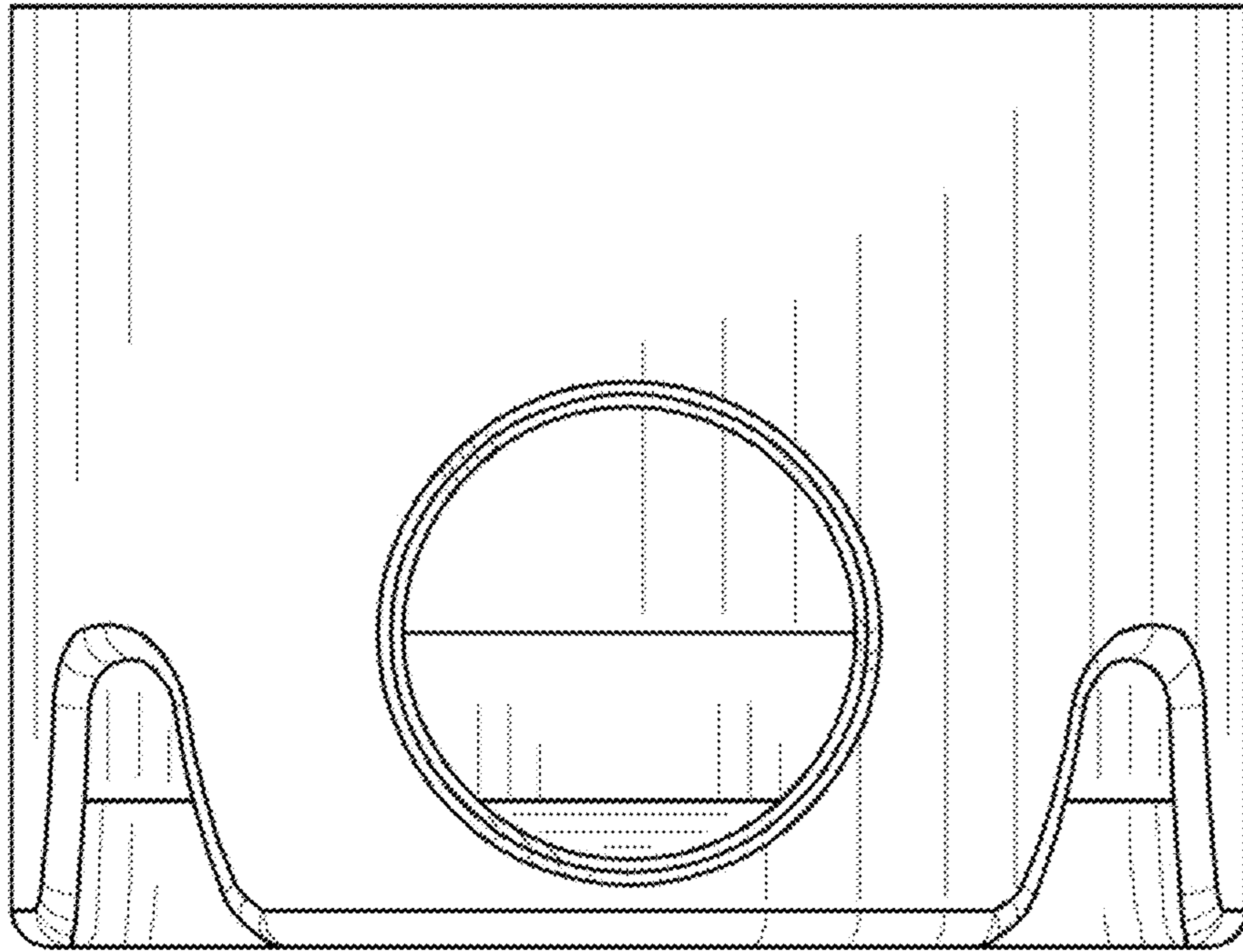


Fig.6

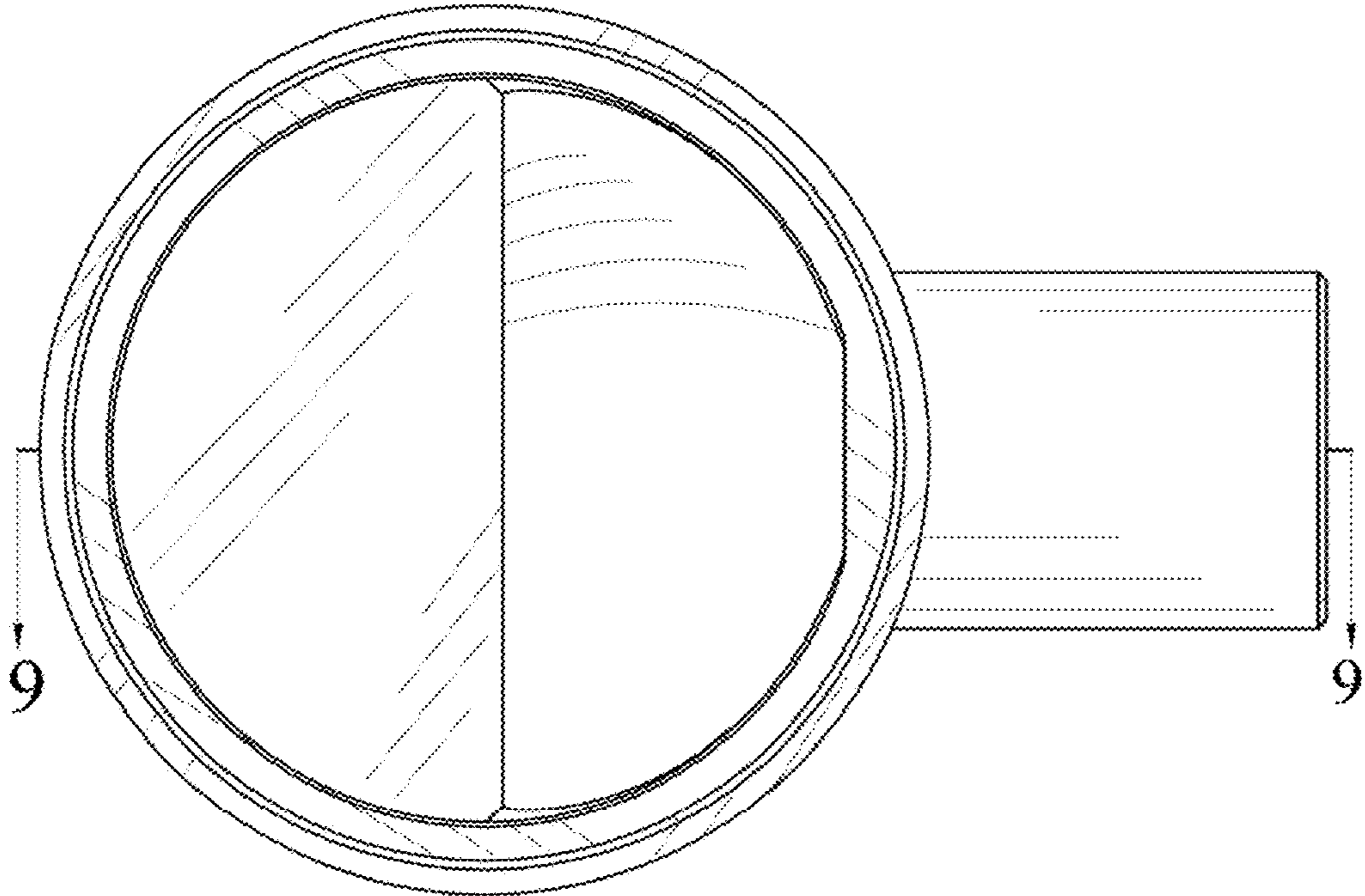


Fig.7

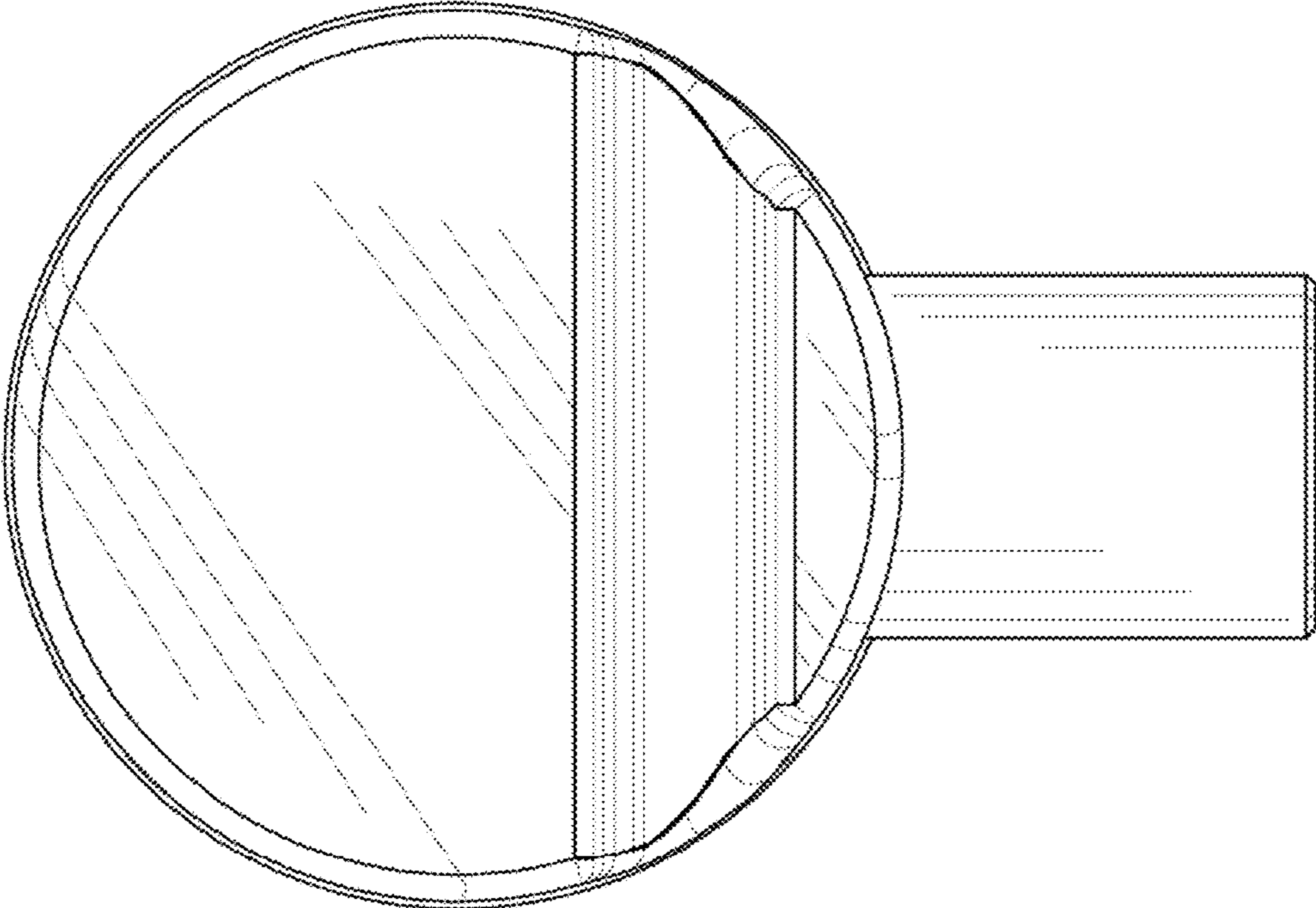


Fig.8

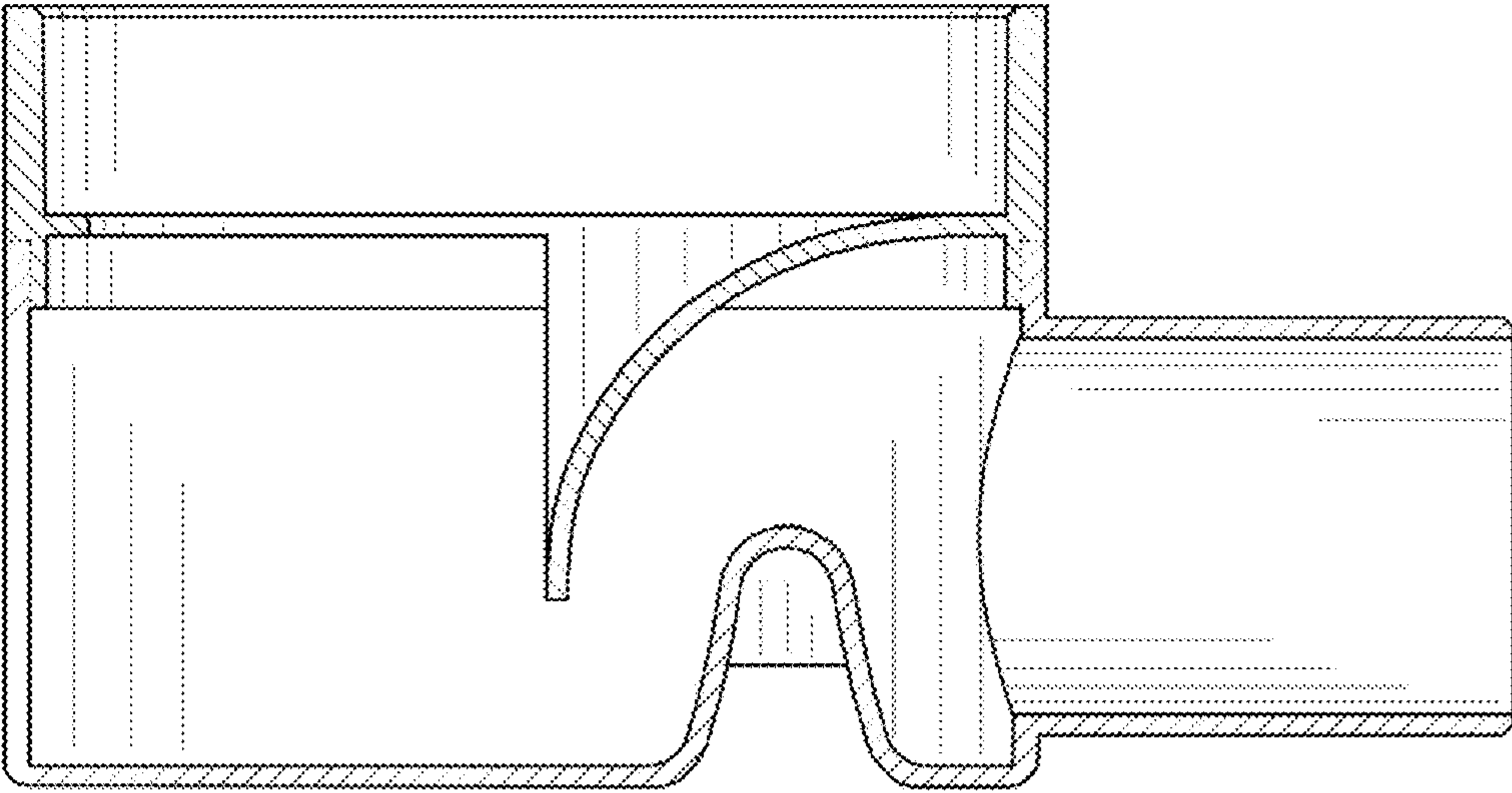


Fig.9