



US00D745114S

(12) **United States Design Patent**
Alexander et al.

(10) **Patent No.:** **US D745,114 S**

(45) **Date of Patent:** **** Dec. 8, 2015**

(54) **ADJUSTABLE PRESSURE REGULATOR**

D708,706 S * 7/2014 Pridham et al. D23/233
D716,911 S * 11/2014 Fara Chaul Huerta D23/233
D720,430 S * 12/2014 Yoshida et al. D23/233

(71) Applicant: **FNA IP HOLDINGS, INC.**, Elk Grove Village, IL (US)

* cited by examiner

(72) Inventors: **Gus Alexander**, Inverness, IL (US);
James E. Welch, Jr., Bentonville, AR (US);
Gene Vuong Nguyen, Bentonville, AR (US)

Primary Examiner — Cynthia Ramirez

(74) *Attorney, Agent, or Firm* — Steven Eric Jedlinski;
Holland & Knight LLP

(73) Assignee: **FNA IP Holdings, Inc.**, Pleasant Prairie, WI (US)

(57) **CLAIM**

The ornamental design for an adjustable pressure regulator, as shown and described.

(**) Term: **14 Years**

DESCRIPTION

(21) Appl. No.: **29/480,016**

(22) Filed: **Jan. 22, 2014**

(51) **LOC (10) Cl.** **23-01**

(52) **U.S. Cl.**
USPC **D23/235**

(58) **Field of Classification Search**
USPC D23/233–237, 244–249; D15/5, 7;
137/15.04, 15.08, 515, 7, 859, 843,
137/332, 529, 533.17, 540, 54, 543.17,
137/512.1; 251/333

CPC F16K 15/00; F16K 15/18; F16K 15/026;
F16K 15/044; B60T 17/04

See application file for complete search history.

FIG. 1 is a perspective view of one embodiment of an adjustable pressure regulator;
FIG. 2 is a front elevation view of the regulator of FIG. 1;
FIG. 3 is a rear elevation view of the regulator of FIG. 1;
FIG. 4 is a left side elevation view of the regulator of FIG. 1;
FIG. 5 is a right side elevation view of the regulator of FIG. 1;
FIG. 6 is a top plan view of the regulator of FIG. 1;
FIG. 7 is a bottom plan view of the regulator of FIG. 1;
FIG. 8 is a perspective view of the adjustable pressure regulator shown in use;
FIG. 9 is a front elevation view thereof;
FIG. 10 is a front view thereof;
FIG. 11 is a left side view thereof;
FIG. 12 is a right side view thereof;
FIG. 13 is a top plan view thereof; and,
FIG. 14 is a bottom plan view thereof.

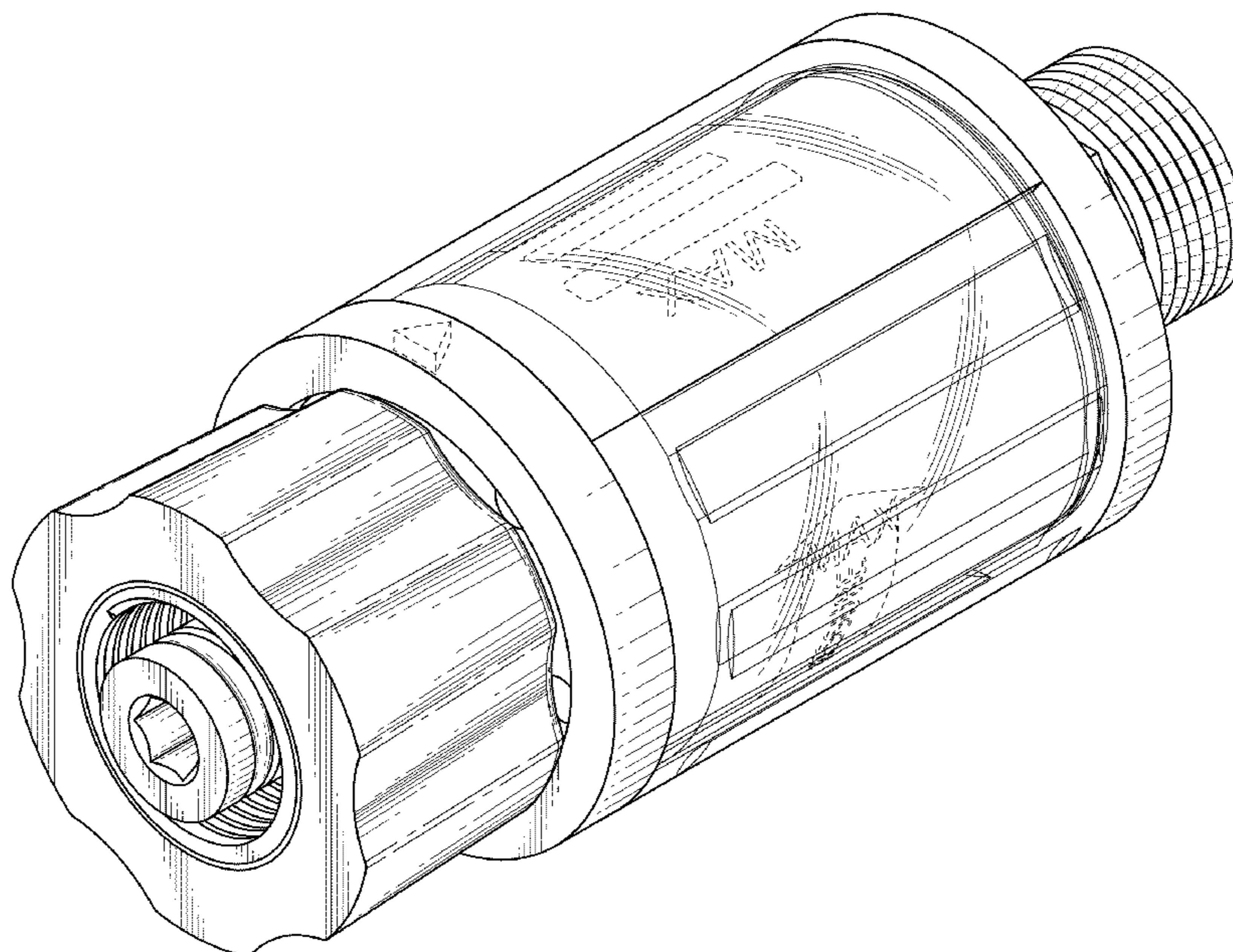
The broken lines included in FIG. 5 are included for the purpose of illustrating portions of the adjustable pressure regulator that form no part of the claimed design. The broken line shown in FIGS. 8 through 14 are included to show environment and form no part of the claimed design.

(56) **References Cited**

U.S. PATENT DOCUMENTS

D260,280 S * 8/1981 Campbell D23/237
D594,530 S * 6/2009 Bonnell D23/233
D633,985 S * 3/2011 Spadotto D23/233
D638,915 S * 5/2011 Cardno et al. D23/233
D647,596 S * 10/2011 Bonnell D23/233

1 Claim, 8 Drawing Sheets



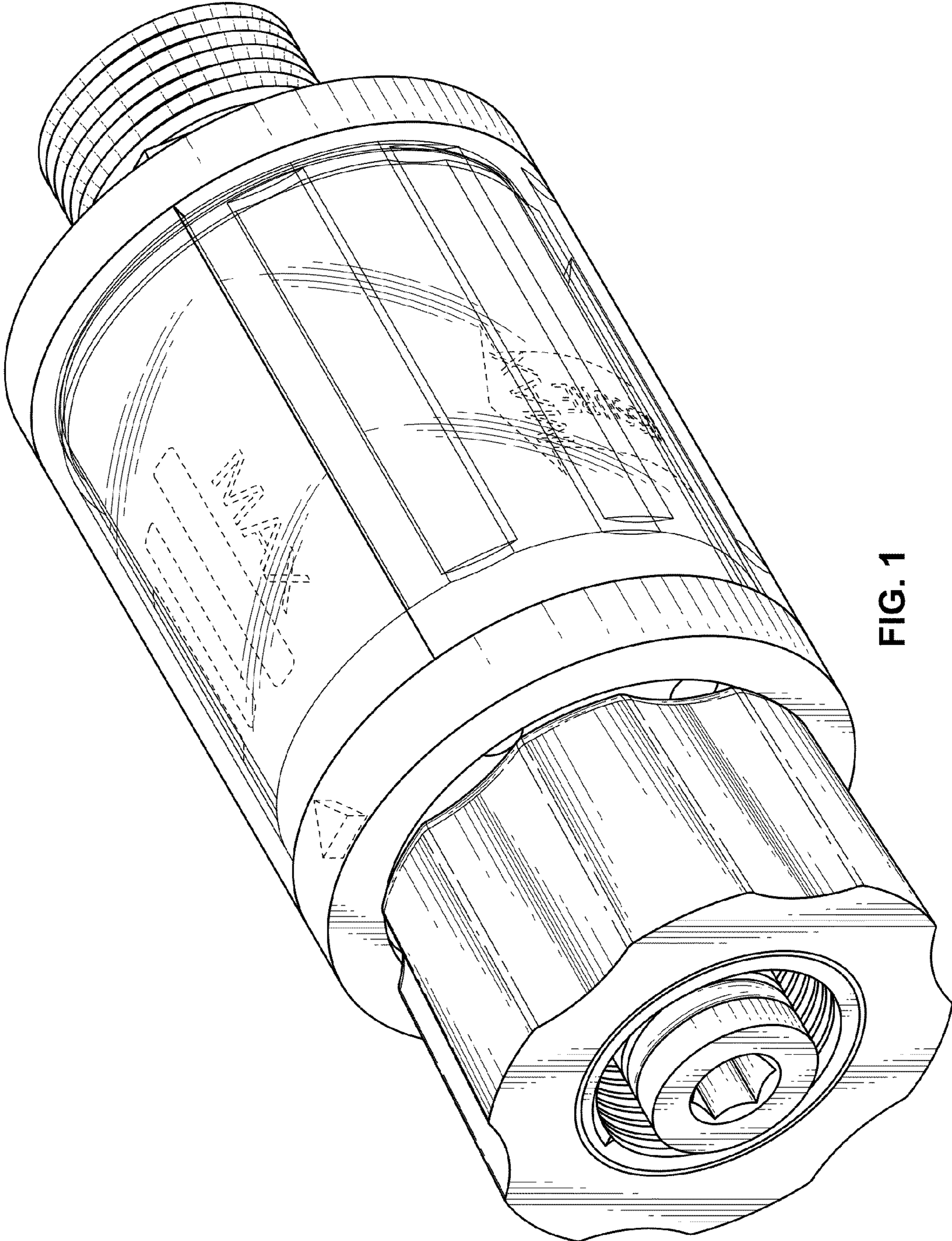


FIG. 1

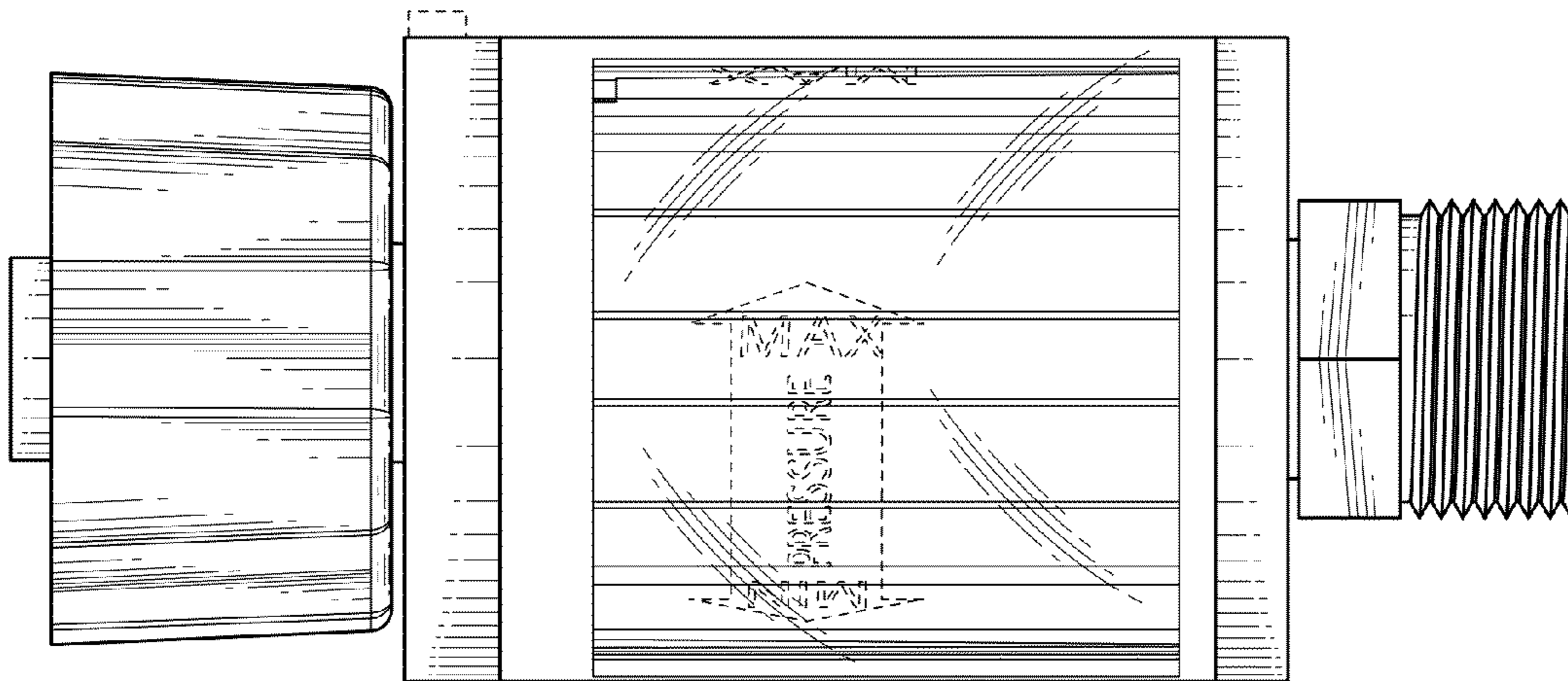


FIG. 2

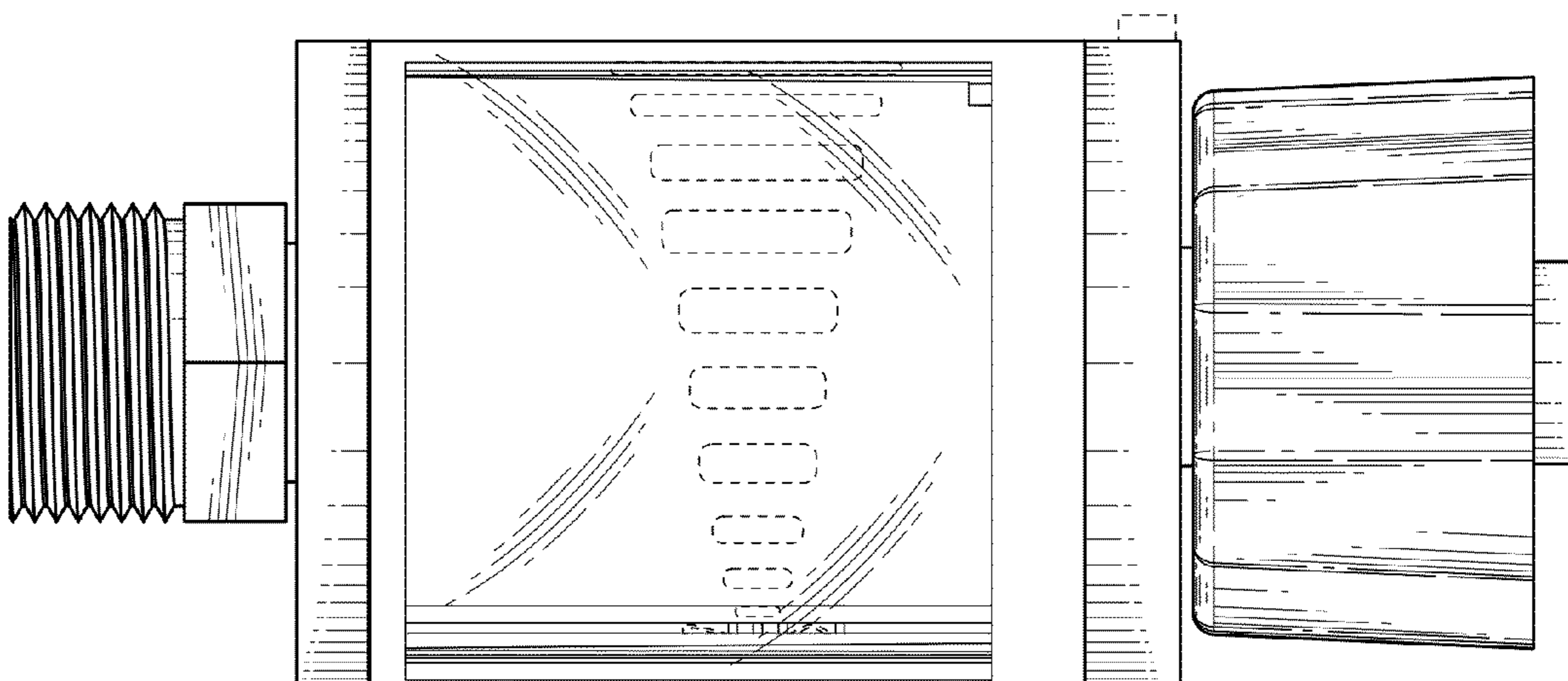


FIG. 3

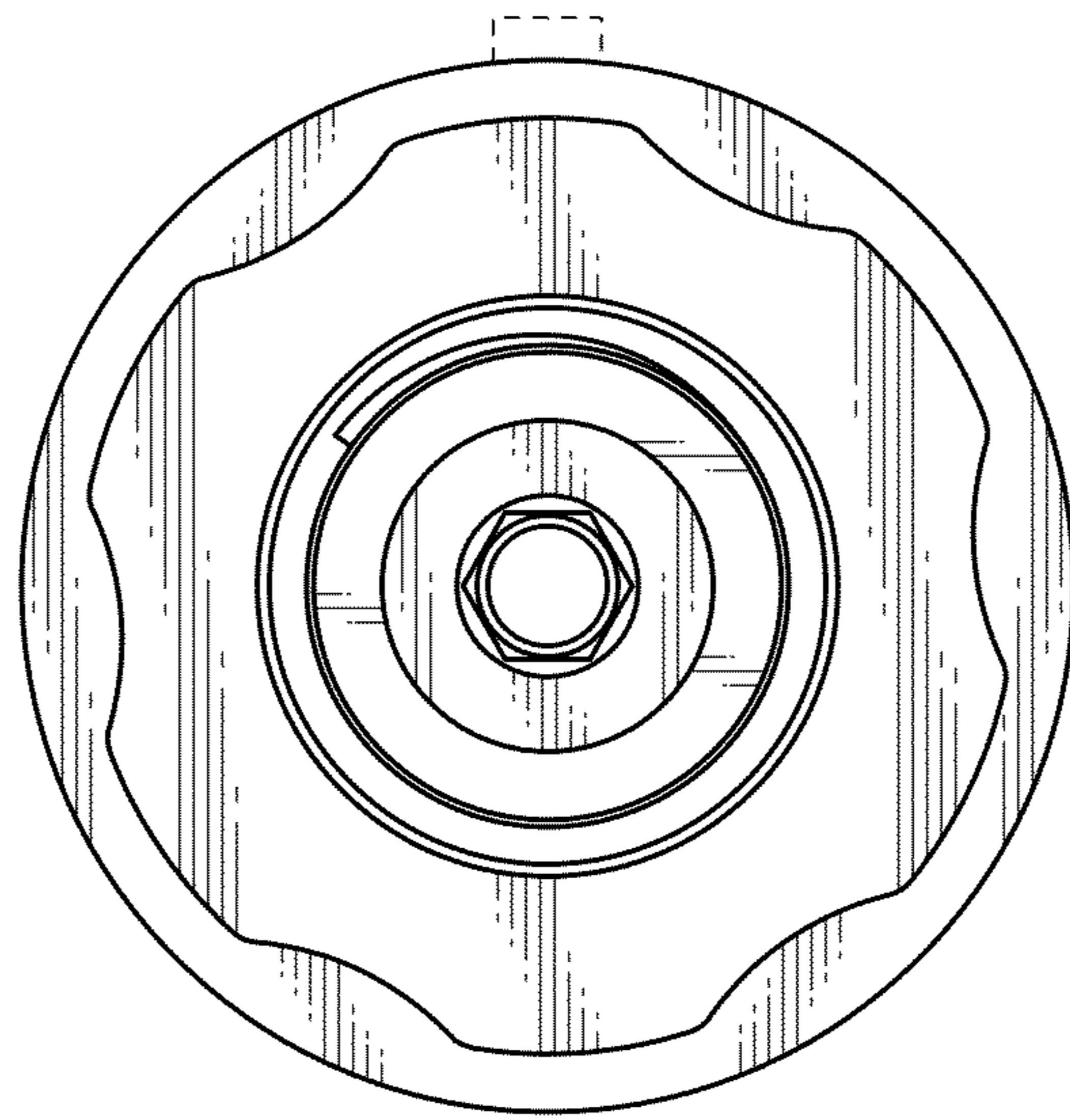


FIG. 4

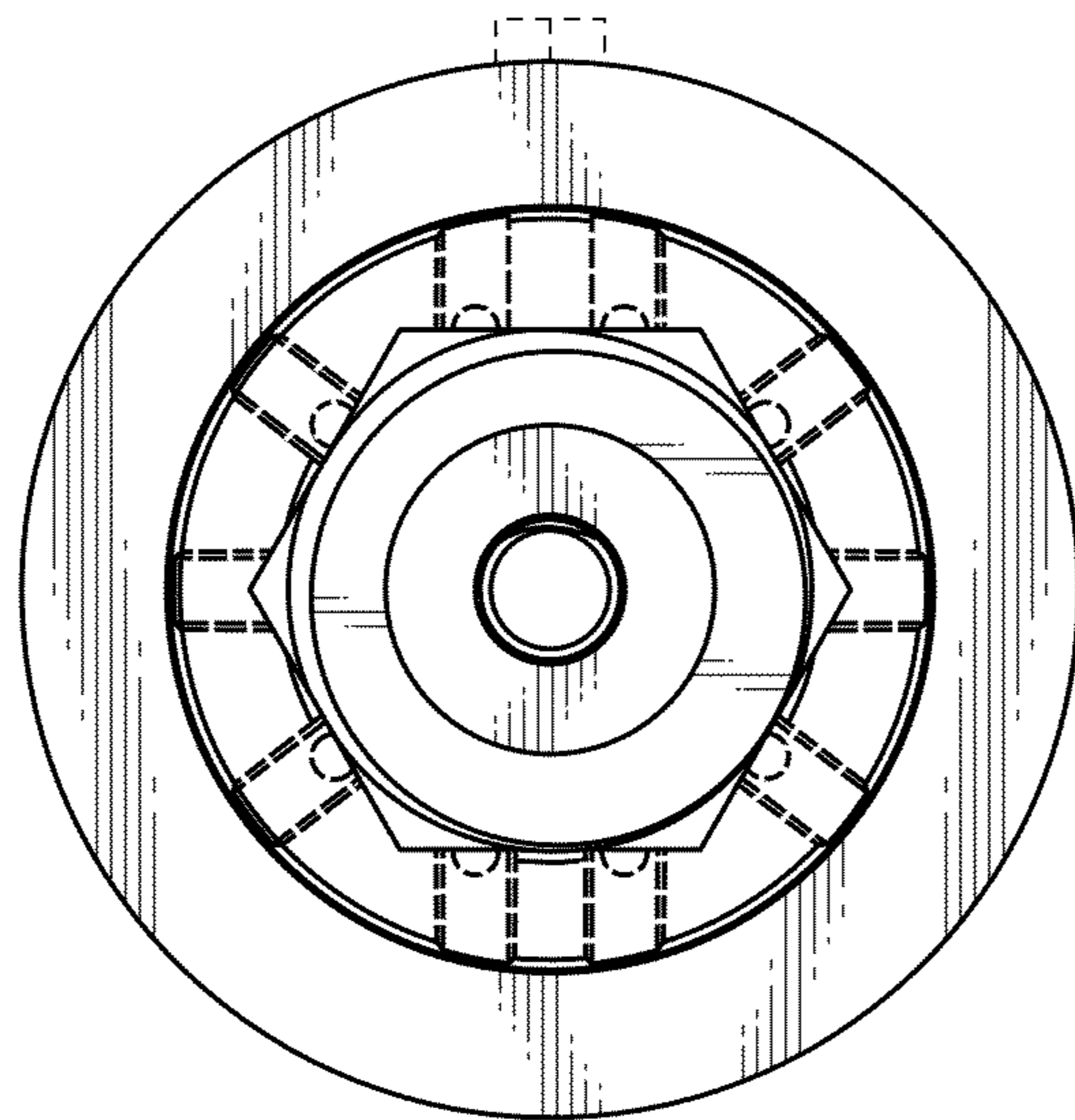


FIG. 5

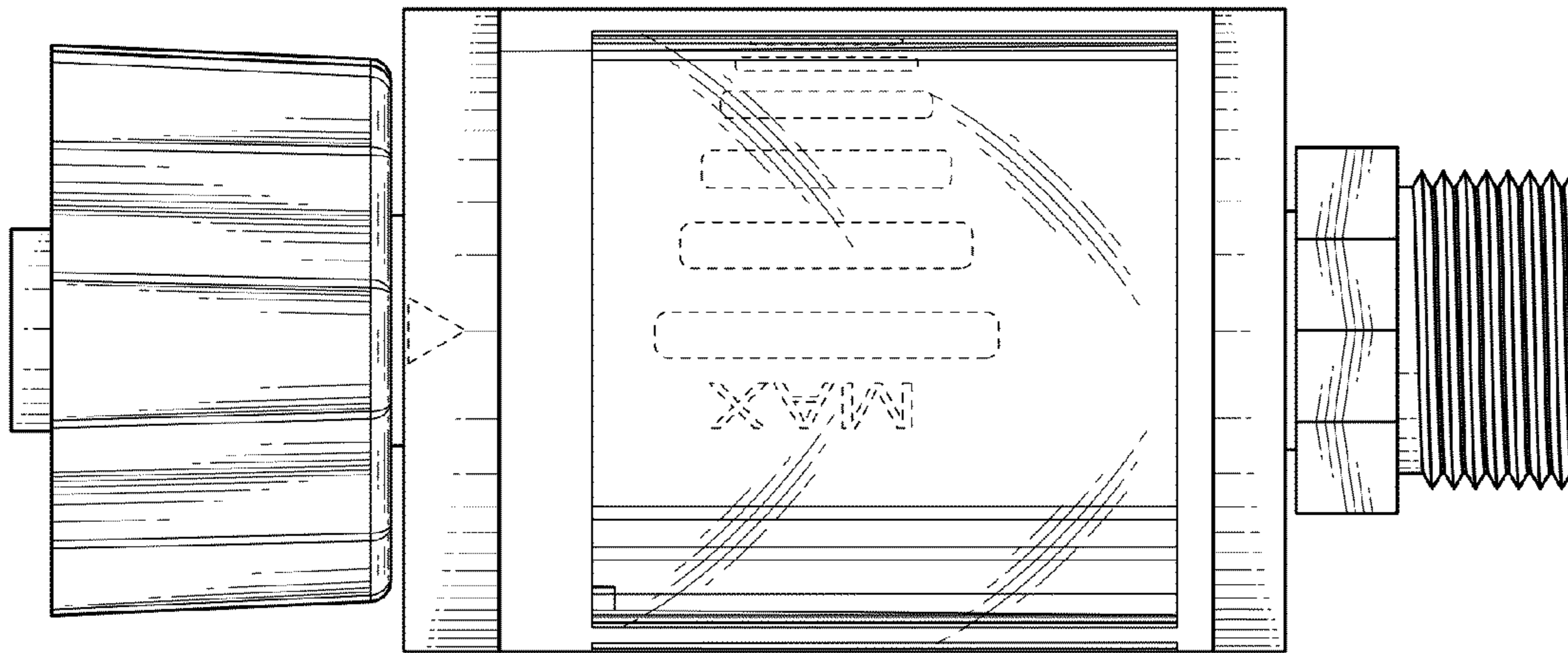


FIG. 6

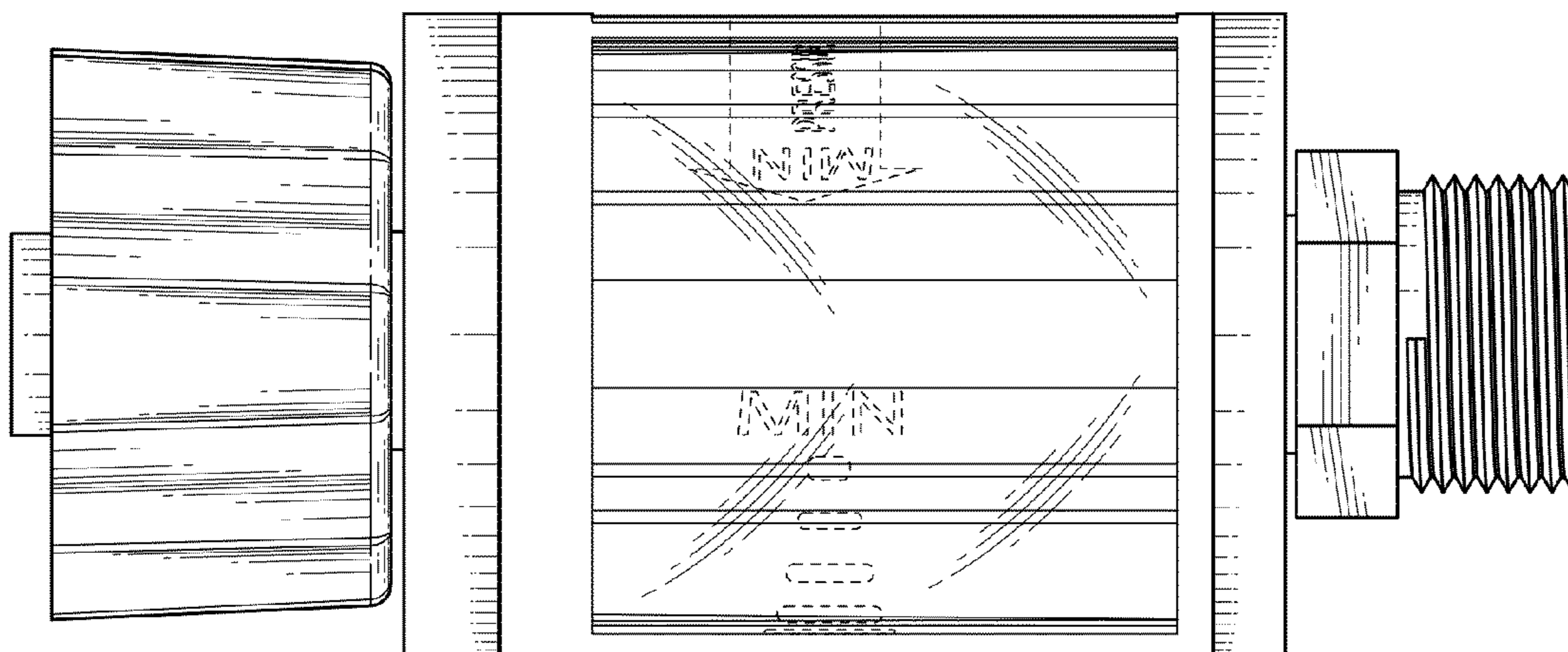


FIG. 7

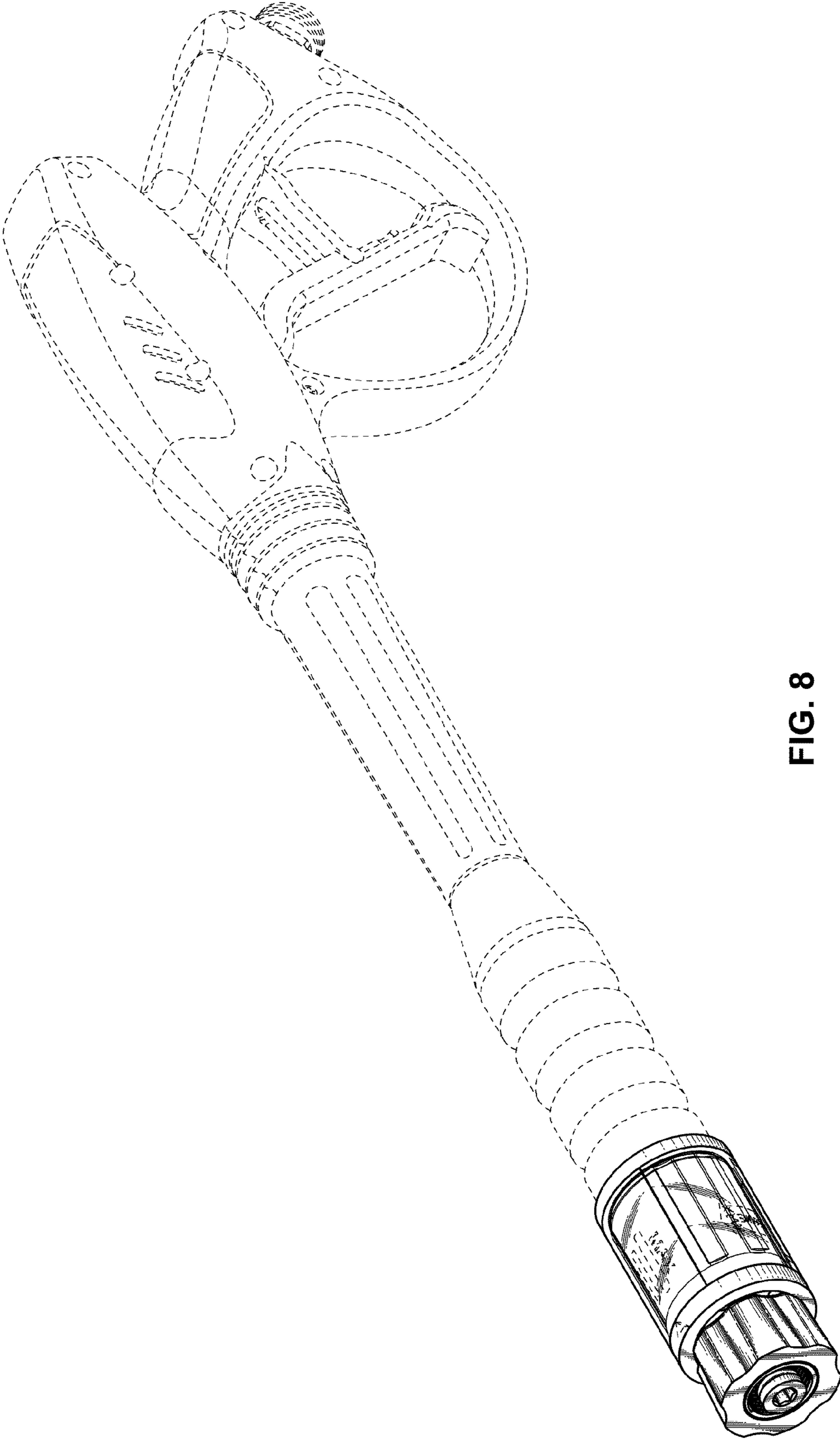


FIG. 8

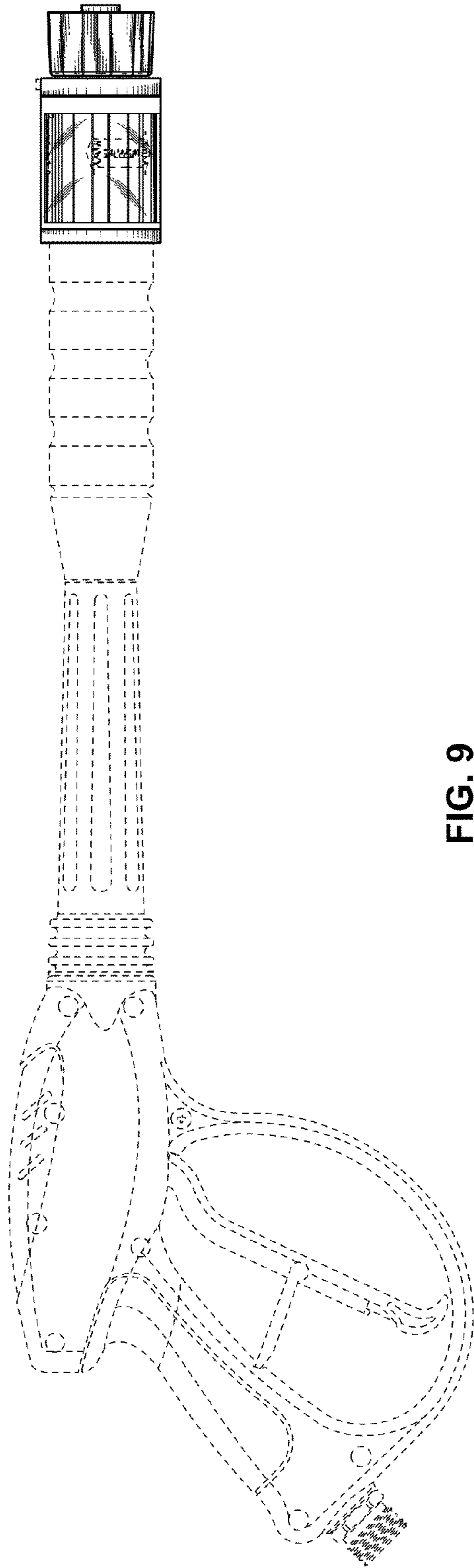


FIG. 9

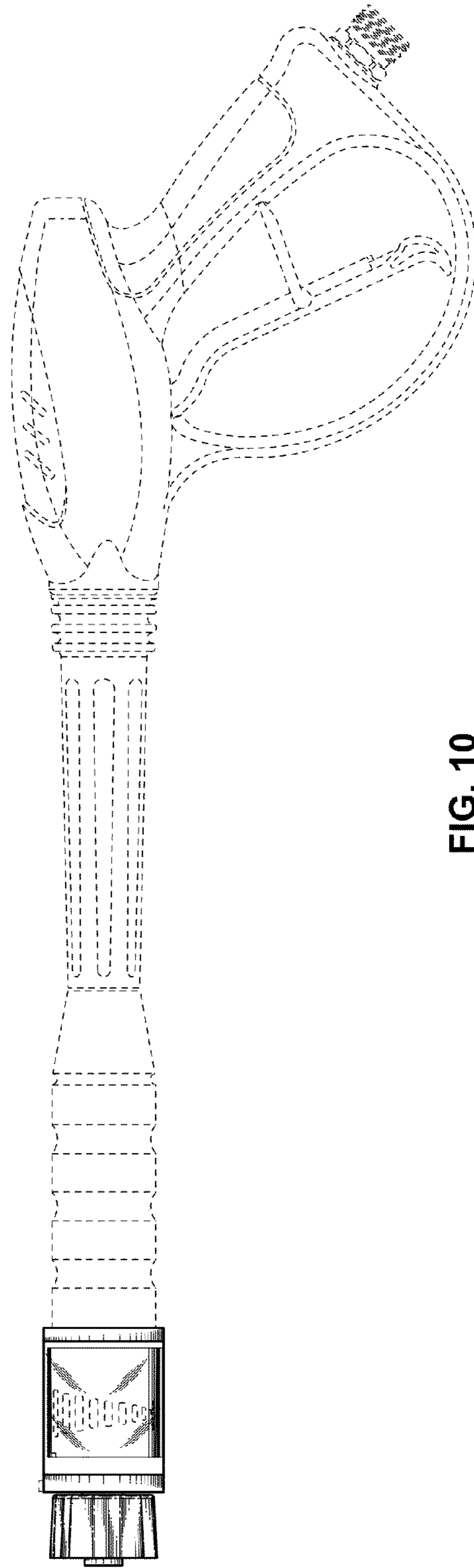


FIG. 10

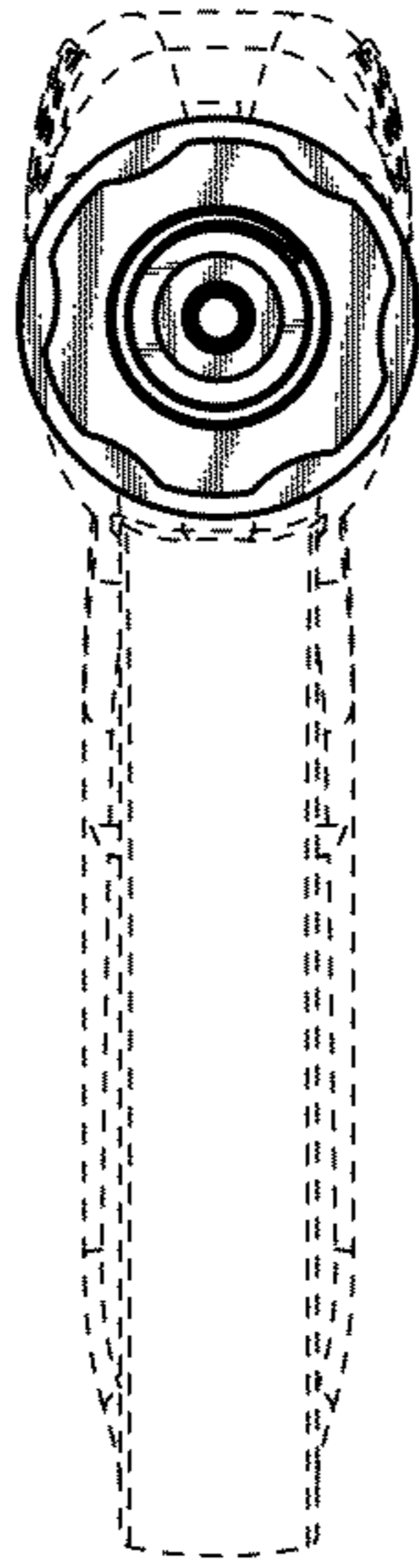


FIG. 11

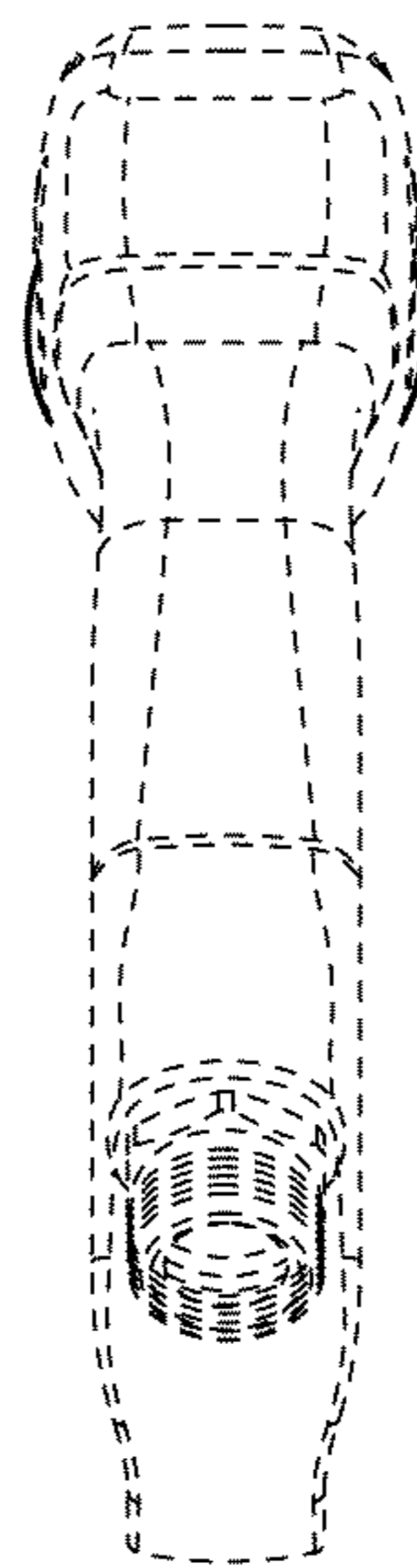


FIG. 12

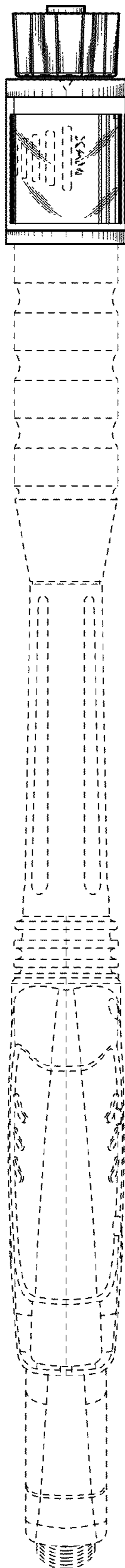


FIG. 13

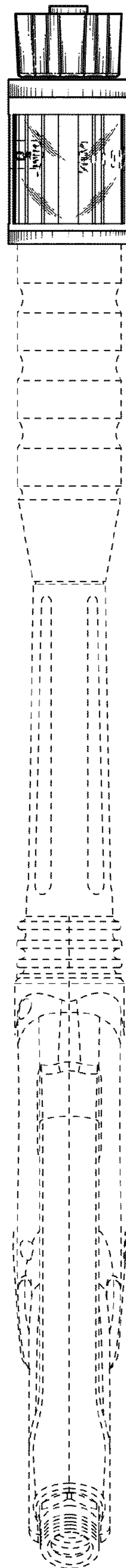


FIG. 14