



US00D745113S

(12) **United States Design Patent**
Fahim

(10) **Patent No.:** **US D745,113 S**

(45) **Date of Patent:** **** Dec. 8, 2015**

(54) **AIR VENT DEVICE**

(71) Applicant: **Farshad Fahim**, Ladera Ranch, CA
(US)

(72) Inventor: **Farshad Fahim**, Ladera Ranch, CA
(US)

(**) Term: **14 Years**

(21) Appl. No.: **29/503,140**

(22) Filed: **Sep. 23, 2014**

(51) **LOC (10) Cl.** **23-01**

(52) **U.S. Cl.**
USPC **D23/233**

(58) **Field of Classification Search**
USPC D23/233-269; 137/218, 434, 800, 232,
137/443, 223, 486, 10, 613, 625.4, 625.48,
137/115.13, 12, 14, 15.18, 487, 489.5, 503;
114/345, 197; 454/145, 254;
222/484.1; 215/11.4, 11.5, 344;
220/371, 200
CPC B60H 1/34; B60H 3/0028; B60H 1/00564;
F24F 11/0001
See application file for complete search history.

(56) **References Cited**

U.S. PATENT DOCUMENTS

1,971,284	A *	8/1934	Stockman	222/90
2,298,938	A *	10/1942	Griffin, Jr. et al.	220/373
3,055,106	A	9/1962	Schneier		
3,974,938	A *	8/1976	Steadman	220/266
5,295,599	A *	3/1994	Smith	215/204
6,138,711	A *	10/2000	Lung-Po	137/527.8
6,439,259	B1 *	8/2002	Beaver	137/232
6,648,004	B2 *	11/2003	Lau	137/223
6,783,025	B2 *	8/2004	Lohn	220/806
6,994,621	B2	2/2006	Mashiko et al.		

7,165,568	B2 *	1/2007	Kessell et al.	137/68.3
7,387,216	B1 *	6/2008	Smith	220/254.3
7,401,619	B2 *	7/2008	Song et al.	137/223
7,493,808	B2 *	2/2009	Milanovich et al.	73/146.8
8,056,772	B2 *	11/2011	Ophardt et al.	222/321.7
8,347,919	B2 *	1/2013	Tsai	137/854
8,393,349	B2 *	3/2013	Chen	137/227
2009/0318058	A1 *	12/2009	Chen	450/38
2011/0275305	A1 *	11/2011	Egersdoerfer et al.	454/339
2014/0021222	A1 *	1/2014	Forbis et al.	222/153.14

FOREIGN PATENT DOCUMENTS

EP	1363069	11/2003
EP	2560469	2/2013

OTHER PUBLICATIONS

Gore Packaging Vents.

* cited by examiner

Primary Examiner — Cynthia Ramirez

Assistant Examiner — Gino Colan

(74) *Attorney, Agent, or Firm* — David M. Kleiman

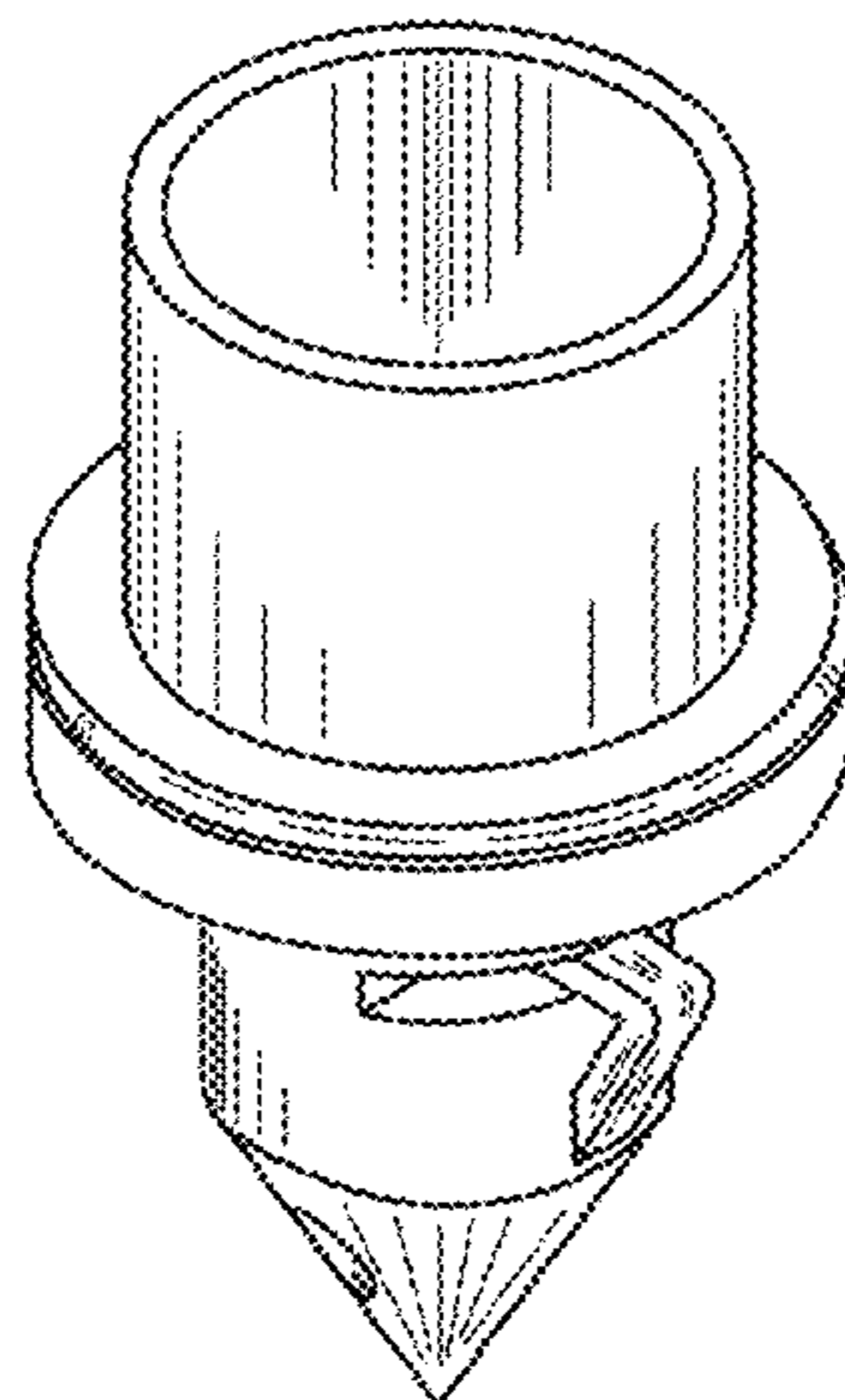
(57) **CLAIM**

The ornamental design for an air vent device, as shown and described.

DESCRIPTION

FIG. 1 is a front, left side perspective of the air vent device. FIG. 2 is a front view of the air vent device. FIG. 3 is a back view of the air vent device. FIG. 4 is a right side view of the air vent device. FIG. 5 is a left side view of the air vent device. FIG. 6 is a top view of the air vent device; and, FIG. 7 is a bottom view of the air vent device. The broken lines in the figures are to show portions of the air vent device and form no part of the claimed design.

1 Claim, 4 Drawing Sheets



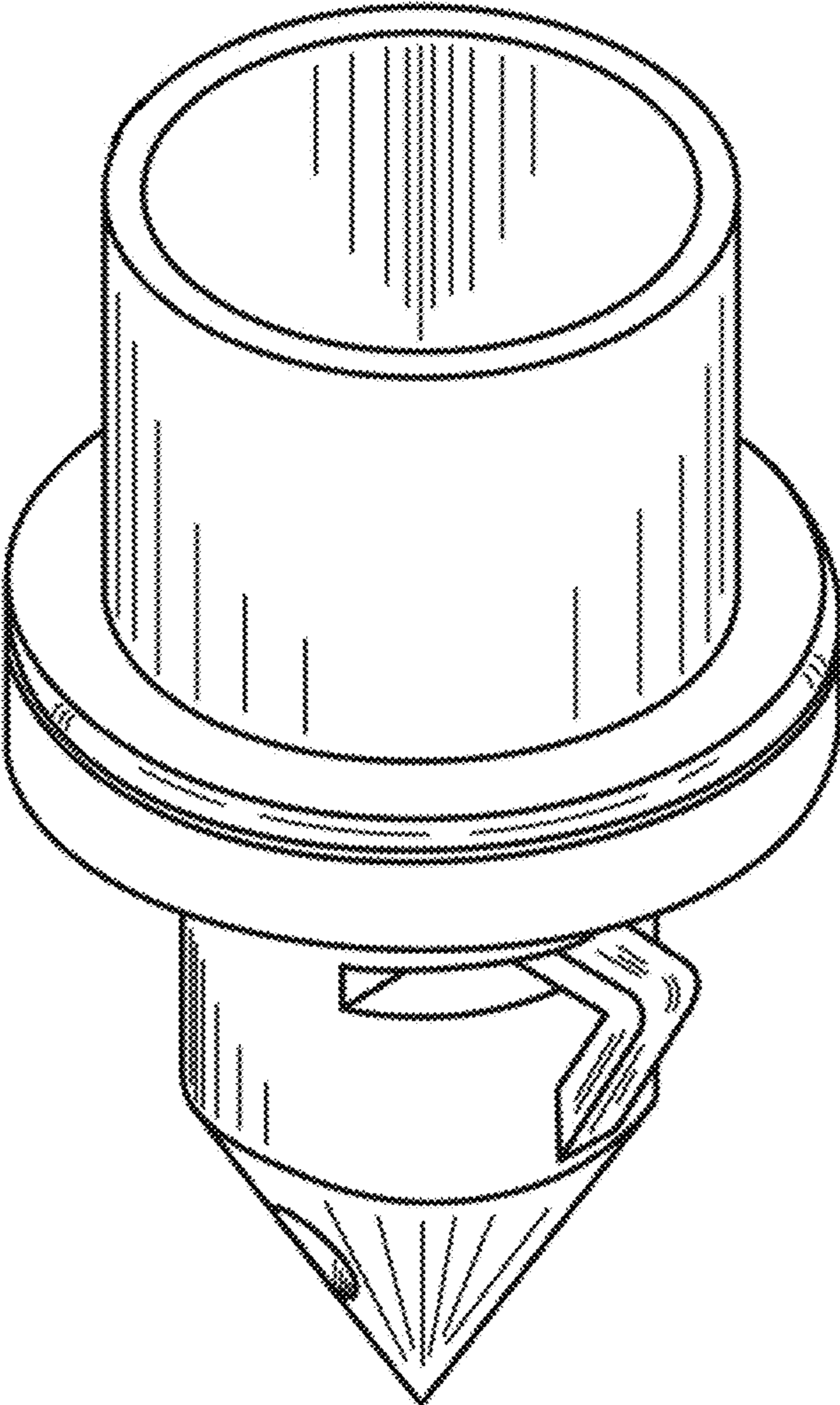


FIG 1

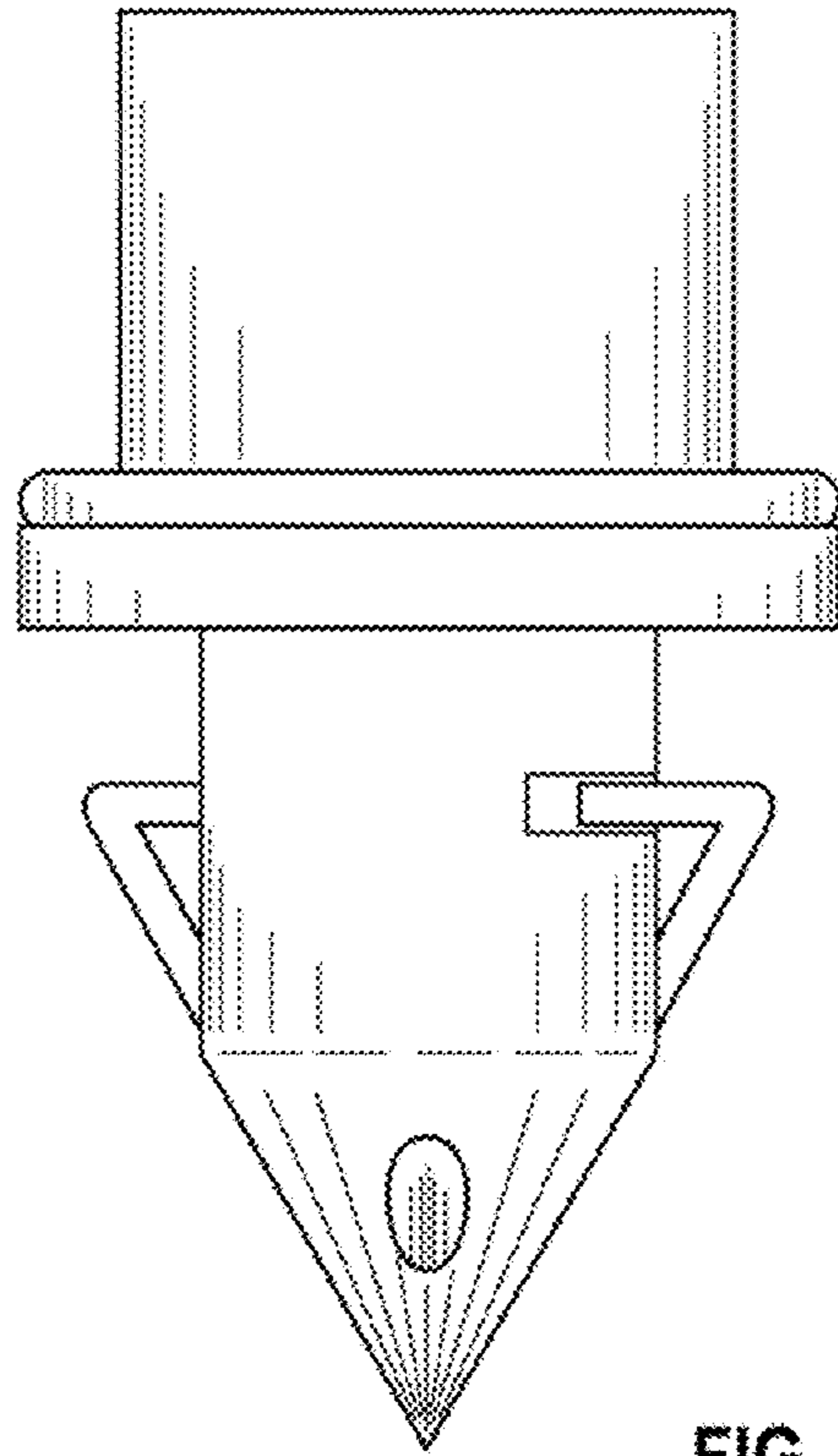


FIG. 2

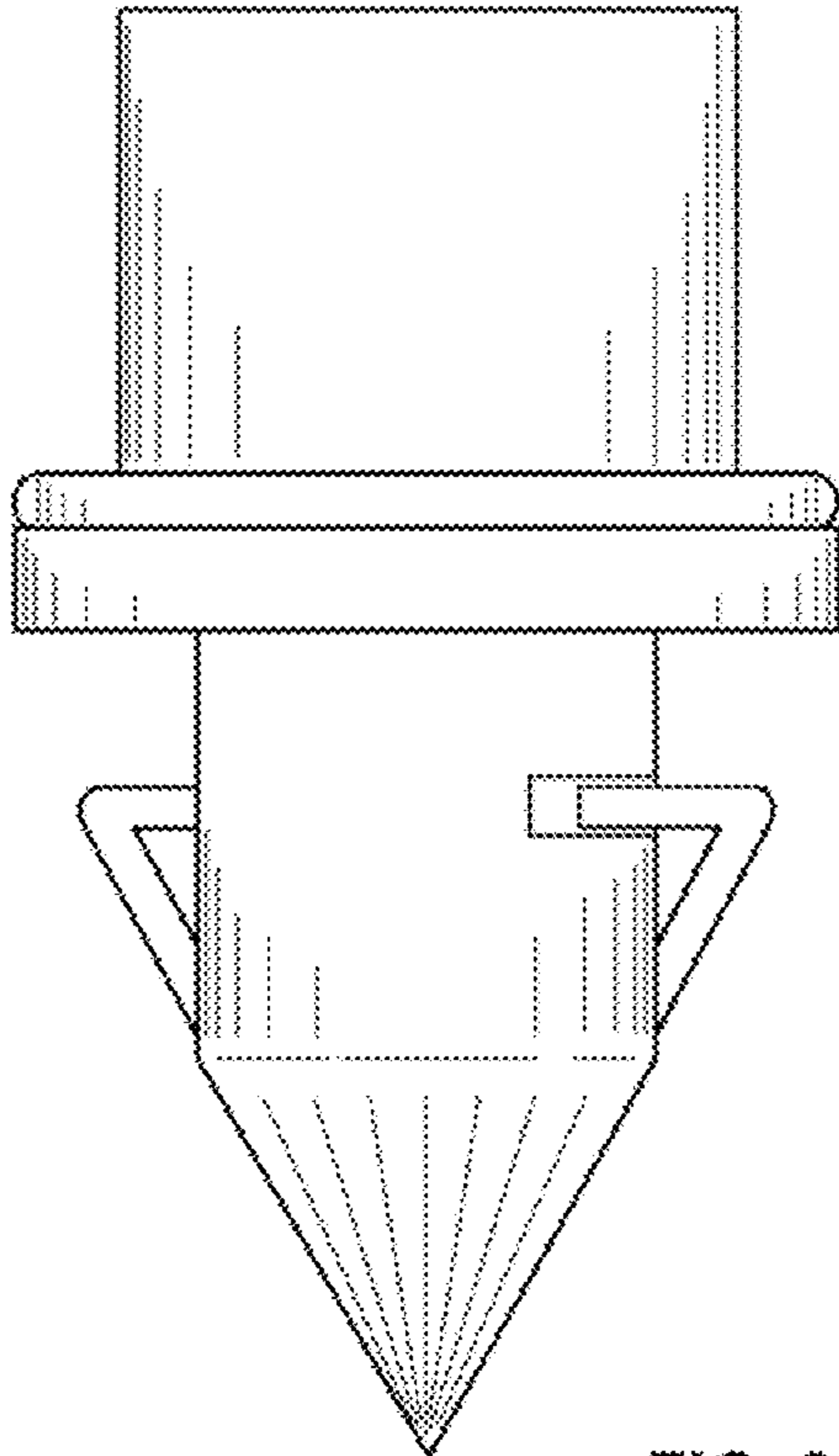


FIG. 3

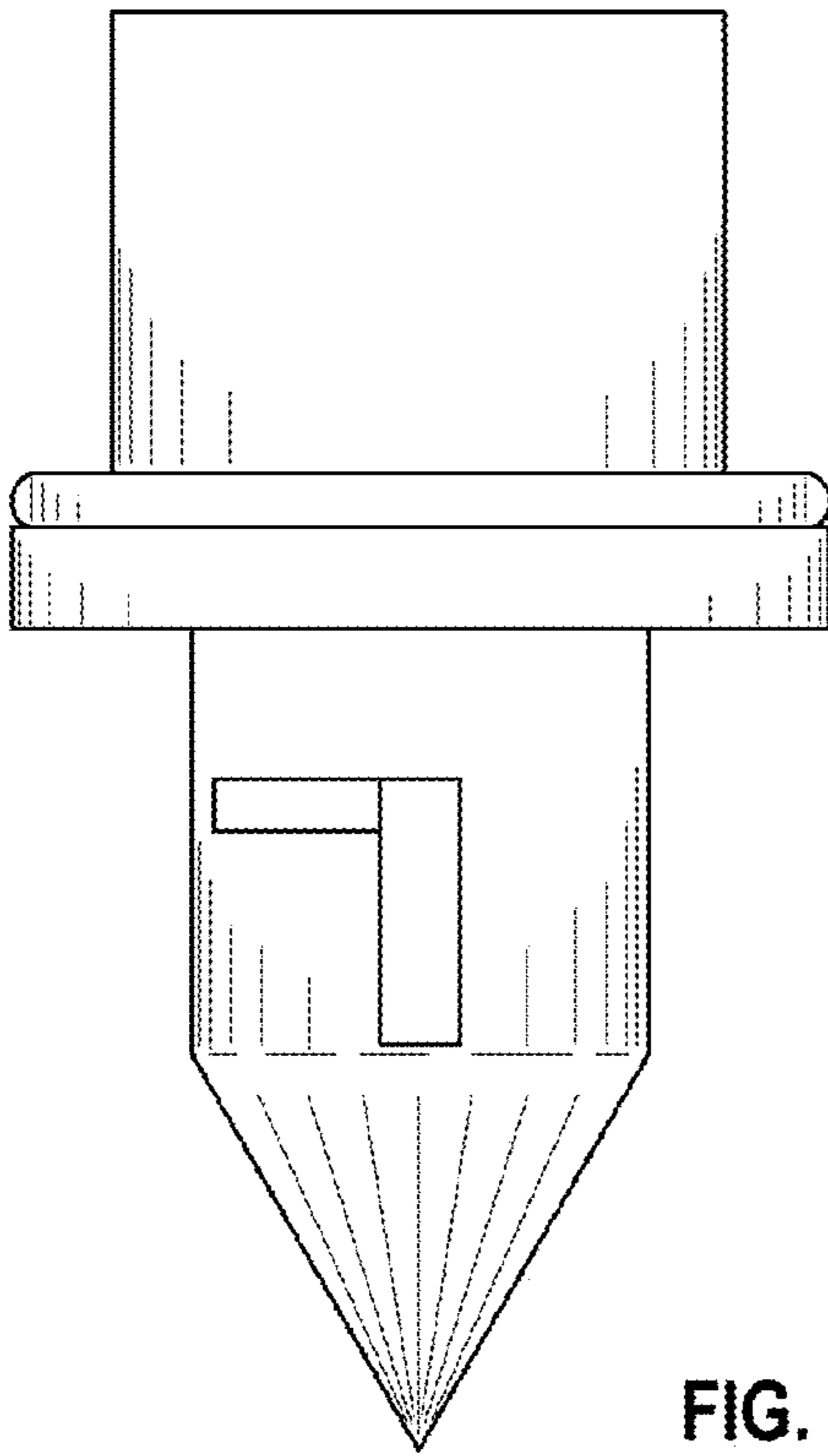


FIG. 4

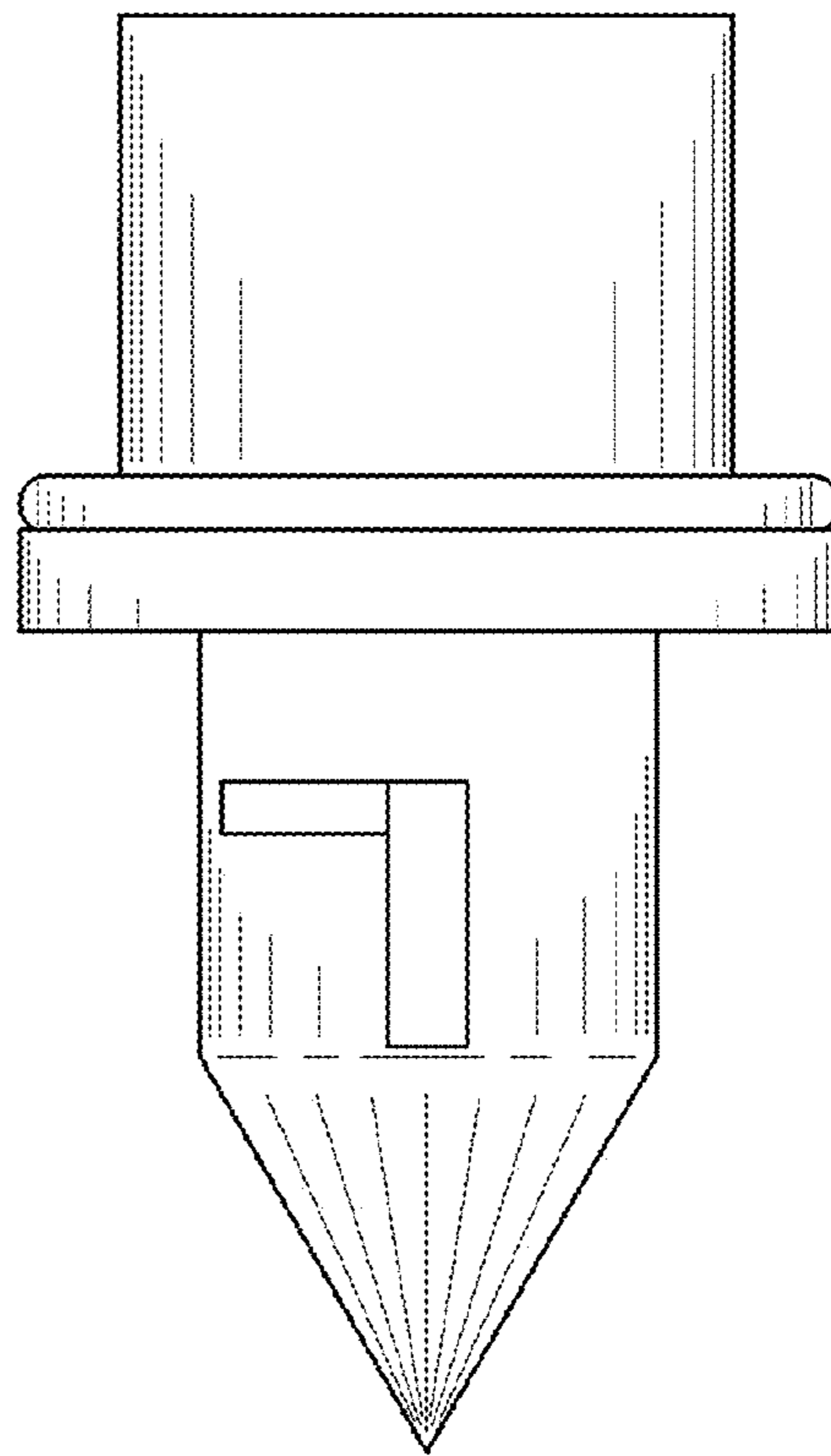


FIG. 5

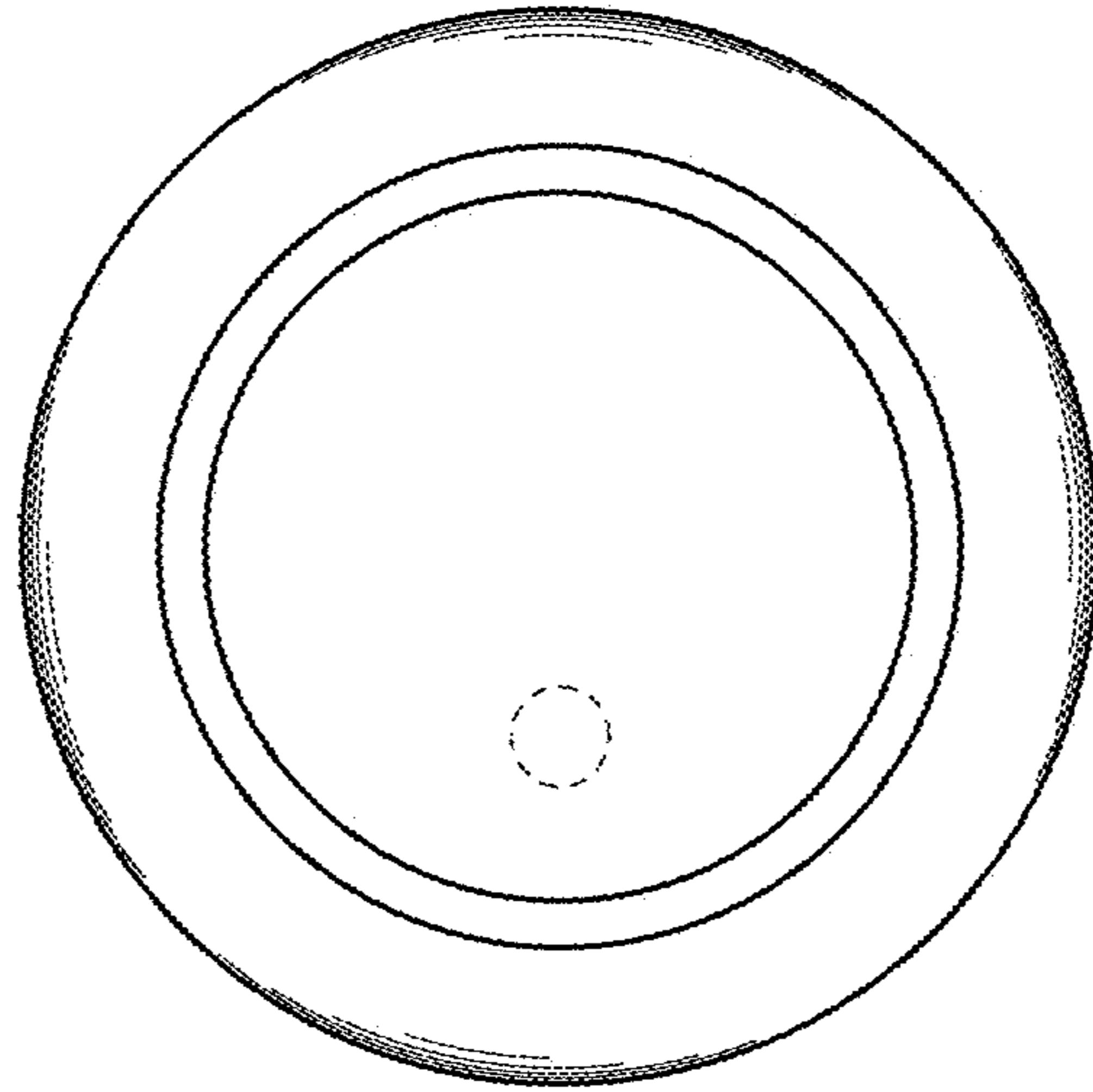


FIG. 6

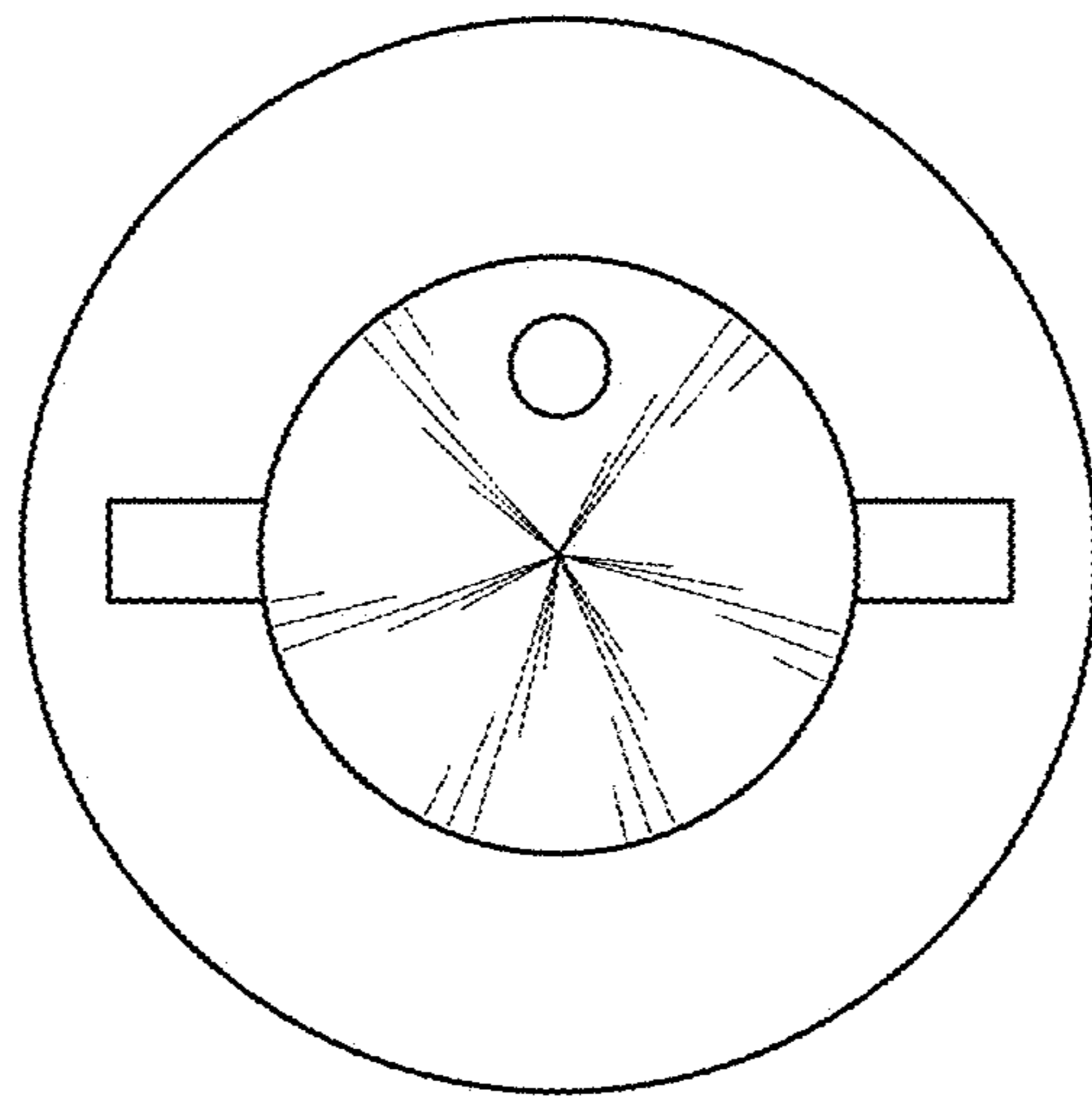


FIG. 7