



US00D745112S

(12) **United States Design Patent**  
Stevens et al.

(10) **Patent No.:** US D745,112 S  
(45) **Date of Patent:** \*\* Dec. 8, 2015

(54) **HYDRAULIC UNIT**

(71) Applicant: **Parker-Hannifin Corporation**,  
Cleveland, OH (US)  
  
(72) Inventors: **Clyde B Stevens**, Buffalo Grove, IL  
(US); **Dennis C Allen**, Avon, OH (US);  
**Hao Zhang**, Twinsburg, OH (US);  
**James Howland**, Willoughby Hills, OH  
(US); **Michelle Tauchen**, Hawthorn  
Woods, IL (US); **Shawn Vogel**,  
Grayslake, IL (US); **Stephen Brunton**,  
Palatine, IL (US); **Yong Woon Jeon**,  
Gyeonggi-do (KR); **Peter Stambro**,  
Hawthorn Woods, IL (US); **Raymond E  
Collett**, Put in Bay, OH (US)

(73) Assignee: **Parker-Hannifin Corporation**,  
Cleveland, OH (US)

(\*\*) Term: **14 Years**

(21) Appl. No.: **29/488,558**

(22) Filed: **Apr. 21, 2014**

(51) **LOC (10) Cl.** ..... **23-01**

(52) **U.S. Cl.**  
USPC ..... **D23/233; D15/28**

(58) **Field of Classification Search**  
USPC ..... D23/233, 262, 245, 247; D15/1-5, 28;  
137/883-887, 597; 303/9.61, 9.66,  
303/1-5, 6.01, 7-9, 9.72, 9.75  
See application file for complete search history.

(56) **References Cited**

U.S. PATENT DOCUMENTS

5,437,306 A \* 8/1995 Asou et al. .... 137/625.64  
5,603,355 A \* 2/1997 Miyazoe et al. .... 137/625.64  
D392,234 S \* 3/1998 Wallace ..... D12/180  
D406,320 S \* 3/1999 Lynch et al. .... D23/245  
D414,844 S \* 10/1999 Lynch et al. .... D23/245  
D416,980 S \* 11/1999 Sato et al. .... D23/233

D419,216 S \* 1/2000 Sato et al. .... D23/233  
D426,615 S \* 6/2000 Sato et al. .... D23/233  
D433,481 S \* 11/2000 Kaneko et al. .... D23/233  
6,408,876 B1 \* 6/2002 Nishimura et al. .... 137/596.15  
6,505,645 B1 \* 1/2003 Pack et al. .... 137/596.13  
D500,259 S \* 12/2004 Kita et al. .... D10/85  
D513,786 S \* 1/2006 Montano et al. .... D23/233  
D520,520 S \* 5/2006 Nimberger ..... D15/5  
D520,598 S \* 5/2006 Nimberger ..... D23/233  
D540,347 S \* 4/2007 Stephenson et al. .... D15/5  
D542,307 S \* 5/2007 Stephenson et al. .... D15/5  
D557,283 S \* 12/2007 Miller et al. .... D15/5  
D573,608 S \* 7/2008 Chan et al. .... D15/7  
D581,438 S \* 11/2008 Liu ..... D15/199  
D616,965 S \* 6/2010 Miyazoe et al. .... D23/233

(Continued)

*Primary Examiner* — Mark Goodwin

(74) *Attorney, Agent, or Firm* — Renner, Otto, Boisselle &  
Sklar, LLP

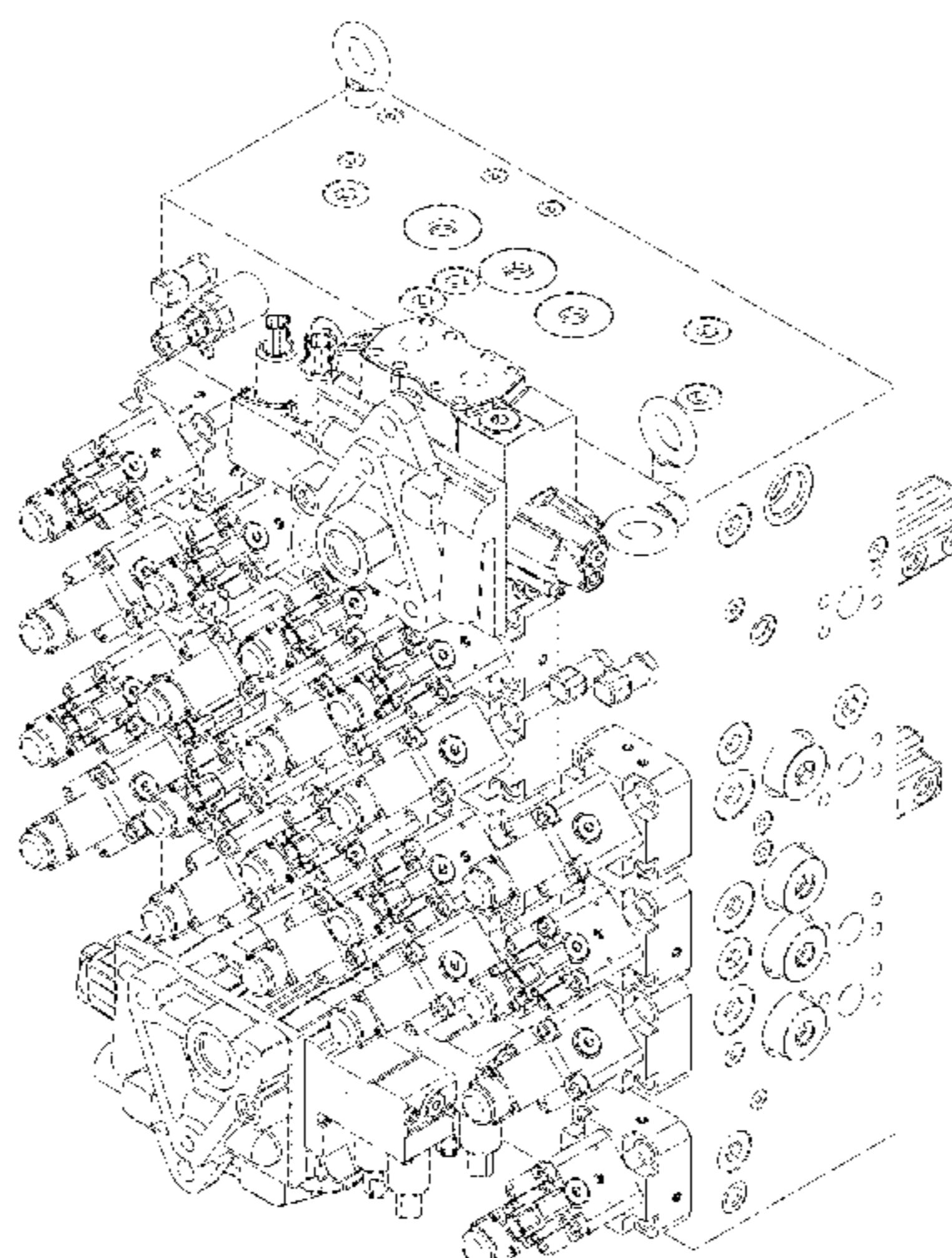
(57) **CLAIM**

The ornamental design for a hydraulic unit, as shown and  
described.

**DESCRIPTION**

FIG. 1 is a perspective view of a first embodiment of a hydraulic unit showing our new design.  
FIG. 2 is a front view thereof.  
FIG. 3 is a rear view thereof.  
FIG. 4 is as left side view thereof.  
FIG. 5 is a right side view thereof.  
FIG. 6 is a top view thereof.  
FIG. 7 is a bottom view thereof.  
FIG. 8 is a perspective view of a second embodiment of the hydraulic unit.  
FIG. 9 is a front view thereof.  
FIG. 10 is a rear view thereof.  
FIG. 11 is as left side view thereof.  
FIG. 12 is a right side view thereof.  
FIG. 13 is a top view thereof; and,  
FIG. 14 is a bottom view thereof.

**1 Claim, 14 Drawing Sheets**



# US D745,112 S

Page 2

---

(56)

## References Cited

### U.S. PATENT DOCUMENTS

D631,492 S \* 1/2011 Yater et al. .... D15/138  
D639,825 S \* 6/2011 Murakami et al. .... D15/5  
D681,784 S \* 5/2013 Liljegren et al. .... D23/262  
D686,650 S \* 7/2013 Schultheiss et al. .... D15/149

D689,984 S \* 9/2013 Miyazoe et al. .... D23/233  
D690,392 S \* 9/2013 Miyazoe et al. .... D23/233  
D692,096 S \* 10/2013 Fukano et al. .... D23/233  
D692,097 S \* 10/2013 Fukano et al. .... D23/233  
D708,303 S \* 7/2014 Gehrling ..... D23/233  
2005/0211320 A1\* 9/2005 Greenwood et al. .... 137/884  
2010/0001144 A1\* 1/2010 Lundgren ..... 248/68.1

\* cited by examiner

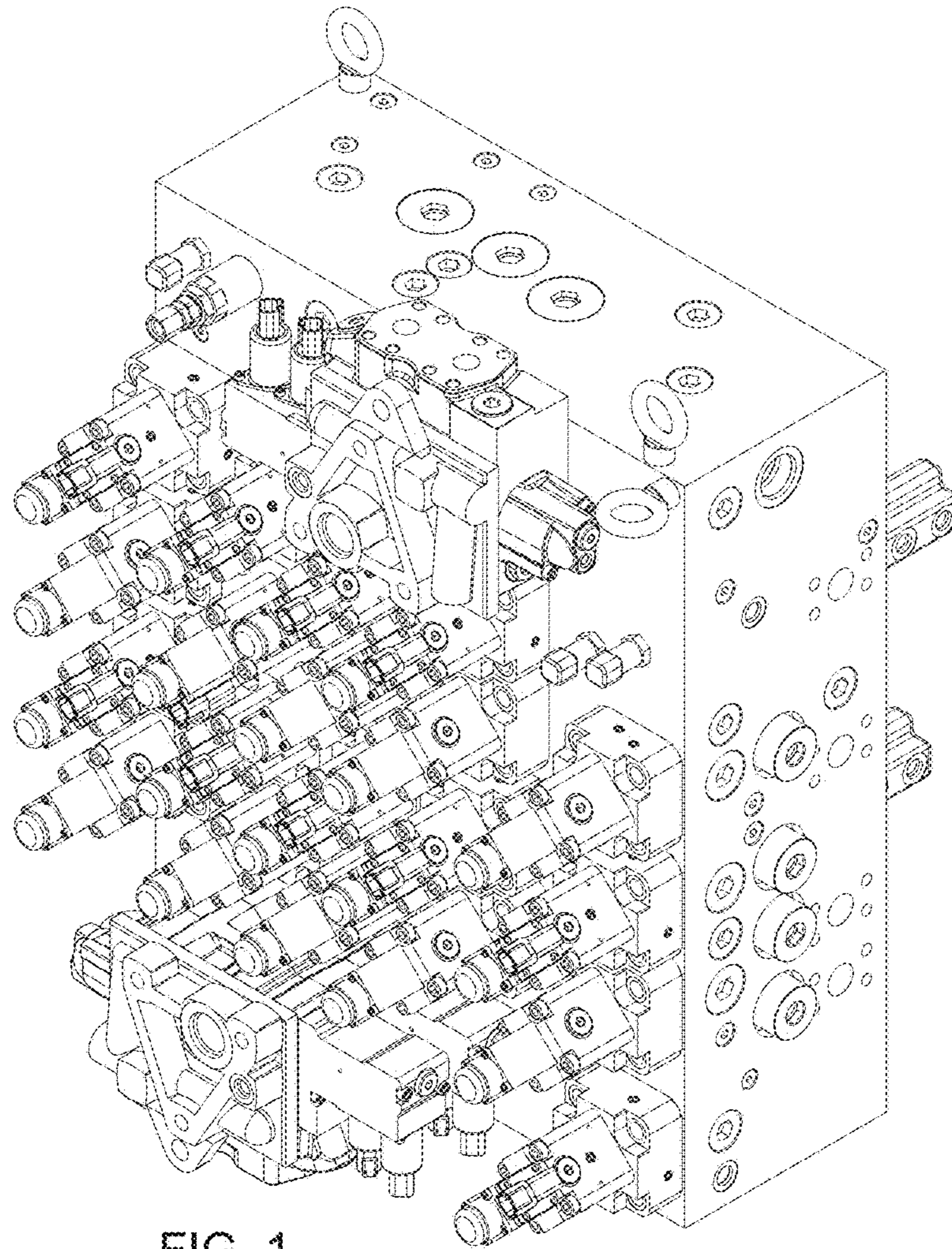


FIG. 1

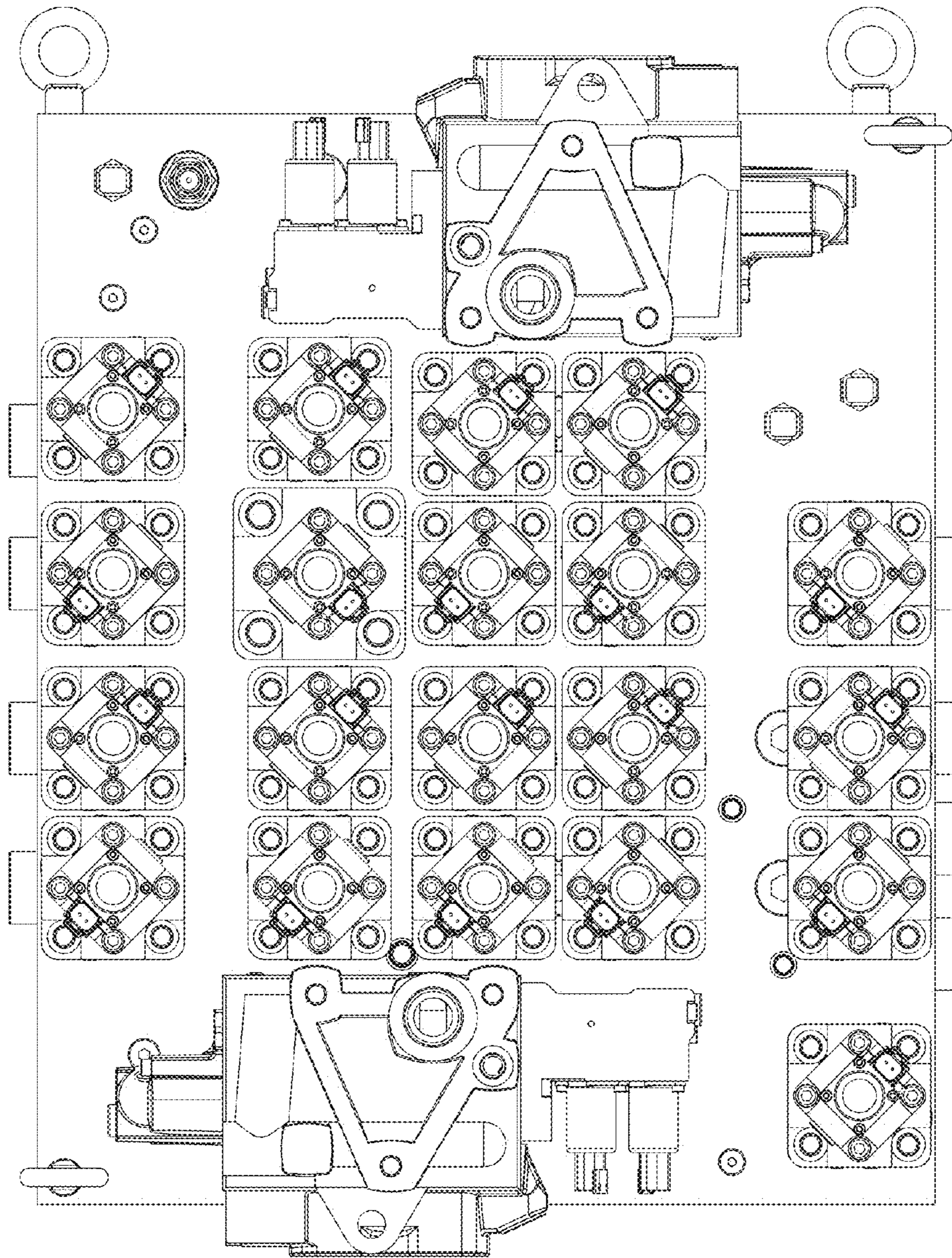


FIG. 2

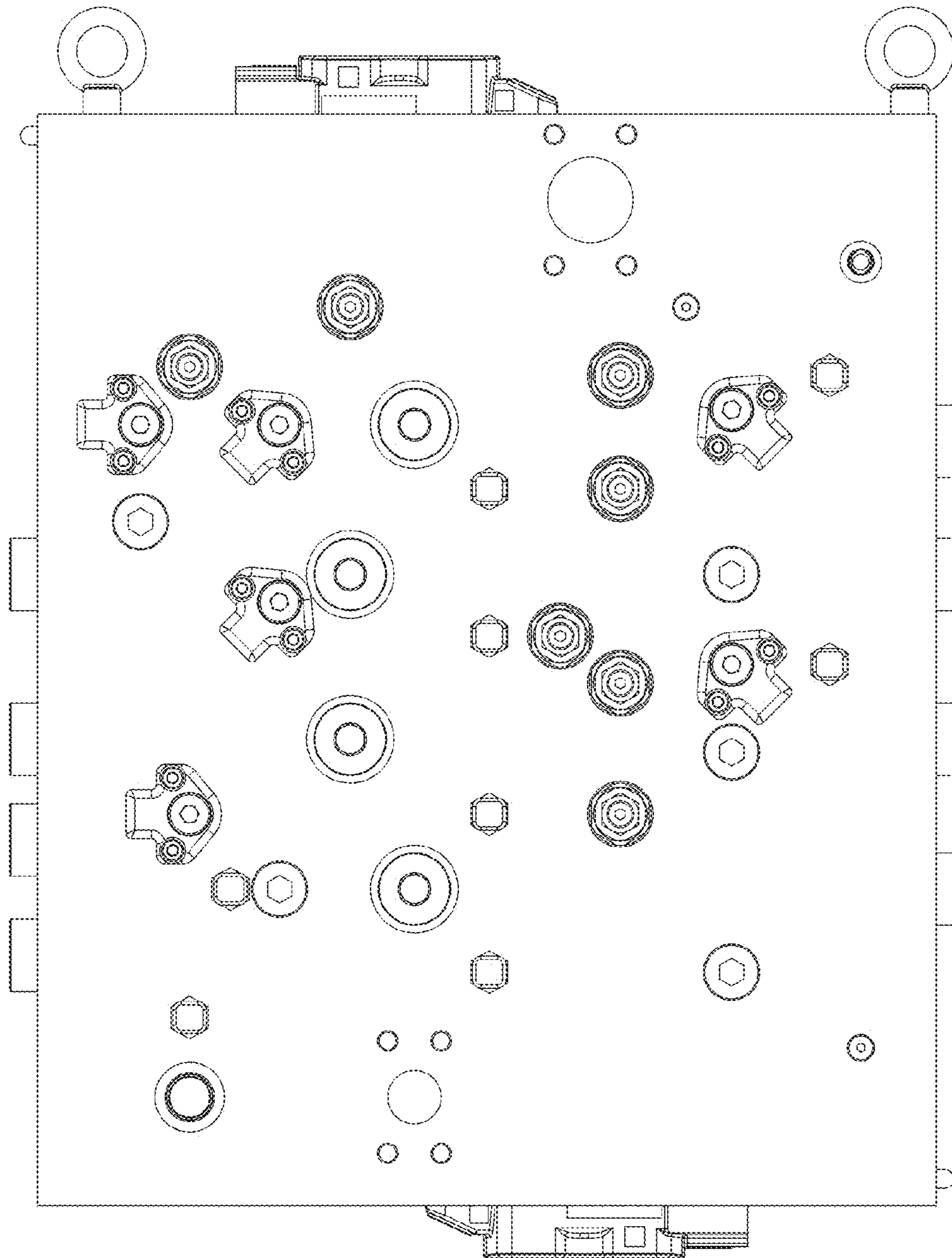


FIG. 3

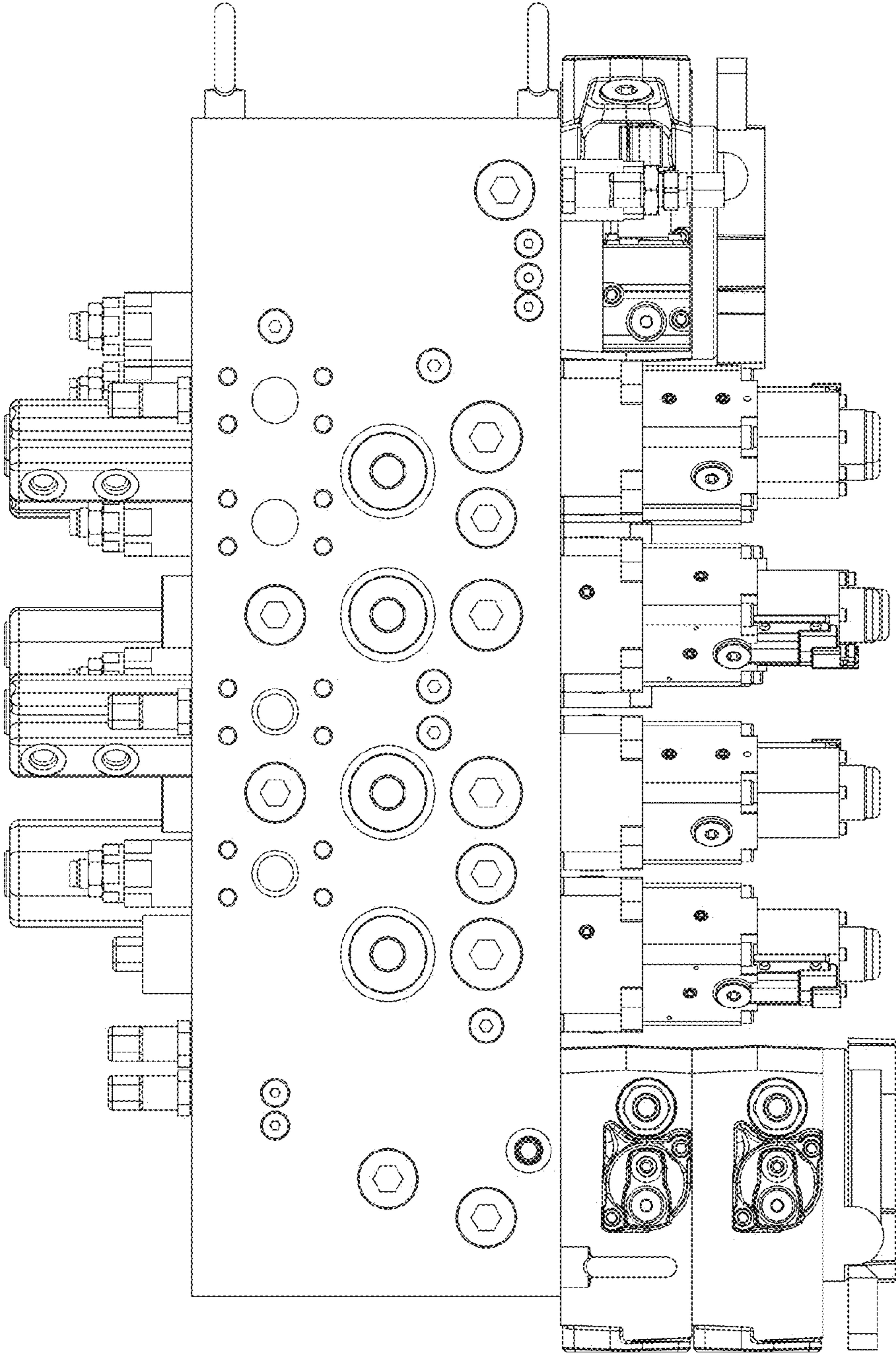


FIG. 4

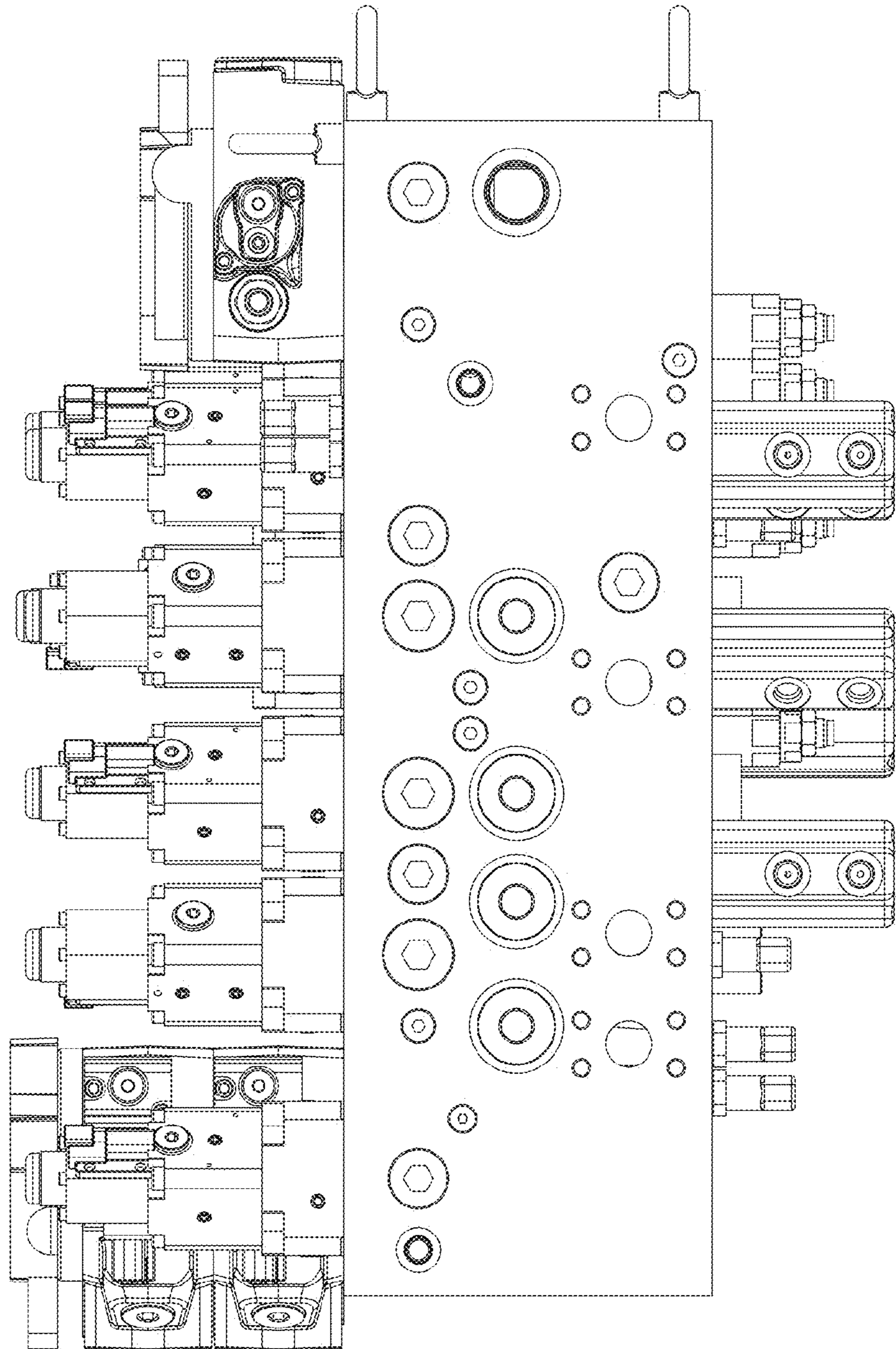


FIG. 5

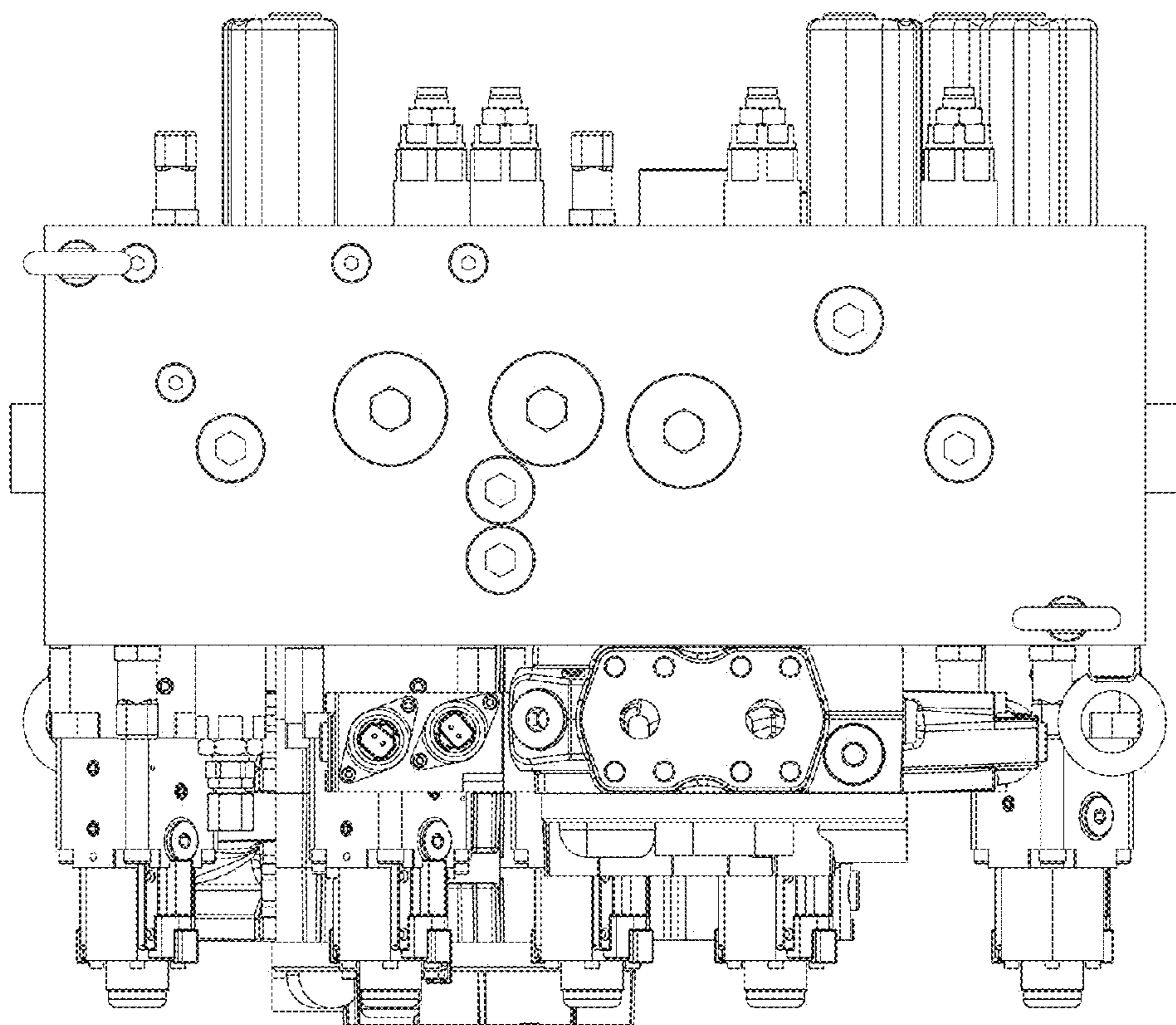


FIG. 6



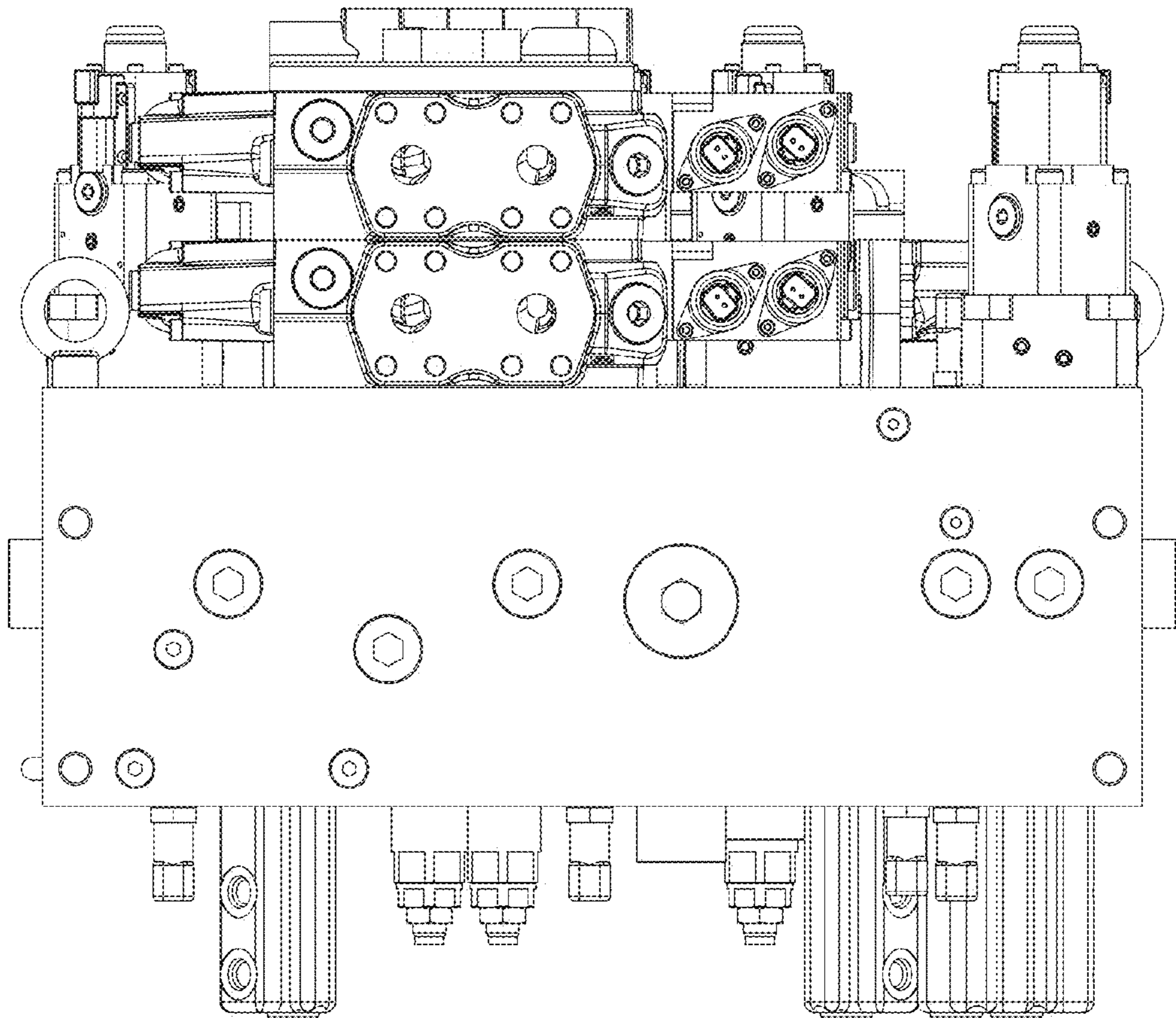


FIG. 7

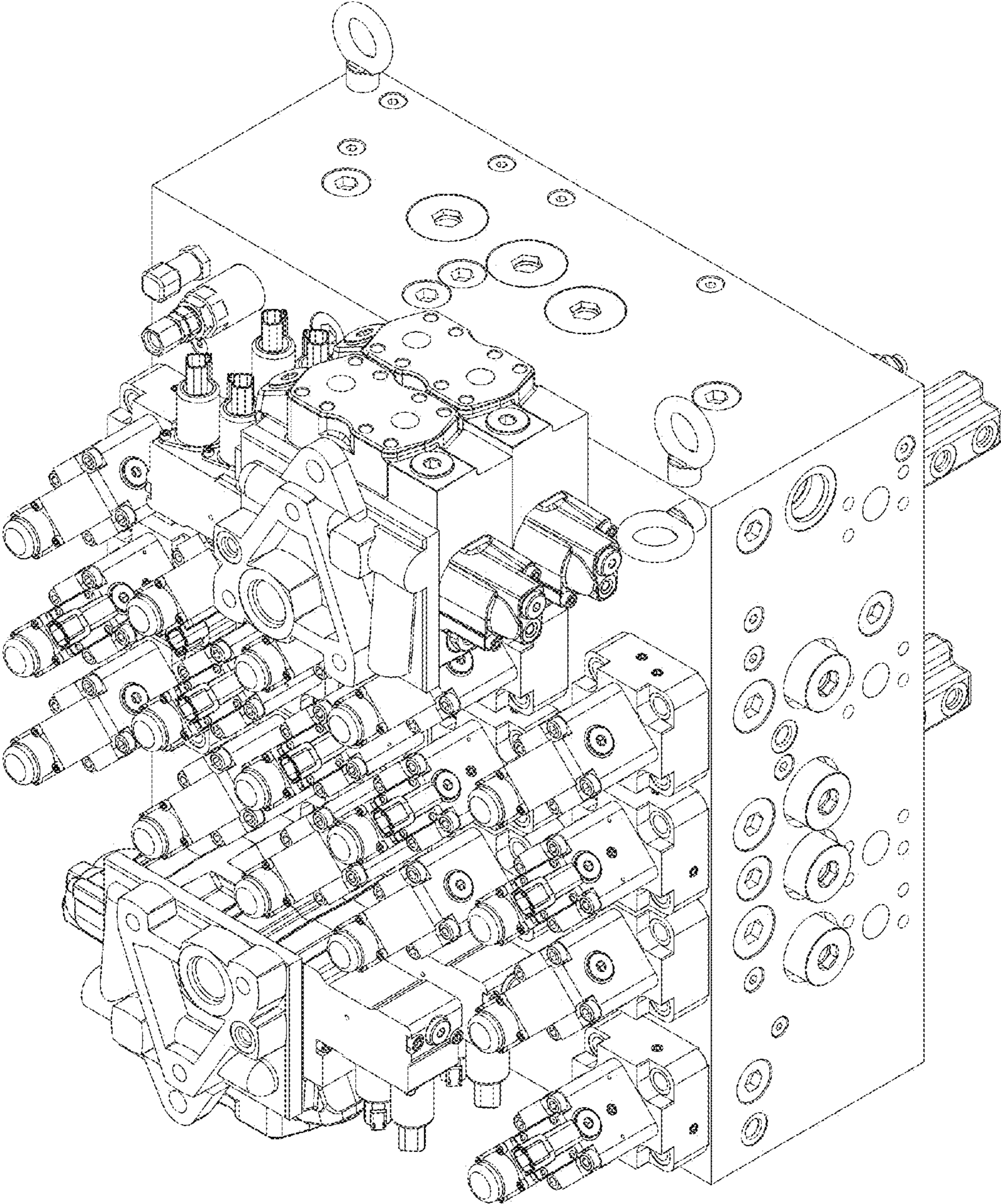


FIG. 8

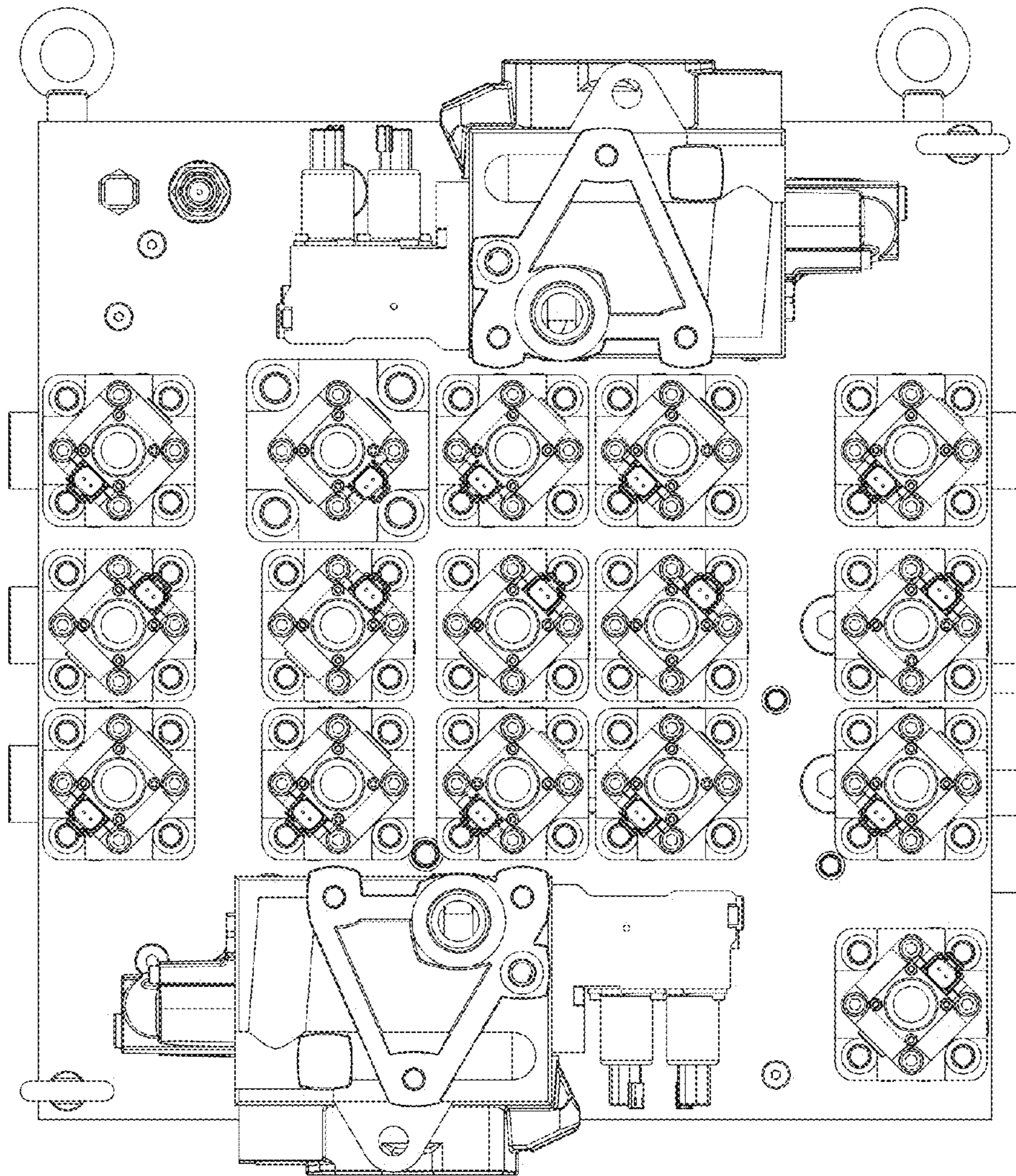


FIG. 9

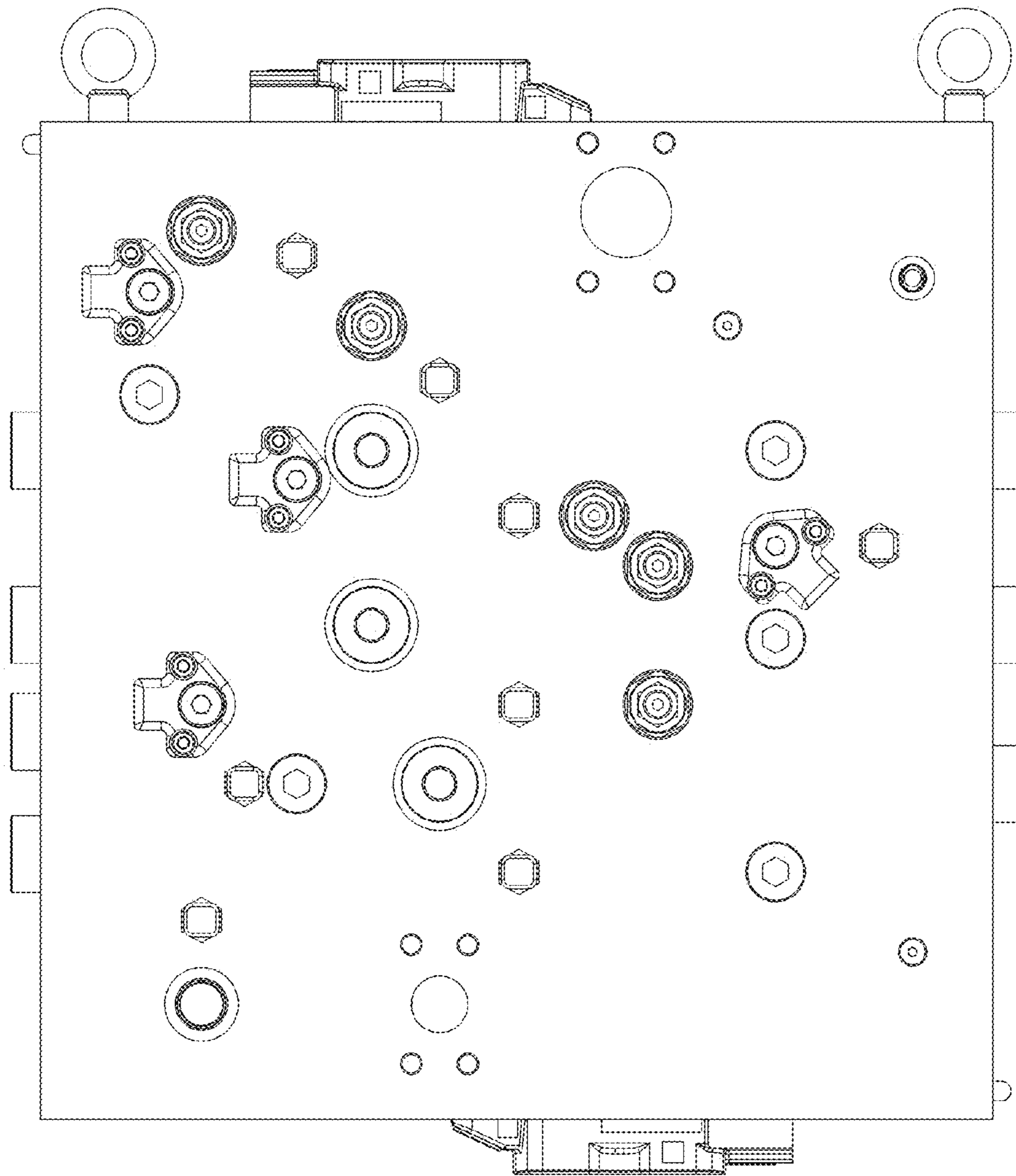


FIG. 10

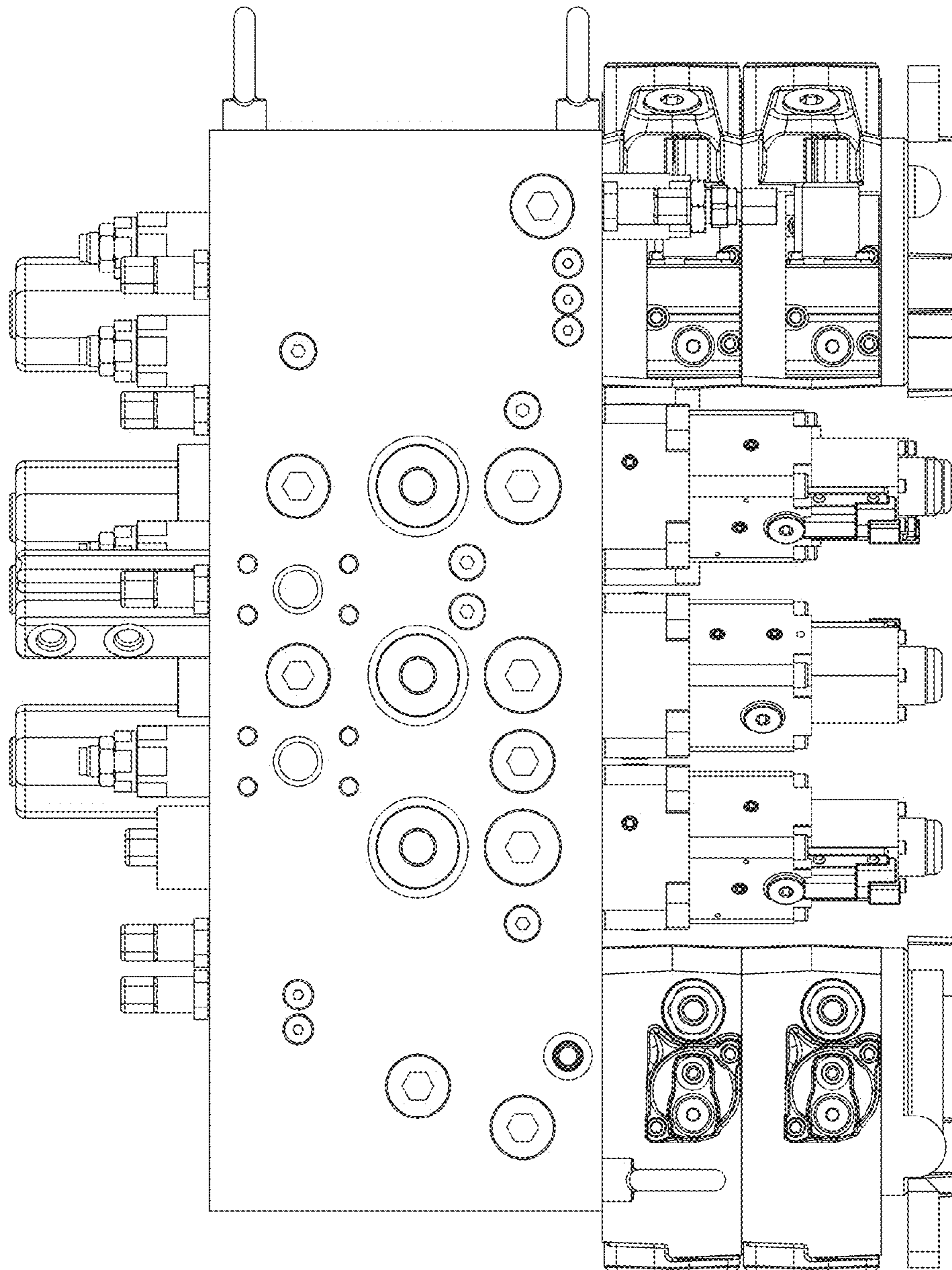


FIG. 11

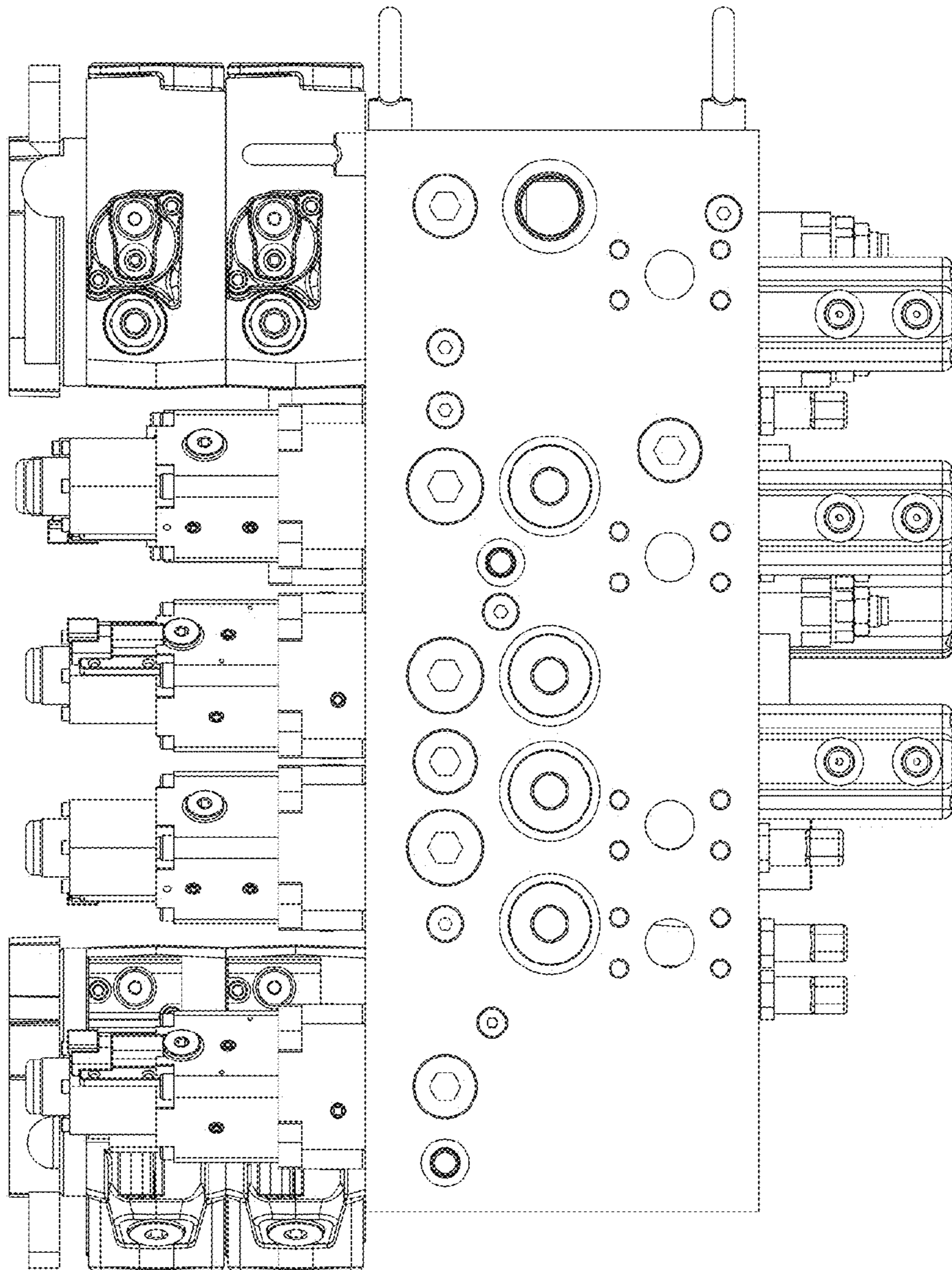


FIG. 12

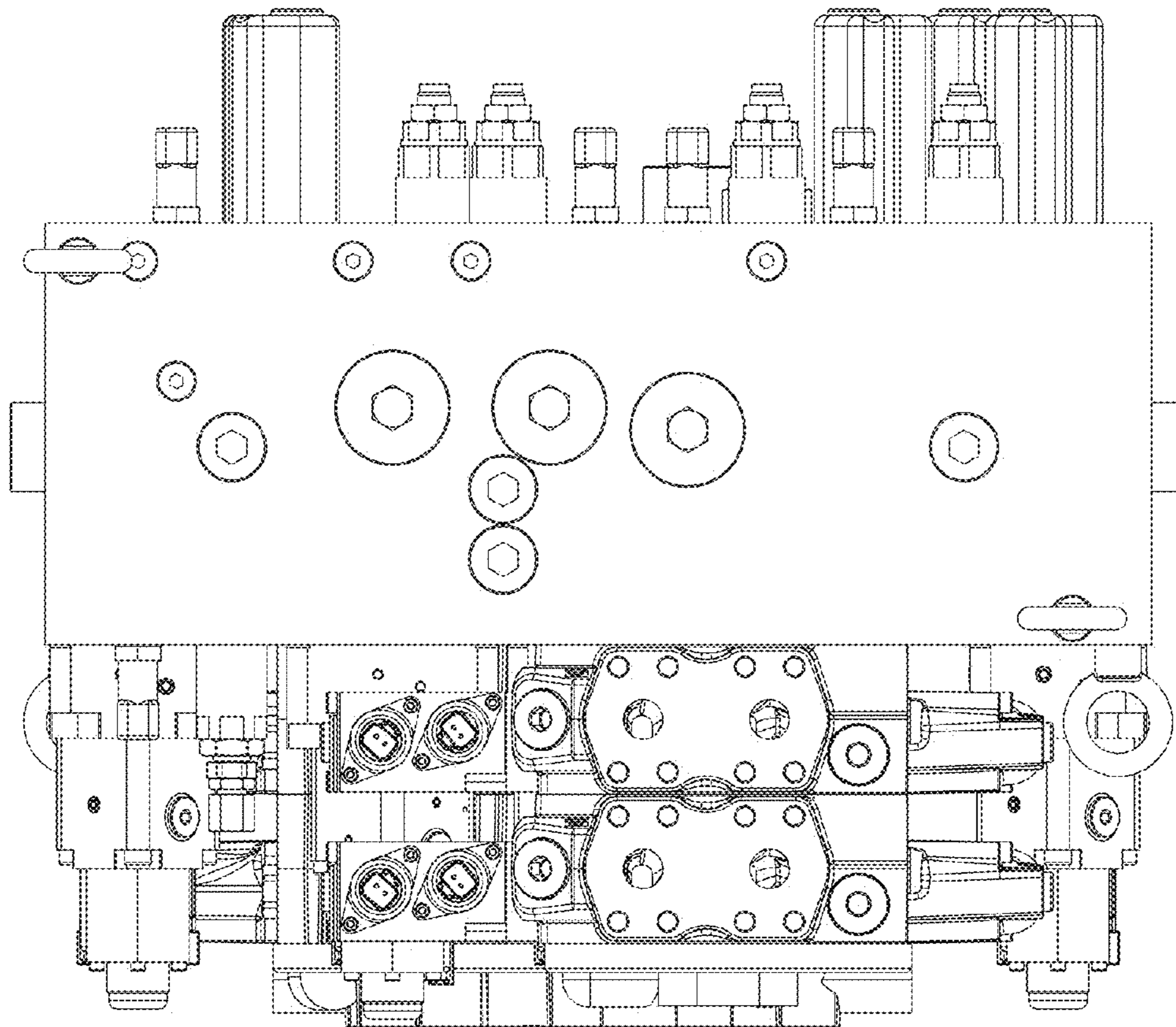


FIG. 13

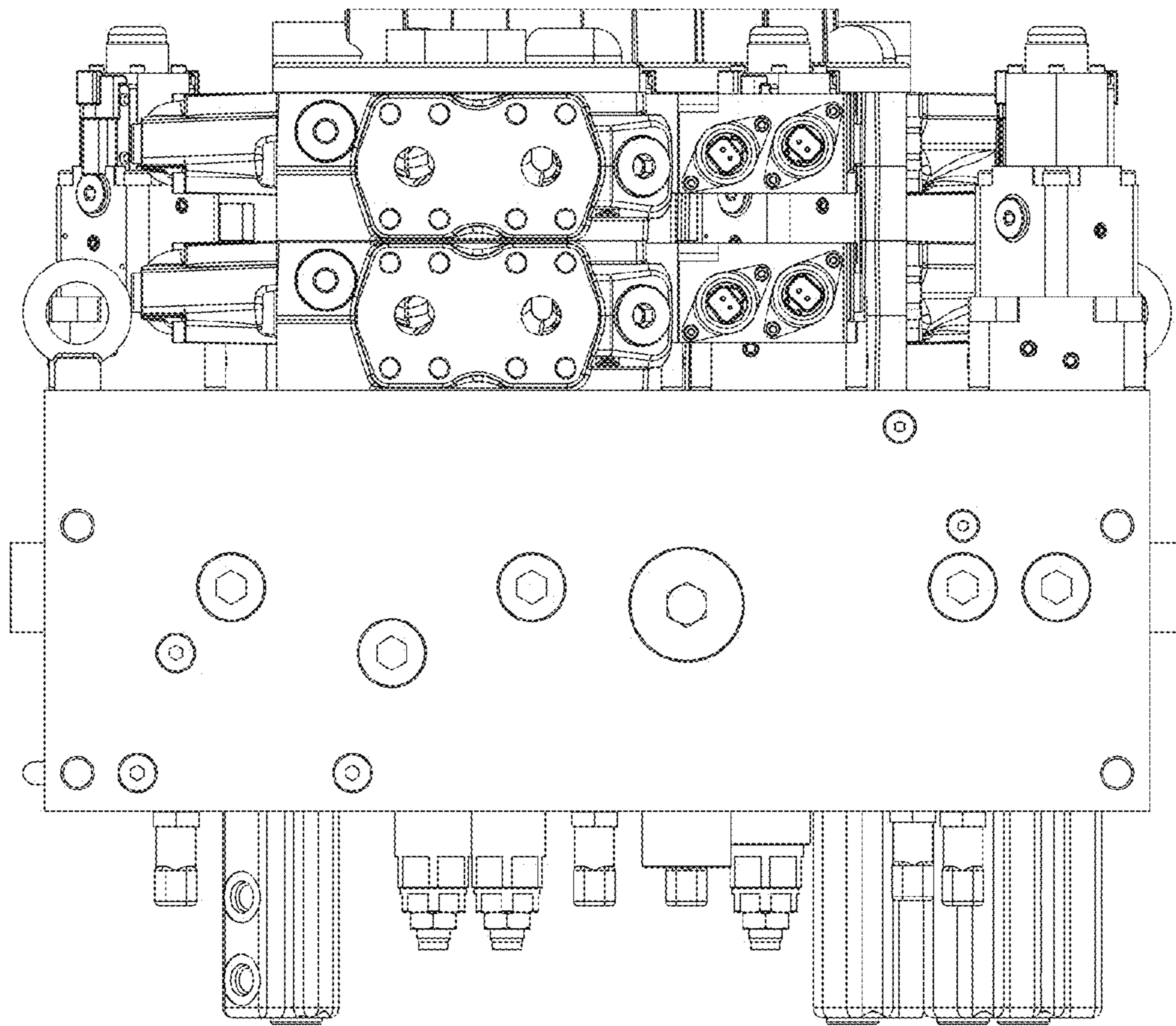


FIG. 14