



US00D745108S

(12) **United States Design Patent**
Guinn

(10) **Patent No.:** **US D745,108 S**
(45) **Date of Patent:** **** Dec. 8, 2015**

(54) **FLESHING KNIFE**

(71) Applicant: **Dale E. Guinn**, Cleveland, OK (US)

(72) Inventor: **Dale E. Guinn**, Cleveland, OK (US)

(**) Term: **14 Years**

(21) Appl. No.: **29/503,358**

(22) Filed: **Sep. 25, 2014**

(51) **LOC (10) Cl.** **22-02**

(52) **U.S. Cl.**
USPC **D22/118**

(58) **Field of Classification Search**
USPC D22/118, 149, 134, 199; D7/649-651,
D7/693; 452/101-102, 132, 137; D17/10;
69/37; 30/123.5, 155, 287, 294, 304,
30/314, 390; 294/153

See application file for complete search history.

(56) **References Cited**

U.S. PATENT DOCUMENTS

3,011,382 A * 12/1961 Ho G10D 7/023
D17/10
D262,731 S * 1/1982 Austin D22/118

D501,126 S * 1/2005 Addis D22/118
7,487,565 B1 * 2/2009 Sundling A01M 31/00
294/153
D707,789 S * 6/2014 Jones D22/118
D720,035 S * 12/2014 Mills D22/118

* cited by examiner

Primary Examiner — Catheri Oliver-Garcia

(74) *Attorney, Agent, or Firm* — Head, Johnson & Kachigian, P.C.

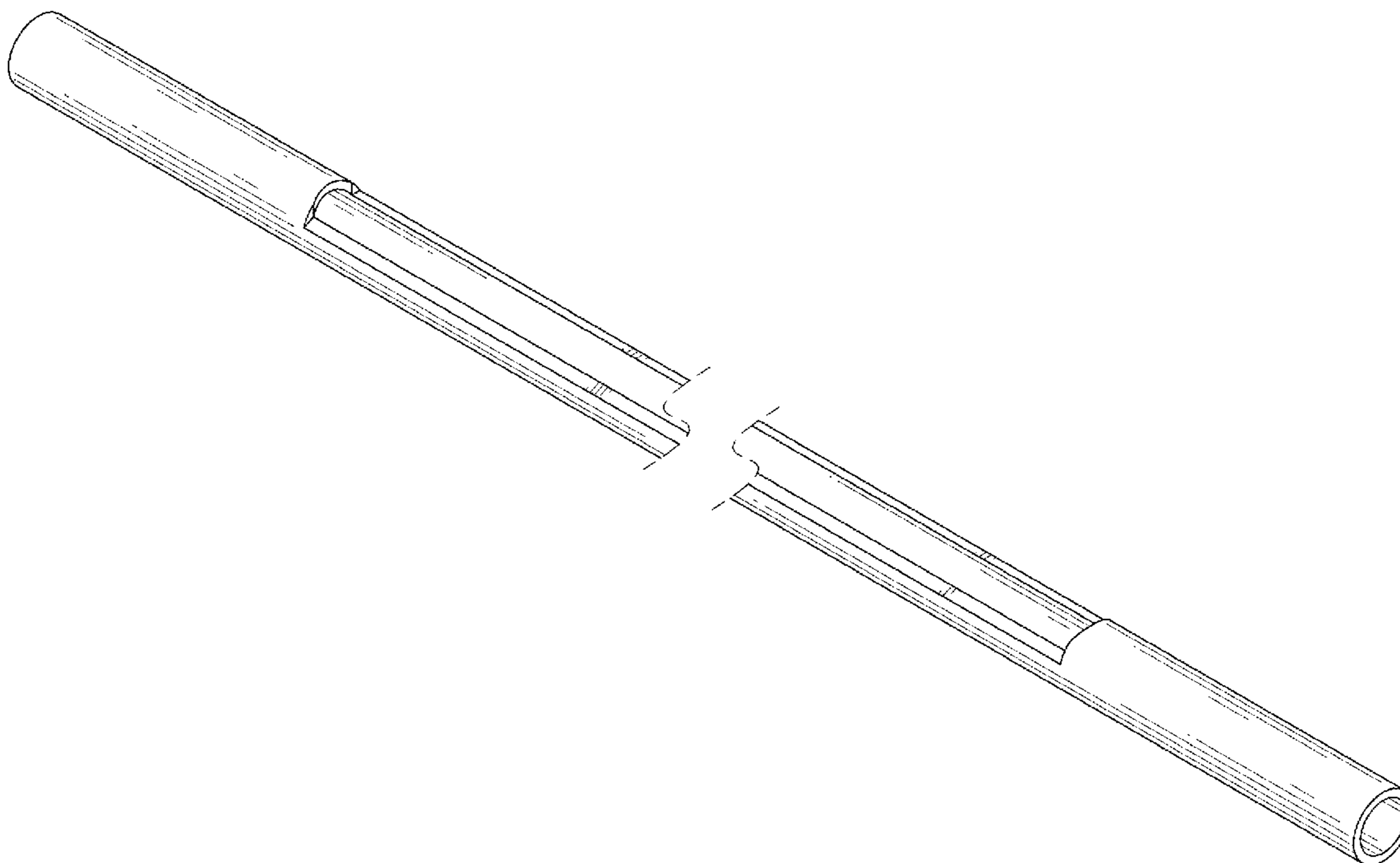
(57) **CLAIM**

The ornamental design for a fleshing knife, as shown and described.

DESCRIPTION

FIG. 1 is perspective view of a fleshing knife;
FIG. 2 is a front view thereof;
FIG. 3 is rear view thereof;
FIG. 4 is top view thereof;
FIG. 5 is bottom view thereof;
FIG. 6 is a side view thereof, where the right side and left side views are identical; and,
FIG. 7 is a cross sectional view of the design shown along line 7-7 of FIG. 2.

1 Claim, 3 Drawing Sheets



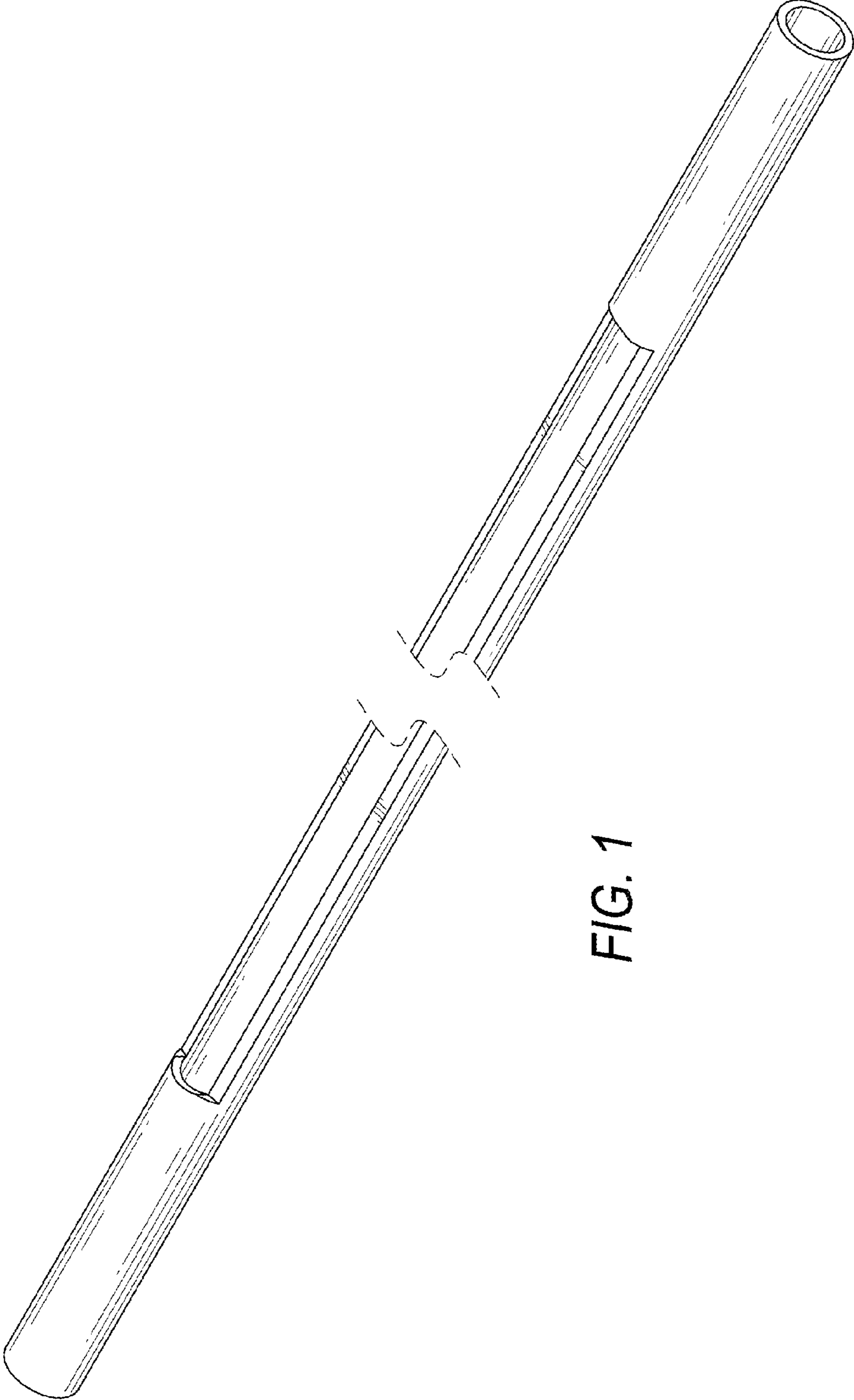
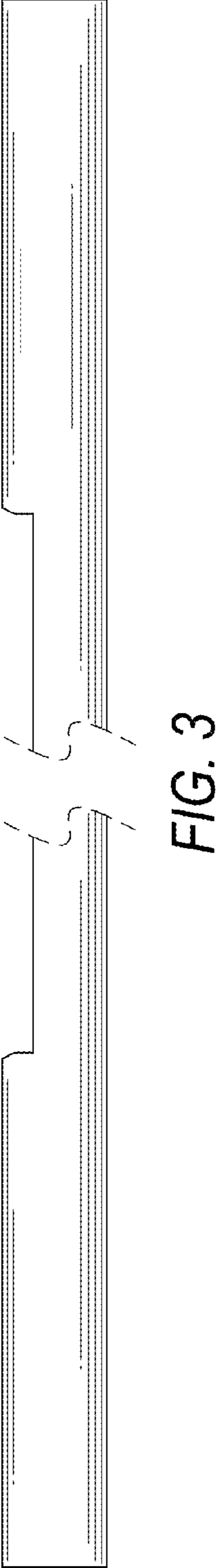
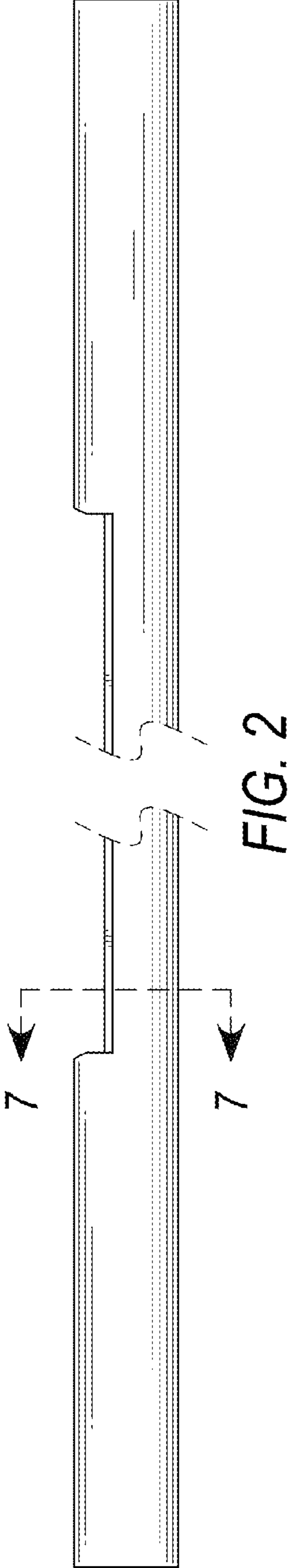


FIG. 1



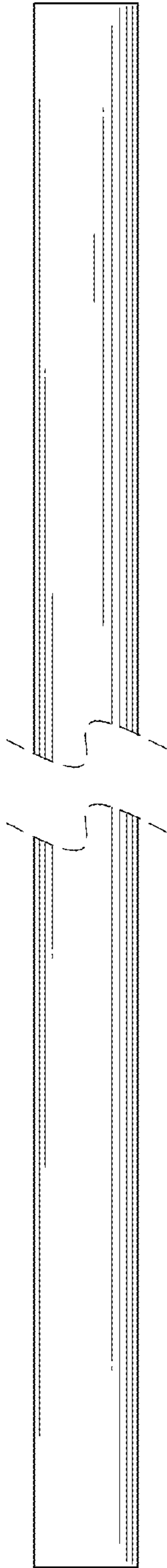


FIG. 5

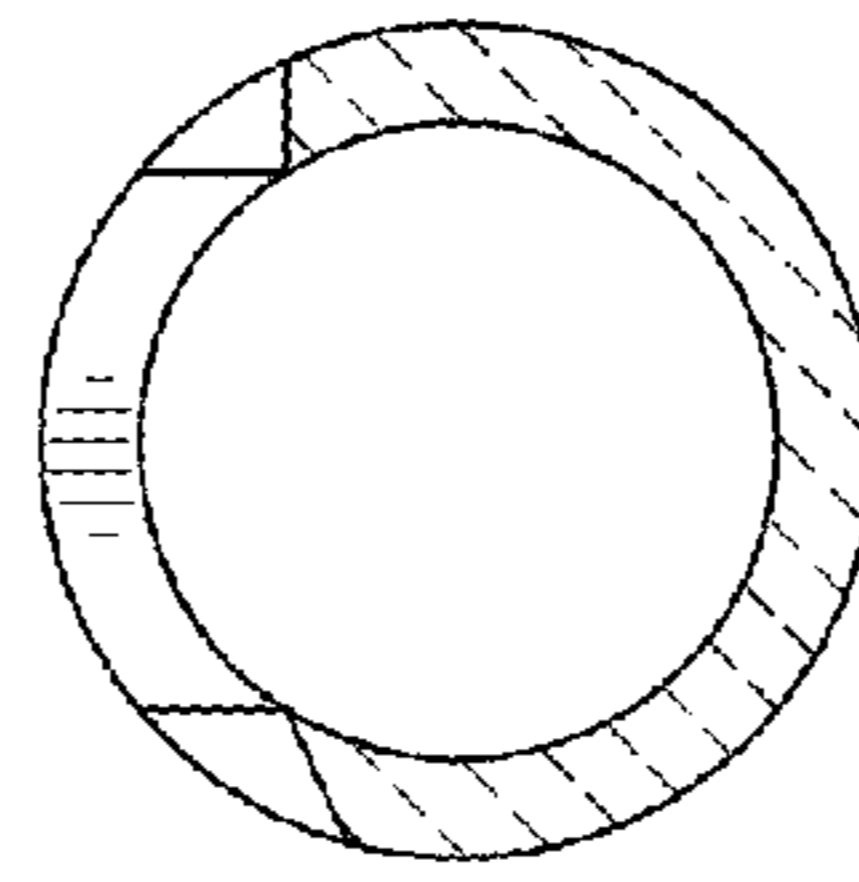


FIG. 7

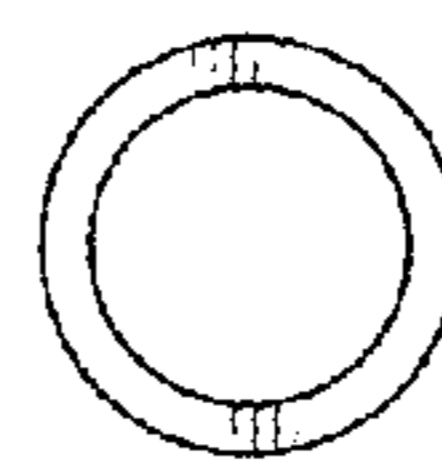


FIG. 6