



US00D745107S

(12) **United States Design Patent**
Lu

(10) **Patent No.:** **US D745,107 S**
(45) **Date of Patent:** **** Dec. 8, 2015**

(54) **KNIFE**

Primary Examiner — Catheri Oliver-Garcia

(71) Applicant: **Neptune Trading, Inc.**, Ontario, CA
(US)

(57) **CLAIM**
The ornamental design for a knife or portion thereof, as shown and described.

(72) Inventor: **Margaret Lu**, Edmond, OK (US)

DESCRIPTION

(73) Assignee: **Neptune Trading Inc.**, Ontario, CA
(US)

FIG. 1 is a perspective view of a first embodiment of a knife or portion thereof, showing the new design, lined to show the color of blue;

(**) Term: **14 Years**

FIG. 2 is a right side view thereof;

(21) Appl. No.: **29/493,169**

FIG. 3 is a left side view thereof;

(22) Filed: **Jun. 5, 2014**

FIG. 4 is rear view thereof;

(51) **LOC (10) Cl.** **22-02**

FIG. 5 is a front view thereof;

(52) **U.S. Cl.**
USPC **D22/118**

FIG. 6 is a top view thereof;

(58) **Field of Classification Search**
USPC D22/118; D7/649-651; D8/95-99;
D21/567-568; 30/155, 158-161, 340,
30/343, 346, 351-352, 355-357
See application file for complete search history.

FIG. 7 is a bottom view thereof;

FIG. 8 is a perspective view of a second embodiment identical to the first embodiment of a knife or portion thereof, but all portions that are lined to show the color of blue in the first embodiment are instead lined to show the color of green;

(56) **References Cited**

U.S. PATENT DOCUMENTS

D351,210 S *	10/1994	Koskinen	D22/118
D430,258 S *	8/2000	Hall	D22/118
D430,917 S *	9/2000	Hall	D22/118
D451,572 S *	12/2001	Barker, II	D22/118
D473,617 S *	4/2003	Rae	D22/118

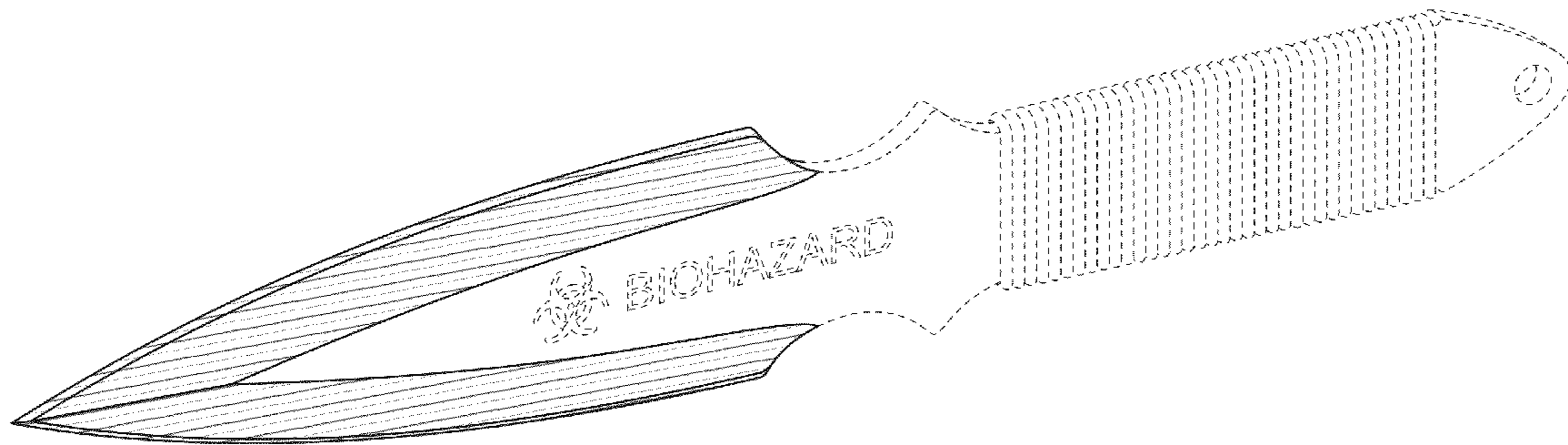
FIG. 9 is a perspective view of a second embodiment identical to the first embodiment of a knife or portion thereof, but all portions that are lined to show the color of blue in the first embodiment are instead lined to show the color of orange; and,

FIG. 10 is a perspective view of a second embodiment identical to the first embodiment of a knife or portion thereof, but all portions that are lined to show the color of blue in the first embodiment are instead lined to show the color of red.

The broken lines shown in the drawings are for illustrative purposes only and form no part of the claimed design.

* cited by examiner

1 Claim, 6 Drawing Sheets



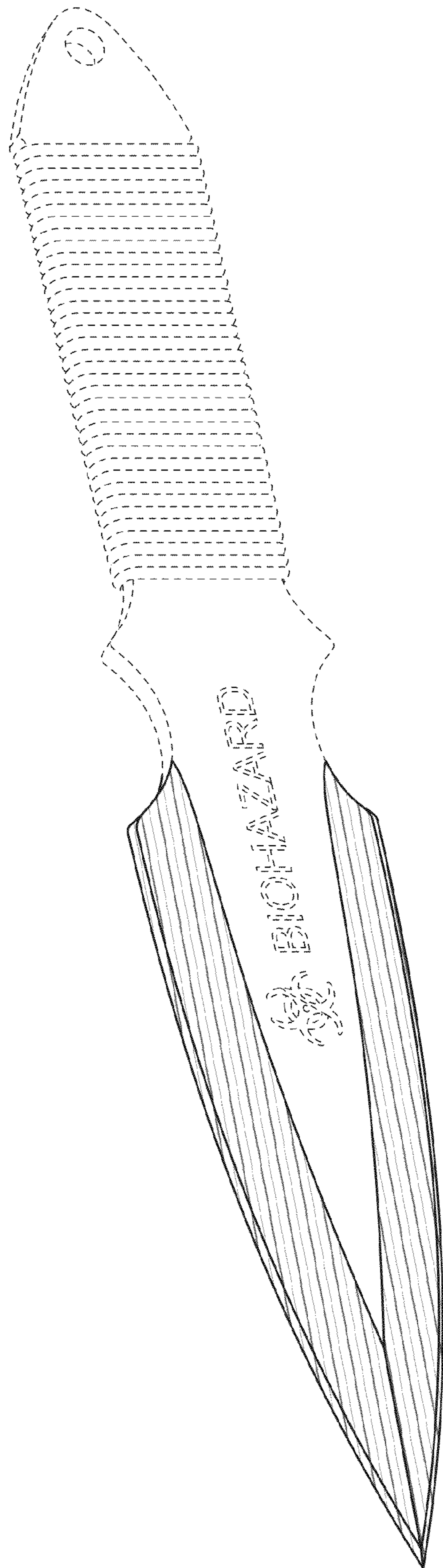


FIG. 1

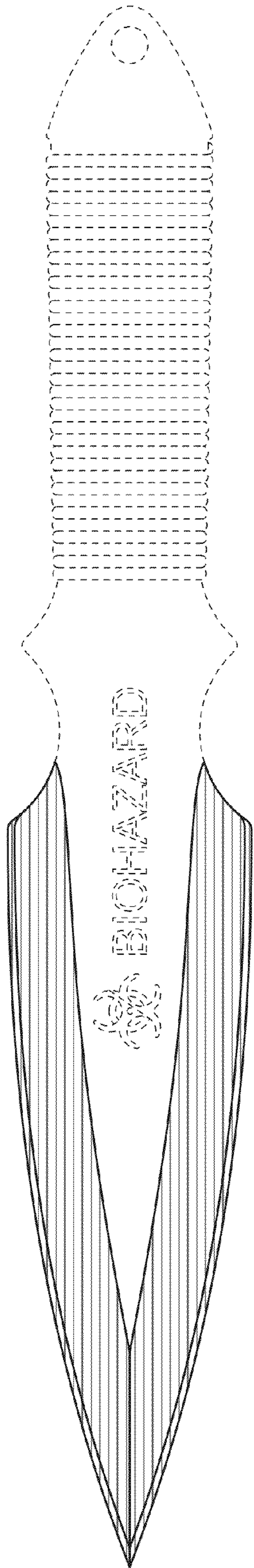


FIG. 2

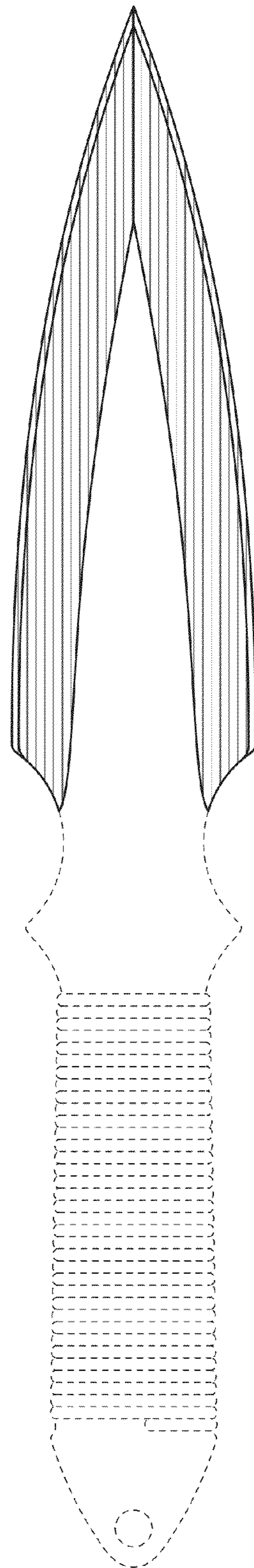


FIG. 3

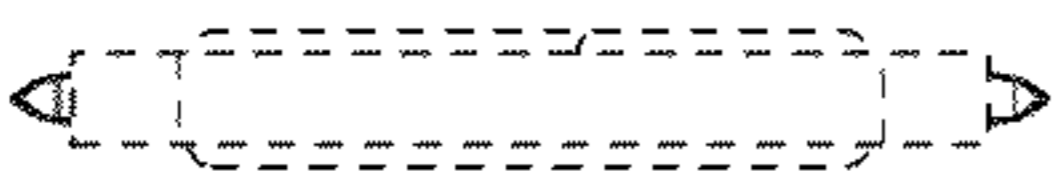


FIG. 4

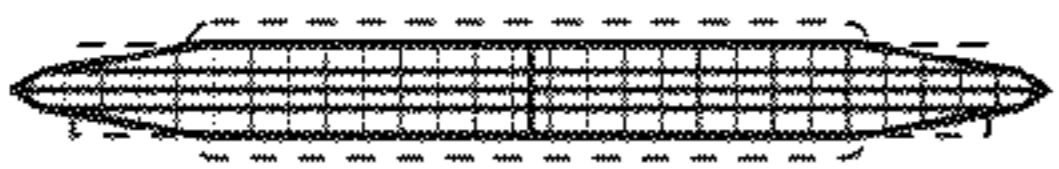


FIG. 5



FIG. 6



FIG. 7

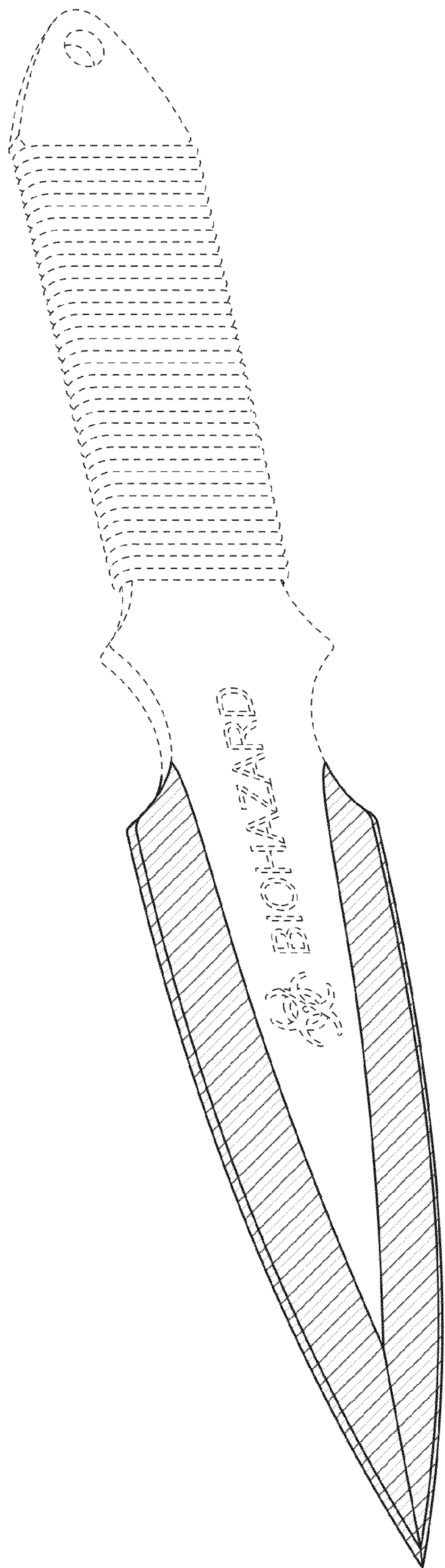


FIG. 8

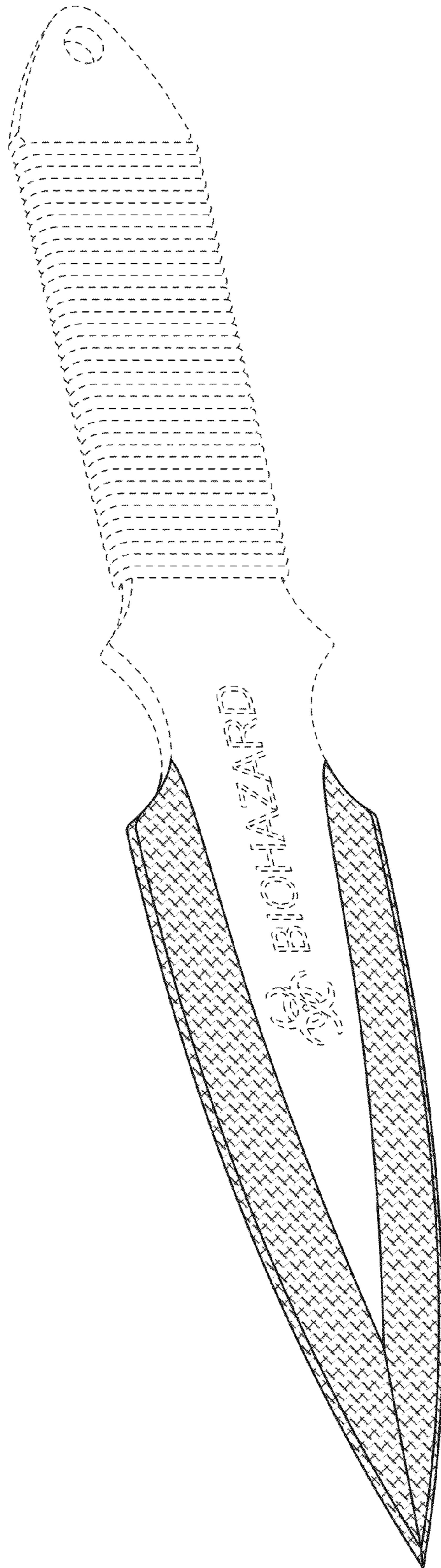


FIG. 9

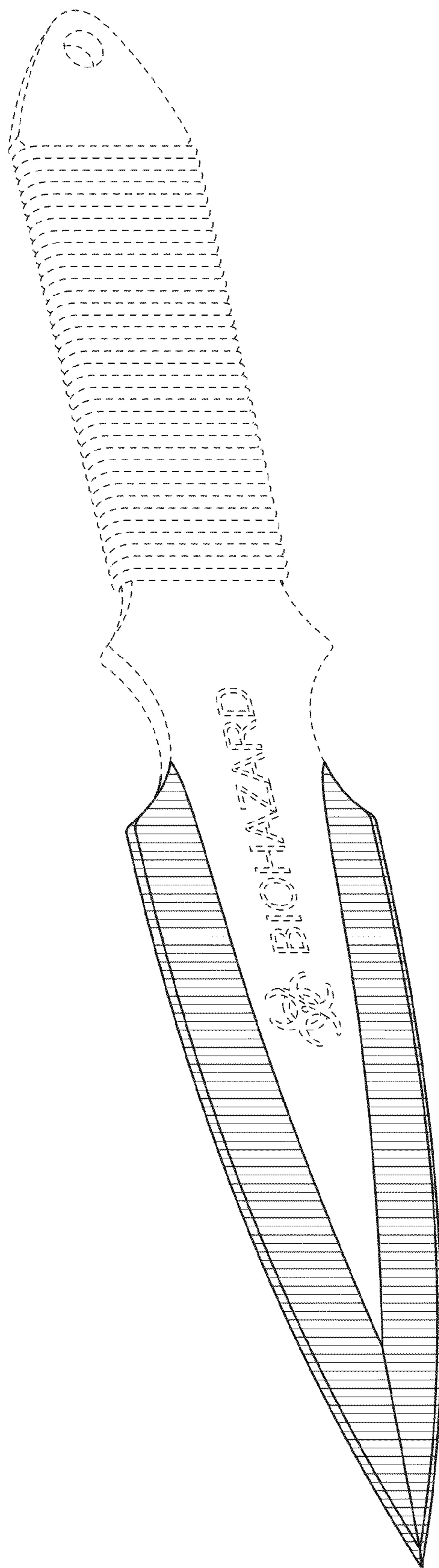


FIG. 10