



US00D745106S

(12) **United States Design Patent**
Lu

(10) **Patent No.:** **US D745,106 S**
(45) **Date of Patent:** **** Dec. 8, 2015**

(54) **KNIFE**

(71) Applicant: **Neptune Trading, Inc.**, Ontario, CA
(US)

(72) Inventor: **Margaret Lu**, Edmond, OK (US)

(73) Assignee: **Neptune Trading Inc.**, Ontario, CA
(US)

(**) Term: **14 Years**

(21) Appl. No.: **29/493,127**

(22) Filed: **Jun. 5, 2014**

(51) **LOC (10) Cl.** **22-02**

(52) **U.S. Cl.**
USPC **D22/118**

(58) **Field of Classification Search**
USPC D22/118; D8/95-99; D7/649-651;
D21/567-568; 30/295, 340-343, 155,
30/158-161, 346, 351-352, 355-357
See application file for complete search history.

(56) **References Cited**

U.S. PATENT DOCUMENTS

- D85,503 S * 11/1931 Xardell 30/295
- D359,789 S * 6/1995 Seber D22/118
- 5,528,834 A * 6/1996 Seber B26B 3/06
30/340
- D375,134 S * 10/1996 Thompson D22/118

- D488,205 S * 4/2004 Skowronski D22/118
- D699,808 S * 2/2014 Nordwall D22/118
- D716,411 S * 10/2014 Ameis D22/118

* cited by examiner

Primary Examiner — Catheri Oliver-Garcia

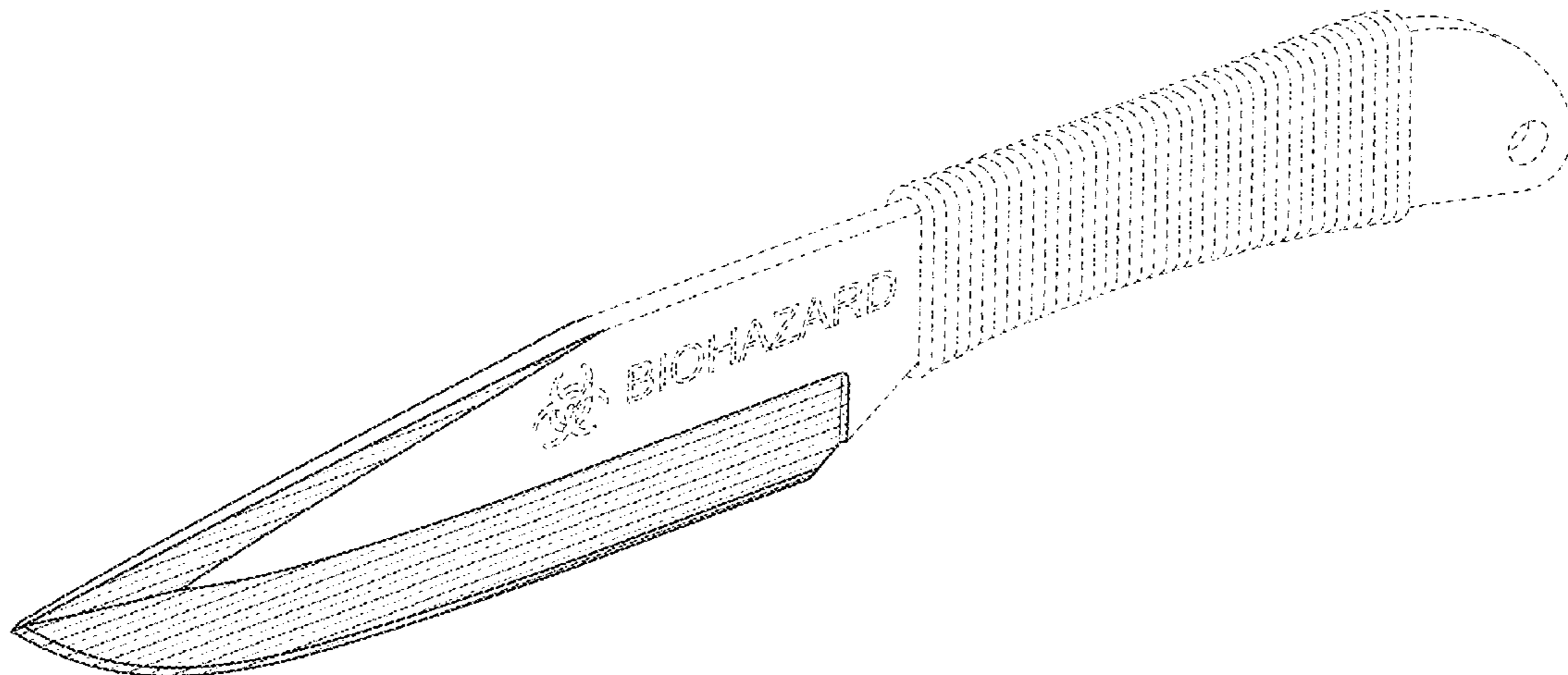
(57) **CLAIM**

The ornamental design for a knife, as shown and described.

DESCRIPTION

FIG. 1 is a perspective view of a first embodiment of a knife, showing the new design, lined to show the color of blue;
 FIG. 2 is a right side view thereof;
 FIG. 3 is a left side view thereof;
 FIG. 4 is rear view thereof;
 FIG. 5 is a front view thereof;
 FIG. 6 is a top view thereof;
 FIG. 7 is a bottom view thereof;
 FIG. 8 is a perspective view of a second embodiment identical to the first embodiment of a knife, but all portions that are lined to show the color of blue in the first embodiment are instead lined to show the color of green;
 FIG. 9 is a perspective view of a second embodiment identical to the first embodiment of a knife, but all portions that are lined to show the color of blue in the first embodiment are instead lined to show the color of orange; and,
 FIG. 10 is a perspective view of a second embodiment identical to the first embodiment of a knife, but all portions that are lined to show the color of blue in the first embodiment are instead lined to show the color of red.
 The broken lines shown in the drawings are for illustrative purposes only and form no part of the claimed design.

1 Claim, 6 Drawing Sheets



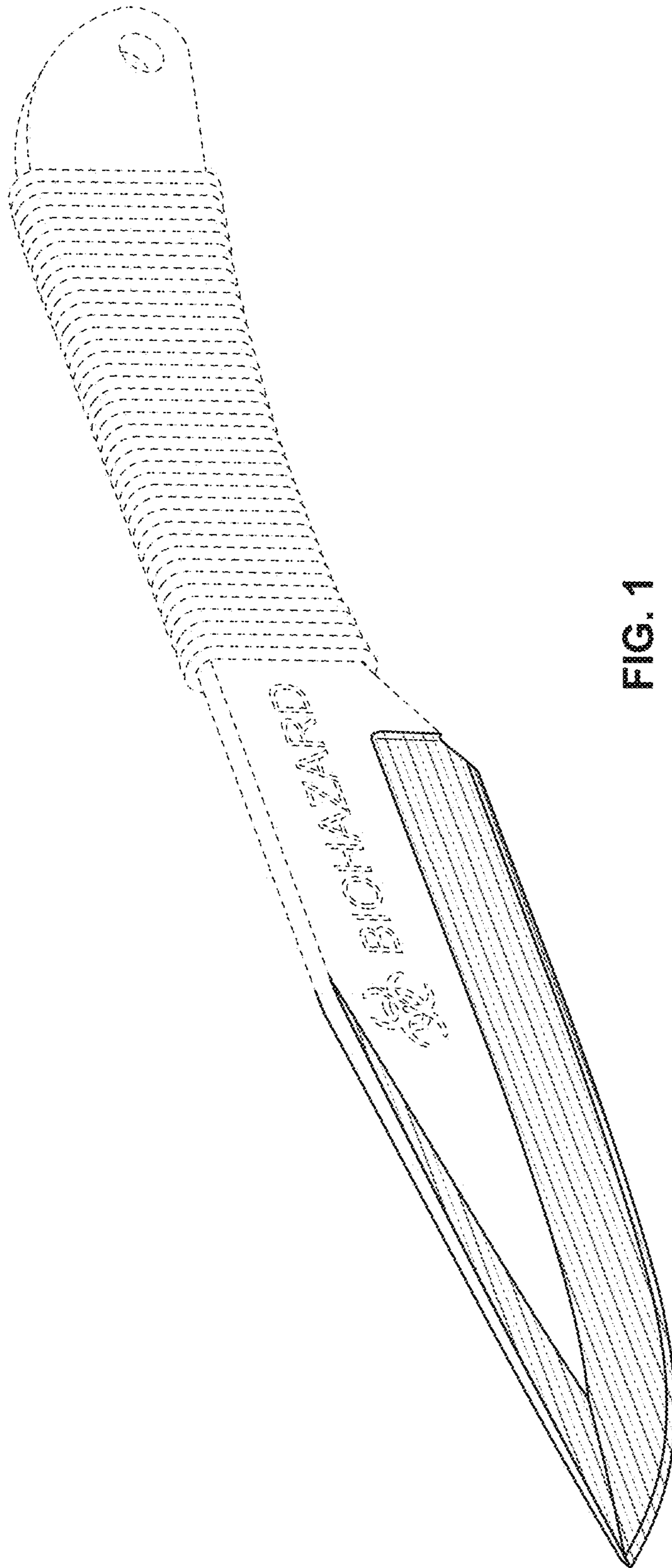


FIG. 1

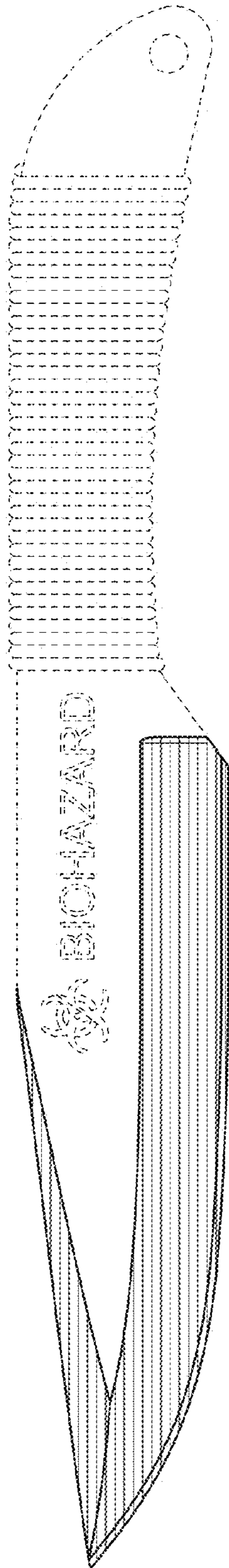


FIG. 2

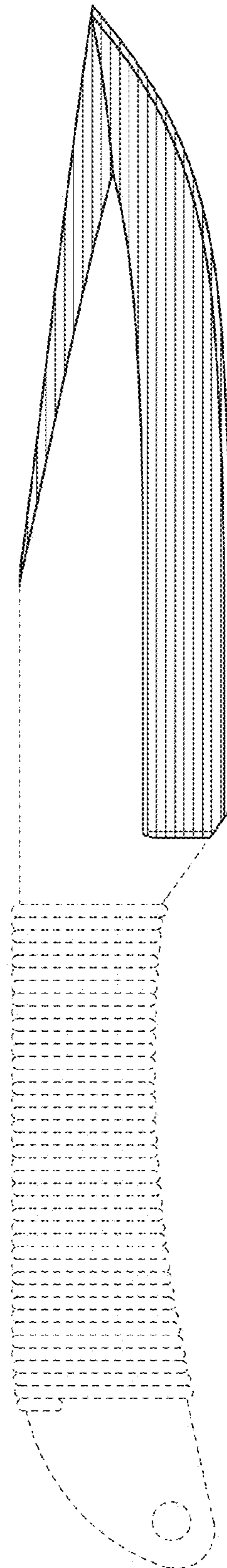


FIG. 3

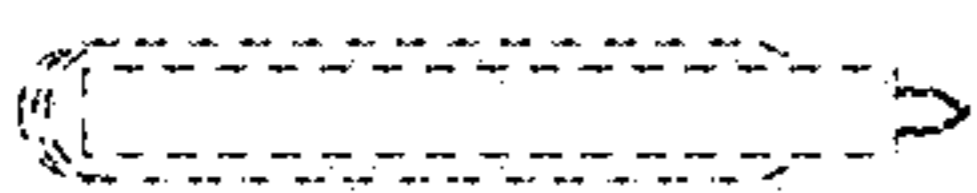


FIG. 4

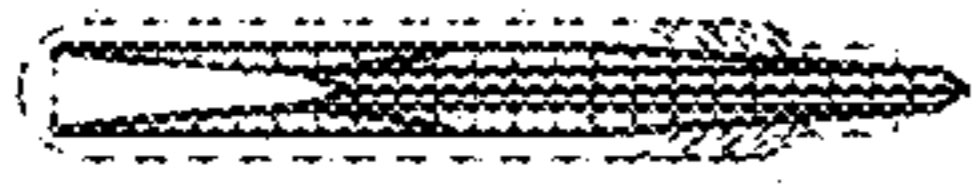


FIG. 5

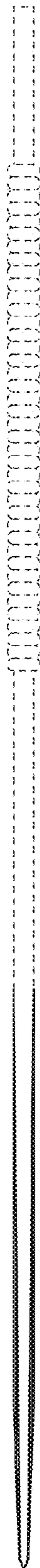


FIG. 6

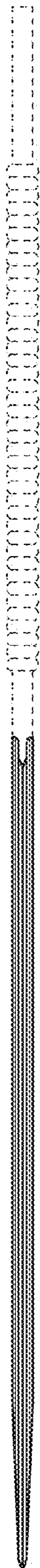


FIG. 7

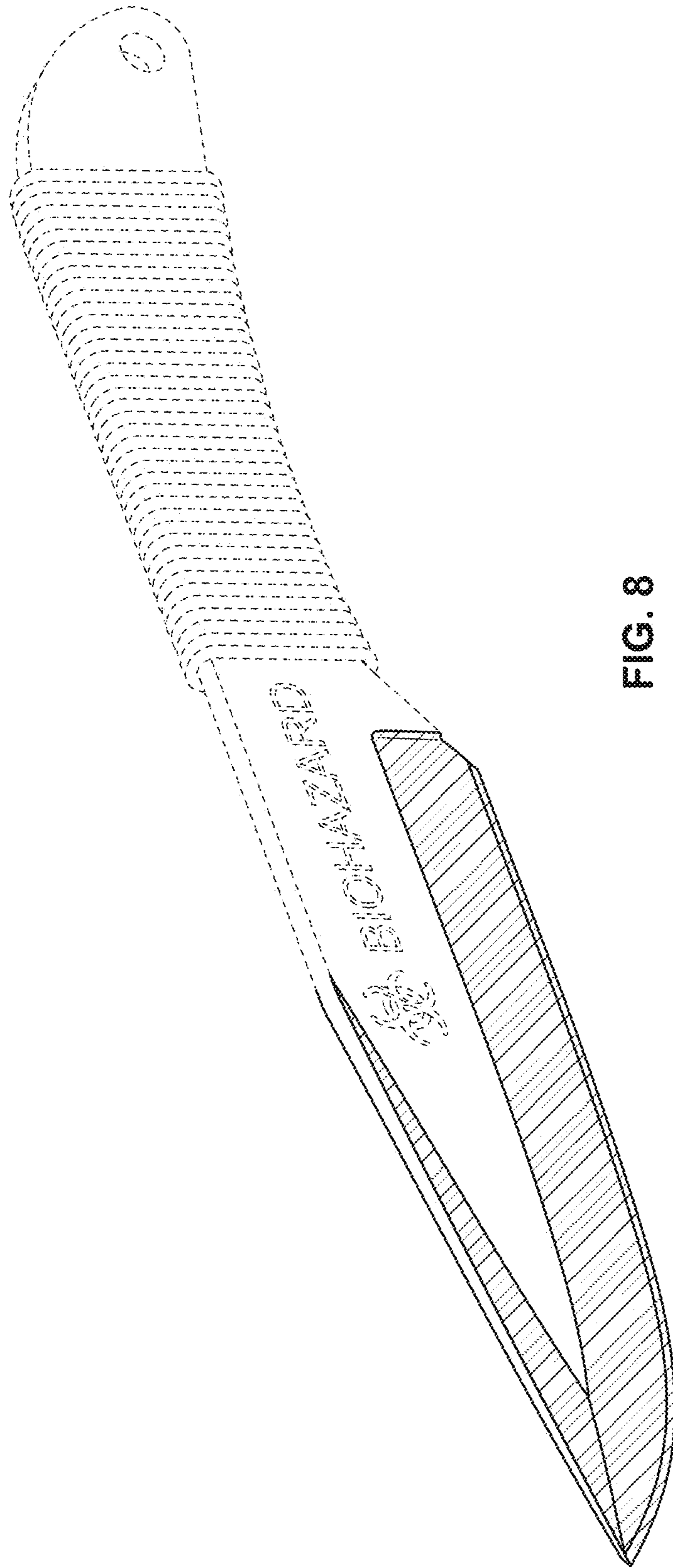


FIG. 8

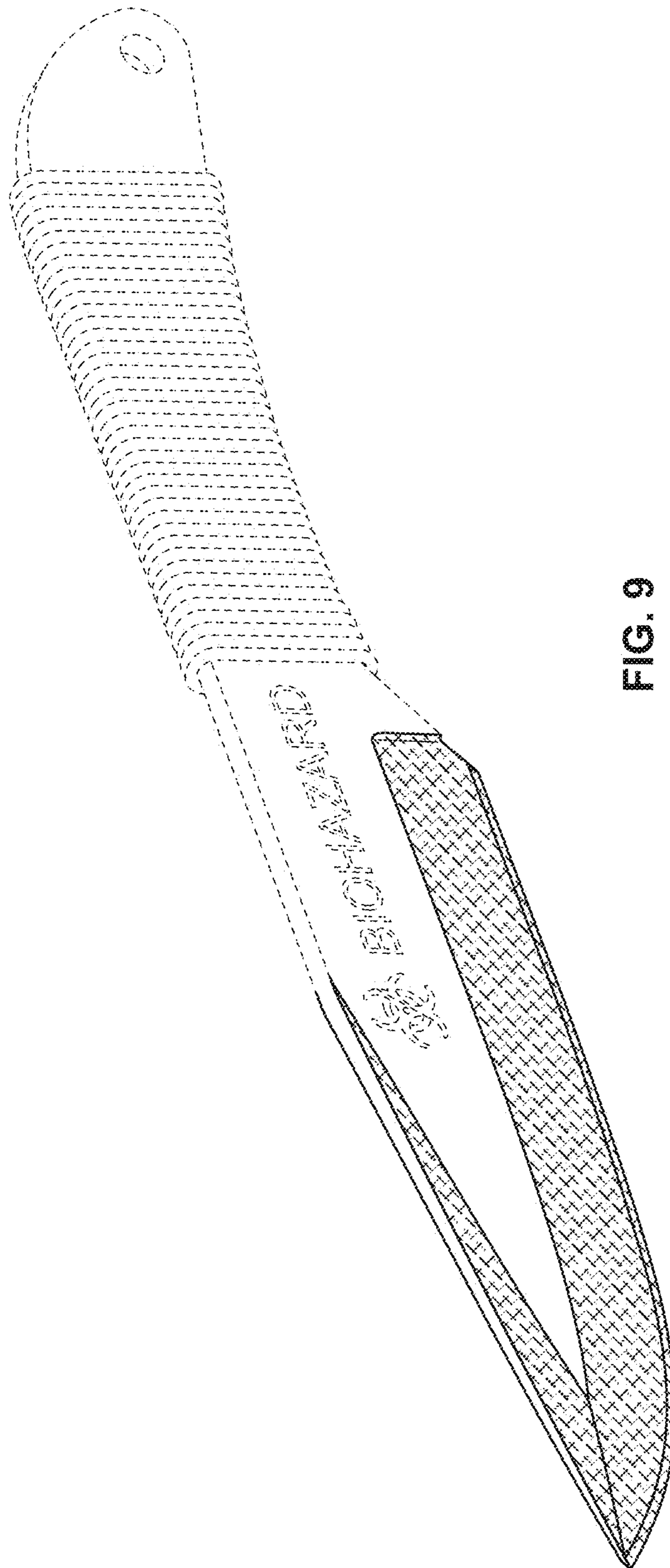


FIG. 9

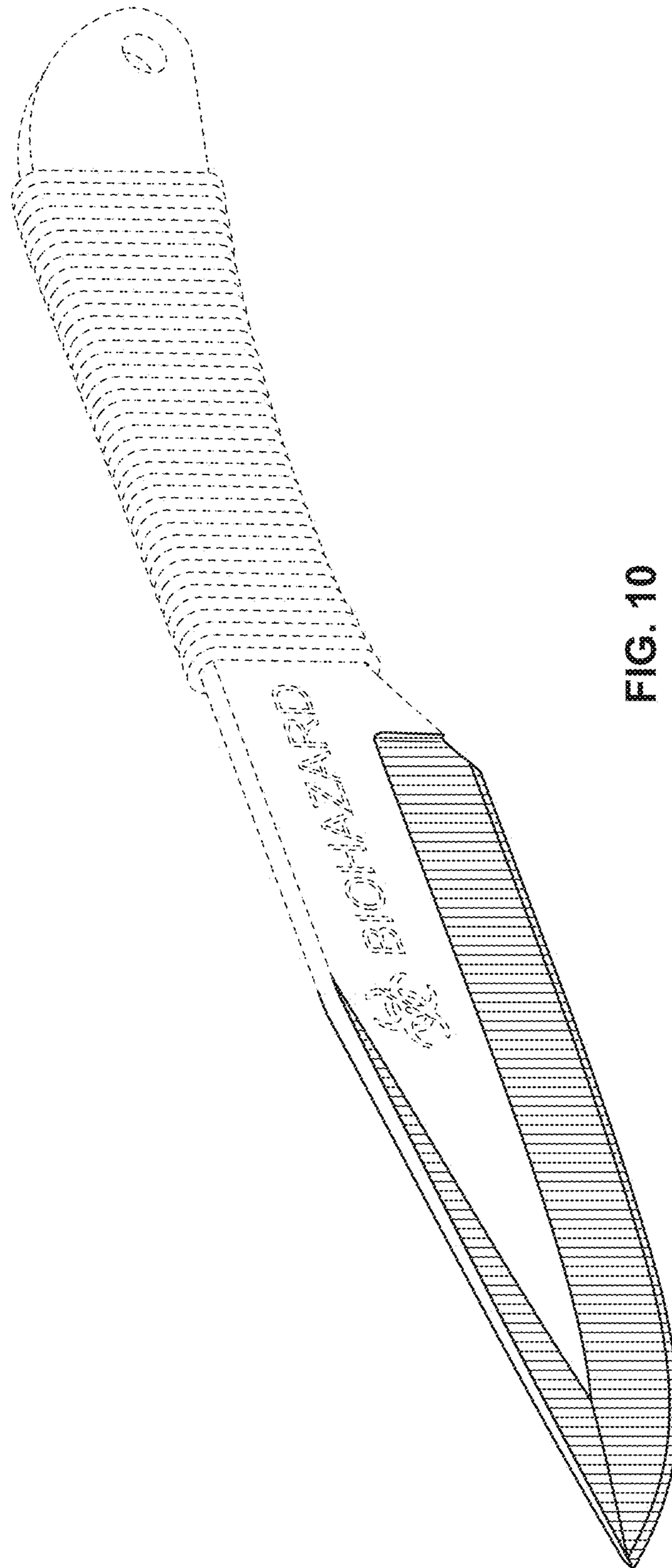


FIG. 10