



US00D745104S

(12) **United States Design Patent**
Eitan et al.

(10) **Patent No.:** **US D745,104 S**
(45) **Date of Patent:** **** Dec. 8, 2015**

(54) **LIGHT MOUNT BLOCK FOR A FIREARM**

(71) Applicant: **Magpul Industries Corporation**, Erie, CO (US)
(72) Inventors: **Yehezkel Eitan**, Johnstown, CO (US); **Brad Bennett**, Lafayette, CO (US); **Michael T. Mayberry**, Denver, CO (US); **Richard Fitzpatrick**, Longmont, CO (US); **Duane Liptak**, Erie, CO (US); **Jeremy Fiester**, Lafayette, CO (US); **Grady Barfoot**, Denver, CO (US)

(73) Assignee: **Magpul Industries Corporation**, Louisville, CO (US)

(**) Term: **14 Years**

(21) Appl. No.: **29/474,769**

(22) Filed: **Aug. 8, 2014**

Related U.S. Application Data

(63) Continuation of application No. 29/452,373, filed on Apr. 16, 2013, now Pat. No. Des. 710,965.

(51) **LOC (10) Cl.** **22-01**

(52) **U.S. Cl.**
USPC **D22/108**

(58) **Field of Classification Search**
USPC D22/108-109; D26/37, 46, 47, 48, 49
CPC F41G 1/32; F41G 1/34; F41G 1/345; F41G 1/35
See application file for complete search history.

(56) **References Cited**

U.S. PATENT DOCUMENTS

2,236,736 A 4/1941 Scott
2,239,798 A 4/1941 Tinnerman

(Continued)

OTHER PUBLICATIONS

Larue_Tactical_2012_Offset_Flashlight_Mount_LT606
Laruetactical.com (Mar. 21, 2012) LaRue Tactical Offset Flashlight Mount LT606; Website [Online] Available Website: <http://www.laruetactical.com/larue-tactical-offset-flashlight-mount-it-606>; Last Update: Nov. 16, 2013; Accessed on: Oct. 8, 2014.

(Continued)

Primary Examiner — Michael A Pratt
(74) *Attorney, Agent, or Firm* — Swanson & Bratschun, L.L.C.

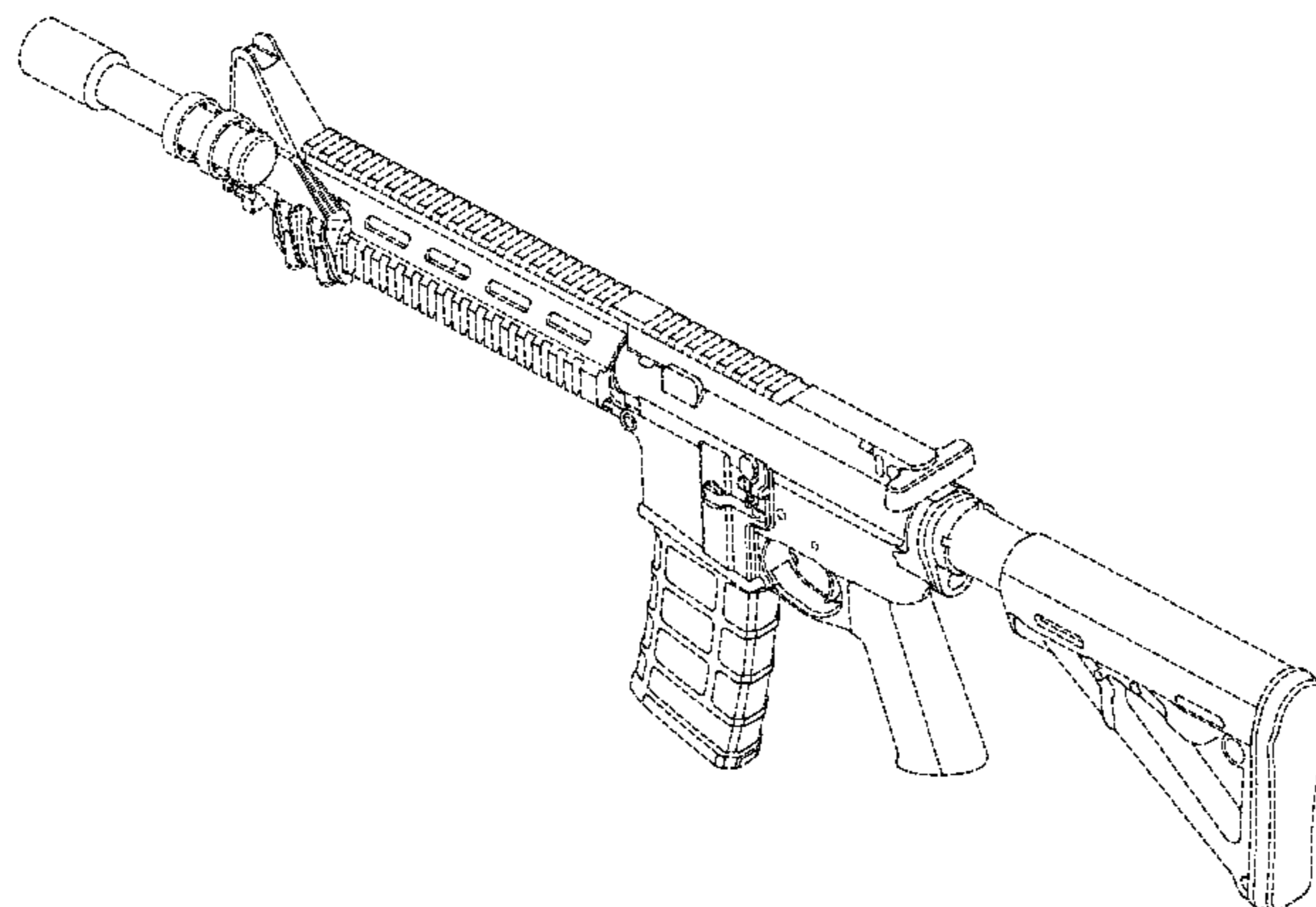
(57) **CLAIM**

The ornamental design for a light mount block for a firearm, as shown and described.

DESCRIPTION

FIG. 1 is a left, rear, top perspective view of a light mount block for a firearm attached to a firearm showing my new design;
FIG. 2 is a left, rear, top perspective view of the light mount block for a firearm of FIG. 1 with the firearm omitted;
FIG. 3 is a front elevation view of the light mount block for a firearm of FIG. 1;
FIG. 4 is a rear elevation view of the light mount block for a firearm of FIG. 1;
FIG. 5 is a left side elevation view of the light mount block for a firearm of FIG. 1;
FIG. 6 is a right side elevation view of the light mount block for a firearm of FIG. 1;
FIG. 7 is a top plan view of the light mount block for a firearm of FIG. 1;
FIG. 8 is a bottom plan view of the light mount block for a firearm of FIG. 1;
FIG. 9 is a left, front top view of the light mount block for a firearm of FIG. 1; and,
FIG. 10 is a right, front, bottom view of the light mount block for a firearm of FIG. 1.
The broken lines showing portions of the design in all figures are included for the purpose of illustrating environment and unclaimed features and forms not part of the claimed design.

1 Claim, 8 Drawing Sheets



(56)

References Cited

U.S. PATENT DOCUMENTS

2,314,061 A 3/1943 Whaley
5,628,555 A * 5/1997 Sharrah F41G 1/34
362/114
7,134,234 B1 11/2006 Makarounis
8,132,355 B1 3/2012 Kincaid
D673,638 S 1/2013 Mayberry
D680,613 S 4/2013 Fitzpatrick
D681,151 S 4/2013 Fitzpatrick
D710,965 S 8/2014 Eitan et al.
2006/0026888 A1 2/2006 Cheng
2007/0240355 A1 10/2007 Hsu
2010/0122485 A1 5/2010 Kincel
2010/0164401 A1 7/2010 Matthews
2011/0047850 A1 3/2011 Rievley
2011/0067287 A1 3/2011 Collin
2012/0055062 A1 * 3/2012 Mironichev F41C 23/02
42/85
2012/0057360 A1 * 3/2012 Swan F21V 21/0885
362/389
2012/0181406 A1 * 7/2012 Gonzalez F41G 11/003
248/316.2

OTHER PUBLICATIONS

ImpactWeaponsComponent_com_2012_Light_Mount
ImpactWeaponsComponent.com (2012) Light Mount; Website
[Online] Available Web site: <http://www.impactweaponscomponents.com/category/mount-n-slot/light-mount/>; Last Update: Unknown; Accessed on: Jan. 4, 2012.

Surefire_com_2012_Dedicated_Forend_WaponLights Surefire.com (2012) Rifle, SMG Forend Weapon Lights; Website [Online] Available Web Site: <http://www.surefire.com/DedicatedForendWeaponLights>; Last Update: Unknown; Accessed on: Jan. 4, 2012.
Design U.S. Appl. No. 29/410,910, filed Jan. 13, 2012, "PMAG 30M3 Firearm Magazine" by Fitzpatrick Issued.
Design U.S. Appl. No. 29/420,155, filed May 4, 2012, "Translucent Magazine for a Firearm" by Fitzpatrick.
Design U.S. Appl. No. 29/423,116, filed May 29, 2012, "M3 10 Magazine" by Bennett Issued.
Design U.S. Appl. No. 29/423,117, filed May 29, 2012, "M3 20 Magazine" by Bennett.
Design U.S. Appl. No. 29/440,787, filed Dec. 27, 2012, "Firearm Magazine" by Mayberry.
Design U.S. Appl. No. 29/440,889, filed Dec. 28, 2012, "Firearm Magazine" by Kielsmeier.
Design U.S. Appl. No. 29/440,792, filed Dec. 27, 2012, "Firearm Magazine with Window" by Kielsmeier.
Design U.S. Appl. No. 29/450,963, filed Mar. 26, 2013, "Magazine for a Firearm" by Nakayama.
Design U.S. Appl. No. 29/450,964, filed Mar. 26, 2013, "Magazine for a Firearm" by Nakayama.
Design U.S. Appl. No. 29/398,471, "Light Mount for a Firearm" filed Aug. 1, 2011, (Issued).
Design U.S. Appl. No. 29/452,373, "Light Mount for a Firearm" filed Apr. 16, 2013, (Issued).

* cited by examiner

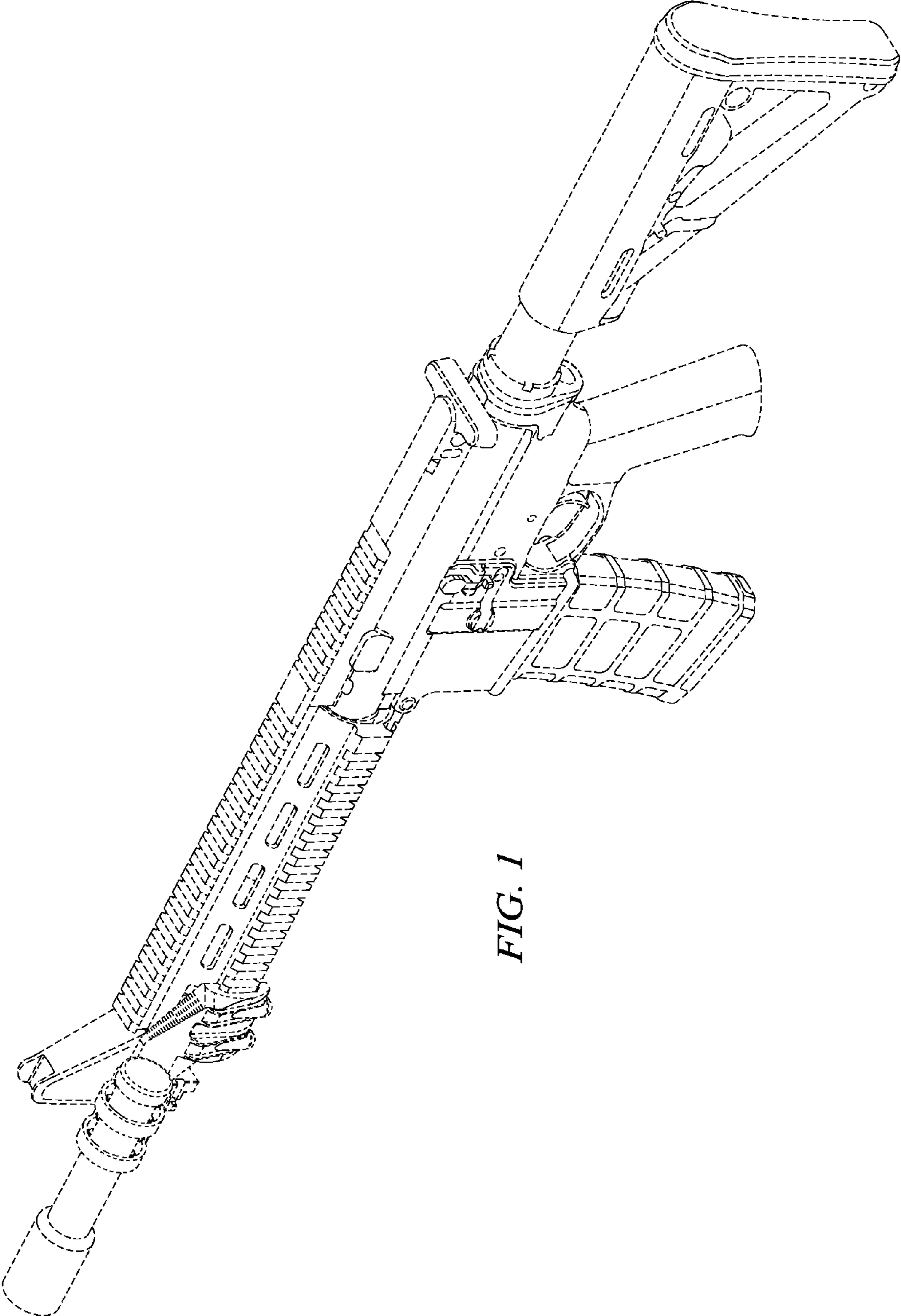
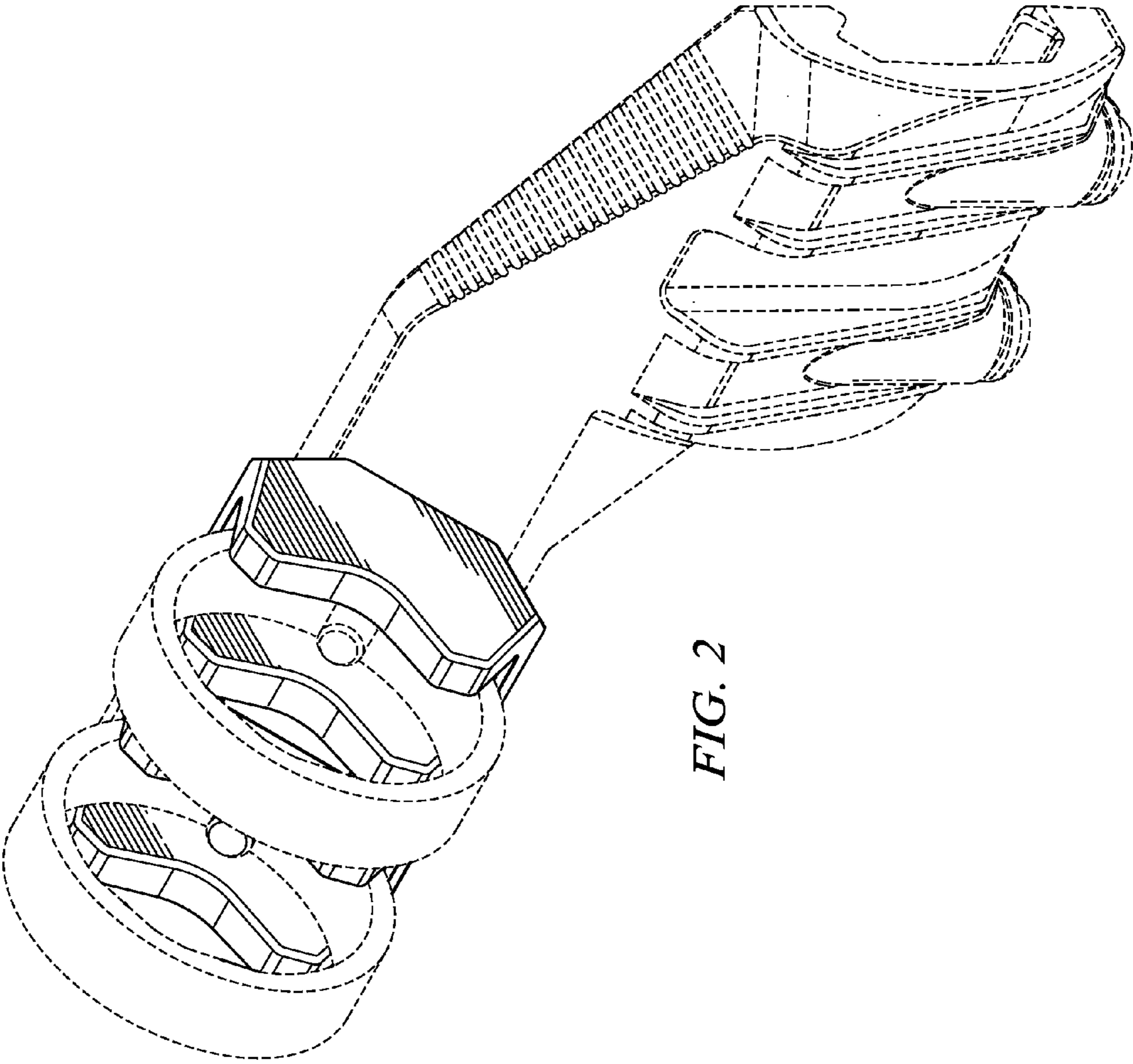
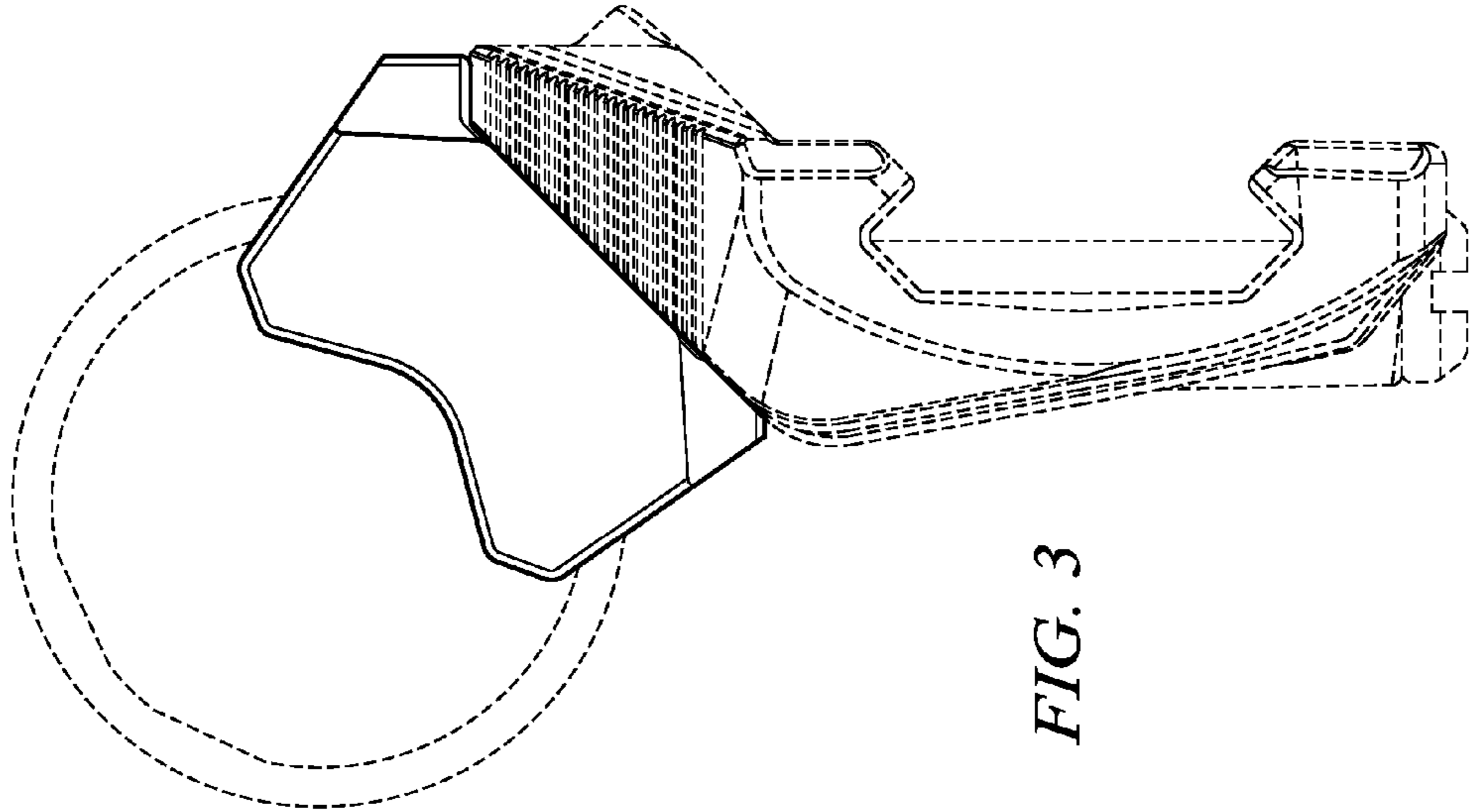
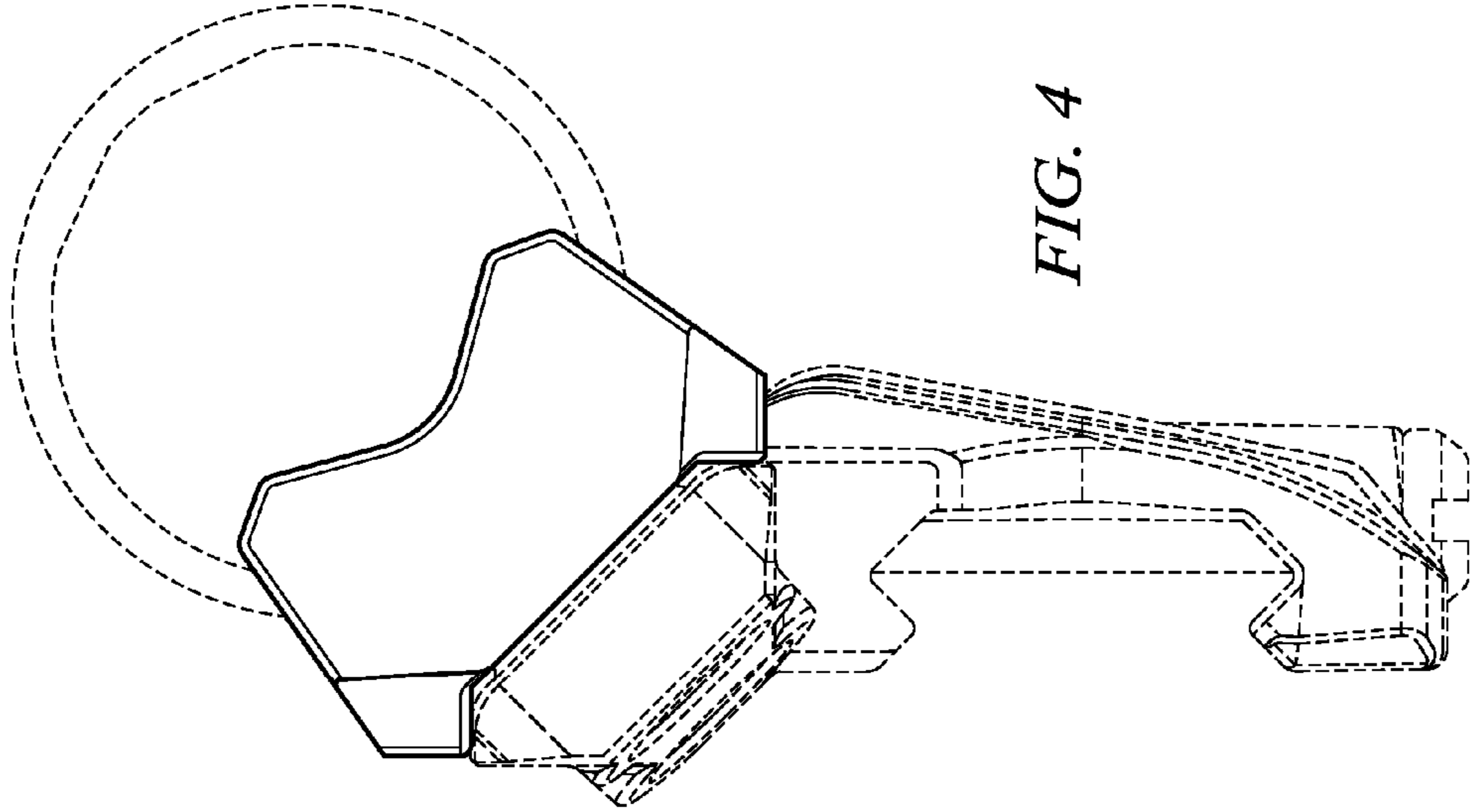
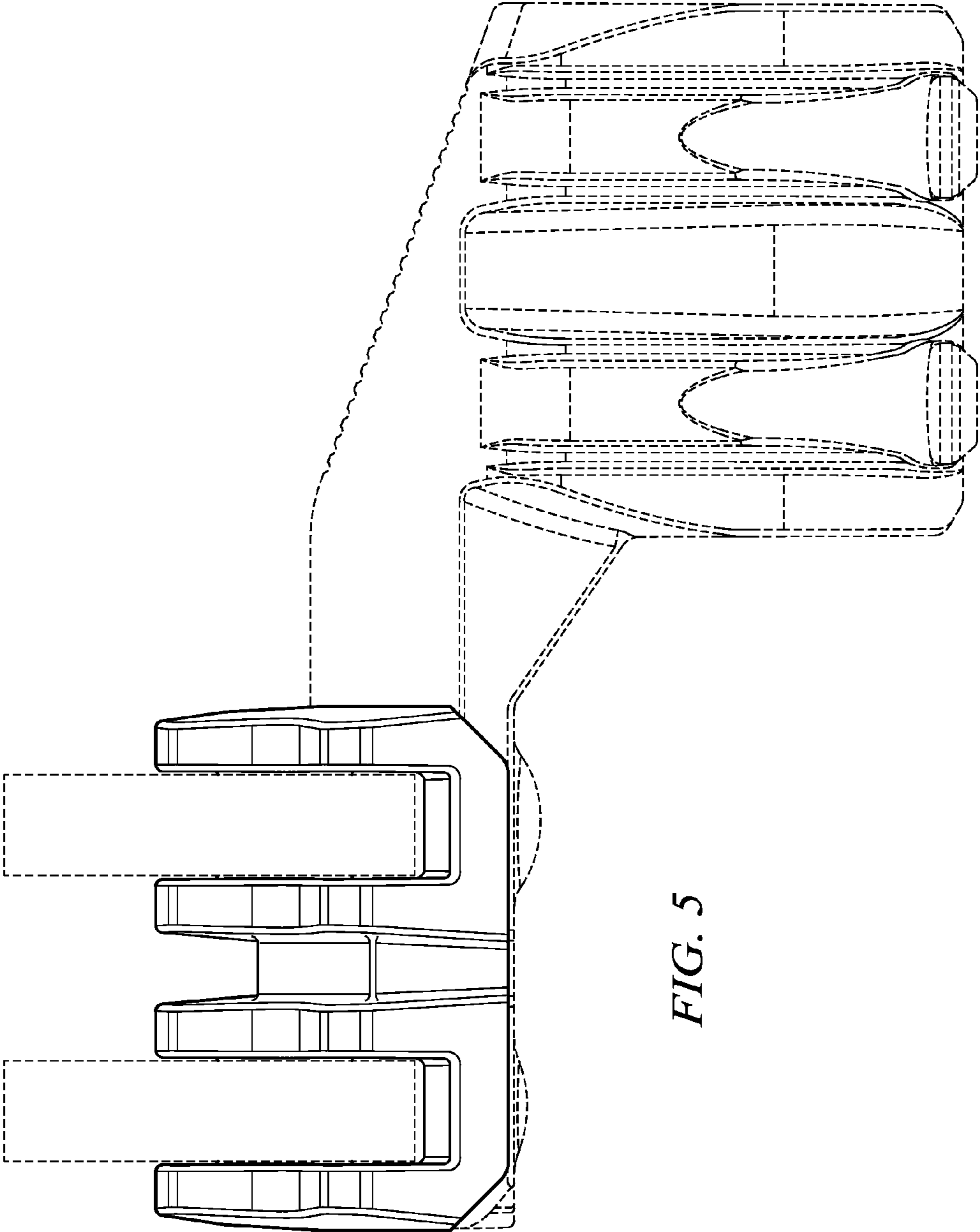


FIG. 1







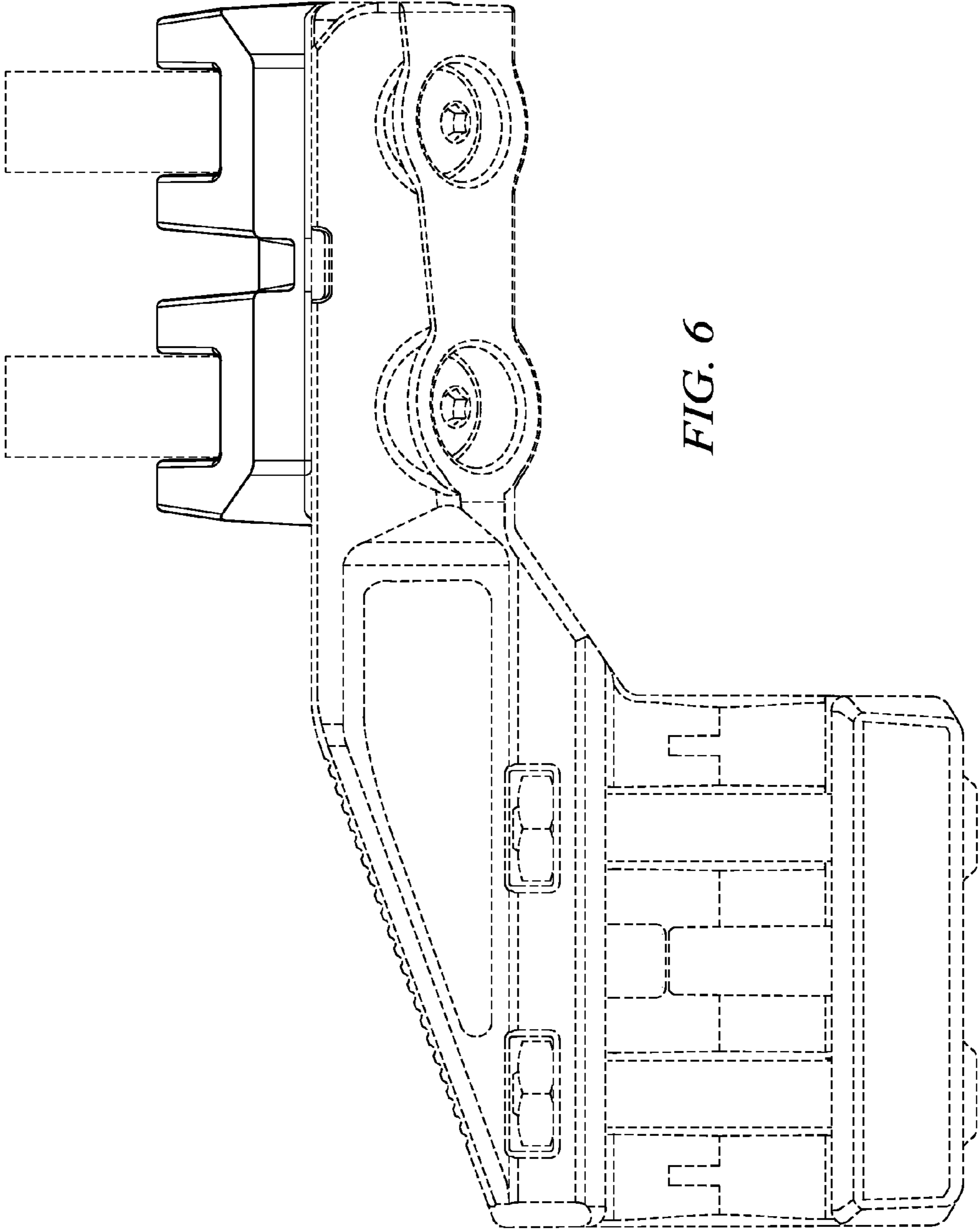


FIG. 6

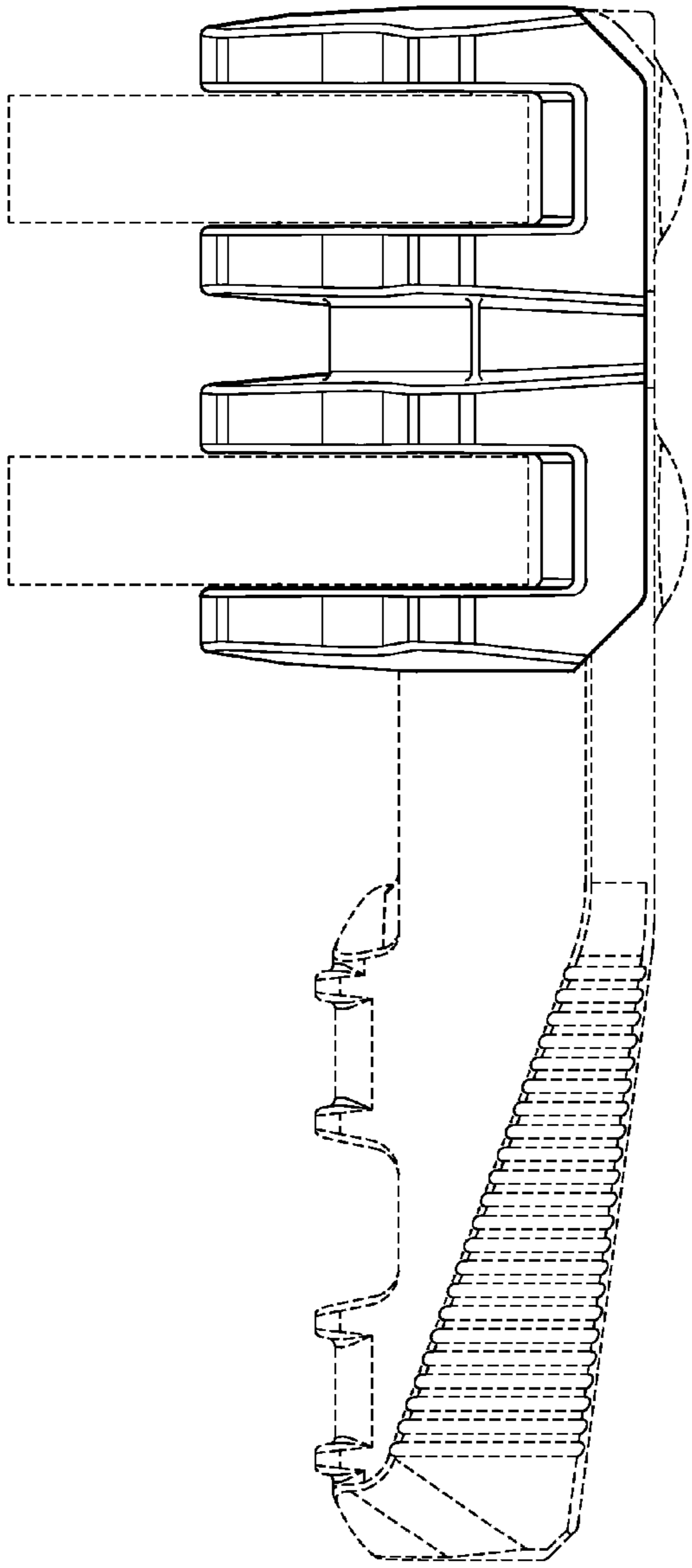


FIG. 7

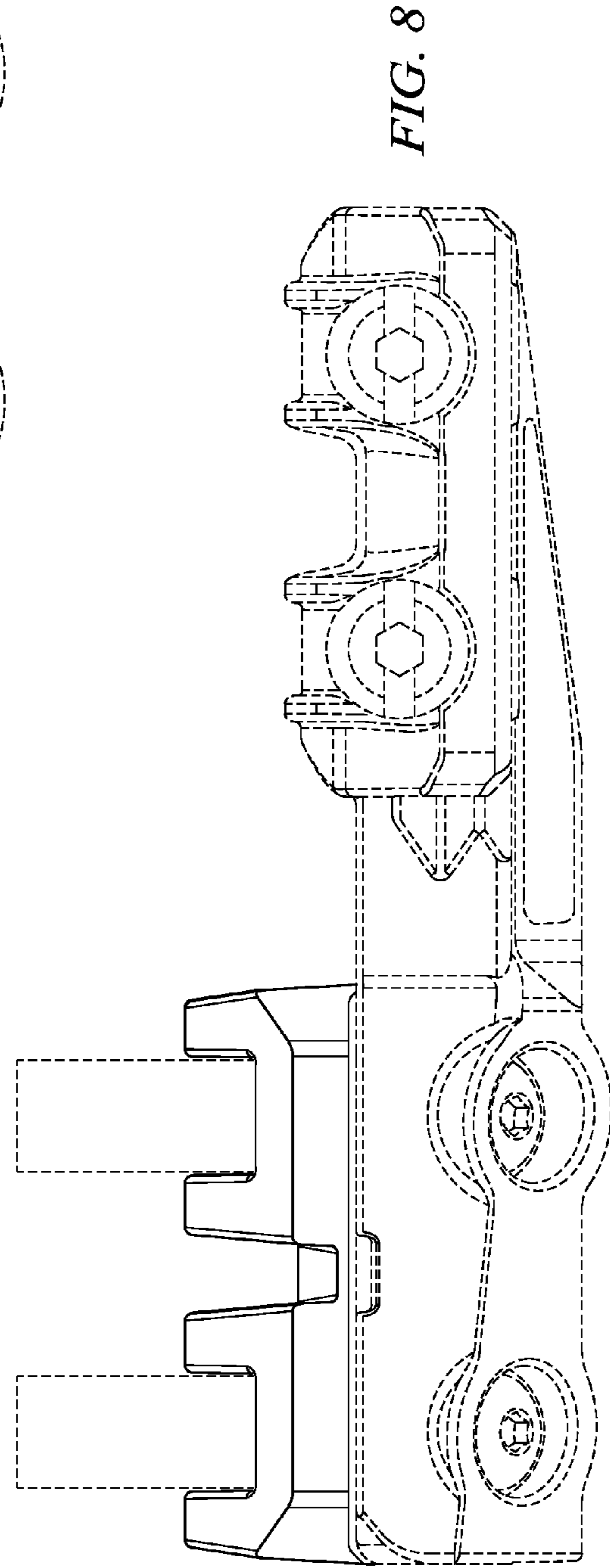


FIG. 8

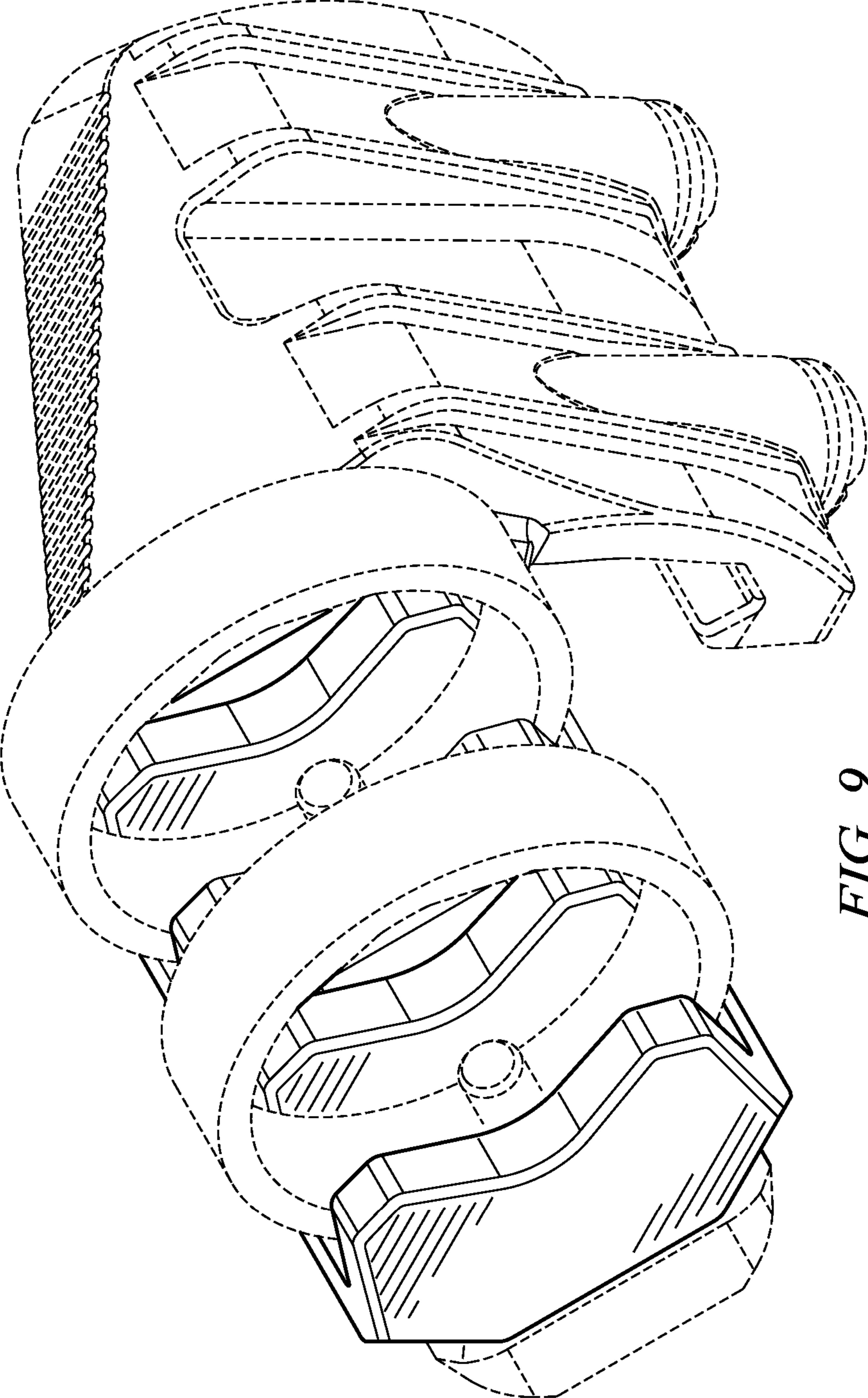


FIG. 9

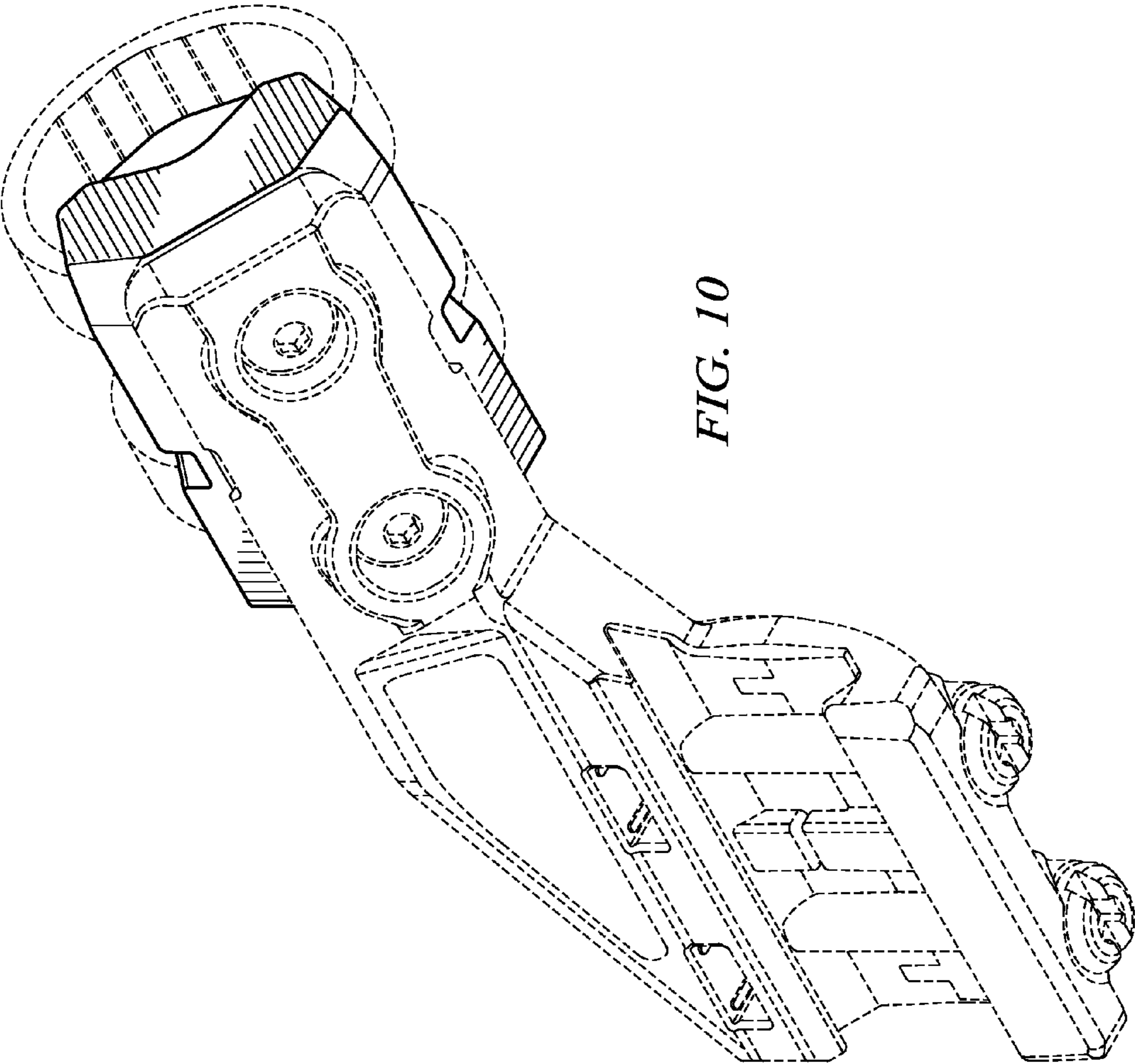


FIG. 10