



US00D745103S

(12) **United States Design Patent**  
**Corsi et al.**

(10) **Patent No.:** **US D745,103 S**  
(45) **Date of Patent:** **\*\* Dec. 8, 2015**

- (54) **DOUBLE-BARRELED BULLPUP PUMP-ACTION SHOTGUN**
- (71) Applicant: **Connecticut Shotgun Manufacturing Company, New Britain, CT (US)**
- (72) Inventors: **Paul Joseph Corsi, Terryville, CT (US); Antony Galazan, New Britain, CT (US)**
- (73) Assignee: **CONNECTICUT SHOTGUN MANUFACTURING COMPANY, New Britain, CT (US)**

(\*\*) Term: **14 Years**

(21) Appl. No.: **29/489,680**

(22) Filed: **May 1, 2014**

(51) **LOC (10) Cl.** ..... **22-01**

(52) **U.S. Cl.**  
USPC ..... **D22/103**

(58) **Field of Classification Search**  
USPC ..... D22/103; D21/572-575; 42/51, 71.01, 42/75.01, 75.02, 90, 94, 134, 136, 139, 42/125, 72, 111; 89/40.06, 41.19, 37.04, 89/33.04, 191.01, 200-204; 124/67, 66, 124/72, 74  
CPC ..... F41C 7/00; F41C 7/11; F41C 7/12  
See application file for complete search history.

(56) **References Cited**

**U.S. PATENT DOCUMENTS**

- 6,877,265 B2 \* 4/2005 Hajjar et al. .... 42/19
- D611,111 S \* 3/2010 Hajjar et al. .... D22/103
- D665,042 S \* 8/2012 Kellgren ..... D22/103
- D693,420 S \* 11/2013 Abbott et al. .... D22/103

- 8,615,915 B2 \* 12/2013 Hunter et al. .... 42/72
- 8,839,709 B1 \* 9/2014 Crye et al. .... 89/157
- D715,882 S \* 10/2014 Jonker ..... D22/103
- D723,128 S \* 2/2015 Hu ..... D22/103
- D730,999 S \* 6/2015 Stevens ..... D21/573
- 2008/0005951 A1 \* 1/2008 Gorzen ..... 42/14
- 2008/0121096 A1 \* 5/2008 Hajjar et al. .... 89/14.3
- 2011/0283582 A1 \* 11/2011 Hunter et al. .... 42/69.02
- 2012/0144712 A1 \* 6/2012 Rostocil ..... 42/16
- 2014/0013640 A1 \* 1/2014 Munson ..... 42/6

\* cited by examiner

*Primary Examiner* — Michael A Pratt

(74) *Attorney, Agent, or Firm* — Bennet K. Langlotz; Langlotz Patent & Trademark Works, Inc.

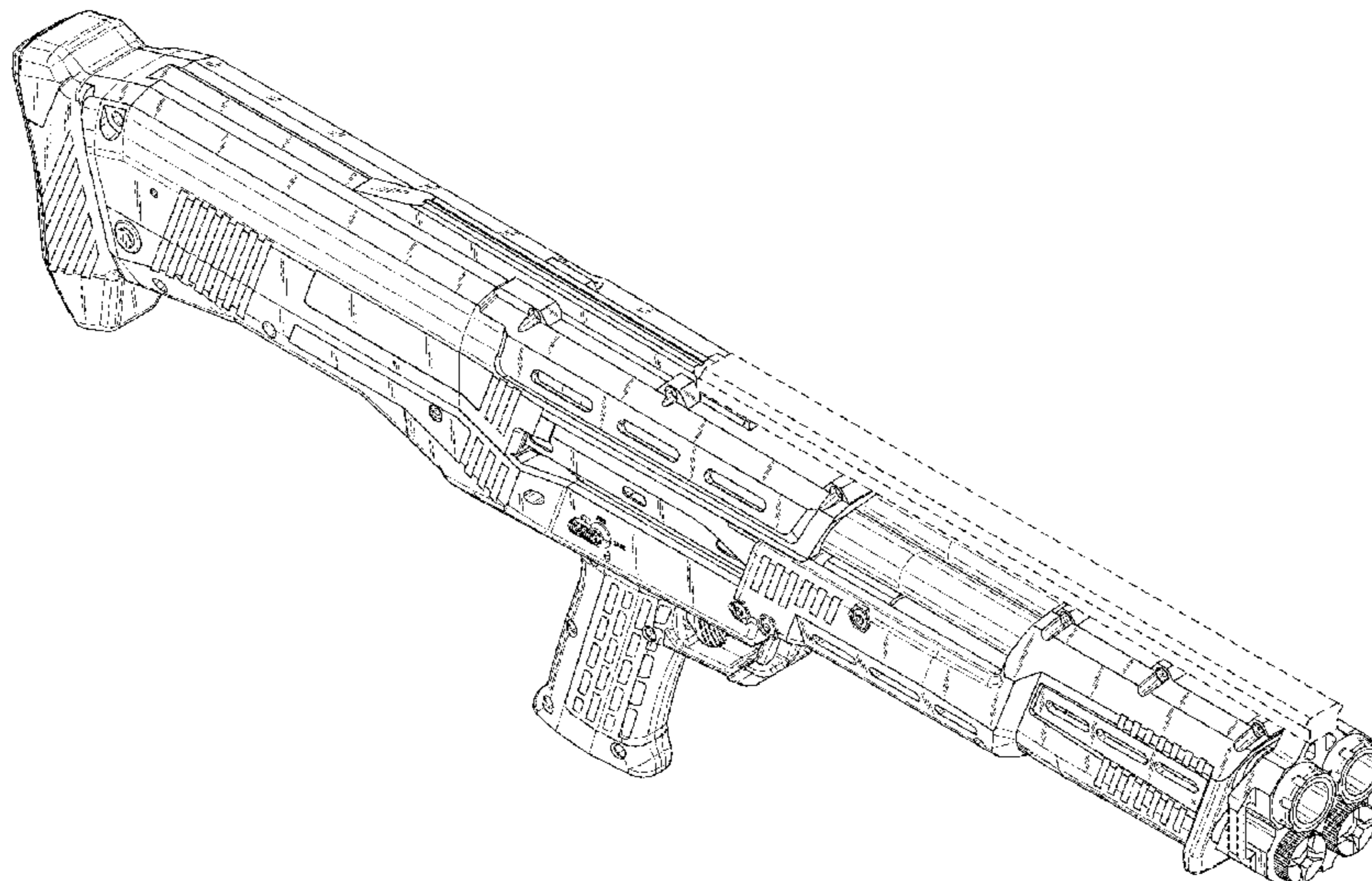
(57) **CLAIM**

The ornamental design for a double-barreled bullpup pump-action shotgun, as shown and described.

**DESCRIPTION**

FIG. 1 is an elevated right front perspective view of a double-barreled bullpup pump-action shotgun showing my (our) new design;  
 FIG. 2 is a left frontal perspective view thereof;  
 FIG. 3 is a right frontal perspective view thereof;  
 FIG. 4 is a lower right rear perspective view thereof;  
 FIG. 5 is a left elevation view thereof;  
 FIG. 6 is a right elevation view thereof;  
 FIG. 7 is a top view thereof;  
 FIG. 8 is a bottom view thereof;  
 FIG. 9 is a front elevation view thereof; and,  
 FIG. 10 is a rear elevation view thereof.  
 The broken line showing of aspects of the claimed design in FIGS. 1 through 10 is included for the purpose of illustrating environment and forms no part of the claimed design.

**1 Claim, 6 Drawing Sheets**



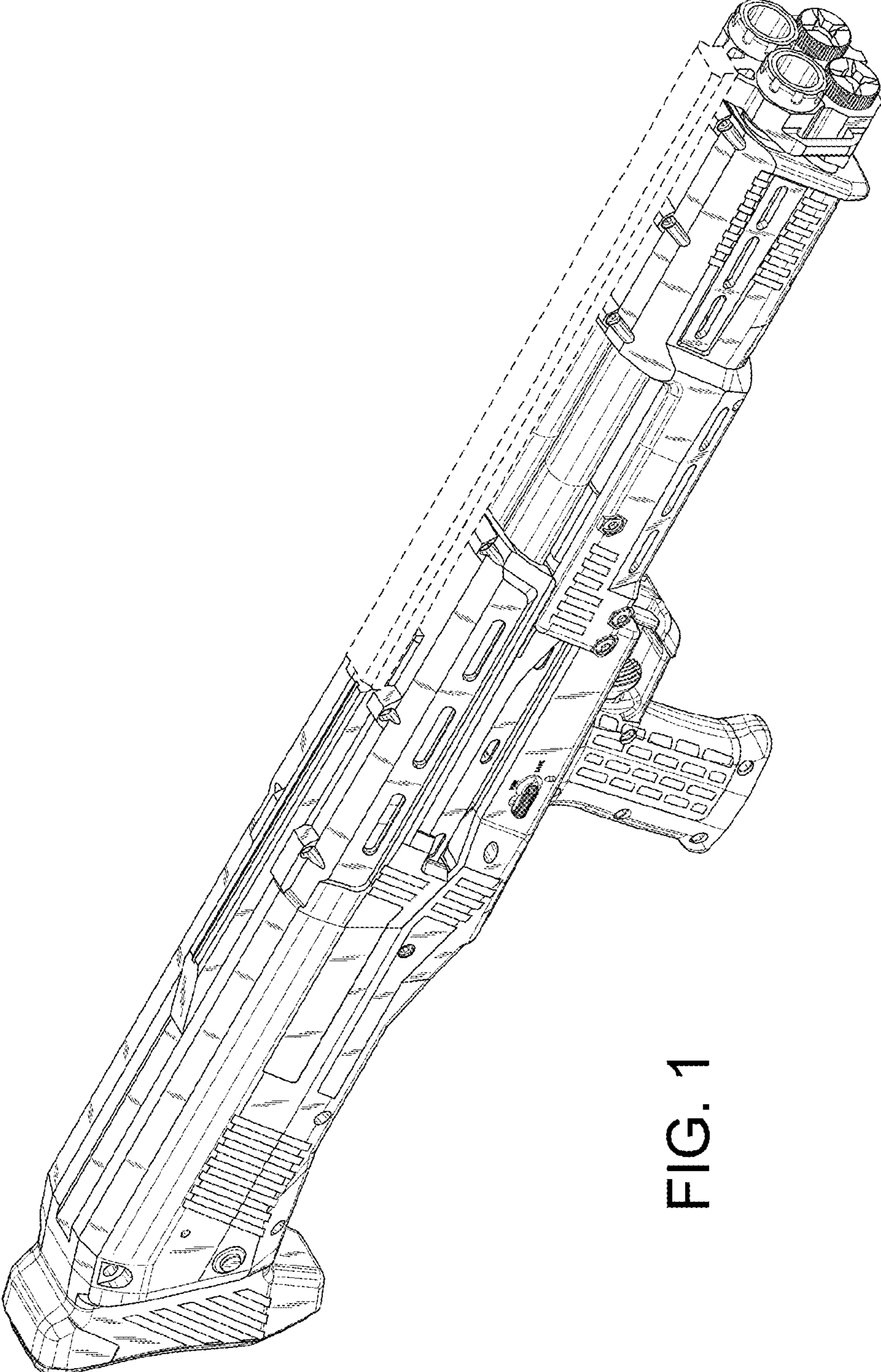


FIG. 1



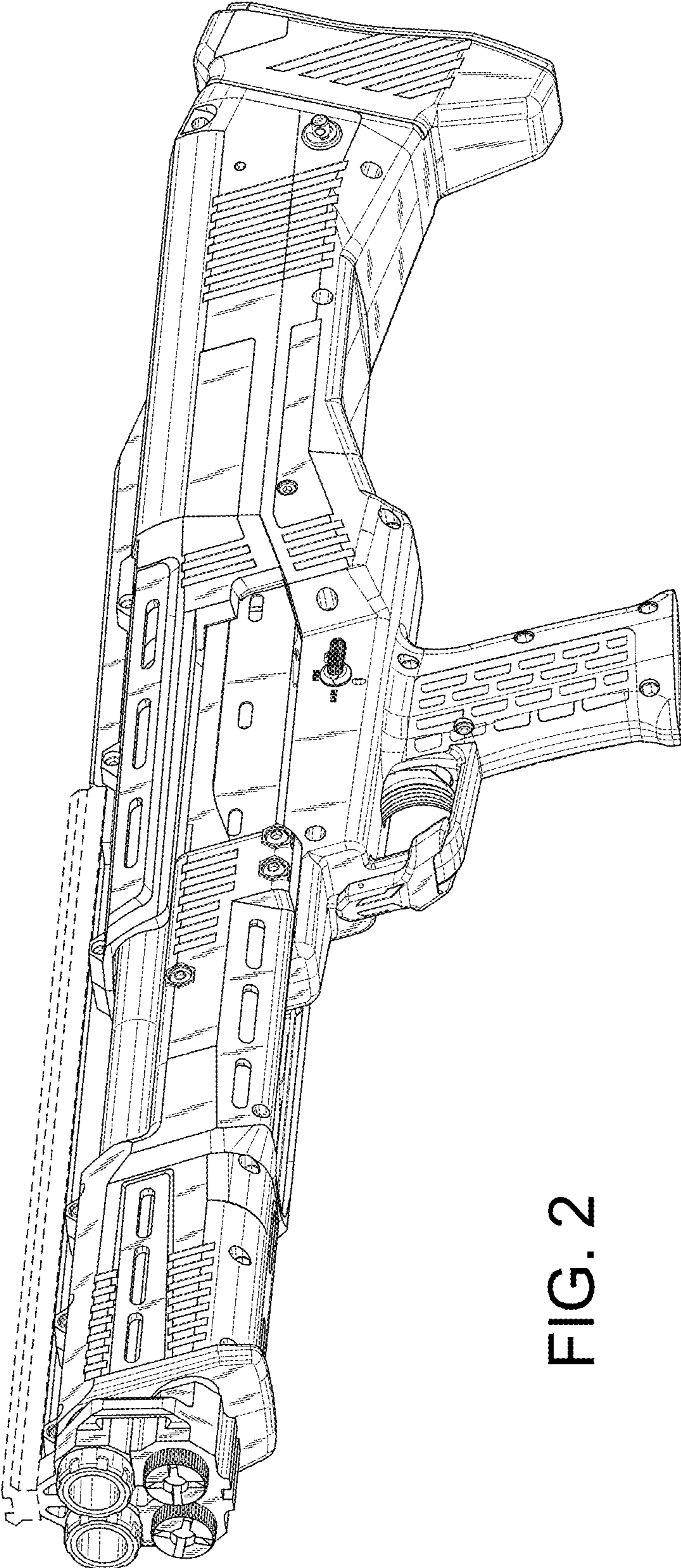


FIG. 2

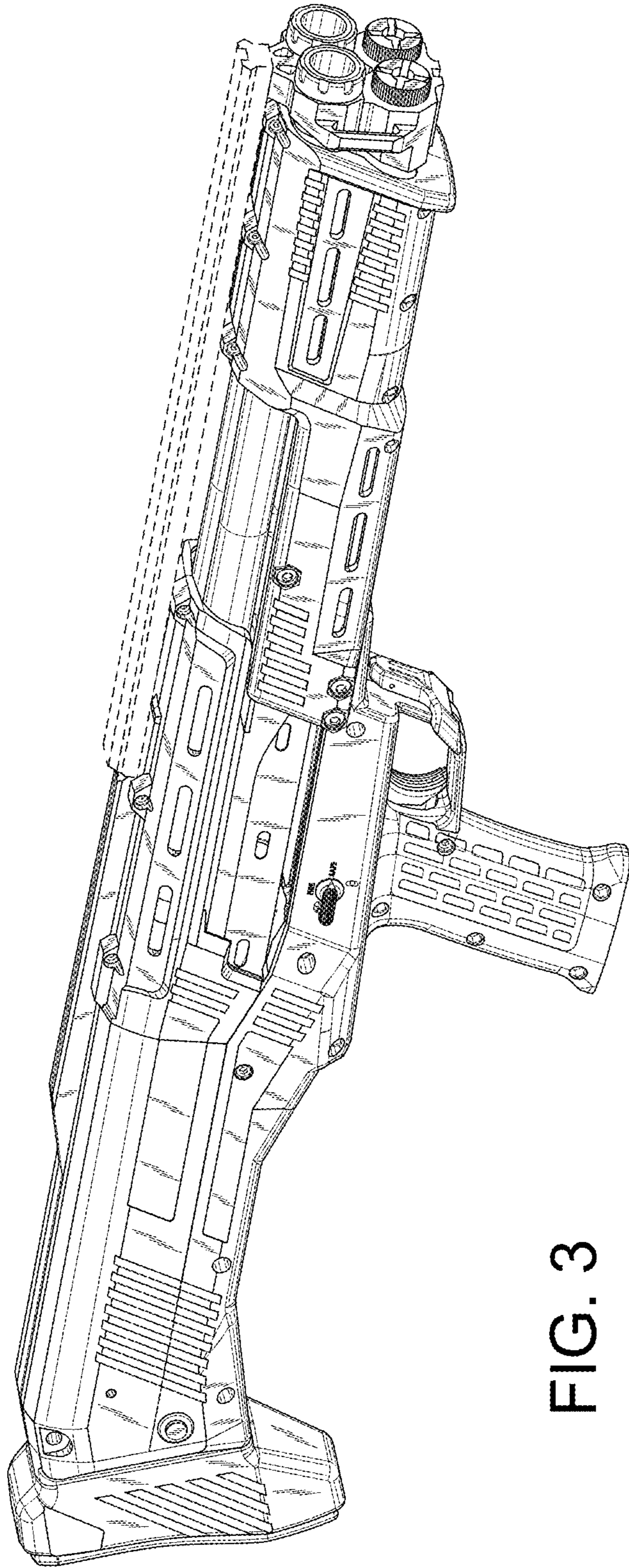


FIG. 3



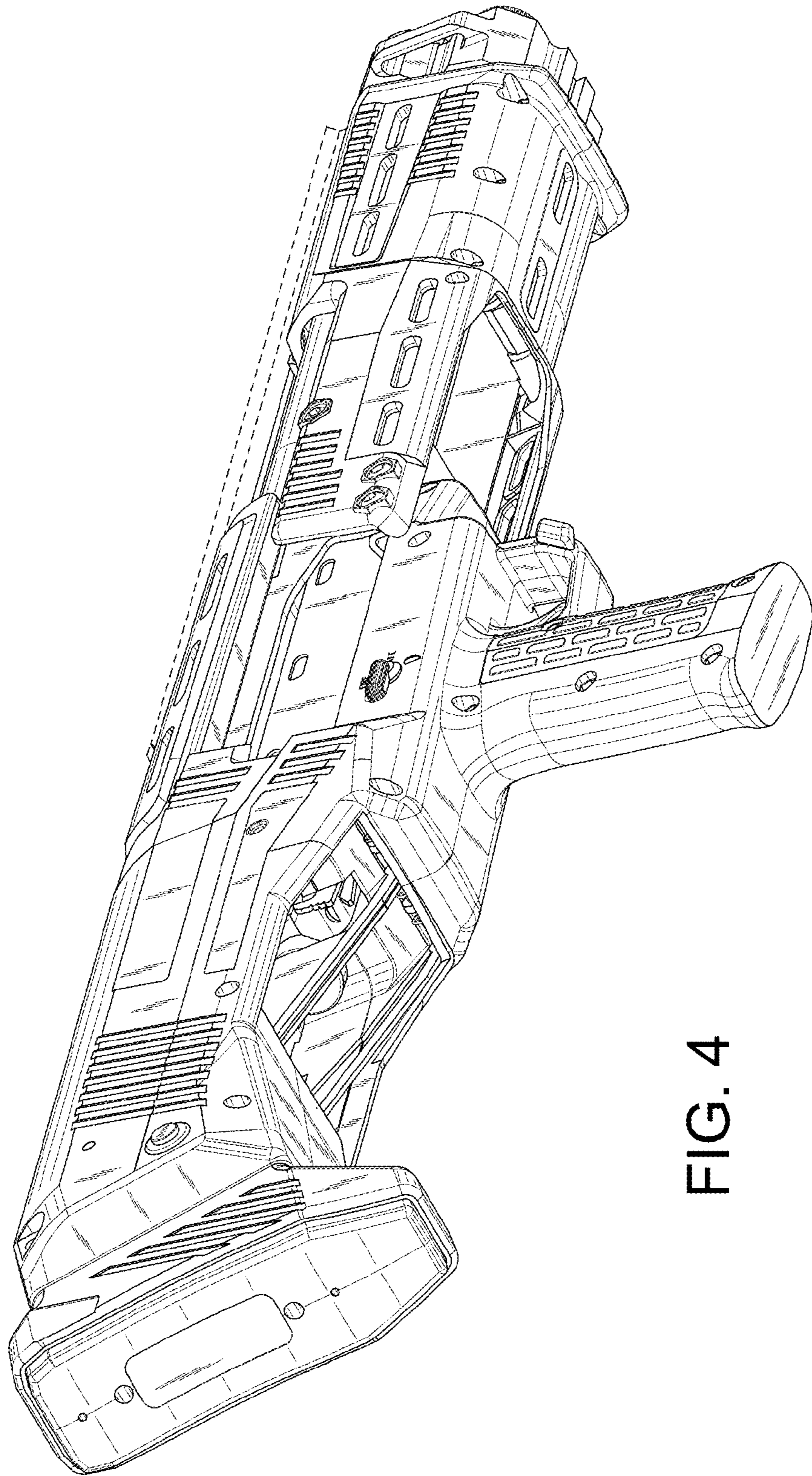


FIG. 4

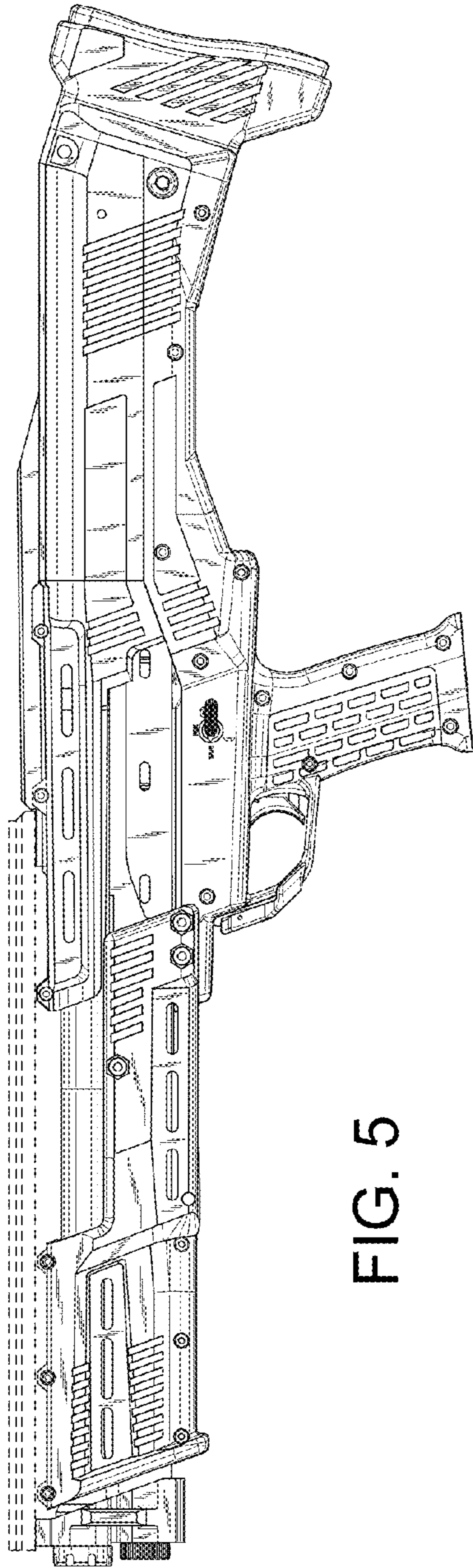


FIG. 5

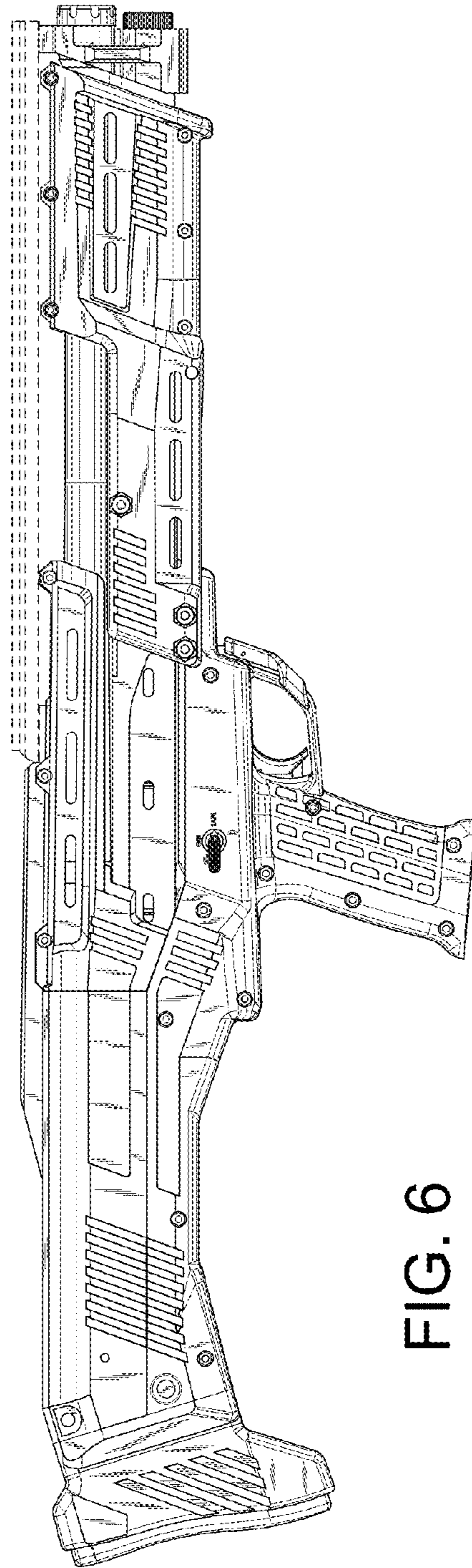


FIG. 6



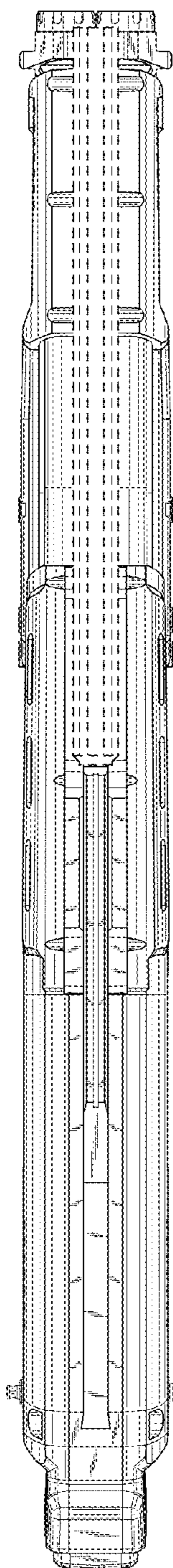


FIG. 7

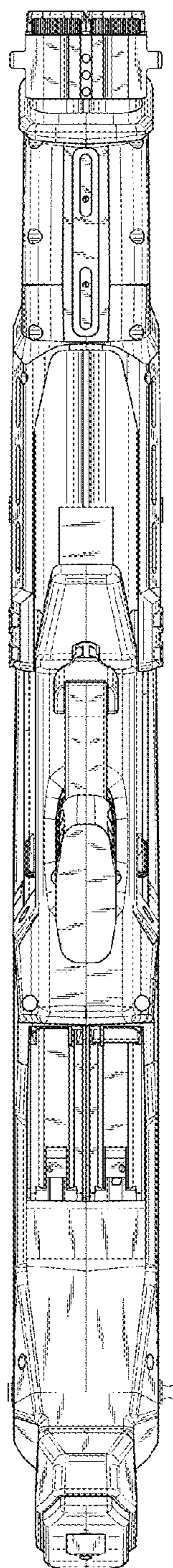


FIG. 8

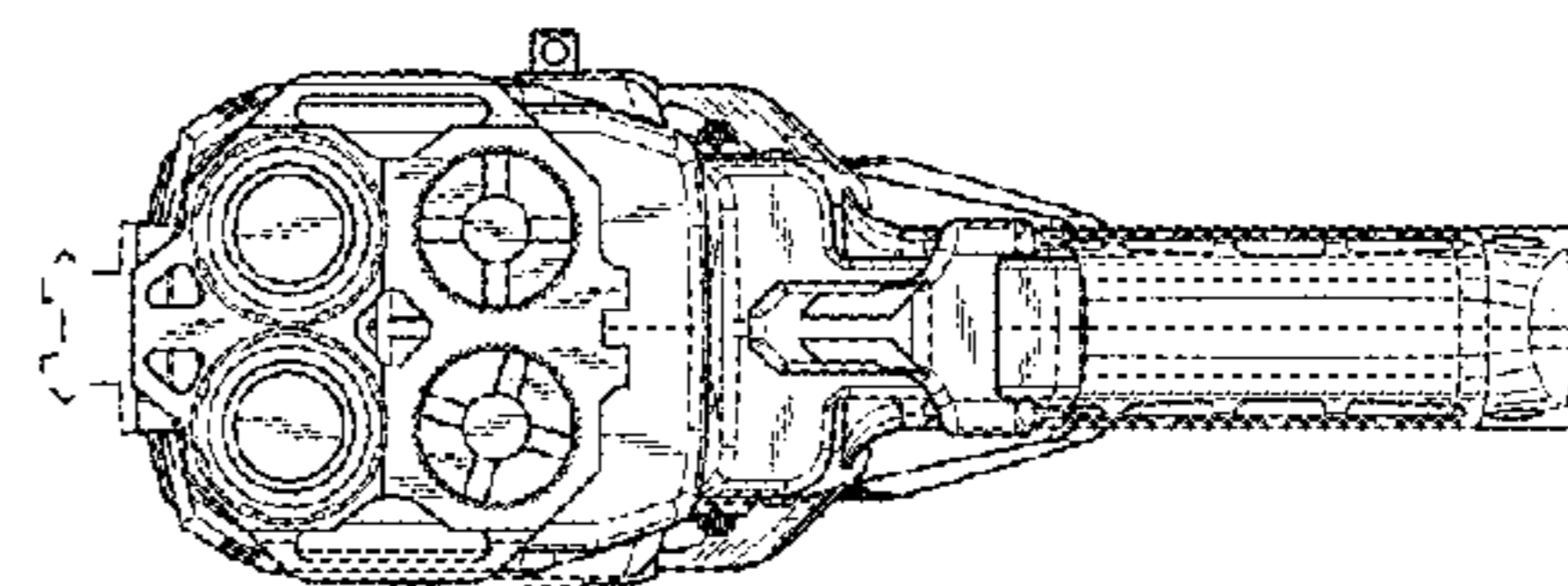


FIG. 9

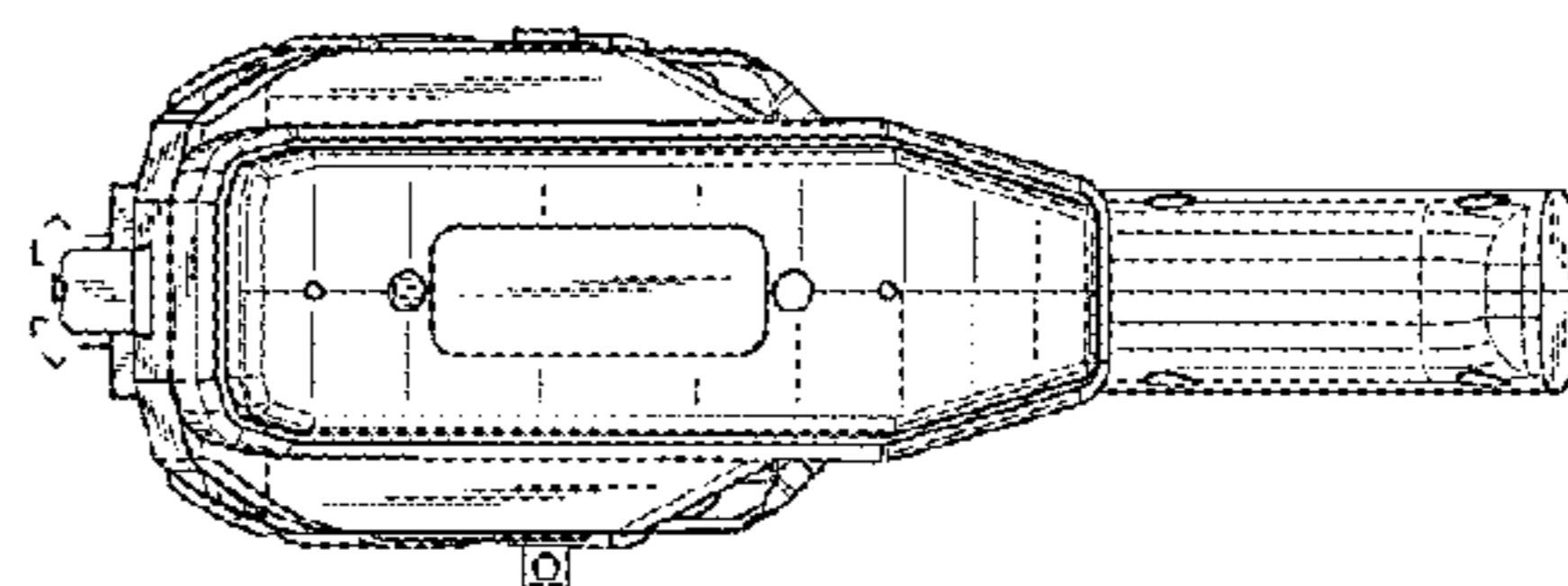


FIG. 10