



US00D745102S

(12) **United States Design Patent**  
**Young et al.**

(10) **Patent No.:** **US D745,102 S**  
(45) **Date of Patent:** **\*\* Dec. 8, 2015**

(54) **FIREARM**

(71) Applicants: **Nicholas E. Young**, Murray, UT (US);  
**Andrew Gary Sunseri**, Cottonwood Heights, UT (US)

(72) Inventors: **Nicholas E. Young**, Murray, UT (US);  
**Andrew Gary Sunseri**, Cottonwood Heights, UT (US)

(\*\*) Term: **14 Years**

(21) Appl. No.: **29/487,973**

(22) Filed: **Apr. 14, 2014**

(51) **LOC (10) Cl.** ..... **22-01**

(52) **U.S. Cl.**  
USPC ..... **D22/103**

(58) **Field of Classification Search**  
USPC ..... D22/103, 108; D21/572-575; 42/51,  
42/71.01, 75.01, 75.02, 90, 94, 134, 136,  
42/139, 125, 72, 111; 89/40.06, 41.19,  
89/37.04, 33.04, 191.01, 200-204;  
124/67, 66, 72, 74  
CPC ..... F41C 7/00; F41C 7/11; F41C 7/12;  
F41A 3/26; F41A 21/36; F41A 5/18  
See application file for complete search history.

(56) **References Cited**

**U.S. PATENT DOCUMENTS**

D547,818 S \* 7/2007 Wolfe ..... D22/103  
7,299,737 B2 \* 11/2007 Hajjar et al. .... 89/188  
D611,111 S \* 3/2010 Hajjar et al. .... D22/103  
D665,042 S \* 8/2012 Kellgren ..... D22/103  
D693,420 S \* 11/2013 Abbott et al. .... D22/103  
D710,964 S \* 8/2014 Chvala ..... D22/108

D715,882 S \* 10/2014 Jonker ..... D22/103  
D719,631 S \* 12/2014 Ferko ..... D22/103  
D723,128 S \* 2/2015 Hu ..... D22/103  
D730,999 S \* 6/2015 Stevens ..... D21/573  
2011/0209607 A1 \* 9/2011 St. George ..... 89/191.01  
2011/0283582 A1 \* 11/2011 Hunter et al. .... 42/69.02

**OTHER PUBLICATIONS**

<https://www.keltecweapons.com/our-guns/rfb/rifle/> accessed Apr. 3, 2014.

<http://www.iwi.us/TAVOR> accessed Apr. 3, 2014.

\* cited by examiner

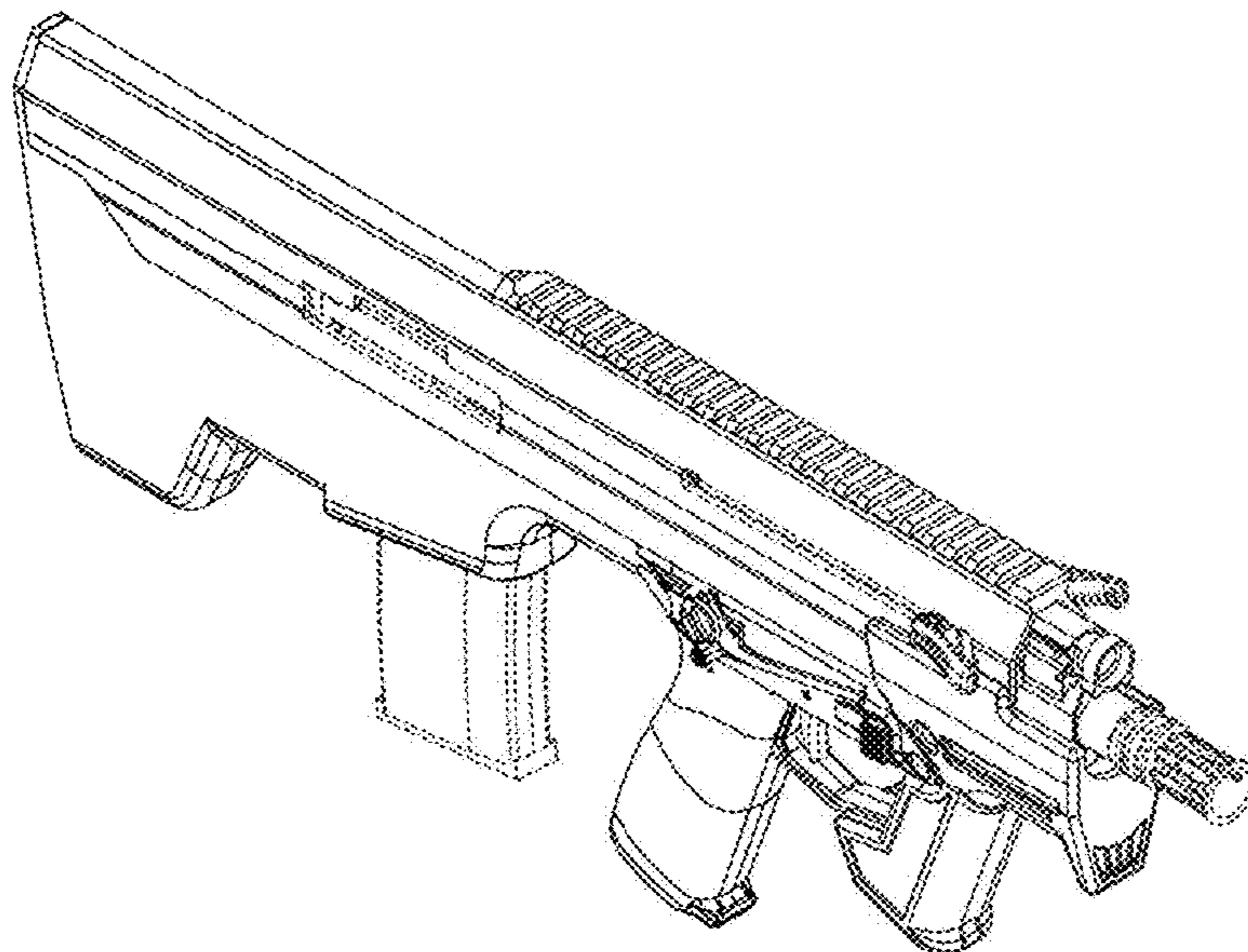
*Primary Examiner* — Michael A Pratt

(57) **CLAIM**  
The ornamental design for a firearm, as shown.

**DESCRIPTION**

FIG. 1 is a perspective view of an exemplary firearm from above to the right and toward the front.  
FIG. 2 is a perspective view of the firearm of FIG. 1 from above to the left and toward the front.  
FIG. 3 is a perspective view of the firearm of FIG. 1 from below to the right and toward the front.  
FIG. 4 is a perspective view of the firearm of FIG. 1 from below to the left and toward the front.  
FIG. 5 is a left elevation view of the firearm of FIG. 1.  
FIG. 6 is a right elevation view of the firearm of FIG. 1.  
FIG. 7 is a bottom plan view of the firearm of FIG. 1.  
FIG. 8 is a top plan view of the firearm of FIG. 1.  
FIG. 9 is a front elevation view of the firearm of FIG. 1; and, FIG. 10 is a rear elevation view of the firearm of FIG. 1.  
The phantom dashed lines in FIGS. 1 through 10 showing portions of the firearm are for illustrative purposes only and form no part of the claimed design.

**1 Claim, 7 Drawing Sheets**



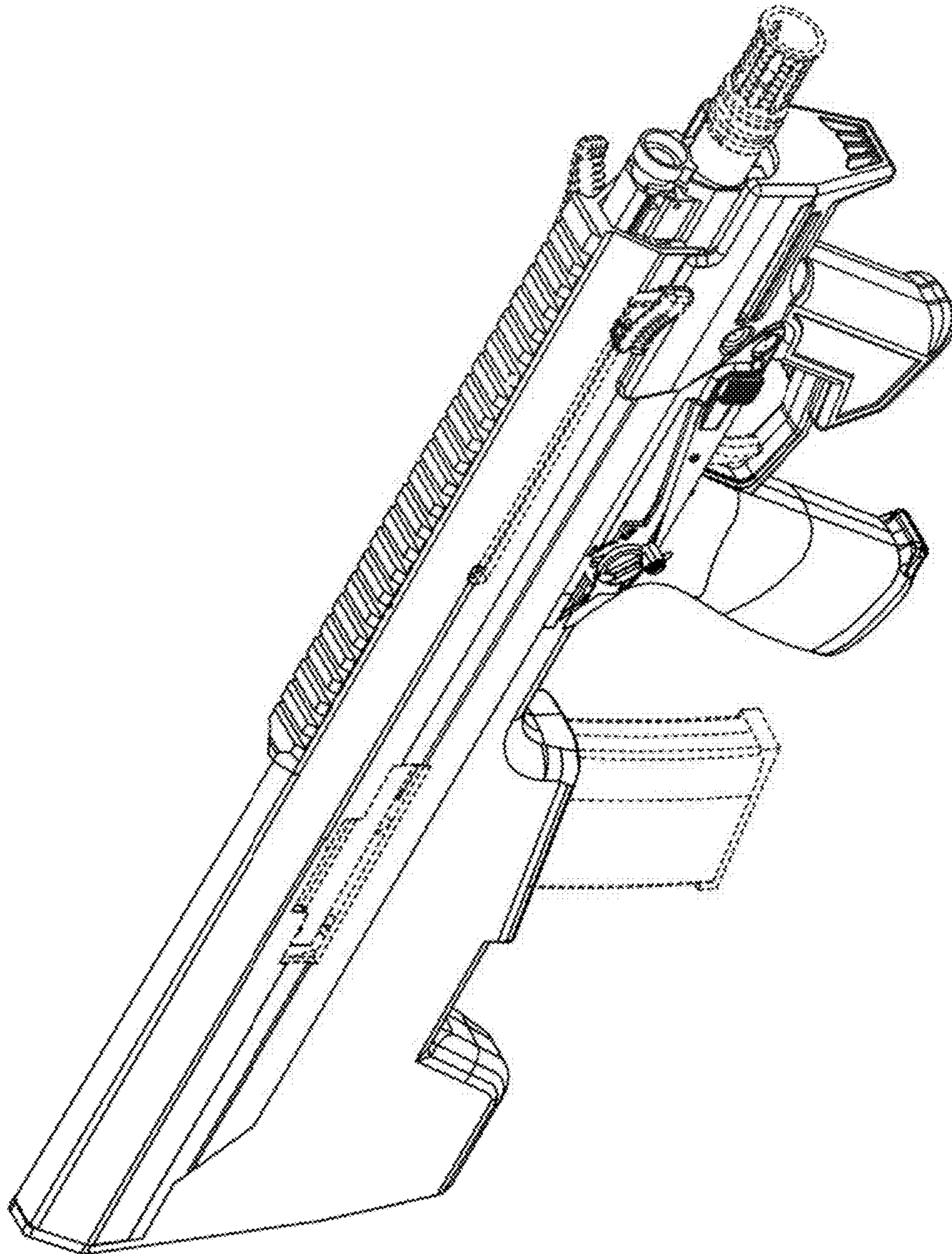


FIG. 1

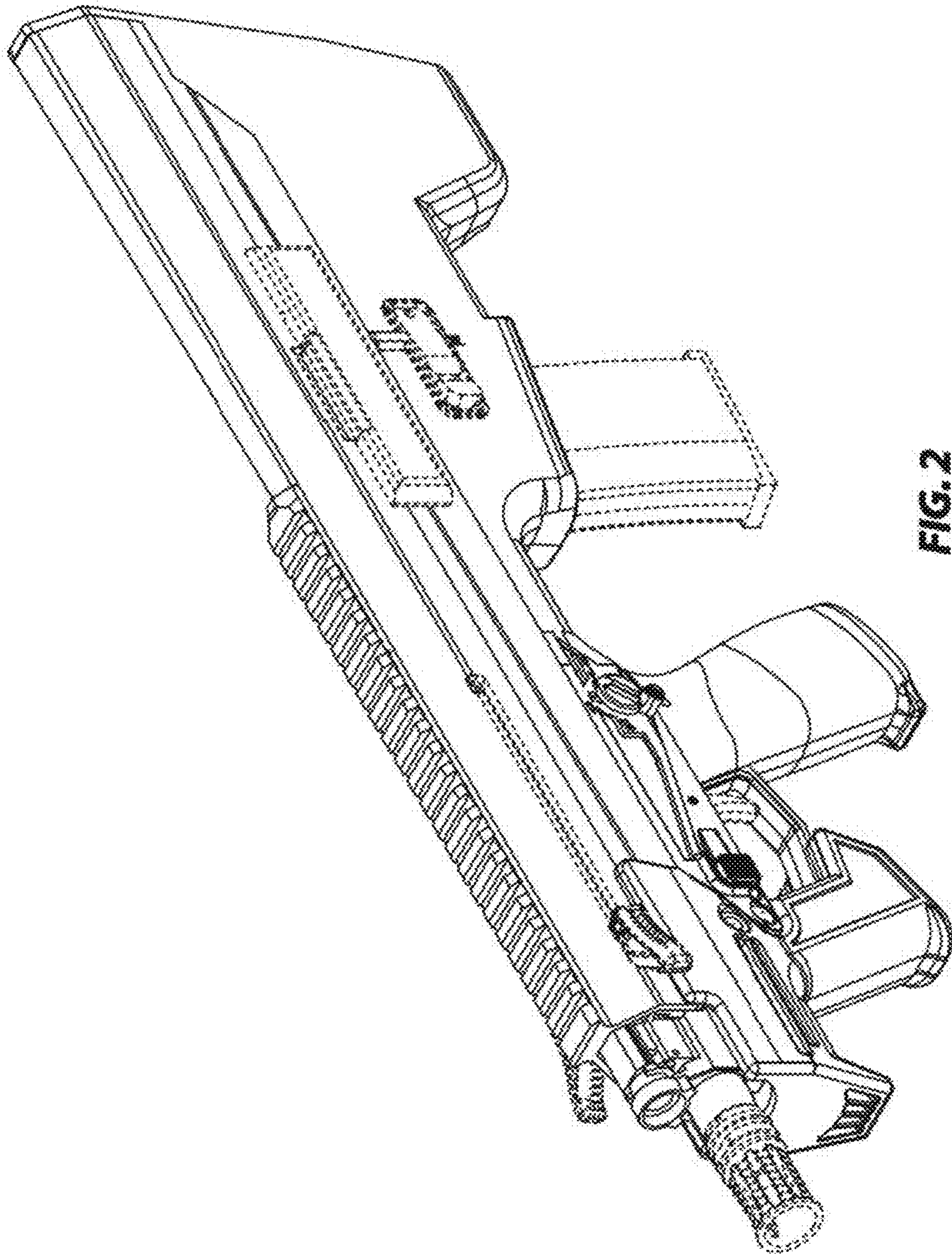


FIG. 2

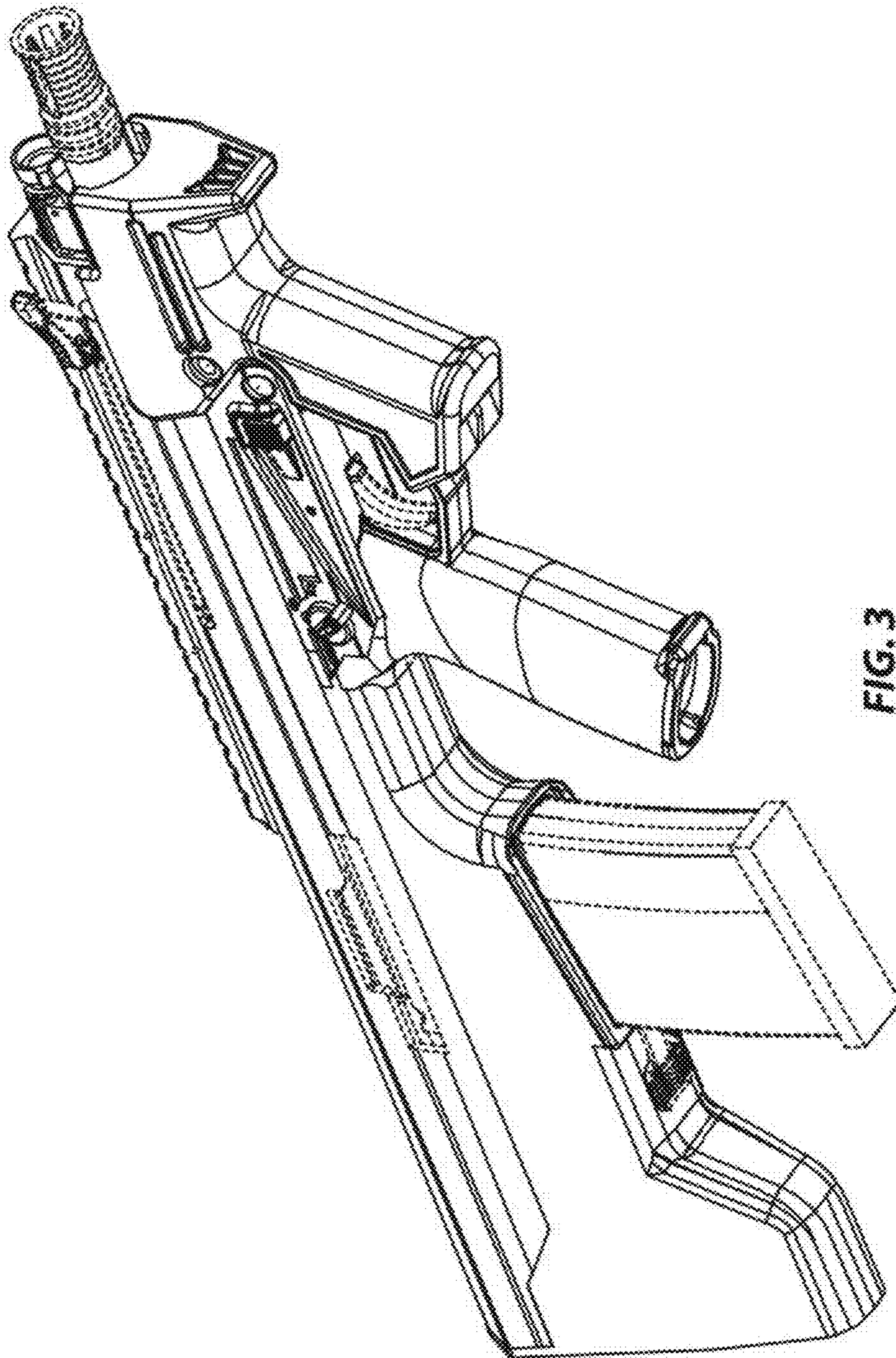


FIG. 3

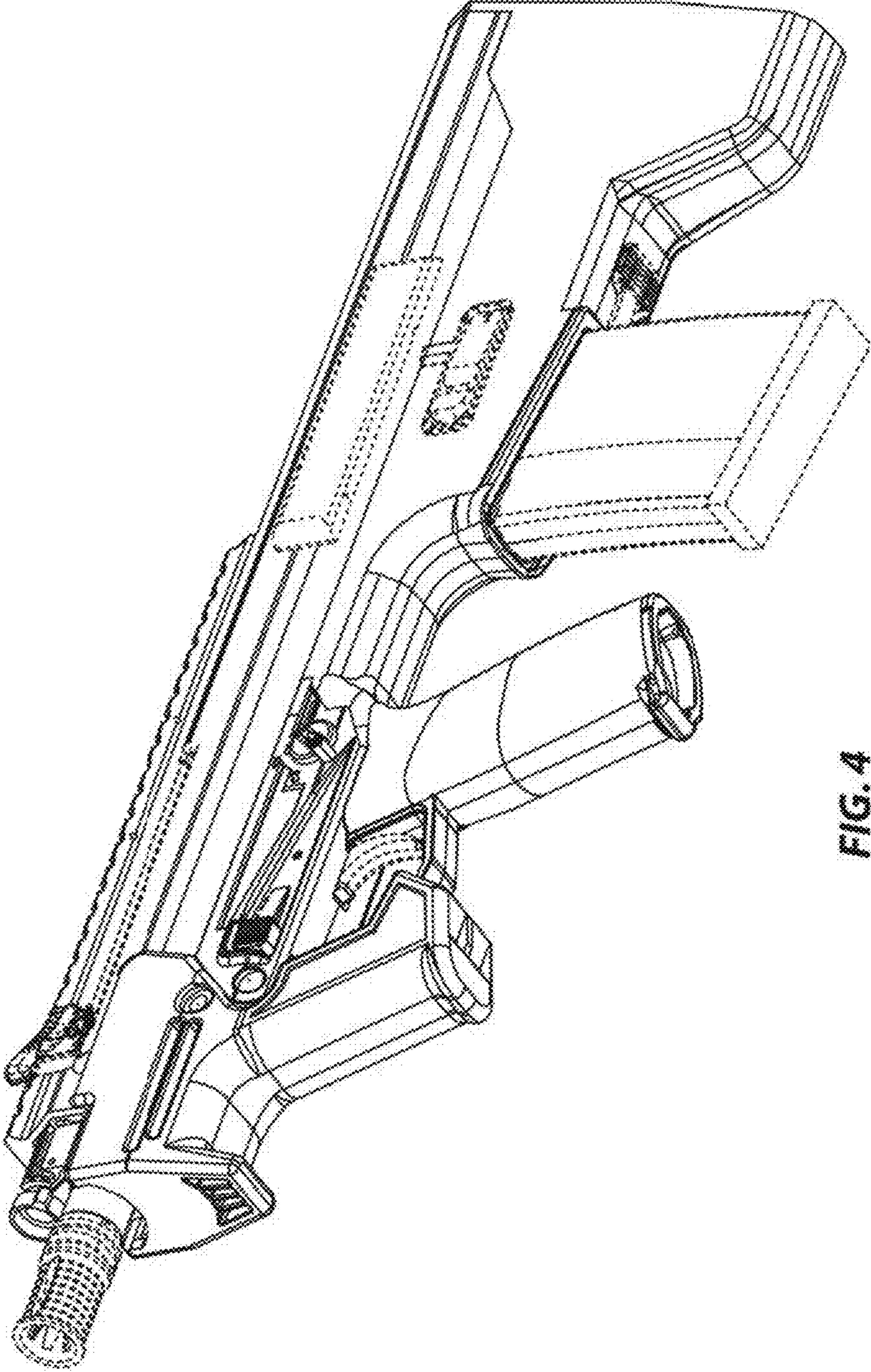


FIG. 4

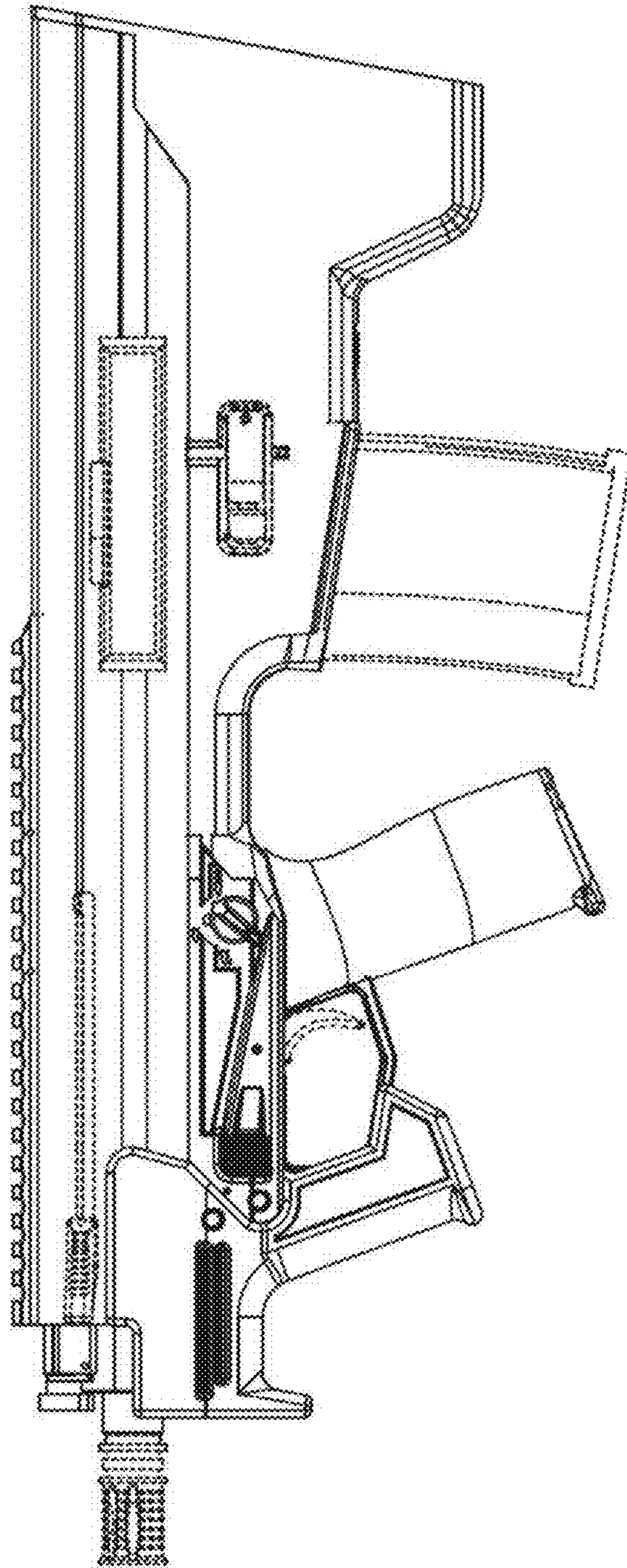


FIG. 5

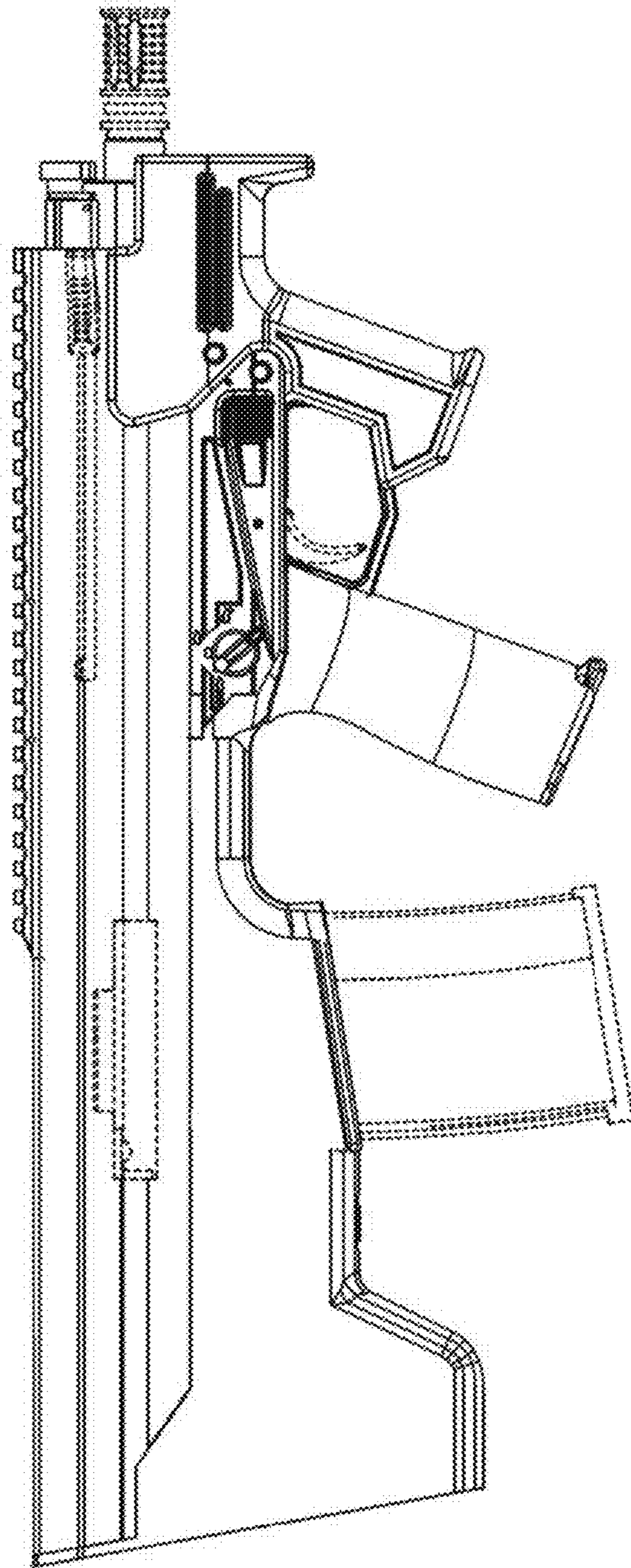


FIG. 6

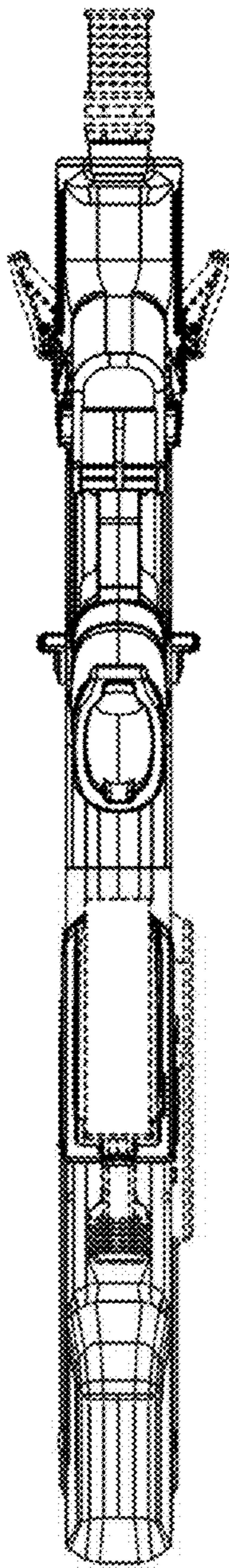


FIG. 7

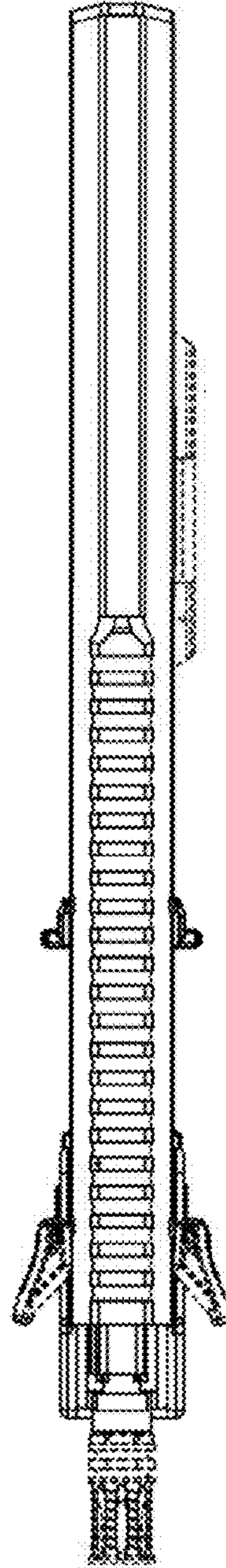


FIG. 8

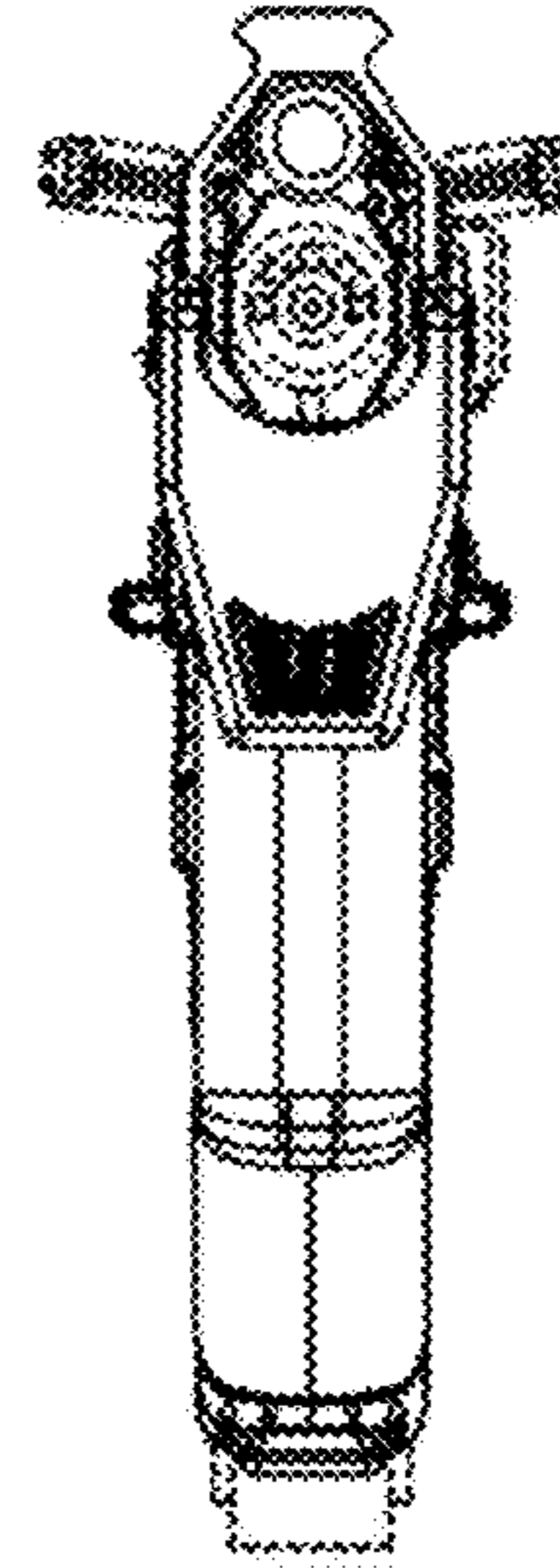


FIG. 9

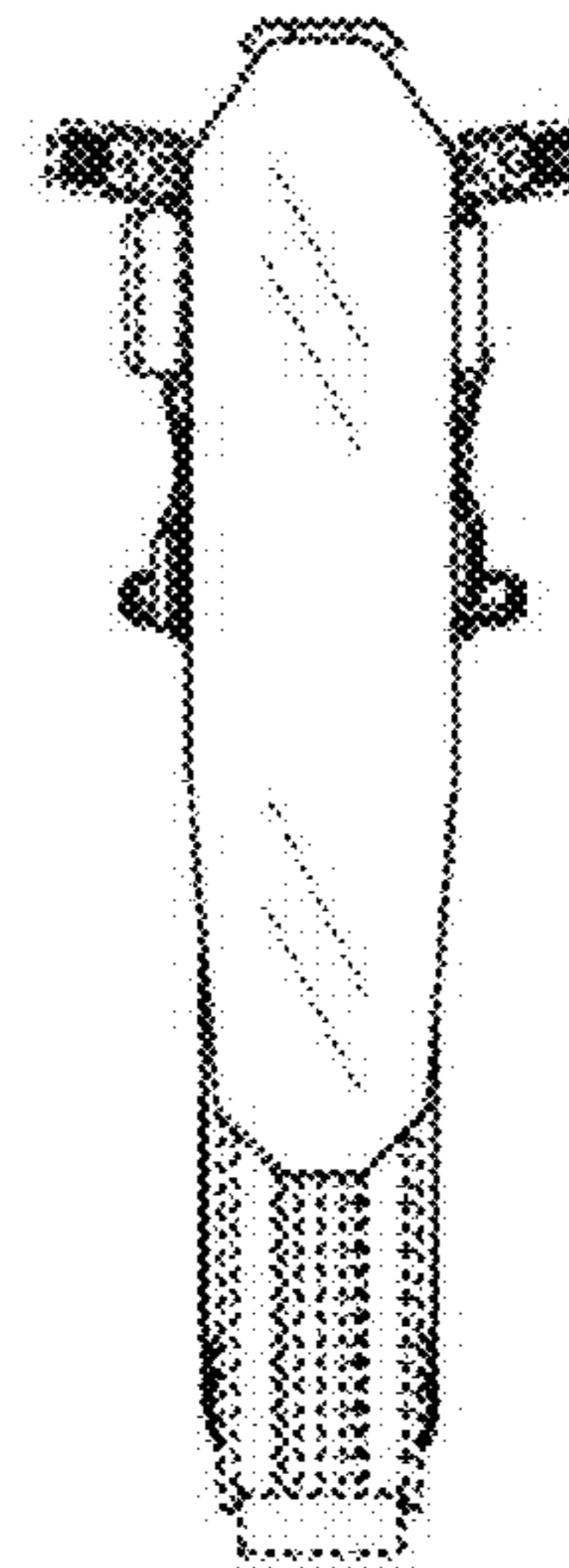


FIG. 10