



US00D745098S

(12) **United States Design Patent**
Connerley et al.

(10) **Patent No.:** **US D745,098 S**

(45) **Date of Patent:** **** Dec. 8, 2015**

(54) **LOWER LIFT ARM**

(75) Inventors: **James J. Connerley**, Noblesville, IN
(US); **Kevin R. Needler**, Fishers, IN
(US)

(73) Assignee: **Gared Holdings, LLC**, Noblesville, IN
(US)

(**) Term: **14 Years**

(21) Appl. No.: **29/426,037**

(22) Filed: **Jun. 29, 2012**

(51) **LOC (10) Cl.** **21-02**

(52) **U.S. Cl.**
USPC **D21/701**

(58) **Field of Classification Search**
USPC D21/698–705; D8/349, 354, 355, 363,
D8/373, 380; 473/479–489; 248/218.4,
248/219.1, 219.4, 123.11, 283.1, 280.11,
248/292.1, 281.11, 284.1, 324, 325
CPC A63B 63/083; A63B 2225/093; A63B
71/023; A63B 2063/086
See application file for complete search history.

(56) **References Cited**

U.S. PATENT DOCUMENTS

3,880,392	A *	4/1975	Duganich	248/324
D268,687	S *	4/1983	Rogers	D19/91
4,430,130	A *	2/1984	Sorensen	148/529
D312,856	S	12/1990	Boyd, Jr. et al.	D21/201
5,114,141	A *	5/1992	Mahoney	473/481
5,211,393	A *	5/1993	Rolffs et al.	473/484
D343,883	S	2/1994	Hall	D21/201
D350,797	S	9/1994	Curtis	D21/201
5,390,914	A *	2/1995	Schroeder	473/483
5,570,880	A *	11/1996	Nordgran	473/481
5,879,247	A	3/1999	Winter et al.	473/484
6,077,177	A	6/2000	Winter et al.	473/484
6,120,396	A	9/2000	Van Nimwegen et al.	473/484
6,142,891	A	11/2000	Winter et al.	473/484

6,302,811	B1 *	10/2001	Topham	473/484
6,402,644	B2	6/2002	Stanford et al.	473/484
6,419,598	B1	7/2002	Winter et al.	473/484
6,422,957	B1	7/2002	Winter et al.	473/484
6,488,599	B2	12/2002	Nye	473/483
6,645,095	B1	11/2003	Nye et al.	473/484
D484,200	S	12/2003	Nye et al.	D21/701
6,663,065	B1 *	12/2003	Whittenburg	248/219.1
6,699,146	B1	3/2004	Winter et al.	473/484
D498,800	S	11/2004	Nye et al.	D21/701
6,881,178	B1 *	4/2005	Goldberg	482/57
7,048,655	B2	5/2006	Nye et al.	473/486
D529,558	S	10/2006	White	D21/702
D537,490	S	2/2007	McAllister et al.	D21/702
D557,759	S	12/2007	McAllister et al.	D21/702
7,320,652	B2	1/2008	Kilpatrick	473/483
D572,119	S *	7/2008	Wells et al.	D8/354
7,393,293	B2 *	7/2008	Guerzini et al.	473/484
8,062,152	B2	11/2011	Nye et al.	473/484
8,206,247	B2	6/2012	Elpers	473/484

(Continued)

Primary Examiner — Catherine Tuttle

(74) *Attorney, Agent, or Firm* — Brinks Gilson & Lione

(57) **CLAIM**

We claim the ornamental design for a lower lift arm, as shown and described.

DESCRIPTION

FIG. 1 is a perspective view of a lower lift arm shown installed in a basketball goal.

FIG. 2 is a side view of the lower lift arm shown in FIG. 1, the opposite side being identical thereto.

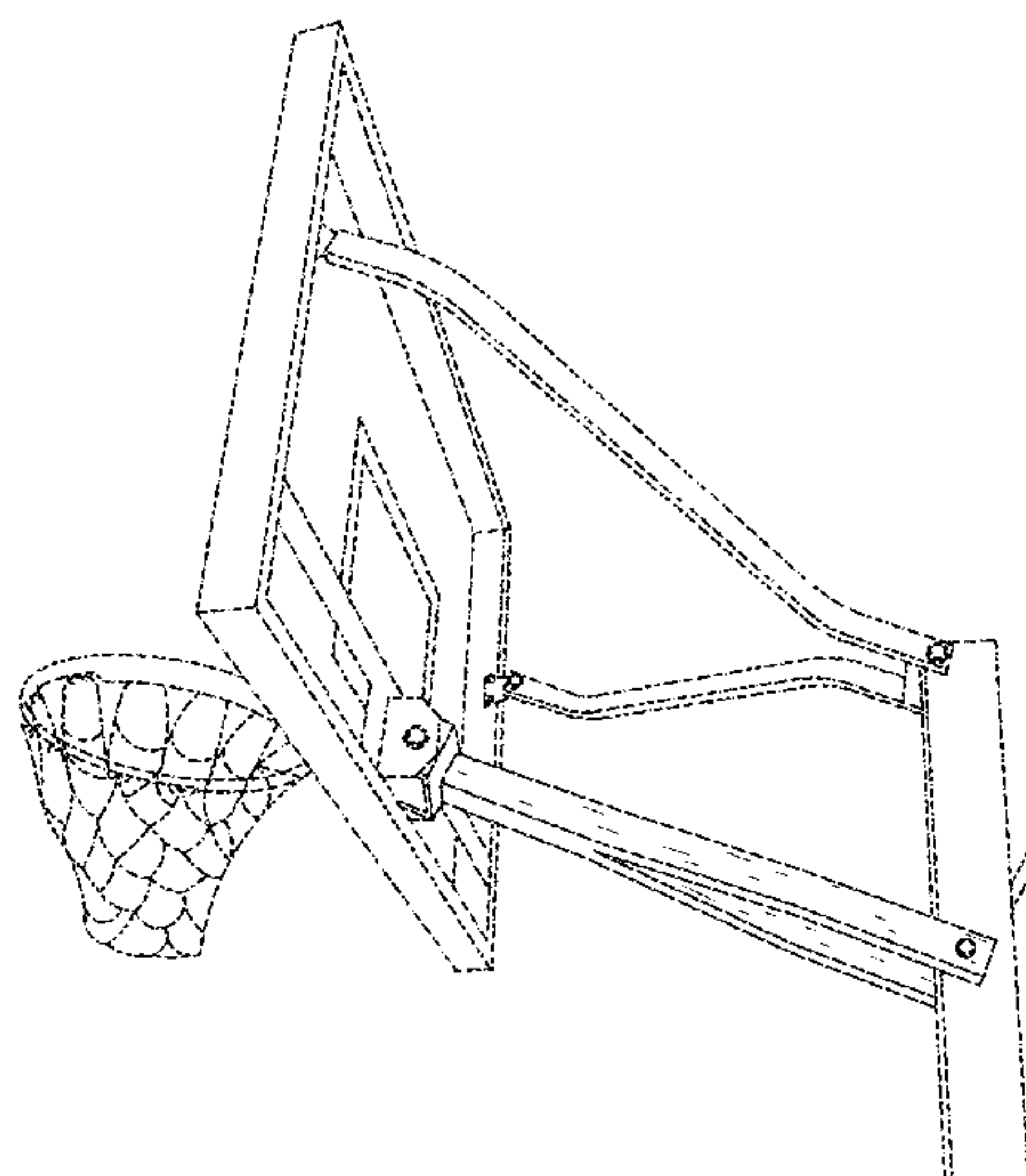
FIG. 3 is a plan view of the lower lift arm shown in the previous figures.

FIG. 4 is a plan view of the lower lift arm opposite that shown in FIG. 3; and,

FIG. 5 is a front elevation view of the lower lift arm shown in the previous figures.

The broken lines depict environmental subject matter and form no part of the claimed design.

1 Claim, 5 Drawing Sheets



(56)

References Cited

U.S. PATENT DOCUMENTS

2001/0024984	A1	9/2001	Stanford et al.	473/484	2007/0225092	A1*	9/2007	Watson et al.	473/481
2002/0094890	A1*	7/2002	White et al.	473/483	2007/0238559	A1*	10/2007	Nye et al.	473/481
2007/0010356	A1*	1/2007	Moller	473/483	2009/0069130	A1	3/2009	Nye et al.	473/484
					2009/0163305	A1*	6/2009	Connerley et al.	473/481

* cited by examiner

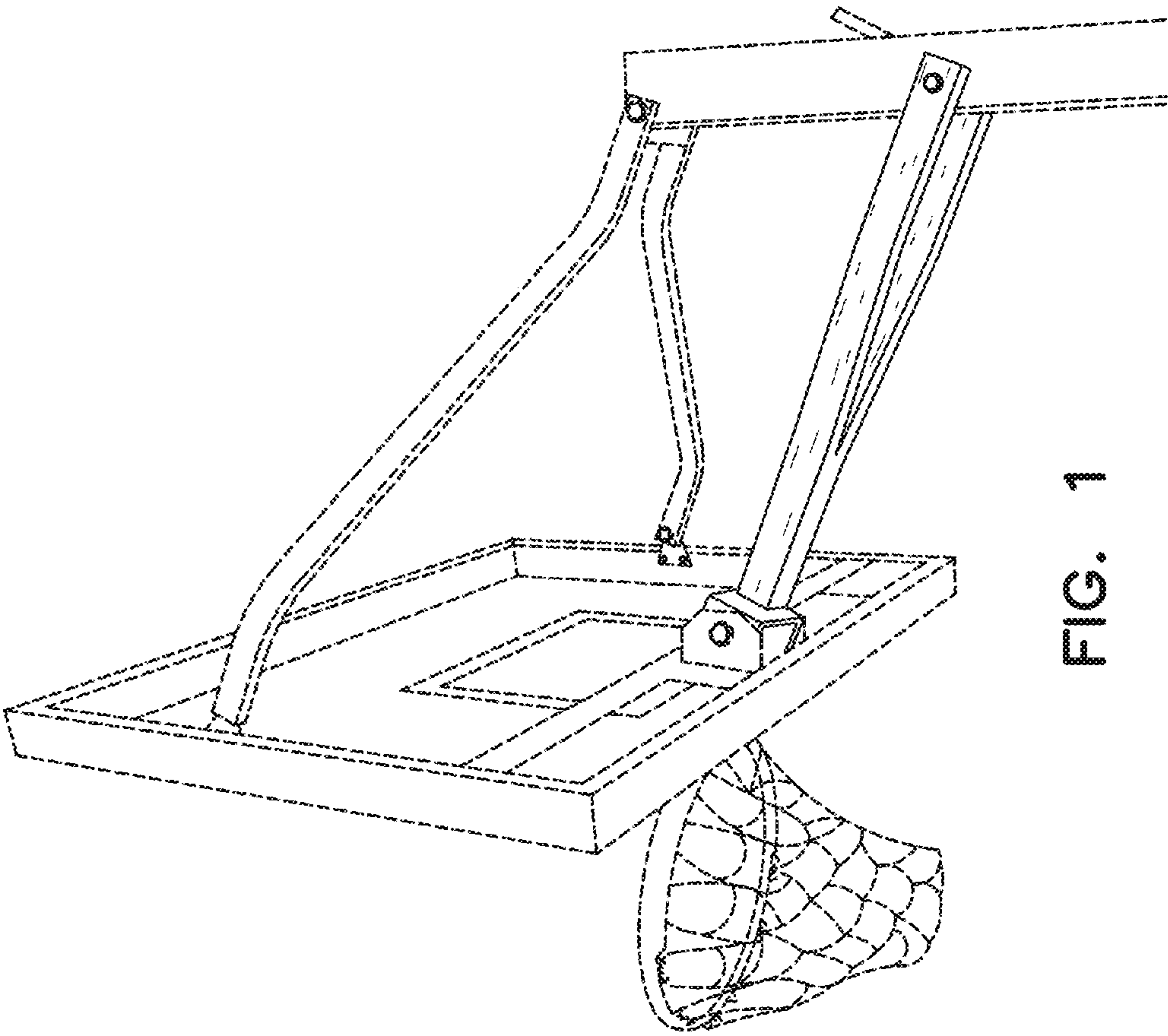


FIG. 1

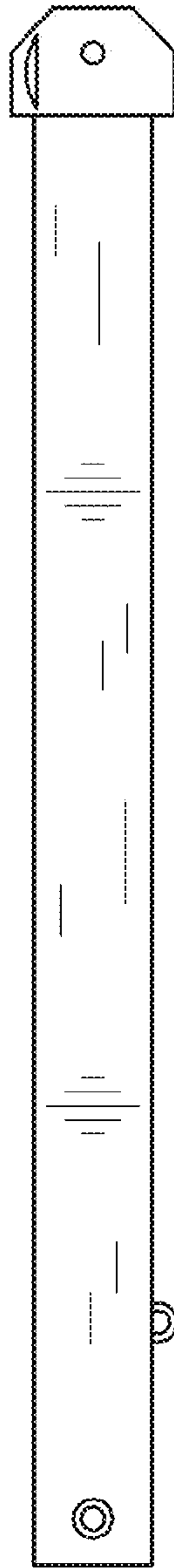


FIG. 2

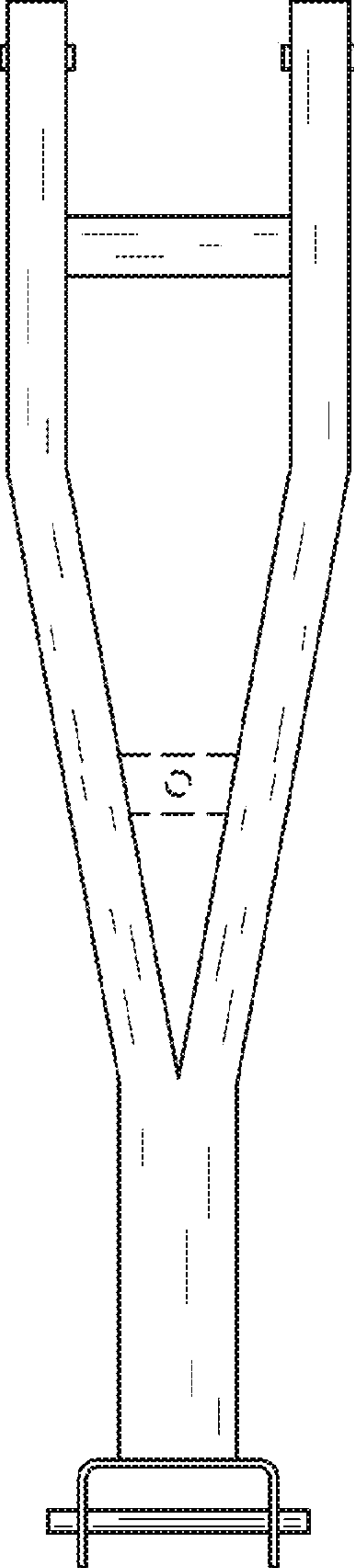


FIG. 3

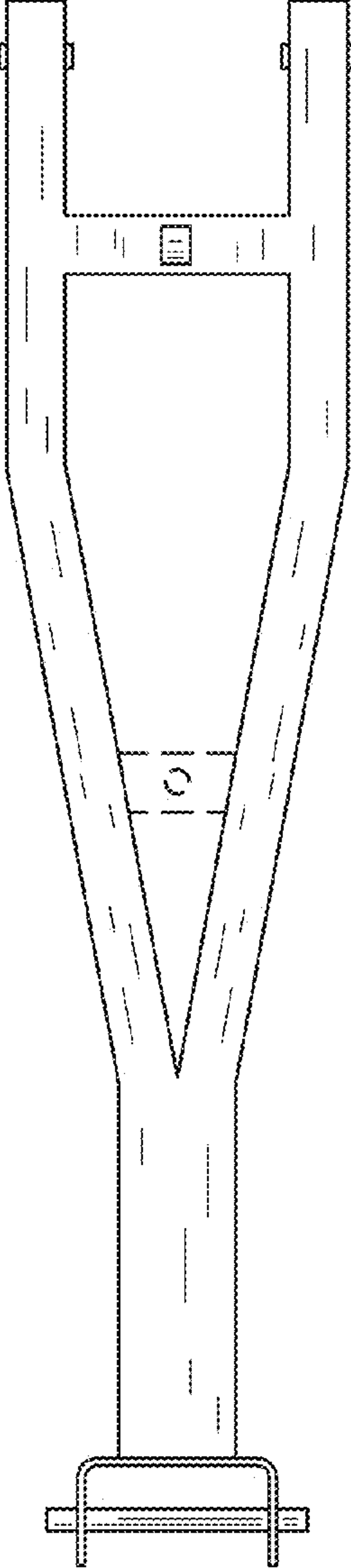


FIG. 4

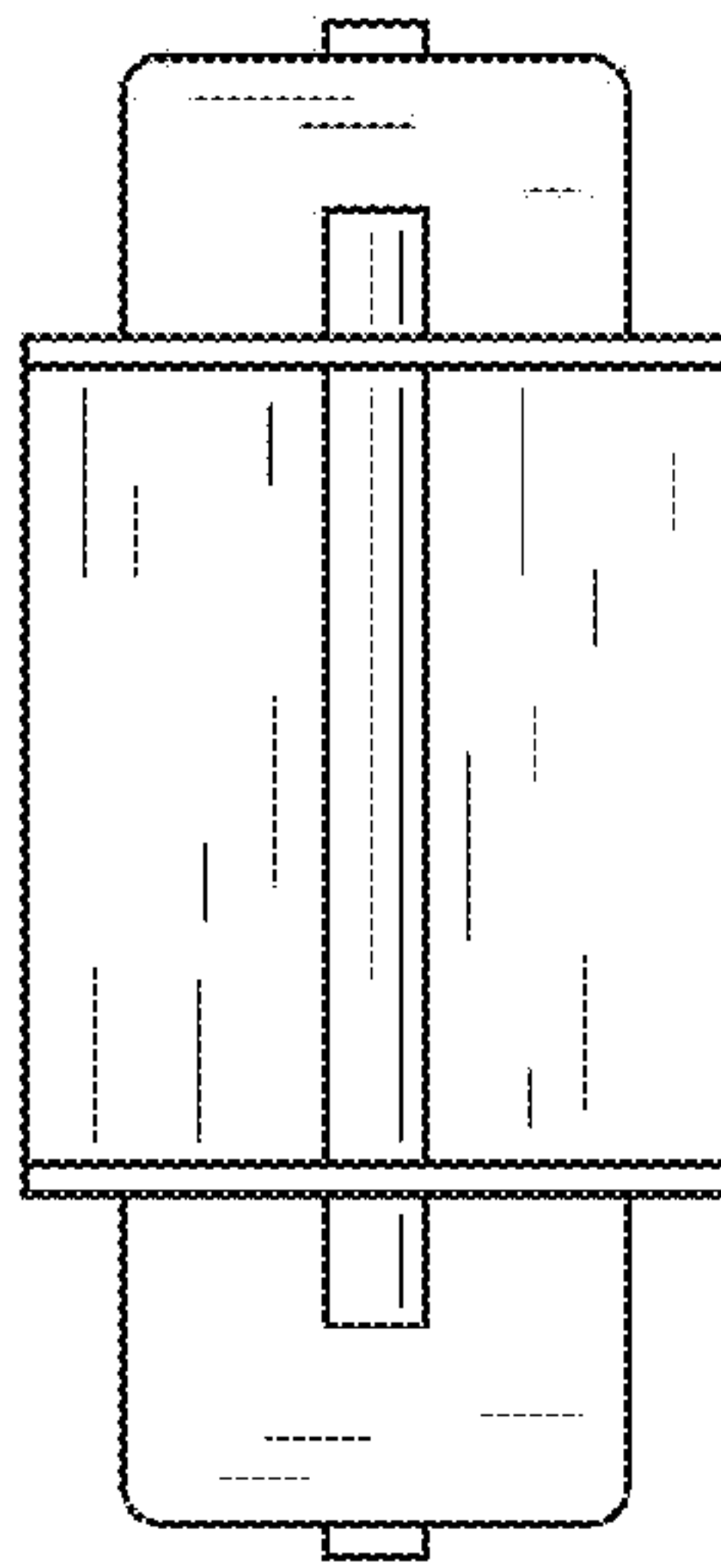


FIG. 5