



US00D745094S

(12) **United States Design Patent**
McGrath et al.

(10) **Patent No.:** **US D745,094 S**

(45) **Date of Patent:** **** Dec. 8, 2015**

- (54) **KITE FLYING DEVICE**
- (71) Applicant: **Castakite LLC**, Monroe, NY (US)
- (72) Inventors: **Peter McGrath**, Fair Lawn, NJ (US);
Robert W. White, Midland Park, NJ (US)
- (73) Assignee: **CASTAKITE LLC**, Monroe, NY (US)
- (**) Term: **14 Years**
- (21) Appl. No.: **29/473,546**
- (22) Filed: **Nov. 22, 2013**
- (51) **LOC (10) Cl.** **21-01**
- (52) **U.S. Cl.**
USPC **D21/453**
- (58) **Field of Classification Search**
USPC D21/445, 446, 453, 454; 244/155 A,
244/155 R, 153 R, 152; 446/31; 242/394,
242/405.3, 613.2, 396.4, 388.8, 395, 396.9,
242/291, 396.7, 423.1, 388.6, 399;
114/253, 242; 74/502
CPC ... A63H 27/08; A63H 27/002; A63H 27/087;
A63H 27/082; B64C 31/06
See application file for complete search history.

(56) **References Cited**

U.S. PATENT DOCUMENTS

- 664,640 A * 12/1900 Huebner 242/397
- 1,028,770 A * 6/1912 Moder 242/396.9
- 2,453,571 A * 11/1948 De Barbieri et al. 74/502
- 2,743,068 A * 4/1956 Walker 242/388.8
- 2,826,377 A * 3/1958 Dauwe 242/395

- 2,896,878 A * 7/1959 Wetzel 242/396.9
- 3,807,672 A * 4/1974 Williams 244/155 A
- D252,887 S * 9/1979 Meyers et al. D21/454
- 4,176,807 A * 12/1979 Kwon 242/394
- 4,596,365 A * 6/1986 Wang 242/396.4
- 6,068,210 A * 5/2000 Risa 242/532.5
- 6,834,607 B1 * 12/2004 Johnson et al. 114/253
- D539,358 S * 3/2007 Shi D21/441
- 2008/0223989 A1 * 9/2008 Mutzenberg 244/155 A
- 2011/0309199 A1 * 12/2011 Hastilow et al. 244/155 A
- 2015/0014486 A1 * 1/2015 Starbuck et al. 244/155 A
- 2015/0108278 A1 * 4/2015 Hackett 244/155 A

* cited by examiner

Primary Examiner — Cynthia Ramirez

Assistant Examiner — Gino Colan

(74) *Attorney, Agent, or Firm* — Law Offices of Michael L. Wise, LLC

(57) **CLAIM**

The ornamental design for a kite flying device, as shown and described.

DESCRIPTION

FIG. 1 is a perspective view of a kite flying device showing our new design;

FIG. 2 is a top plan view thereof;

FIG. 3 is bottom plan view thereof;

FIG. 4 is a left side elevation view thereof;

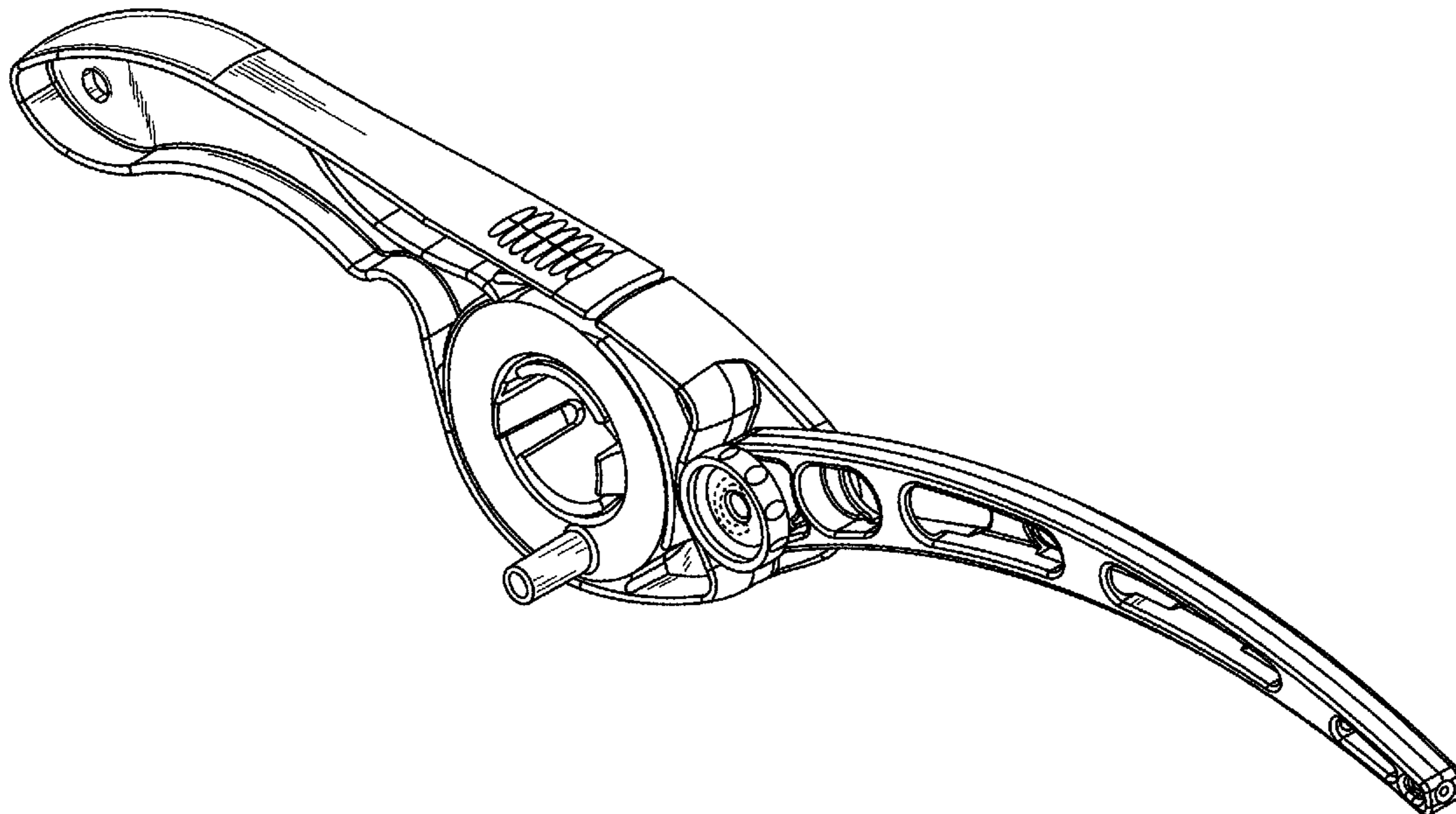
FIG. 5 is a right side elevation view thereof;

FIG. 6 is a rear elevation view thereof; and,

FIG. 7 is a front elevation view thereof.

The broken line shown in the figures are included for the purpose of illustrating portions of the kite flying device and form no part of the claimed design.

1 Claim, 4 Drawing Sheets



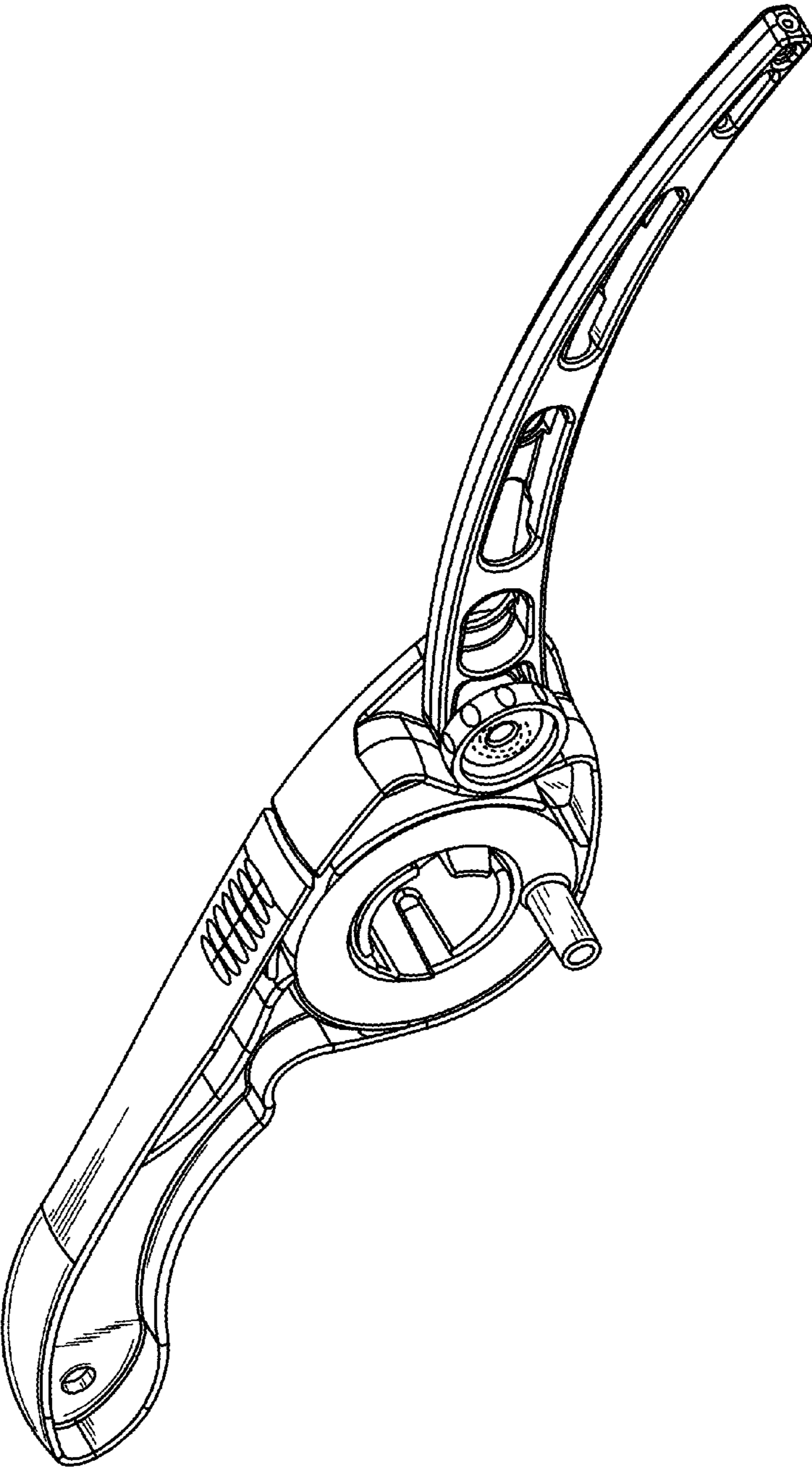


FIG. 1

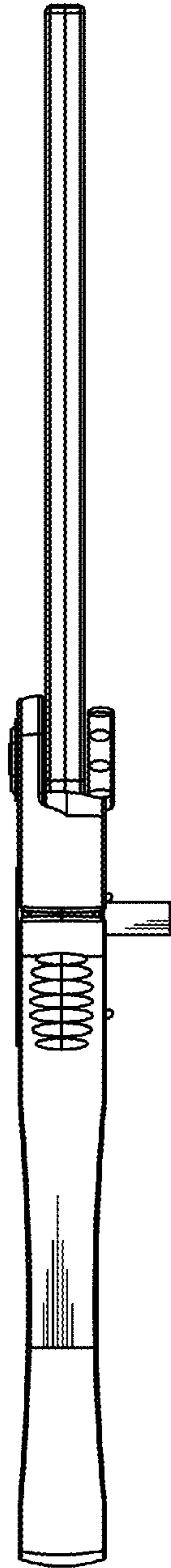


FIG. 2

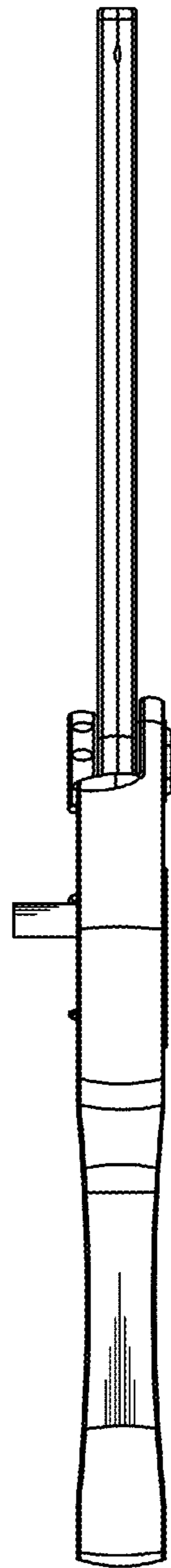


FIG. 3

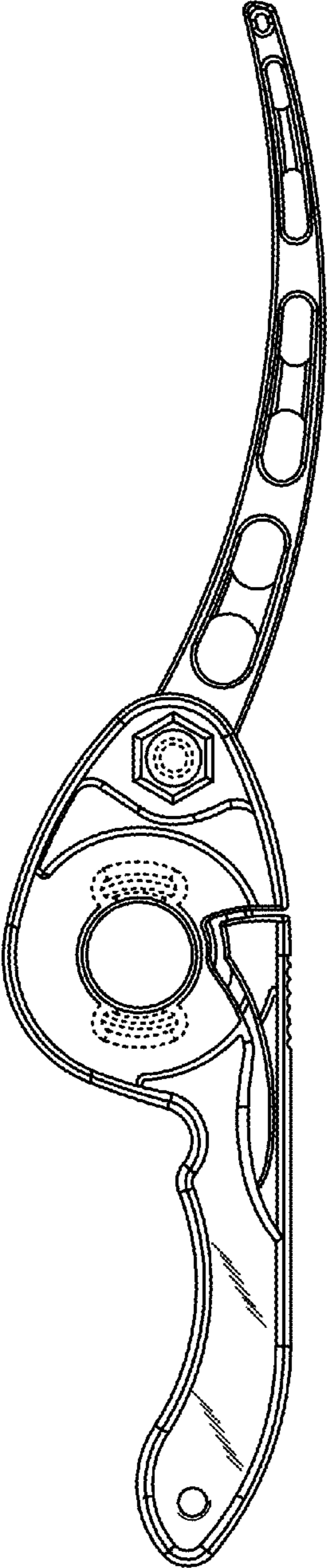


FIG. 4

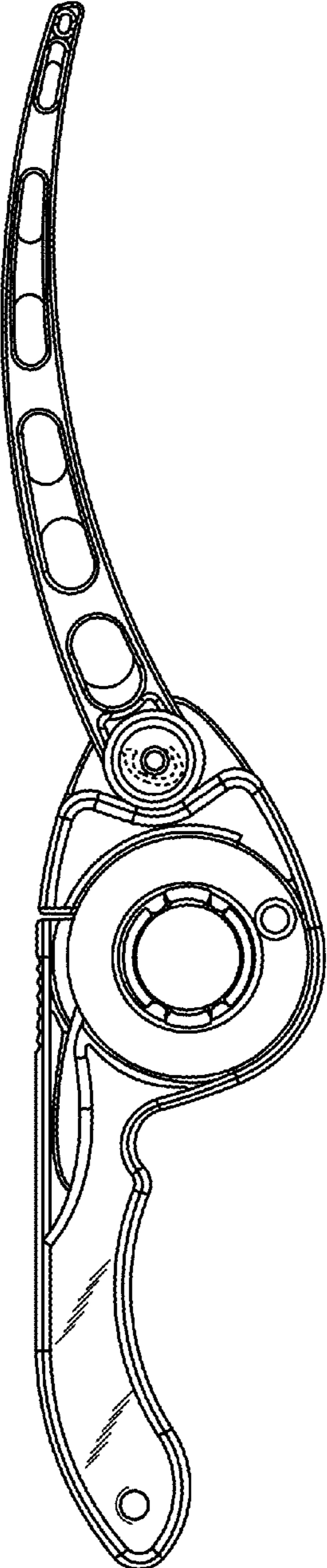


FIG. 5

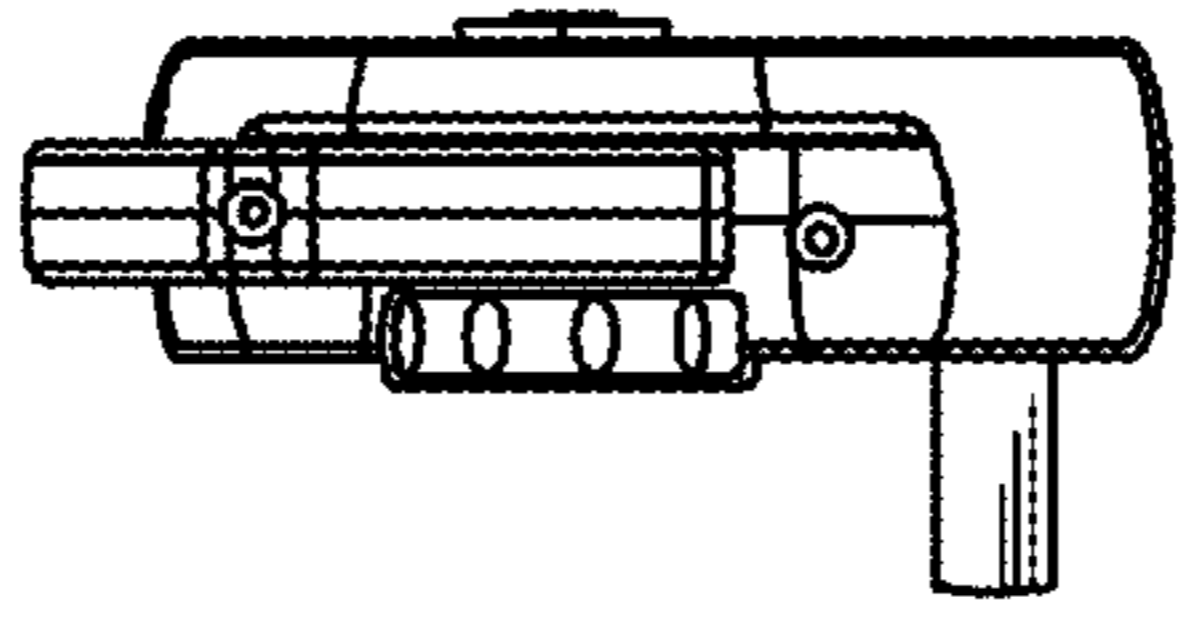


FIG. 7

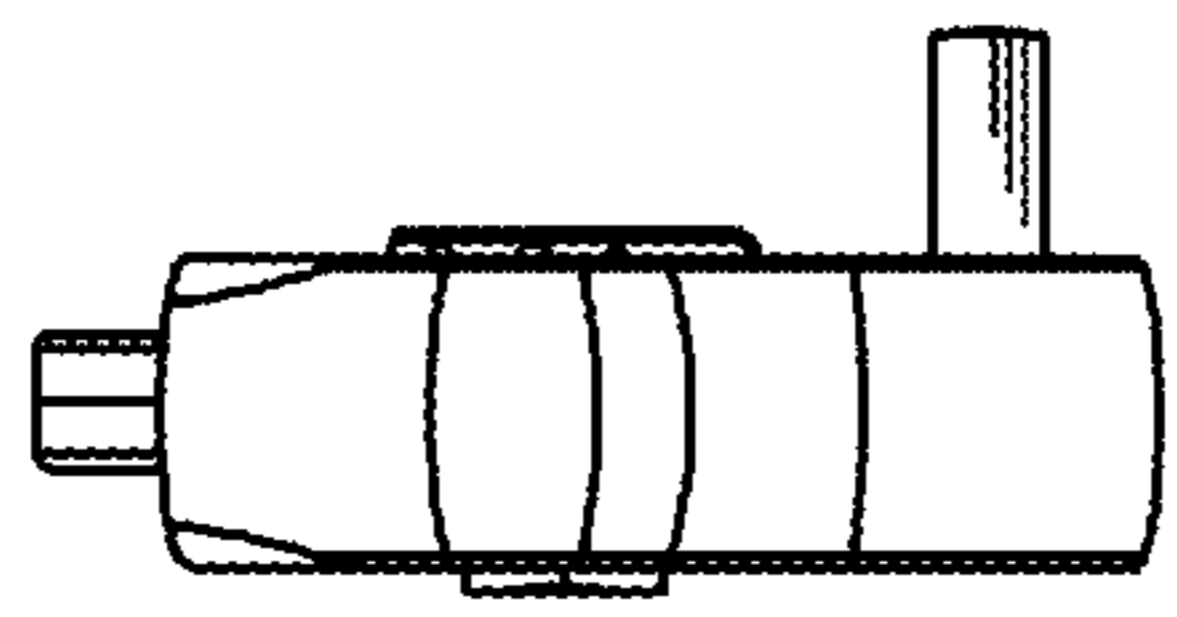


FIG. 6