



US00D745093S

(12) **United States Design Patent**
Weiss et al.

(10) **Patent No.:** **US D745,093 S**
(45) **Date of Patent:** **** Dec. 8, 2015**

(54) **GAMING MACHINE WITH A TOP BOX**

D470,895 S * 2/2003 Cole D21/325
D568,115 S * 5/2008 Trogerman D21/370
8,382,110 B2 * 2/2013 Smith G07F 17/34
463/46

(71) Applicant: **AGS, LLC**, Las Vegas, NV (US)

(72) Inventors: **Steven A. Weiss**, Las Vegas, NV (US);
Tawana Dete, Las Vegas, NV (US);
Ryan Hansen, Las Vegas, NV (US)

* cited by examiner

Primary Examiner — Sandra Morris

(74) *Attorney, Agent, or Firm* — Weide & Miller, Ltd.

(73) Assignee: **AGS, LLC**, Las Vegas, NV (US)

(57) **CLAIM**

(**) Term: **14 Years**

The ornamental design for a gaming machine with a top box,
as shown and described.

(21) Appl. No.: **29/503,584**

DESCRIPTION

(22) Filed: **Sep. 26, 2014**

(51) **LOC (10) Cl.** **21-03**

(52) **U.S. Cl.**
USPC **D21/370**

(58) **Field of Classification Search**
USPC D21/325, 329, 331, 354, 369–375;
D14/302, 304–307; 273/156, 268, 274;
463/17, 20, 46–47
CPC . G07F 17/32; G07F 17/3211; G07F 17/3216;
G07F 17/332; G07F 17/3272–17/3283
See application file for complete search history.

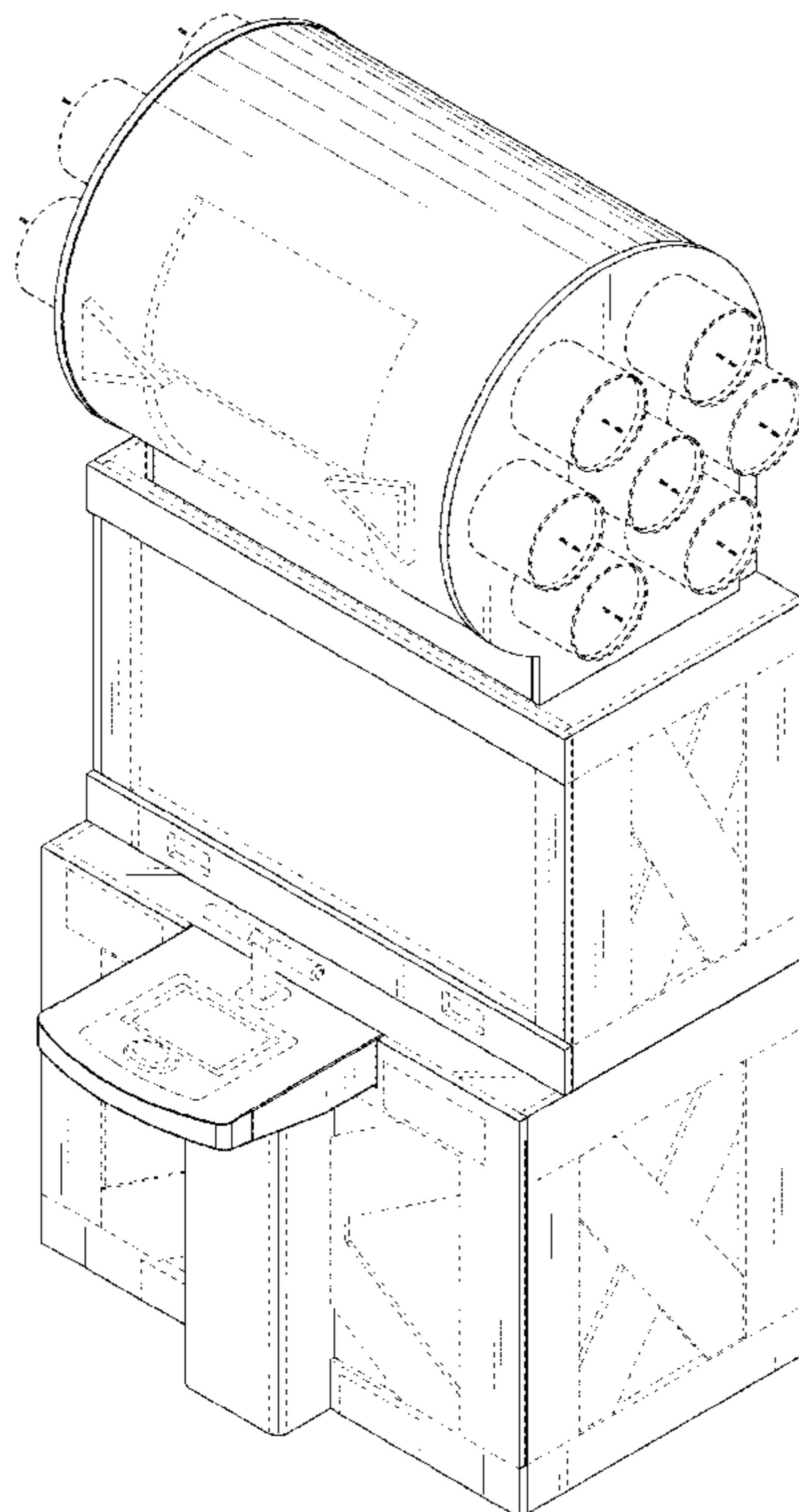
FIG. 1 is a front isometric view of a gaming machine with a top box in accordance with the present invention;
FIG. 2 is a plan view of the top of the gaming machine with a top box illustrated in FIG. 1;
FIG. 3 is a plan view of the front of the gaming machine with a top box illustrated in FIG. 1;
FIG. 4 is a plan view of the first side of the gaming machine with a top box illustrated in FIG. 1;
FIG. 5 is a plan view of the second side of the gaming machine with a top box illustrated in FIG. 1;
FIG. 6 is a plan view of the back of the gaming machine with a top box illustrated in FIG. 1; and,
FIG. 7 is a plan view of the bottom of the gaming machine with a top box illustrated in FIG. 1.
The portions of the design shown in dotted line are for illustrative purposes only, and form no part of the claimed design.

(56) **References Cited**

U.S. PATENT DOCUMENTS

D421,631 S * 3/2000 Tsuda D21/329
D455,792 S * 4/2002 Isetani D21/329
D460,123 S * 7/2002 Seelig D21/370

1 Claim, 3 Drawing Sheets



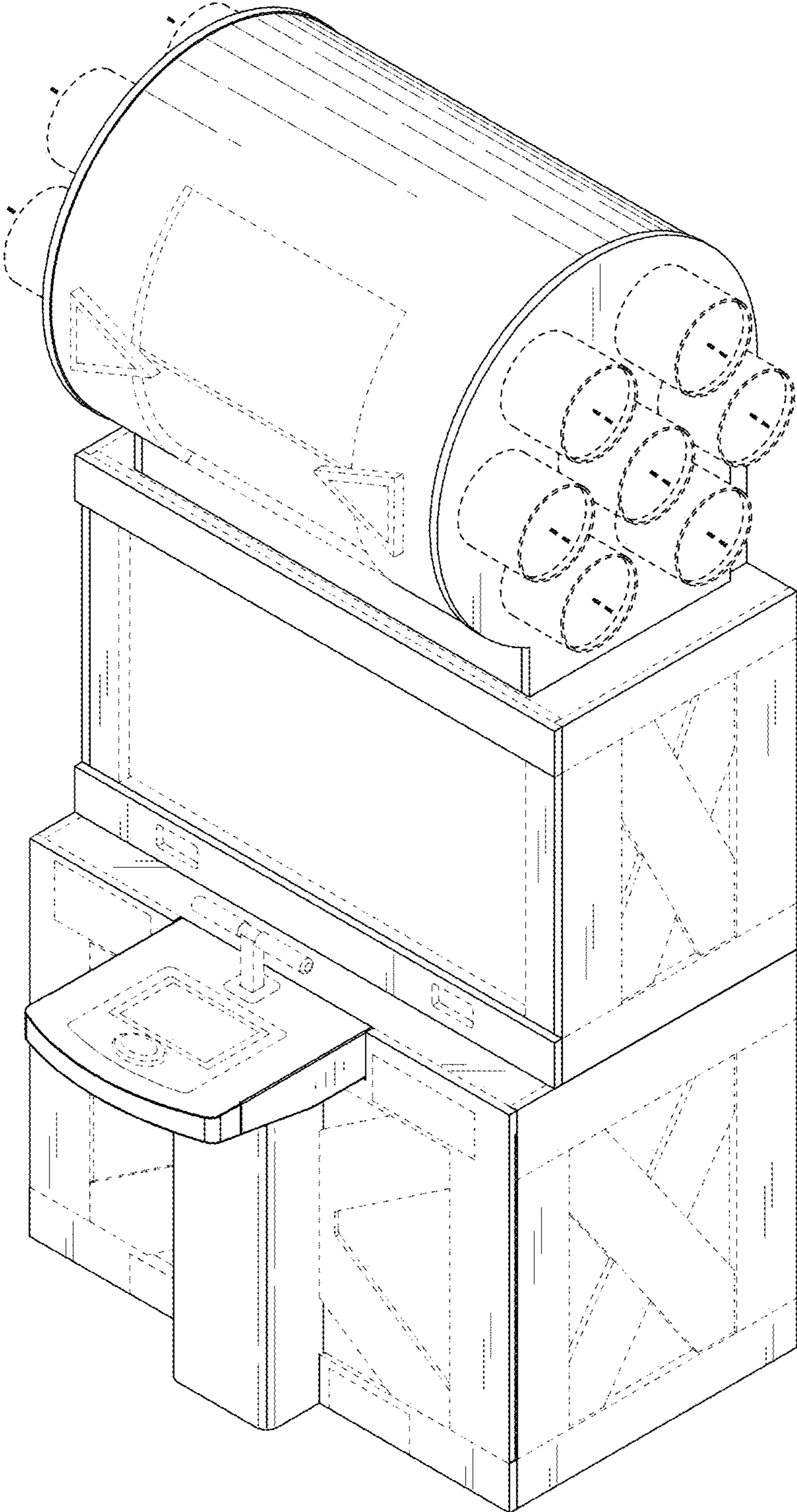


FIG. 1

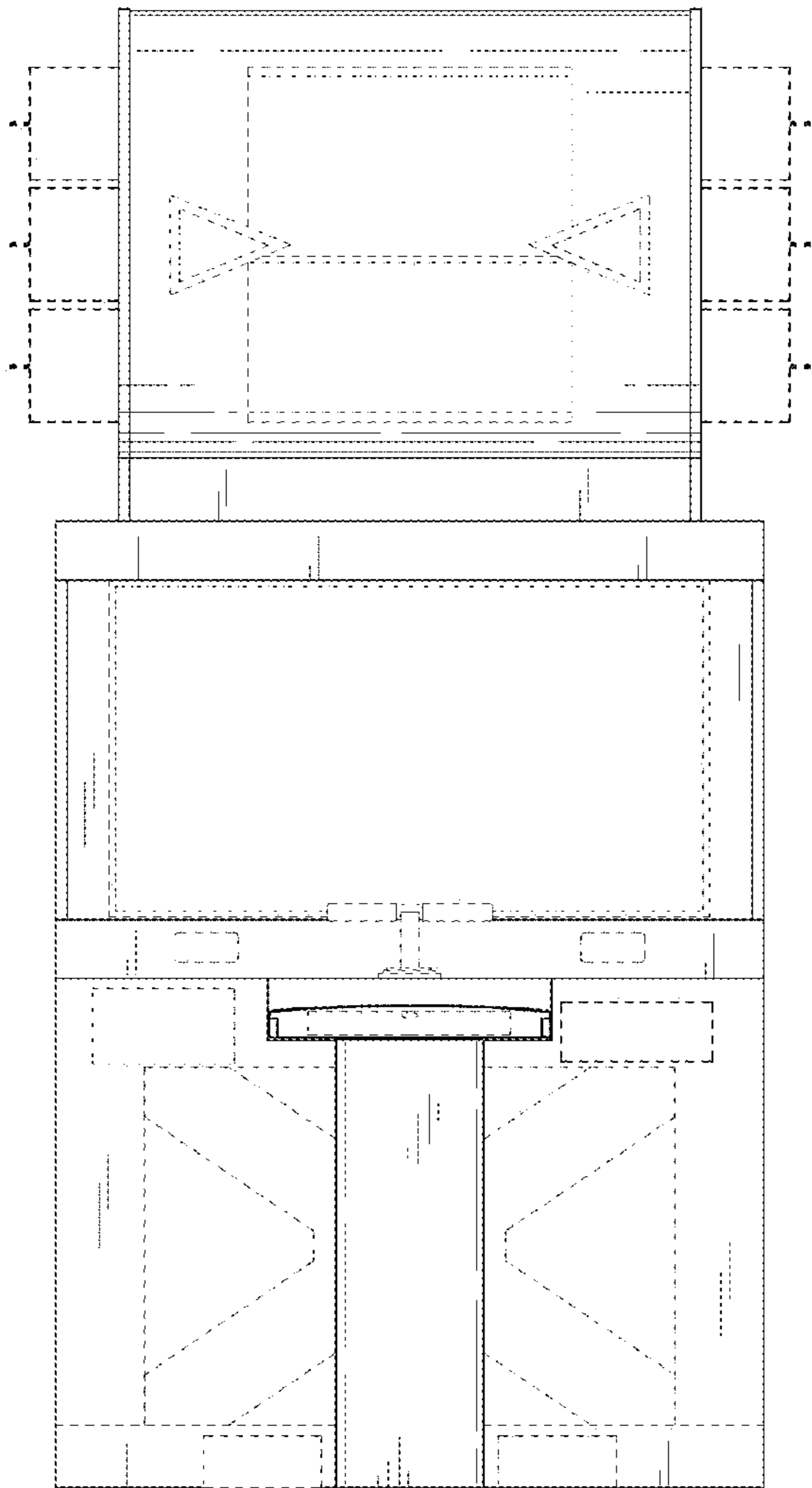
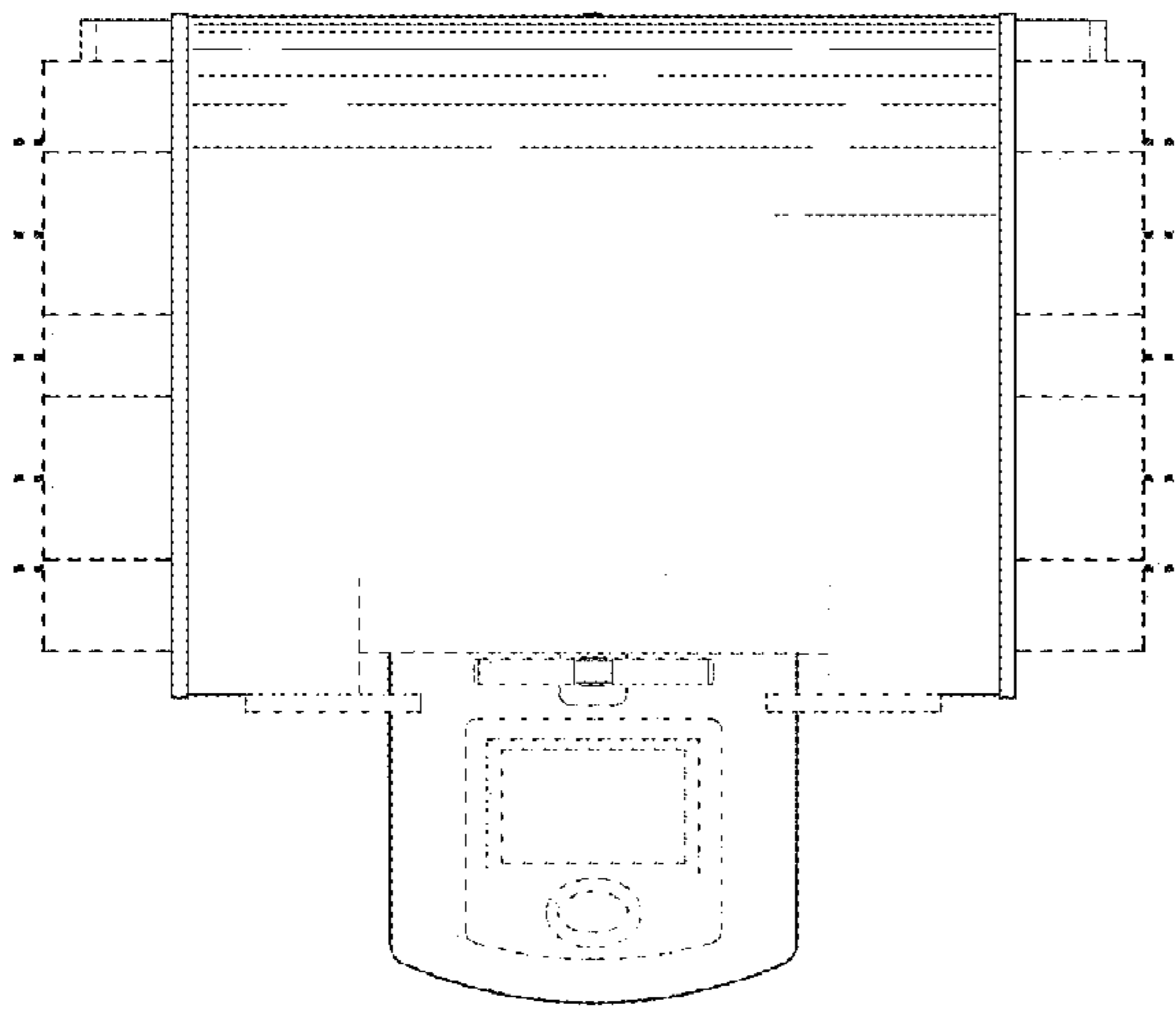


FIG. 3

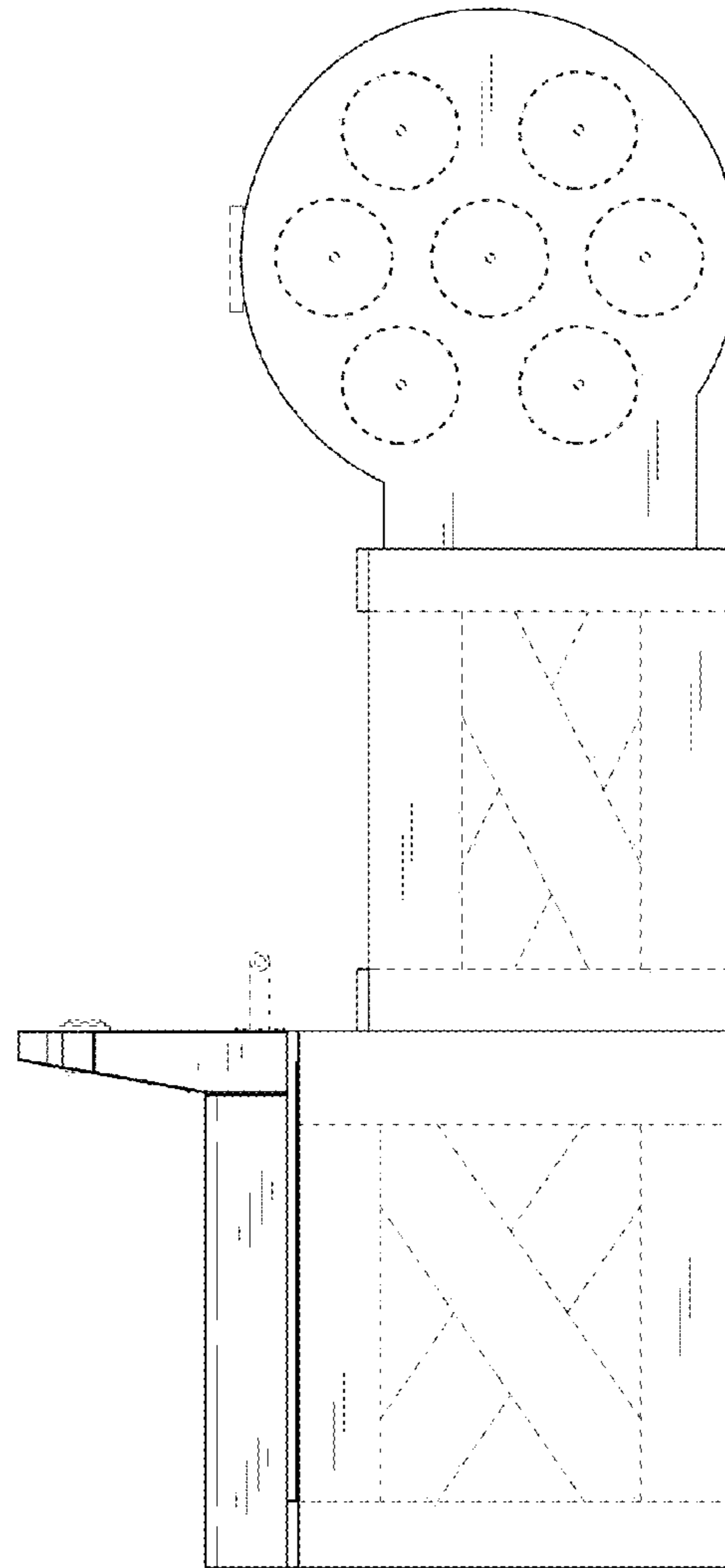


FIG. 4

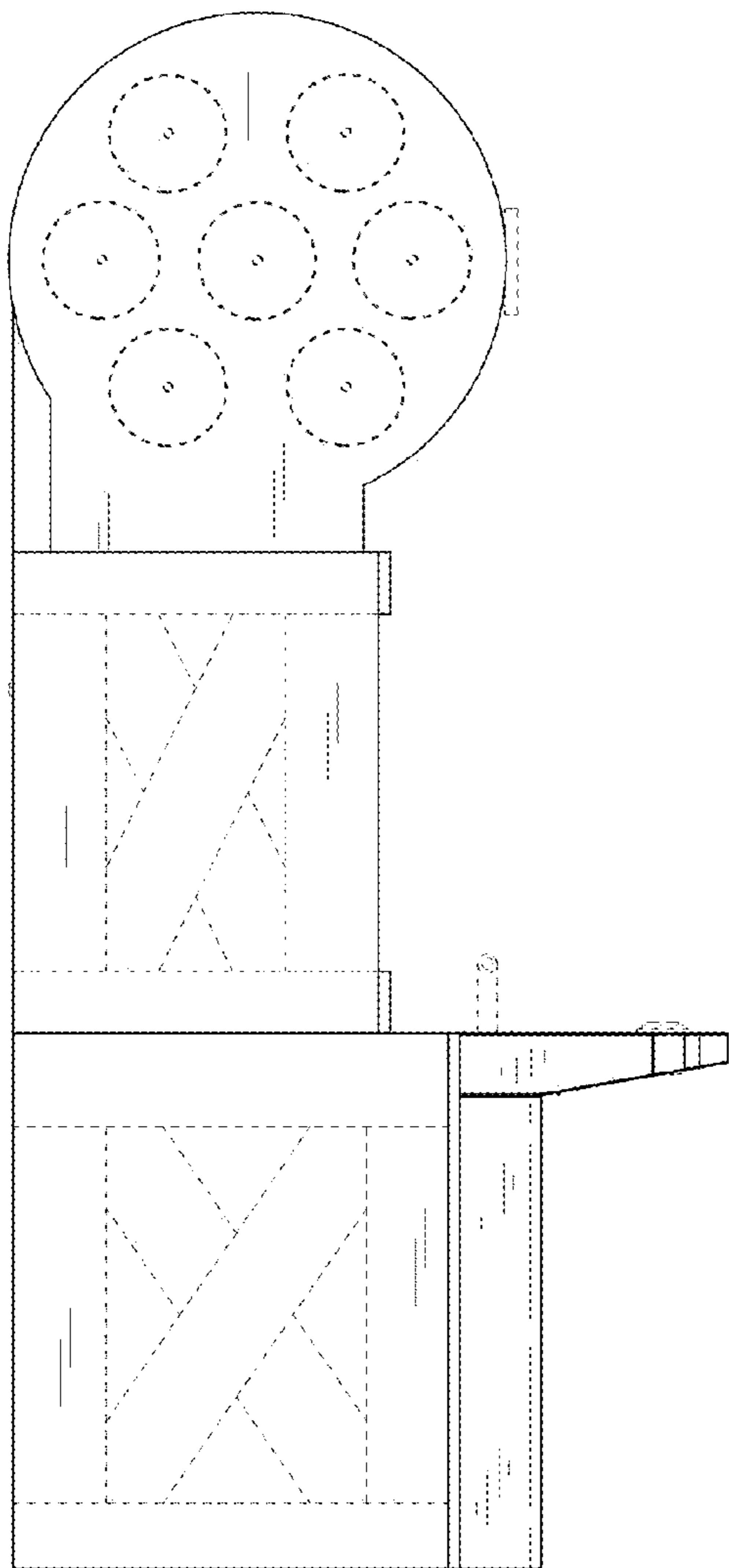


FIG. 5

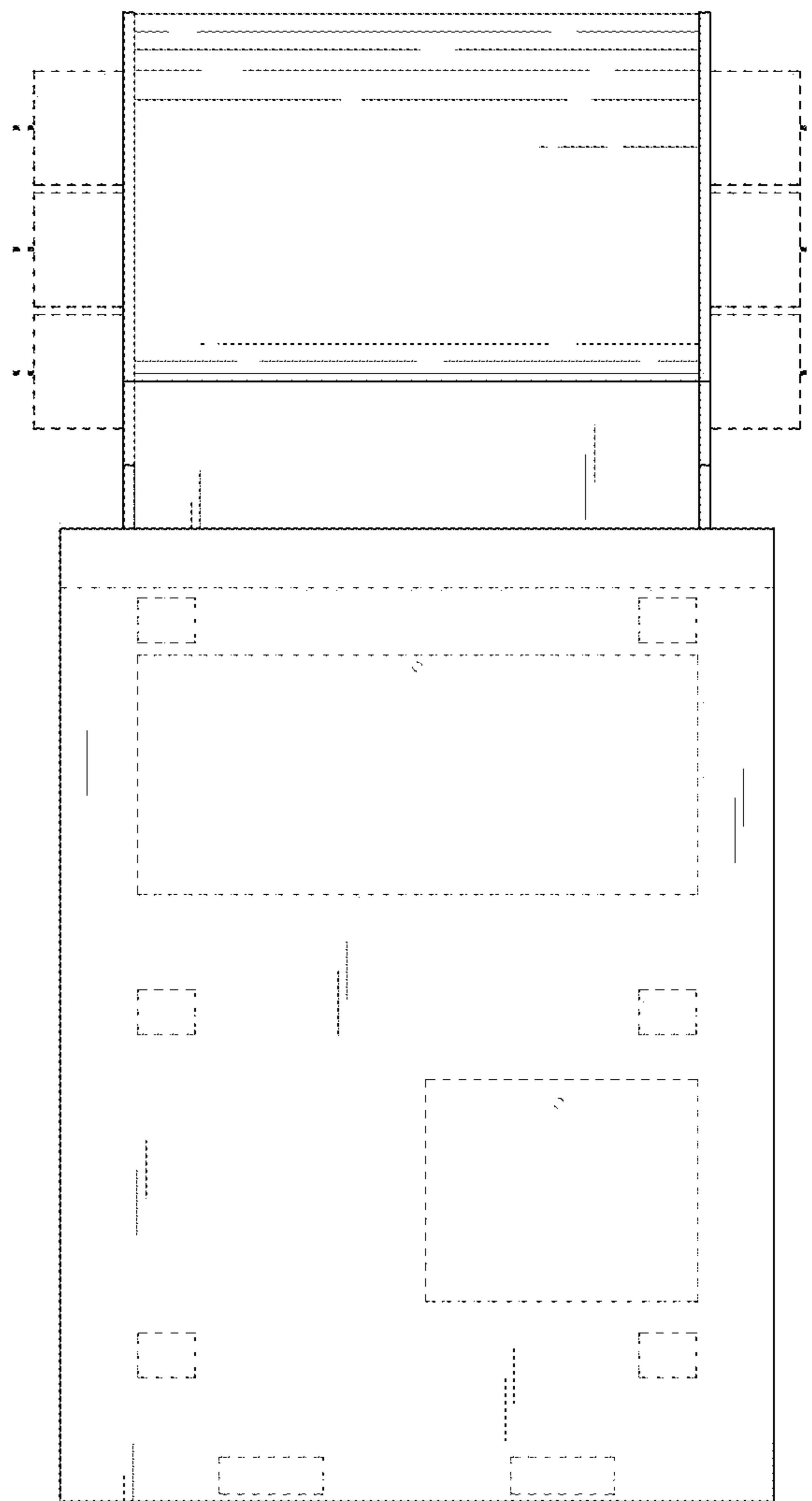


FIG. 6

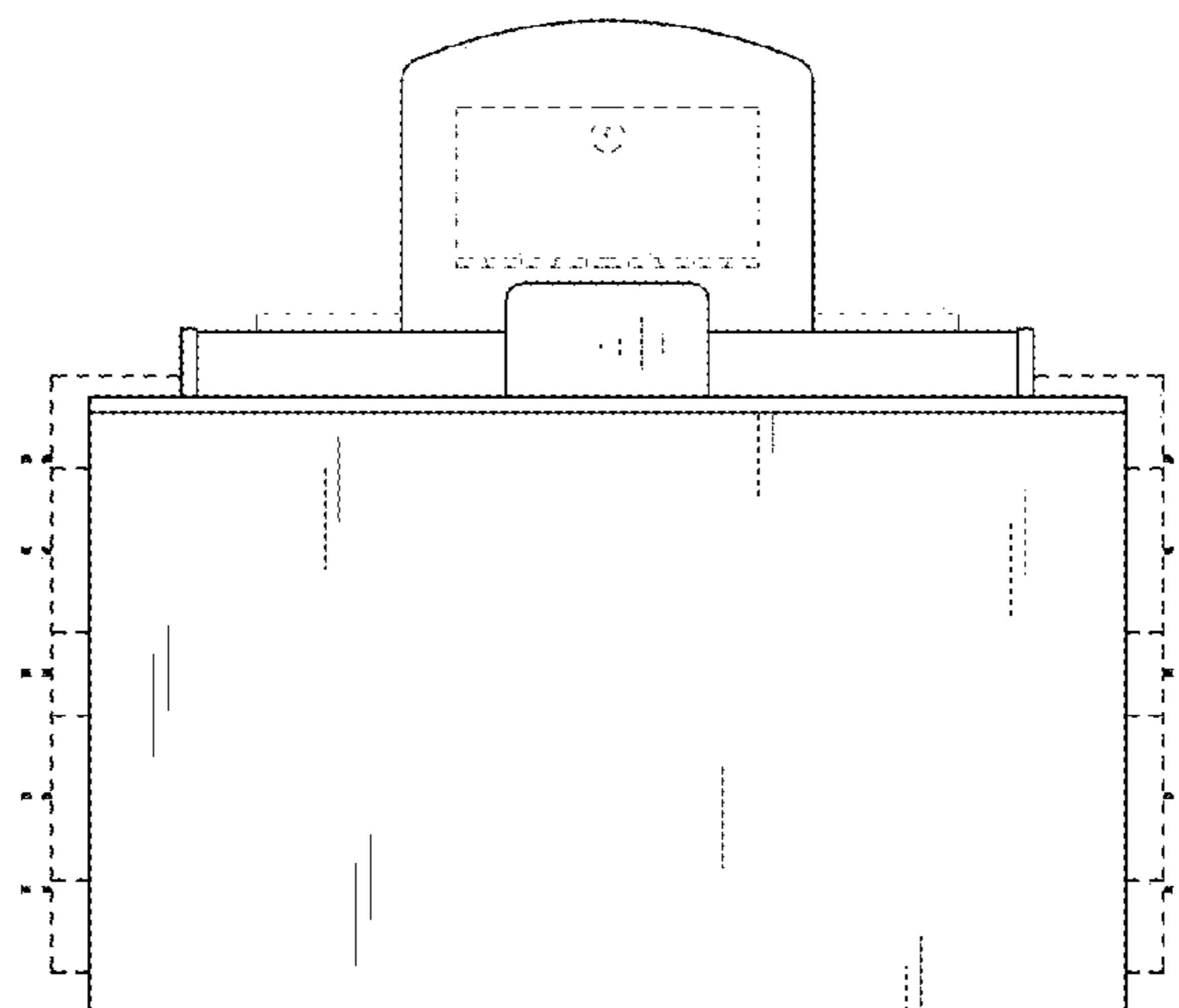


FIG. 7