



US00D745090S

(12) **United States Design Patent**
Cheng

(10) **Patent No.:** **US D745,090 S**

(45) **Date of Patent:** **** Dec. 8, 2015**

(54) **SATURN-SHAPED PEN CLIP**

(71) Applicant: **Dido Cheng**, Taipei (TW)

(72) Inventor: **Dido Cheng**, Taipei (TW)

(**) Term: **14 Years**

(21) Appl. No.: **29/499,157**

(22) Filed: **Aug. 12, 2014**

(51) **LOC (10) Cl.** **19-06**

(52) **U.S. Cl.**
USPC **D19/196**

(58) **Field of Classification Search**
USPC D8/98, 99; D14/411; D19/115-204;
D28/7

CPC B43K 5/005; B43K 7/00; B43K 7/01;
B43K 7/10; B43K 7/12; B43K 19/00; B43K
19/02; B43K 8/04

See application file for complete search history.

(56) **References Cited**

U.S. PATENT DOCUMENTS

D39,989	S	*	5/1909	Duryea	D19/56
1,407,474	A	*	2/1922	Nielsen	24/11 P
1,662,073	A	*	3/1928	Mays	24/11 P
1,717,001	A	*	6/1929	Benson	24/11 P
D83,673	S	*	3/1931	Esterow	D19/56
D84,139	S	*	5/1931	Gold	D19/56
D86,767	S	*	4/1932	Esterow	D19/56
1,863,016	A	*	6/1932	Krause	24/11 R
2,215,084	A	*	9/1940	Neal	401/88
4,300,887	A	*	11/1981	Riemer	434/132
D281,983	S	*	12/1985	Yasufuku	D19/61
D305,552	S	*	1/1990	Itoh	D19/195

D416,044	S	*	11/1999	Martin	D19/61
D419,456	S	*	1/2000	Ho	D10/10
D464,677	S	*	10/2002	Chan	D19/61
D464,678	S	*	10/2002	Chan	D19/61
D537,877	S	*	3/2007	Bickert	D19/184
D539,345	S	*	3/2007	Bickert et al.	D19/137
D675,278	S	*	1/2013	Pennington	D22/108
D680,295	S	*	4/2013	Pennington	D99/28

* cited by examiner

Primary Examiner — Elizabeth Albert

(74) *Attorney, Agent, or Firm* — Muncy, Geissler, Olds & Lowe, P.C.

(57) **CLAIM**

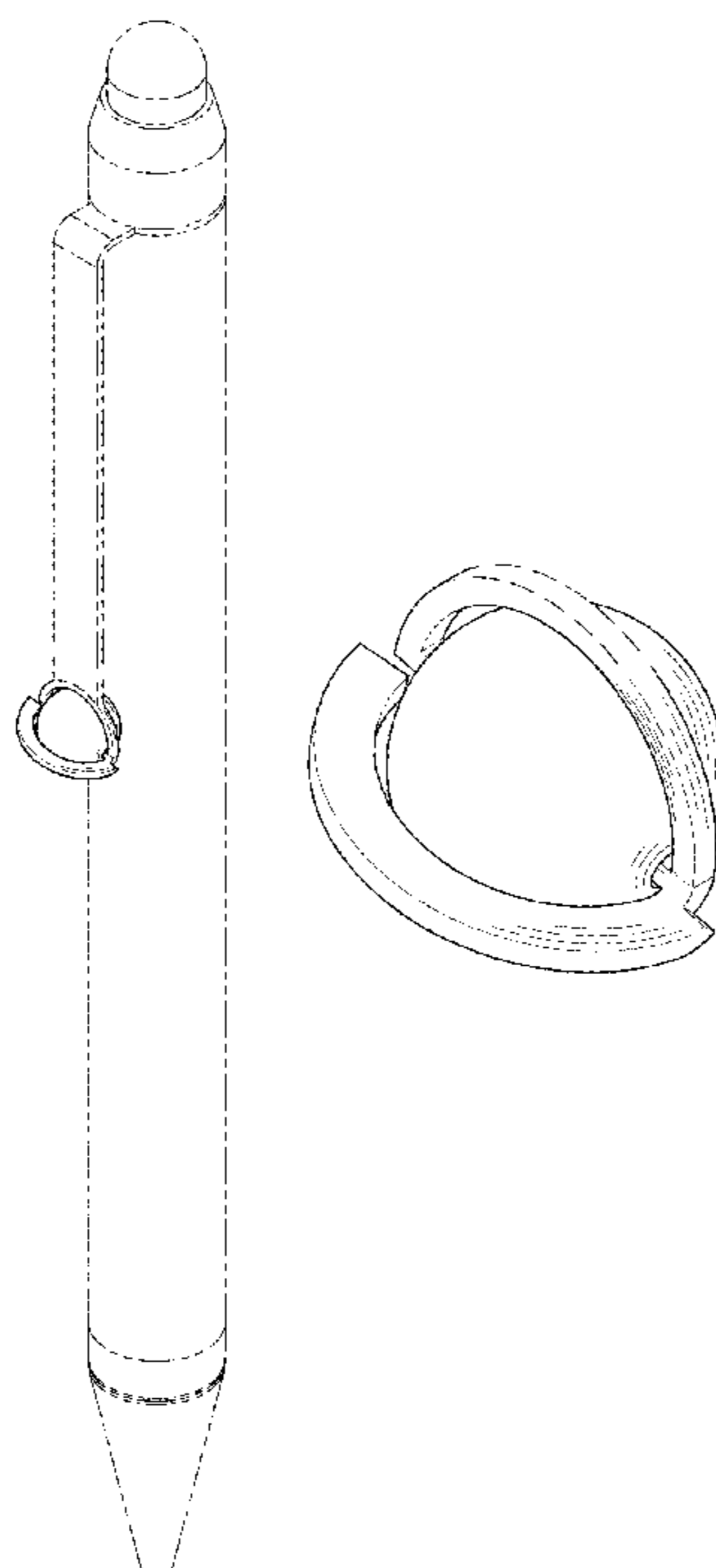
The ornamental design for a Saturn-shaped pen clip, as shown and described.

DESCRIPTION

FIG. 1 is a top plan view of the Saturn-shaped pen clip; FIG. 2 is a front elevational view thereof; FIG. 3 is a bottom elevational view thereof; FIG. 4 is a left side elevational view thereof; FIG. 5 is a right side elevational view thereof; FIG. 6 is a rear elevational view thereof; FIG. 7 is a right, perspective view thereof; FIG. 8 is another perspective view thereof; and, FIG. 9 is a front, right perspective view of the Saturn-shaped portion; the rear, left perspective view being a mirror image thereof.

The evenly spaced broken lines at the attachment portion that define the bounds of the claimed design form no part thereof. The two short alternating with one long broken lines in the drawings illustrate environment and form no part of the claimed design.

1 Claim, 5 Drawing Sheets



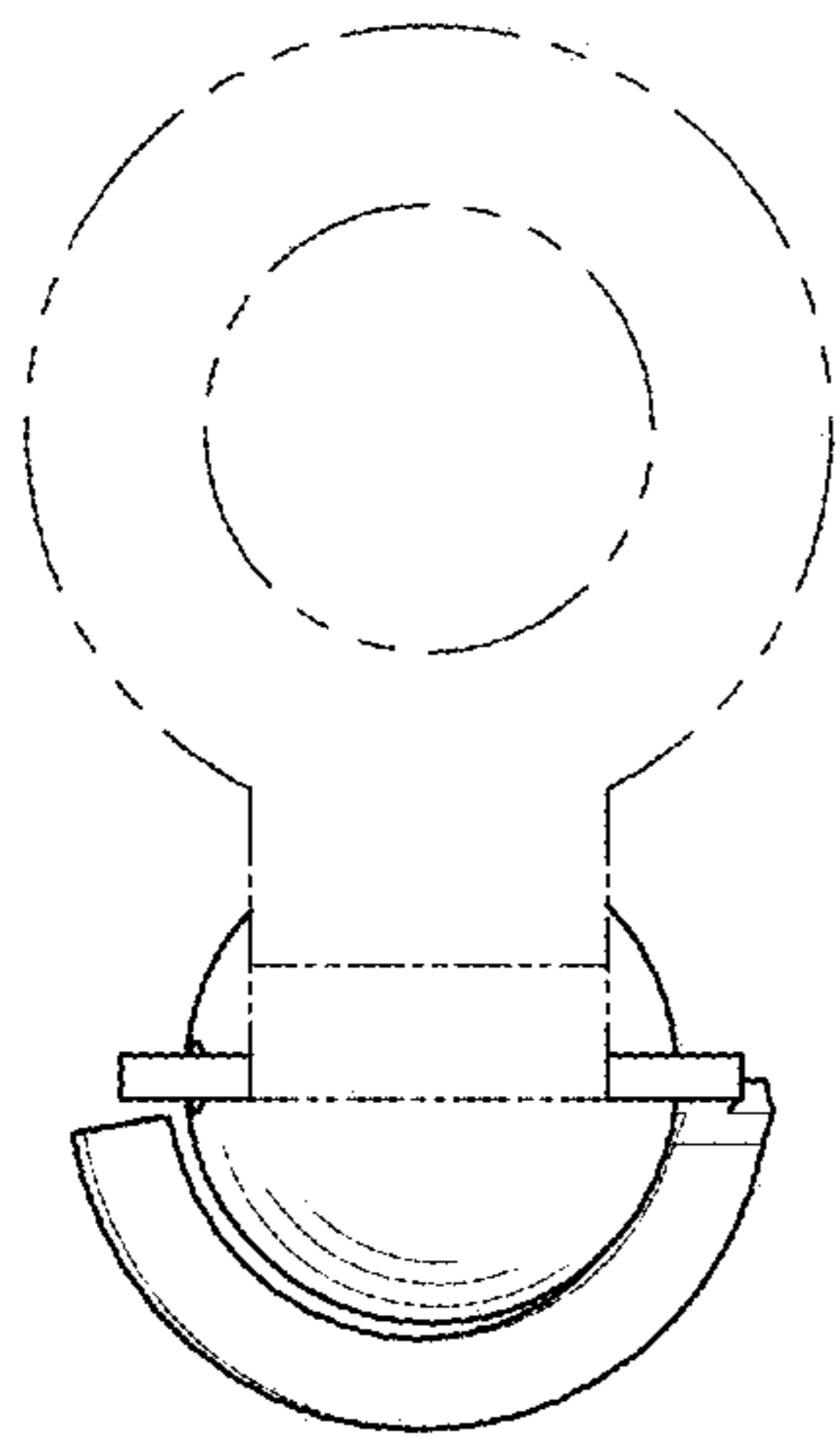


FIG. 1

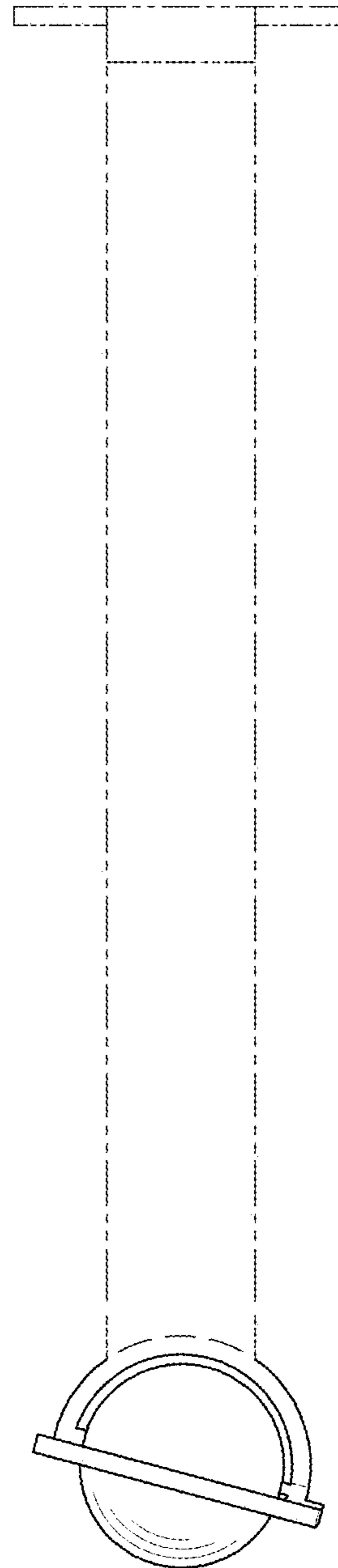


FIG. 2

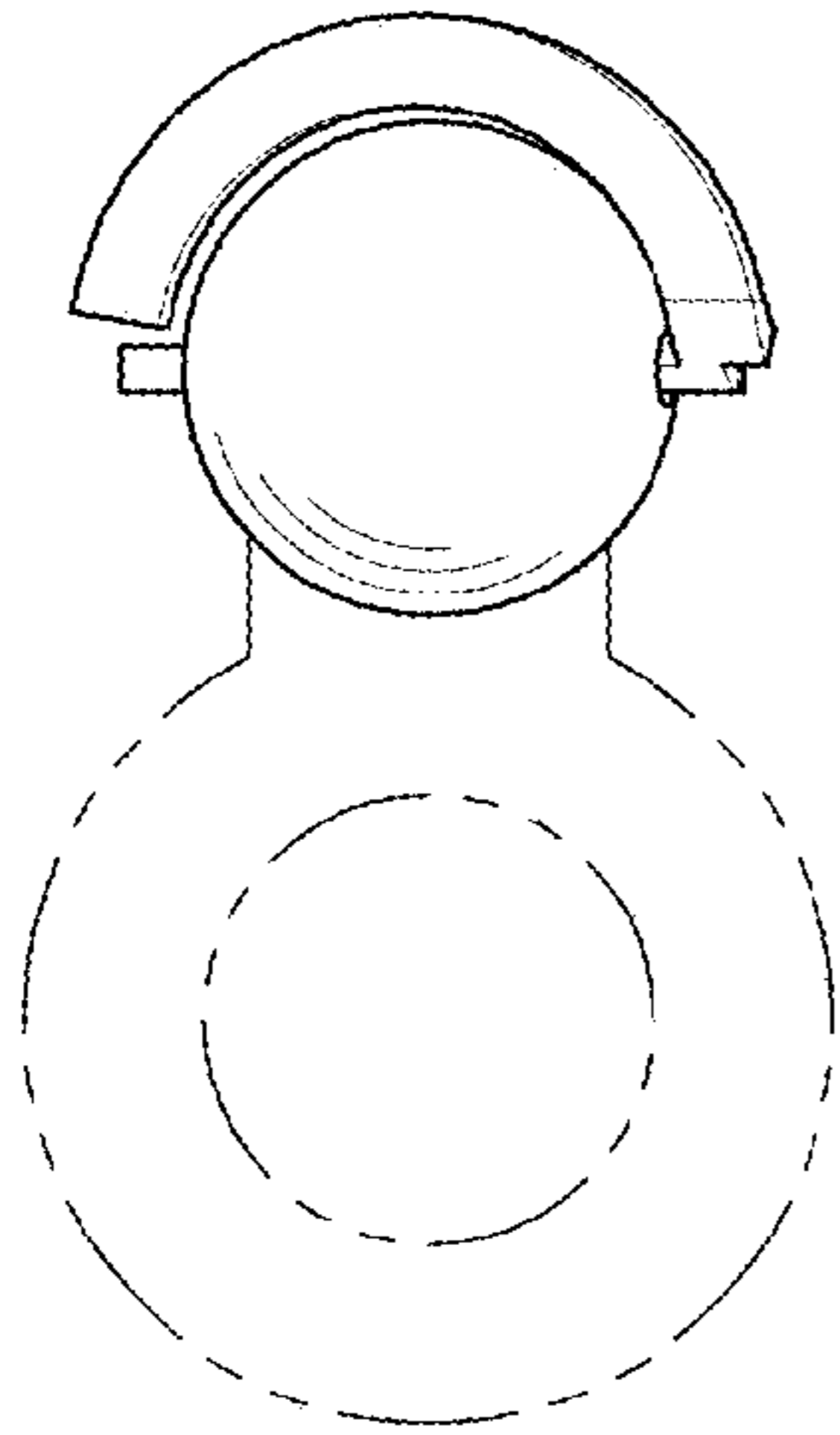


FIG. 3

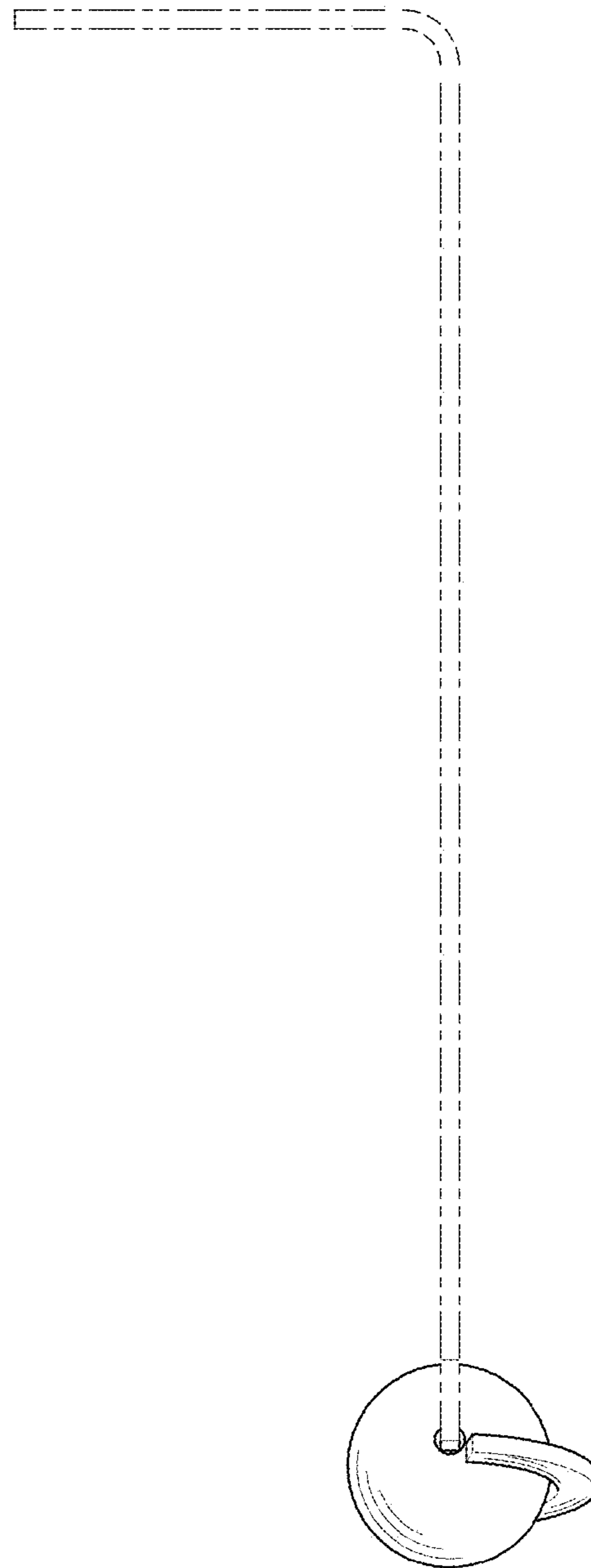


FIG. 4

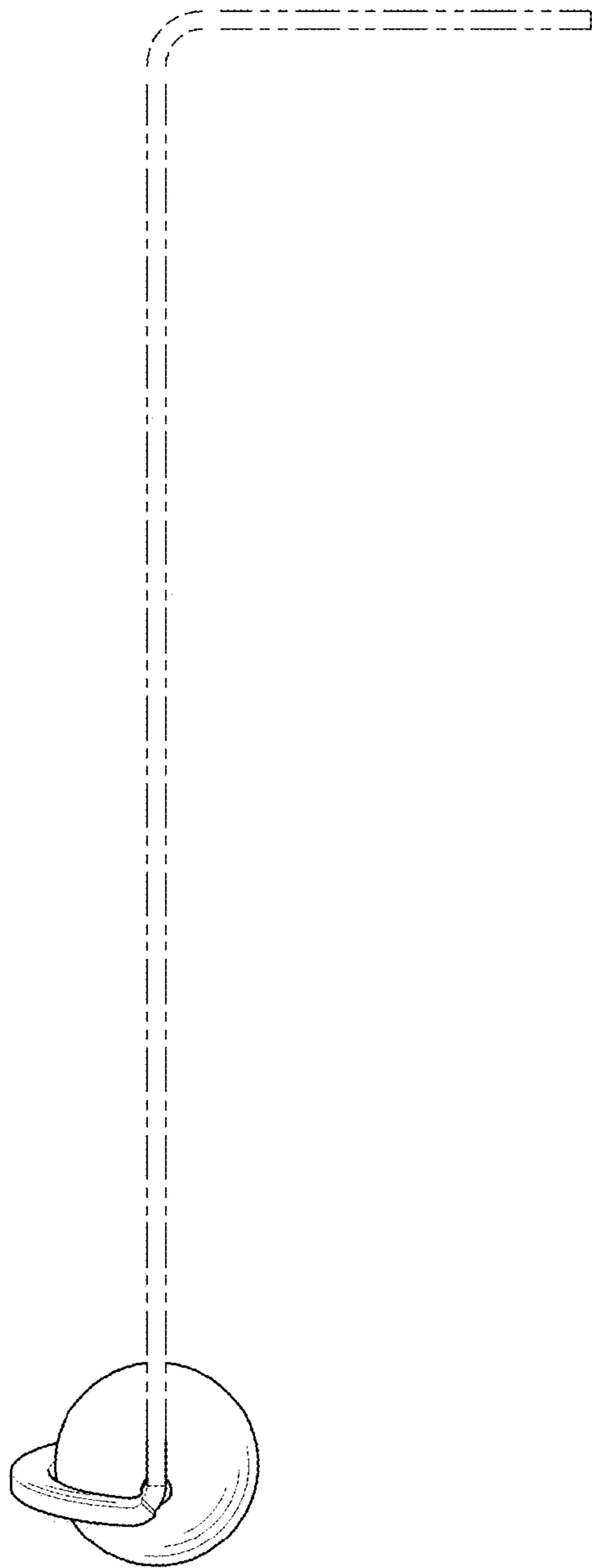


FIG. 5

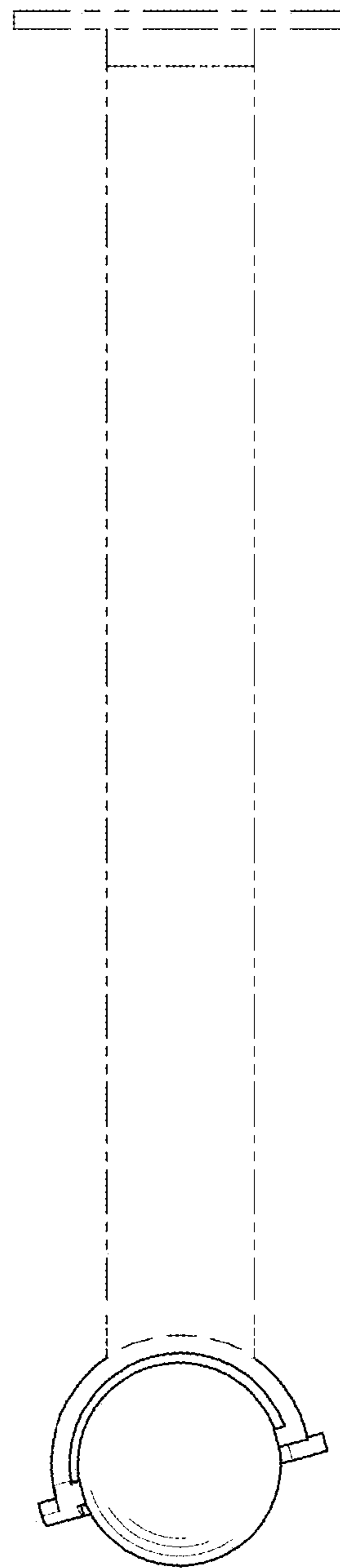


FIG. 6

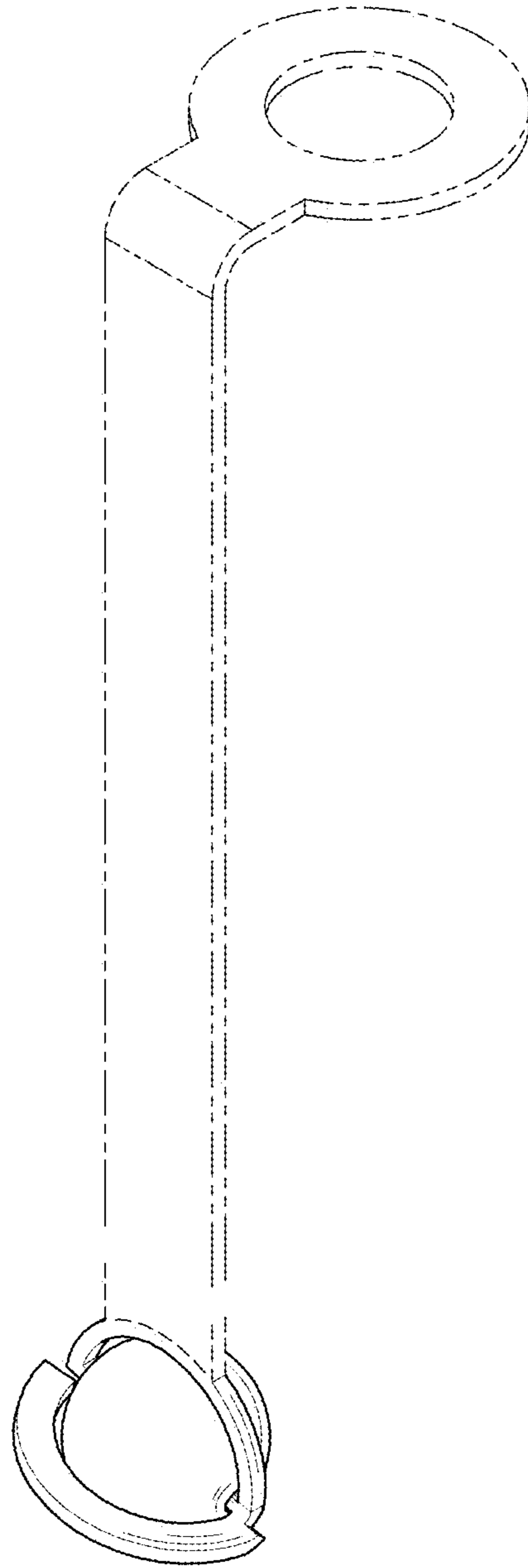


FIG. 7

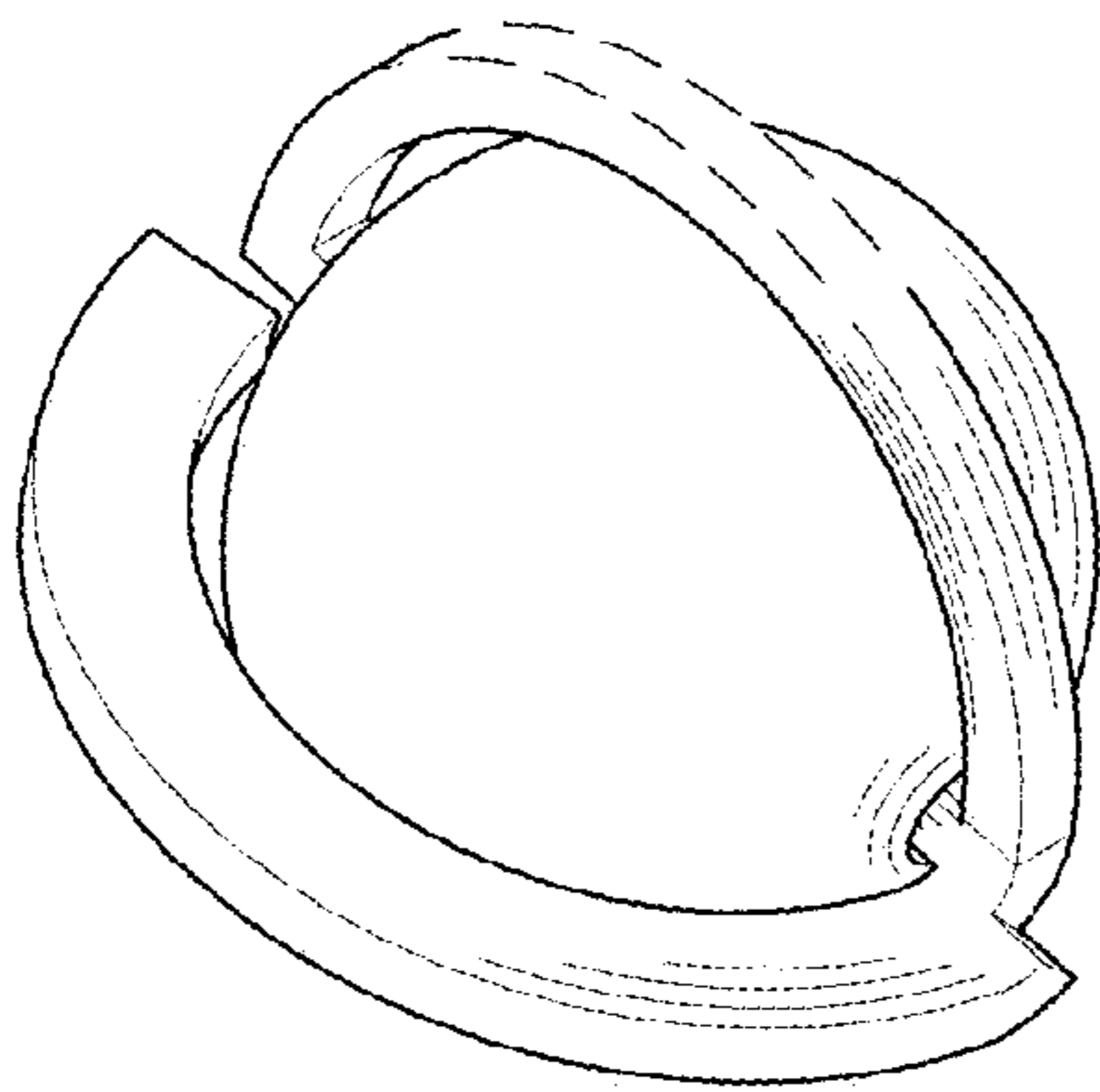


FIG. 9

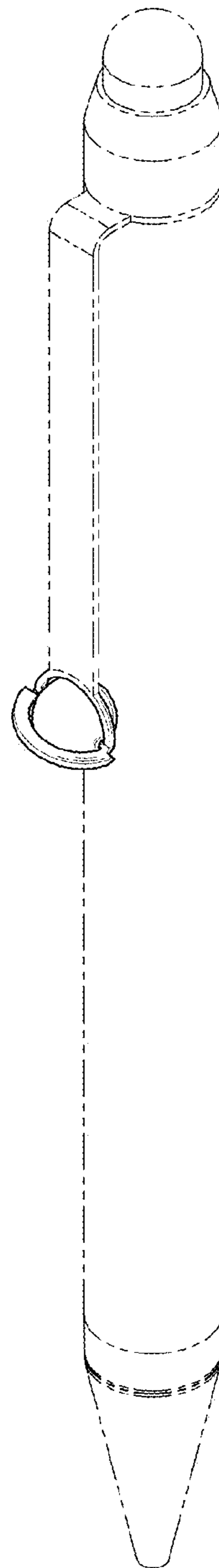


FIG. 8