



US00D745089S

(12) **United States Design Patent**
Cohen

(10) **Patent No.:** **US D745,089 S**
(45) **Date of Patent:** **** Dec. 8, 2015**

- (54) **COMBINATION STYLUS PEN**
- (71) Applicant: **Harris Cohen**, San Diego, CA (US)
- (72) Inventor: **Harris Cohen**, San Diego, CA (US)
- (**) Term: **14 Years**
- (21) Appl. No.: **29/506,505**
- (22) Filed: **Oct. 16, 2014**
- (51) **LOC (10) Cl.** **19-06**
- (52) **U.S. Cl.**
USPC **D19/174**
- (58) **Field of Classification Search**
USPC D14/411; D19/115-204
CPC B43K 5/005; B43K 7/00; B43K 7/10;
B43K 7/12; B43K 8/04; B43K 19/00; B43K
19/14; B43K 23/00; B43K 23/001; B43K
23/016; B43K 24/08; B43K 24/084
See application file for complete search history.

- D573,184 S * 7/2008 Vadenne D19/174
- D586,855 S * 2/2009 Liu D19/174
- D601,197 S * 9/2009 Zhang D19/174
- 7,683,895 B2 3/2010 Mika
- D688,135 S * 8/2013 Chen D19/171
- D709,949 S * 7/2014 Fleming D19/119
- D712,479 S * 9/2014 Fleming D19/171
- D730,988 S * 6/2015 Cleere D19/201
- 2013/0249870 A1 9/2013 Slaby et al.

* cited by examiner

Primary Examiner — Elizabeth Albert

(74) *Attorney, Agent, or Firm* — Lewis Kohn & Walker LLP;
David M. Kohn; Kari Moyer-Henry

(57) **CLAIM**

The ornamental design for a combination stylus pen, as shown and described.

DESCRIPTION

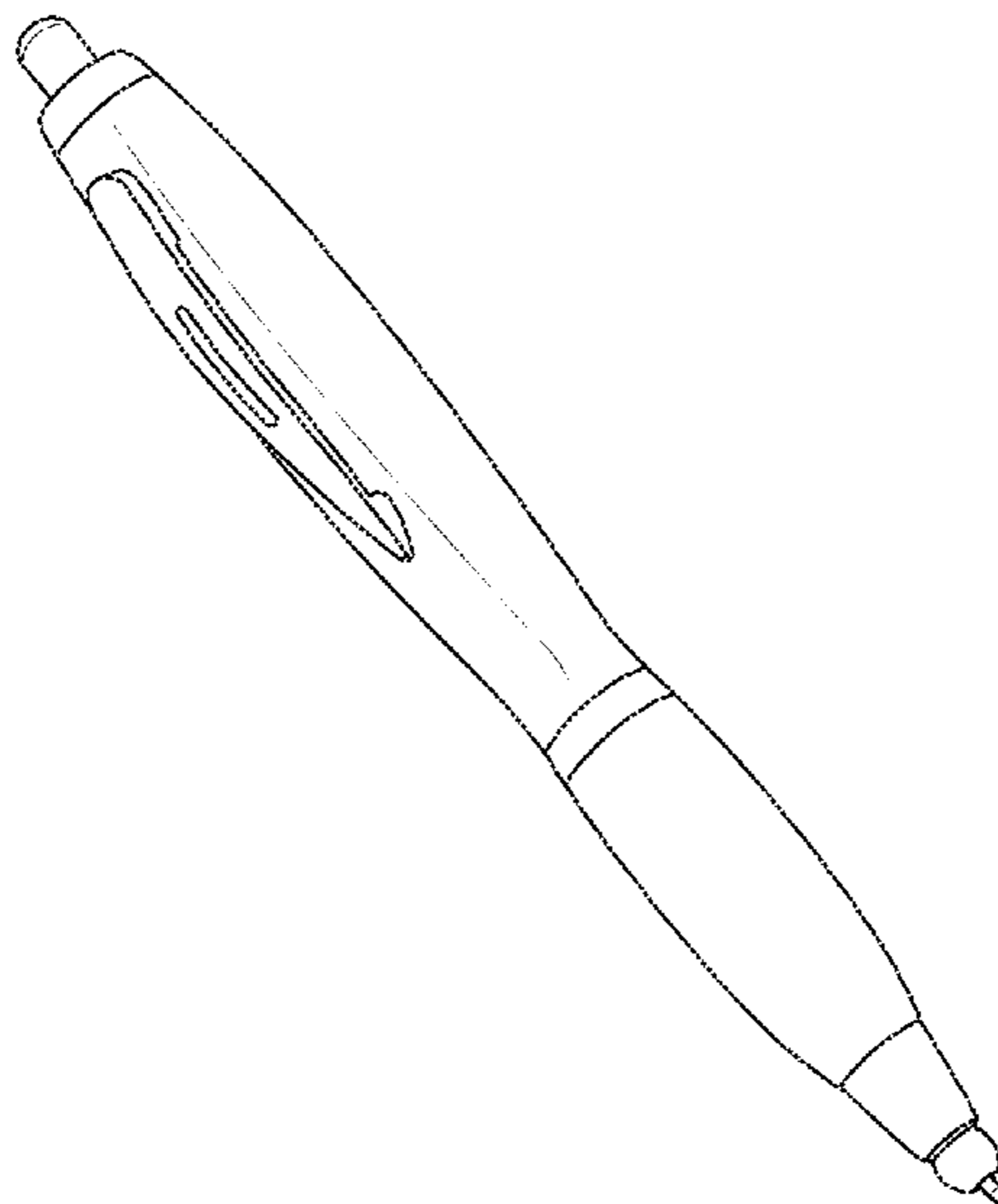
FIG. 1 is a perspective view of the combination stylus pen of the present invention;
 FIG. 2 is a left side view of the combination stylus pen from FIG. 1;
 FIG. 3 is a right side view of the combination stylus pen from FIG. 1;
 FIG. 4 is a back view of the combination stylus pen from FIG. 1;
 FIG. 5 is a front view of the combination stylus pen from FIG. 1;
 FIG. 6 is a bottom view of the combination stylus pen from FIG. 1 with the writing point retracted;
 FIG. 7 is a bottom view of the combination stylus pen from FIG. 1 with the writing point ejected; and,
 FIG. 8 is a top view of the combination stylus pen from FIG. 1.

1 Claim, 4 Drawing Sheets

(56) **References Cited**

U.S. PATENT DOCUMENTS

- 5,564,850 A 10/1996 Nagaoka
- D392,316 S * 3/1998 Verhaeghe D19/168
- D456,842 S 5/2002 Ono
- D462,356 S 9/2002 Ono et al.
- 6,447,190 B1 * 9/2002 Kwitek A63B 53/14
15/443
- D487,773 S * 3/2004 Keda D19/174
- 6,707,451 B1 3/2004 Nagaoka
- D497,387 S 10/2004 Cetera
- D536,035 S 1/2007 Cetera
- D540,866 S * 4/2007 Qiu D19/174
- D547,799 S 7/2007 Granick
- D550,282 S * 9/2007 Neuenschwander D19/174
- D554,182 S 10/2007 Cetera
- D566,179 S * 4/2008 Qiu D19/170



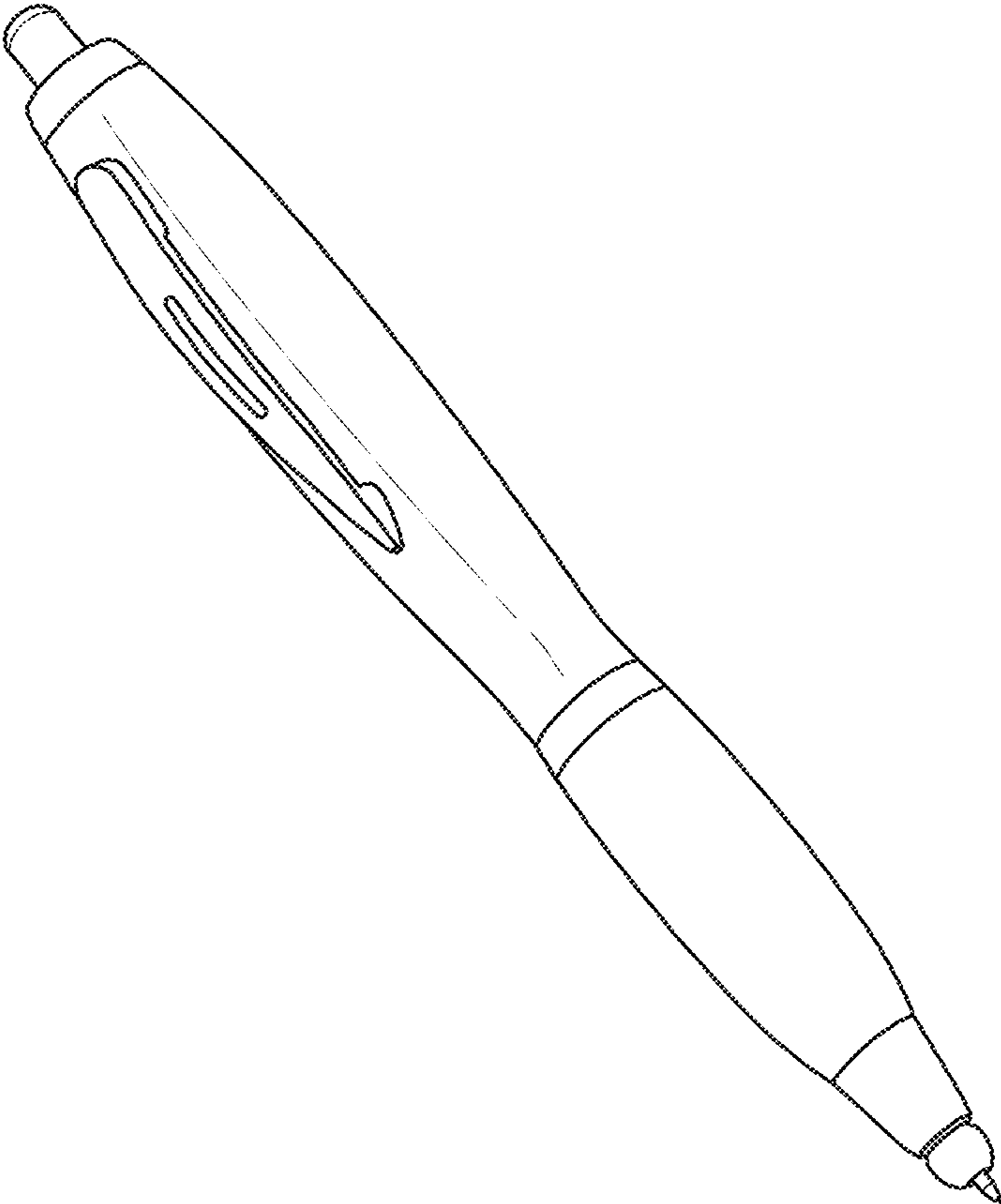


Figure 1

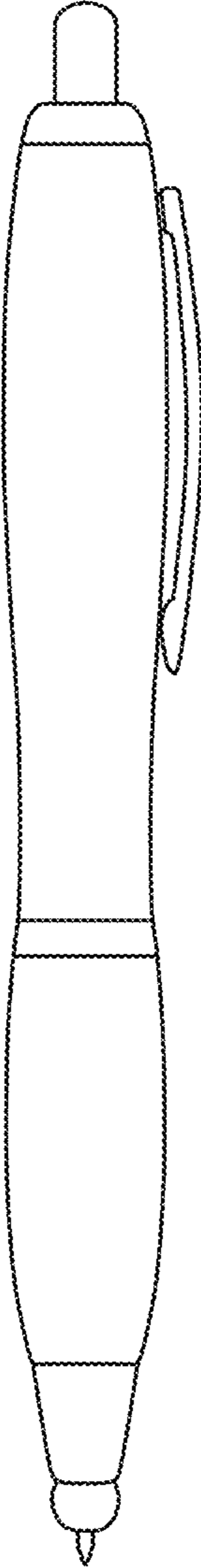


Figure 2

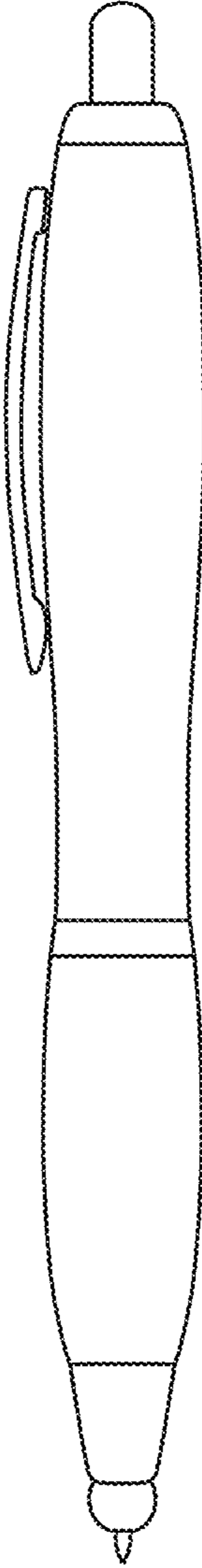


Figure 3

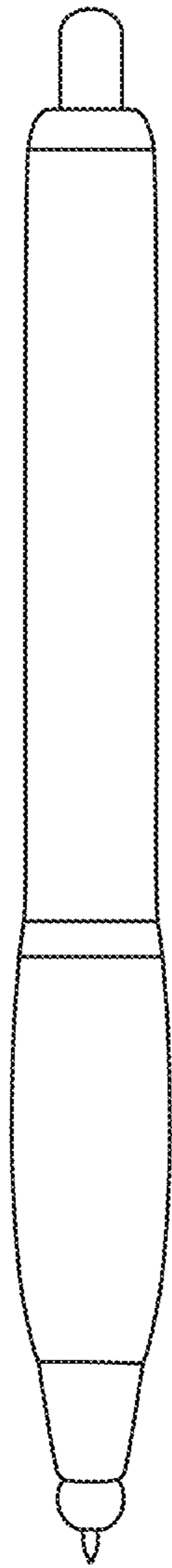


Figure 4

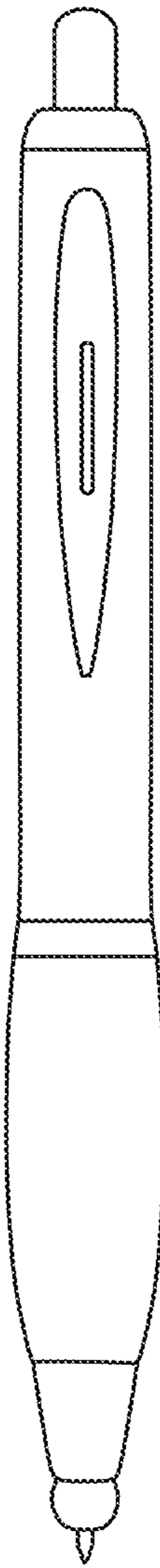


Figure 5

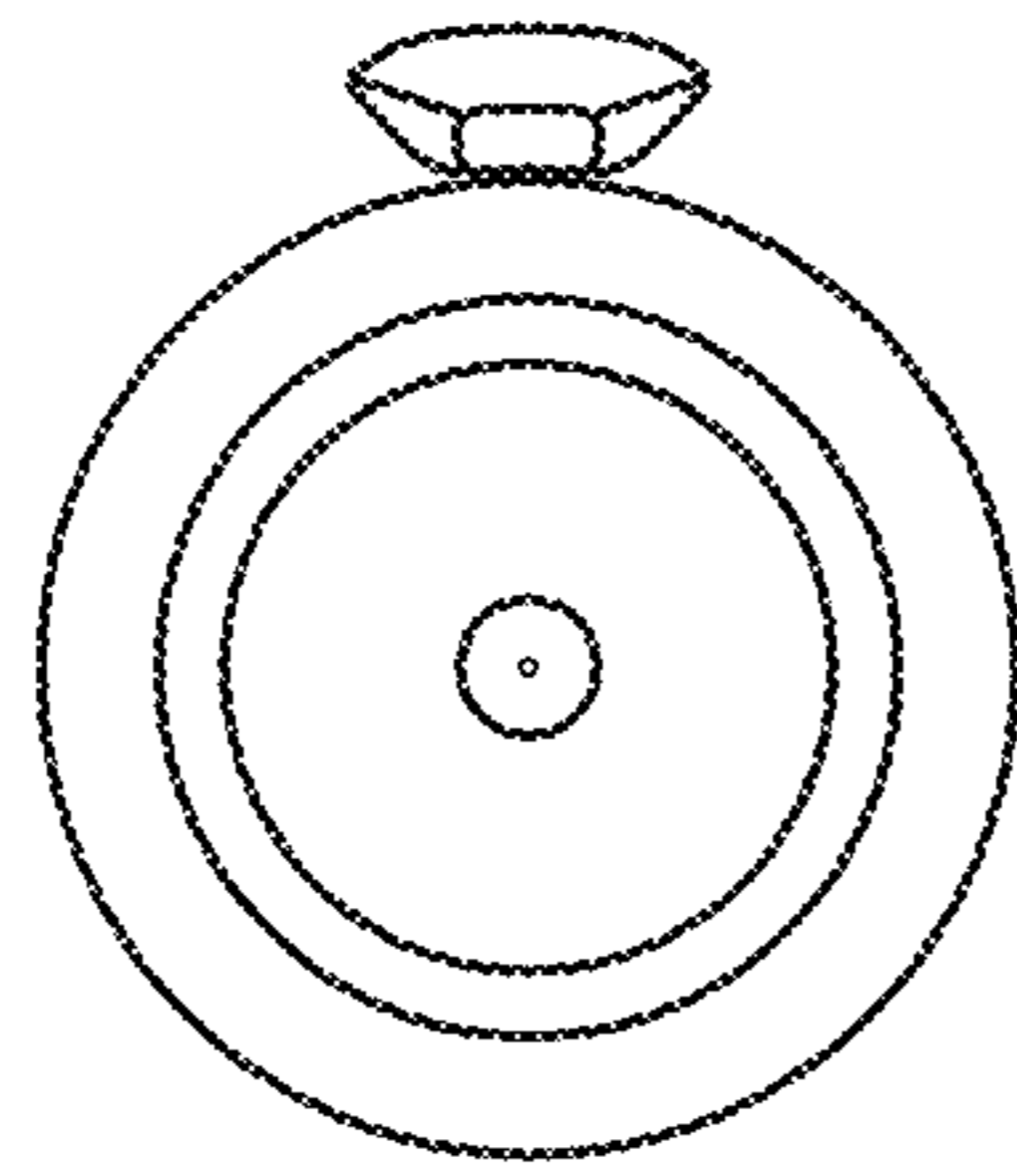


Figure 6

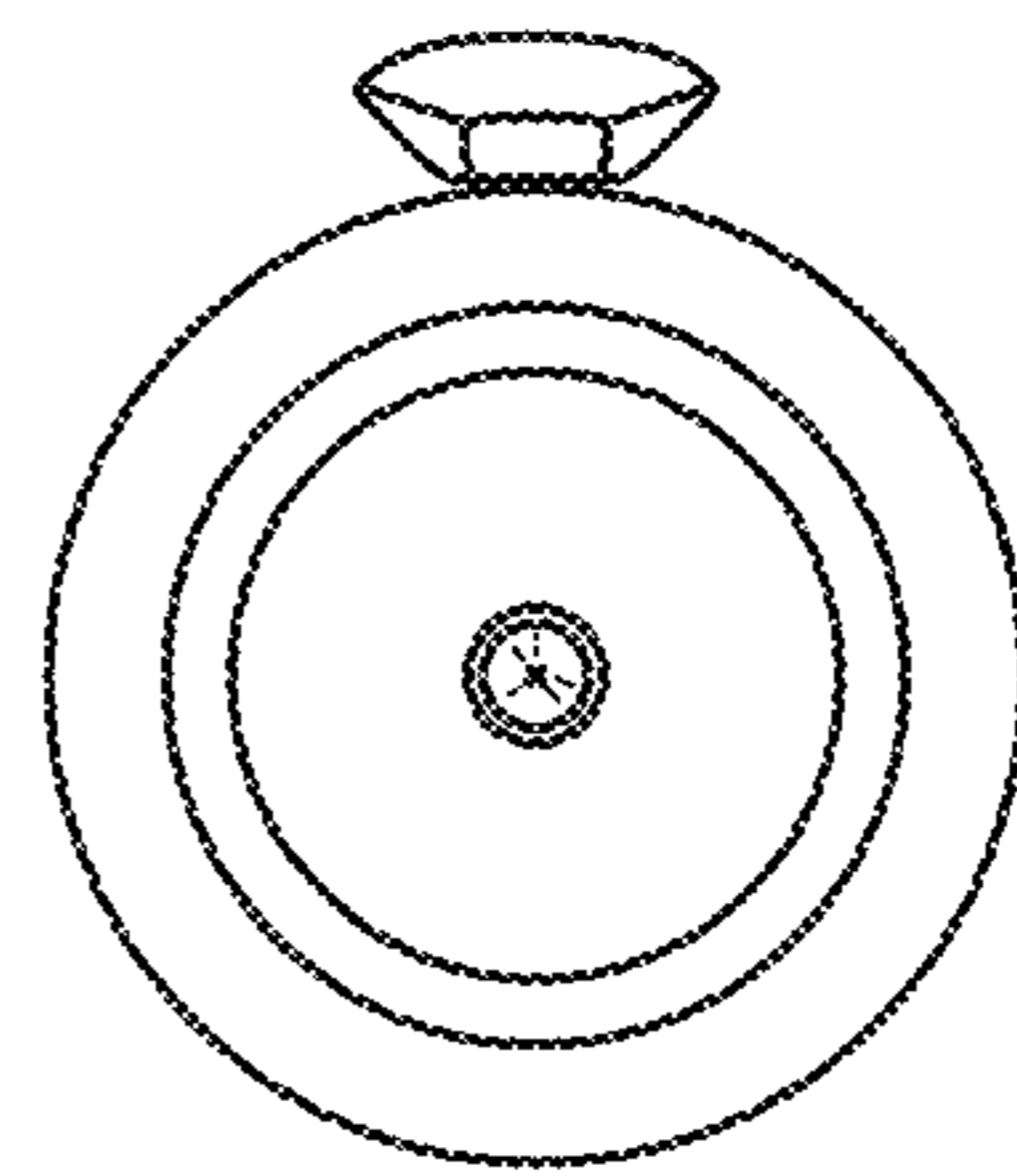


Figure 7

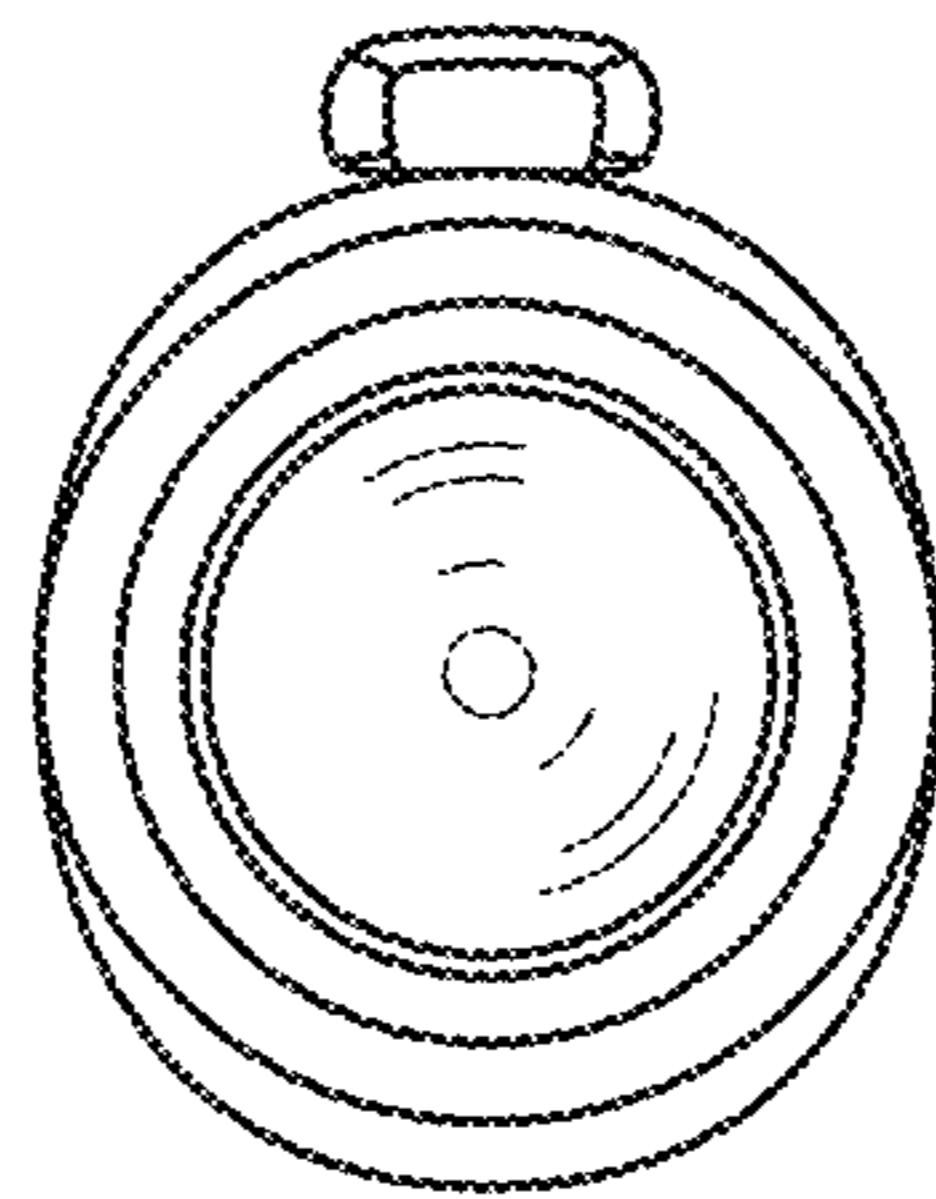


Figure 8