



US00D745088S

(12) **United States Design Patent**
Kim

(10) **Patent No.:** **US D745,088 S**
(45) **Date of Patent:** **** Dec. 8, 2015**

(54) **PRINTER**

(71) Applicant: **Samsung Electronics Co., Ltd.**,
Suwon-si (KR)

(72) Inventor: **Kyong-Hwan Kim**, Seoul (KR)

(73) Assignee: **Samsung Electronics Co., Ltd.**,
Suwon-si (KR)

(**) Term: **14 Years**

(21) Appl. No.: **29/484,476**

(22) Filed: **Mar. 10, 2014**

(30) **Foreign Application Priority Data**

Sep. 13, 2013 (KR) 30-2013-0047559

(51) **LOC (10) Cl.** **14-02**

(52) **U.S. Cl.**
USPC **D18/50**

(58) **Field of Classification Search**
USPC D18/36-39, 14, 19, 50, 53, 54, 54.1, 55,
D18/56; D14/420-425, 462-470; 400/613,
400/613.1-613.4, 690.1-690.4, 691-694
See application file for complete search history.

(56) **References Cited**

U.S. PATENT DOCUMENTS

D286,410 S * 10/1986 Hara D18/49
D341,849 S * 11/1993 Hiroki D18/49

D565,648 S * 4/2008 Egami D18/50
D583,819 S * 12/2008 Romanoff et al. D14/422
D596,598 S * 7/2009 Huang et al. D14/130
D631,050 S * 1/2011 Iliffe-Moon et al. D14/422
D708,618 S * 7/2014 Romanoff et al. D14/422

* cited by examiner

Primary Examiner — Cathy Anne MacCormac

(74) *Attorney, Agent, or Firm* — NSIP Law

(57) **CLAIM**

The ornamental design for a printer, as shown and described.

DESCRIPTION

FIG. 1 is a front perspective view of a printer showing my new design;

FIG. 2 is a front view thereof;

FIG. 3 is a rear view thereof;

FIG. 4 is a left-side view thereof;

FIG. 5 is a right-side view thereof;

FIG. 6 is a top view thereof; and,

FIG. 7 is a bottom view thereof.

The broken lines in the figures show portions of the printer that depict environmental subject matter which form no part of the claimed design.

The dot-dash lines in the figures represent an unclaimed boundary line and form no part of the claimed design.

1 Claim, 7 Drawing Sheets

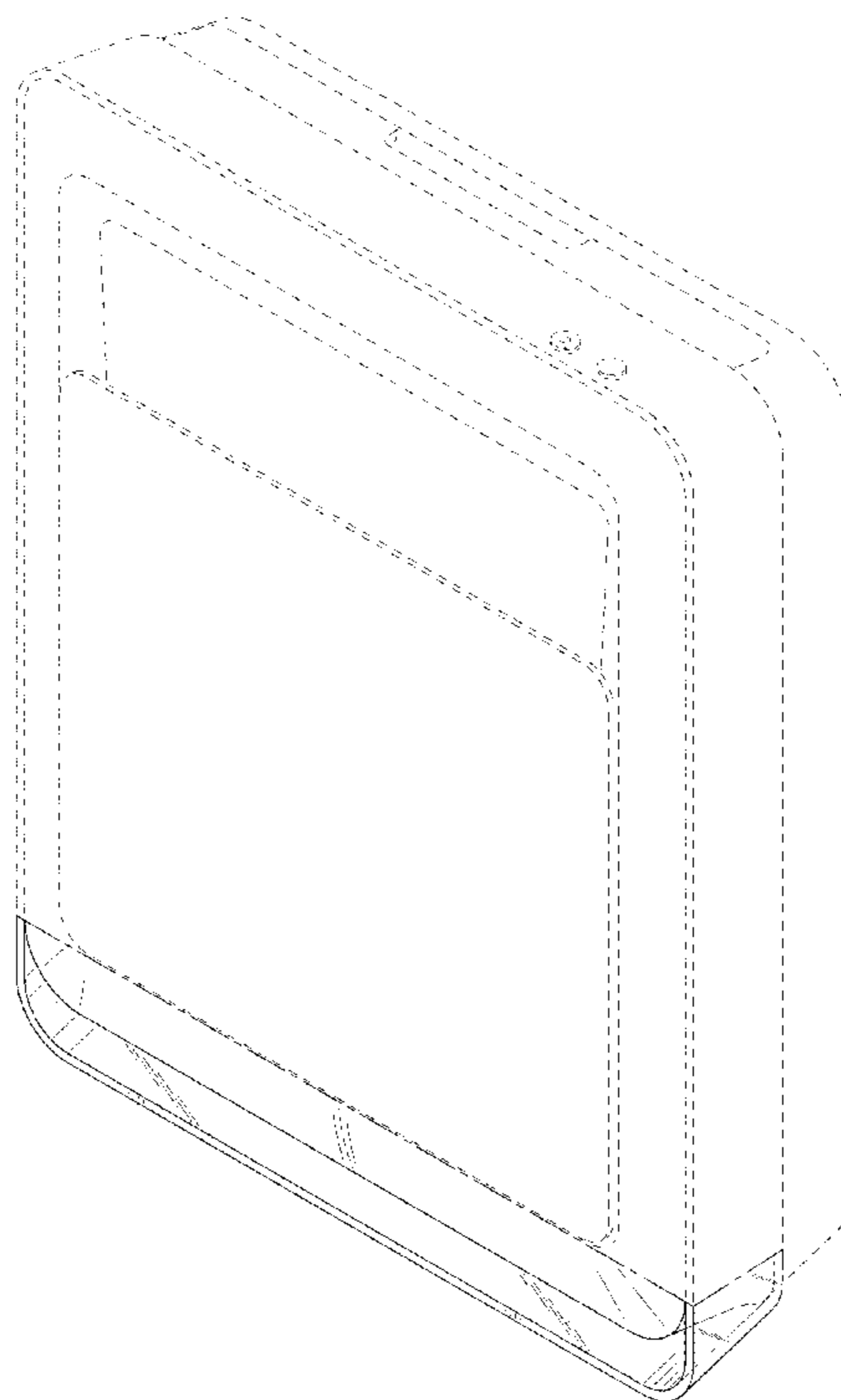


FIG. 1

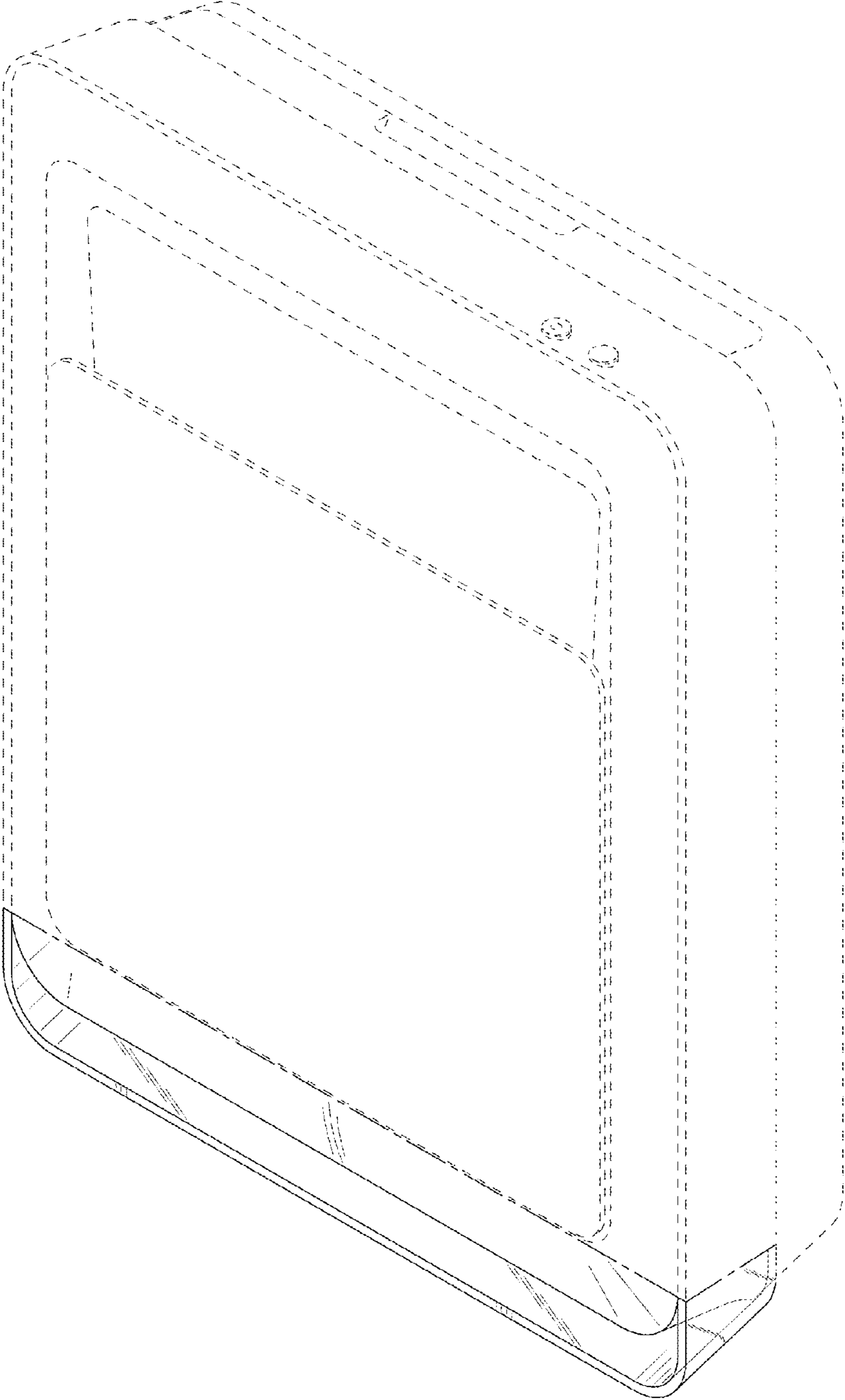


FIG. 2

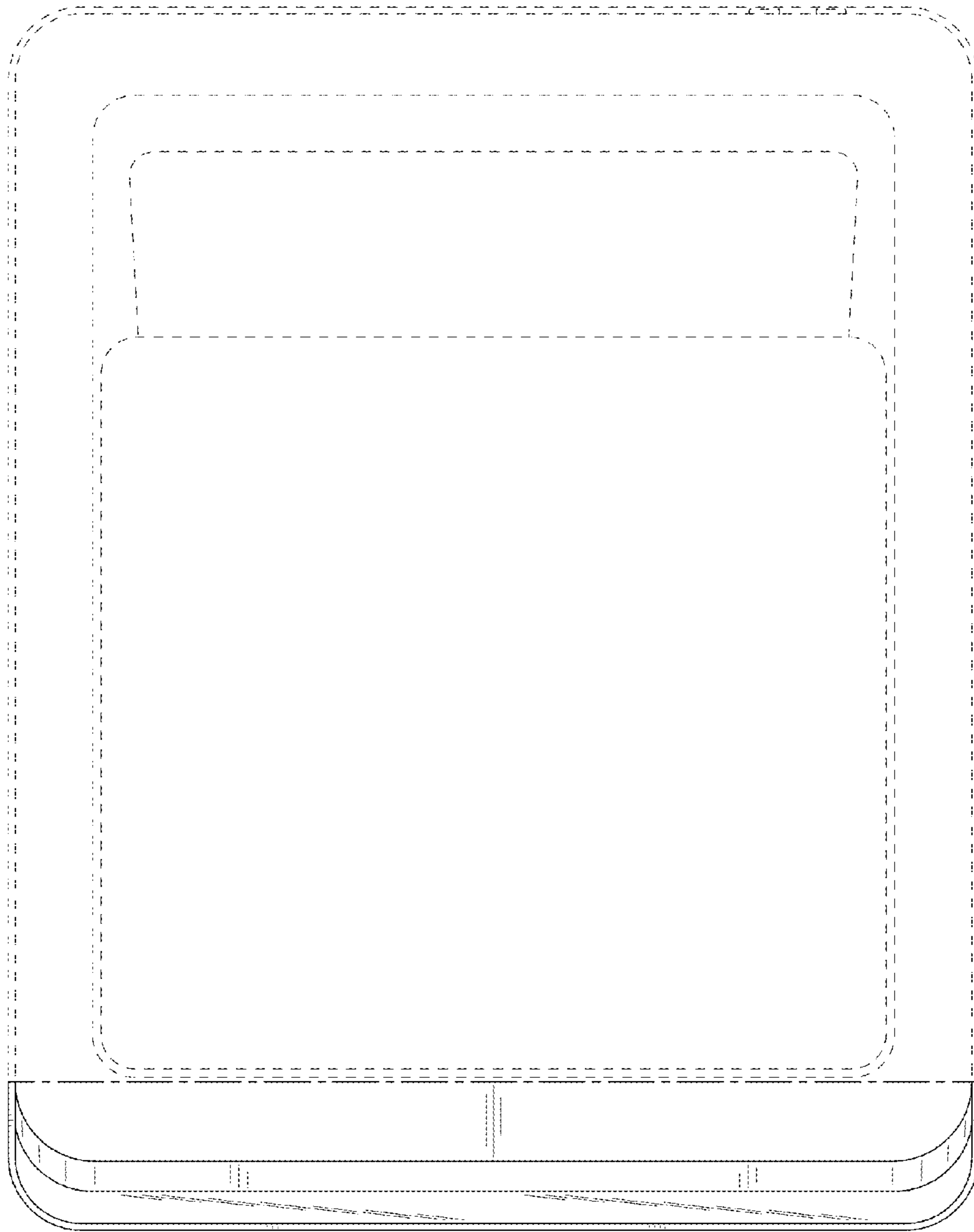


FIG. 3

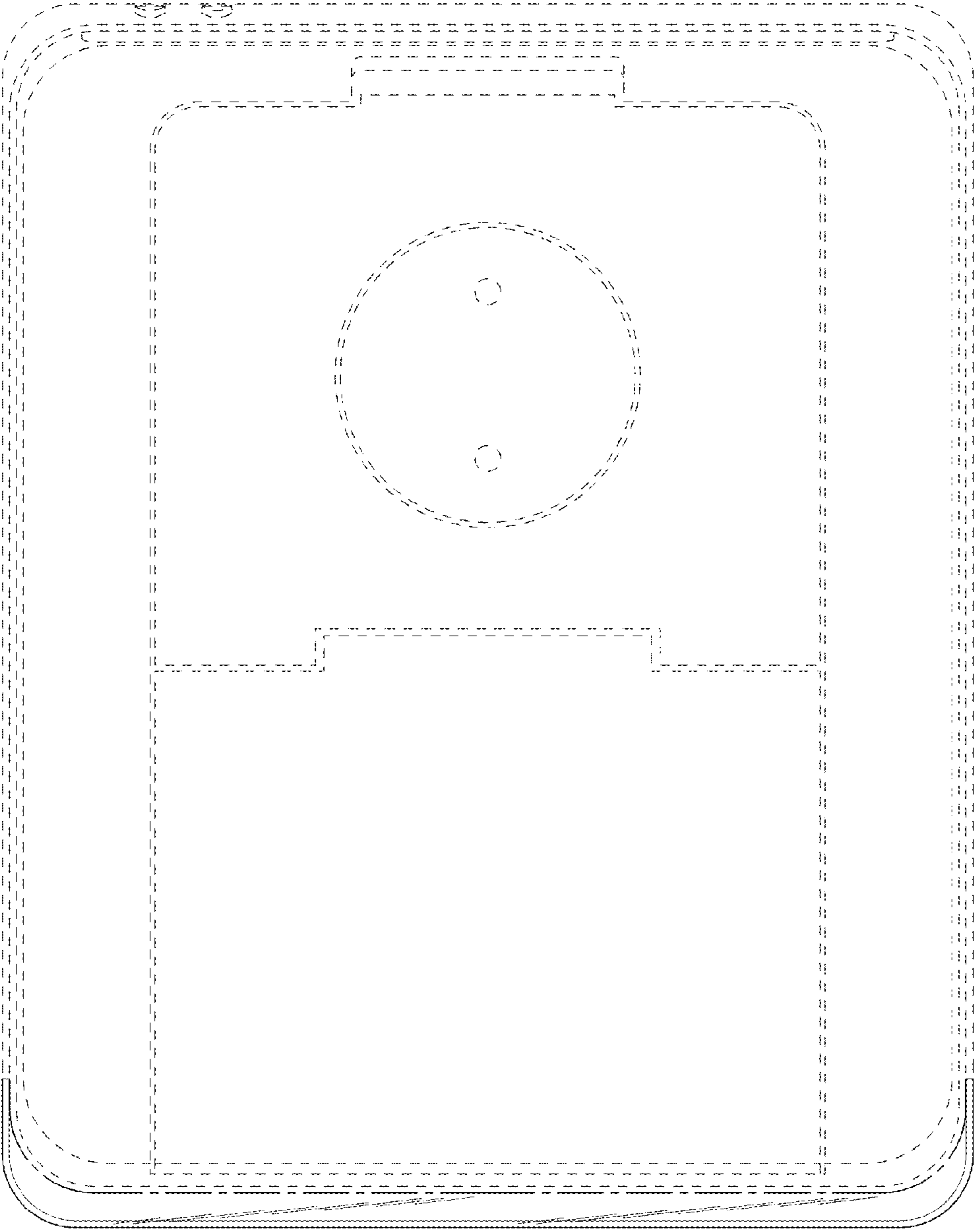


FIG. 4

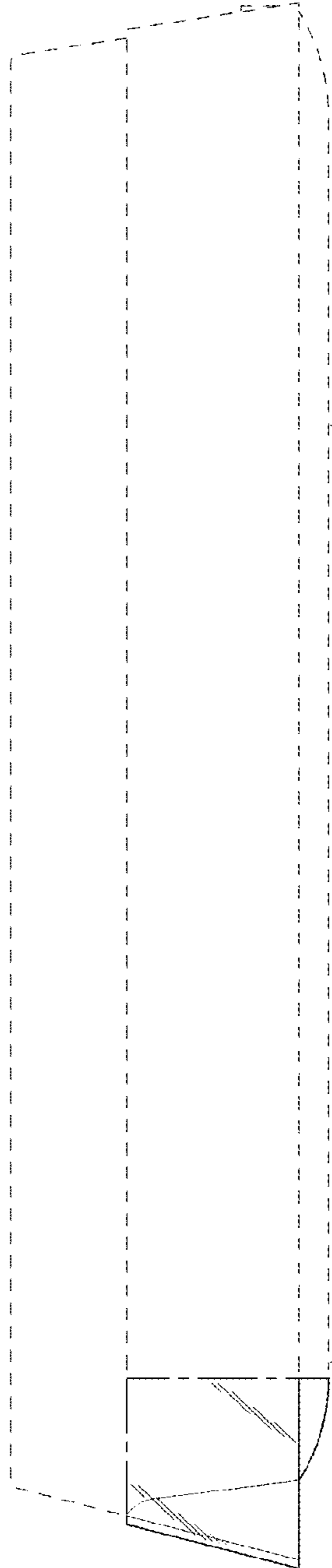


FIG. 5

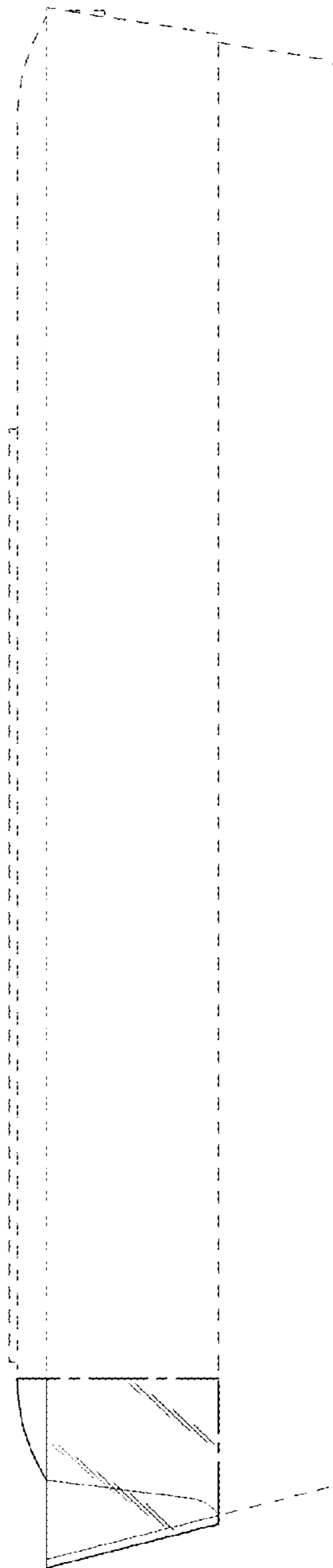


FIG. 6

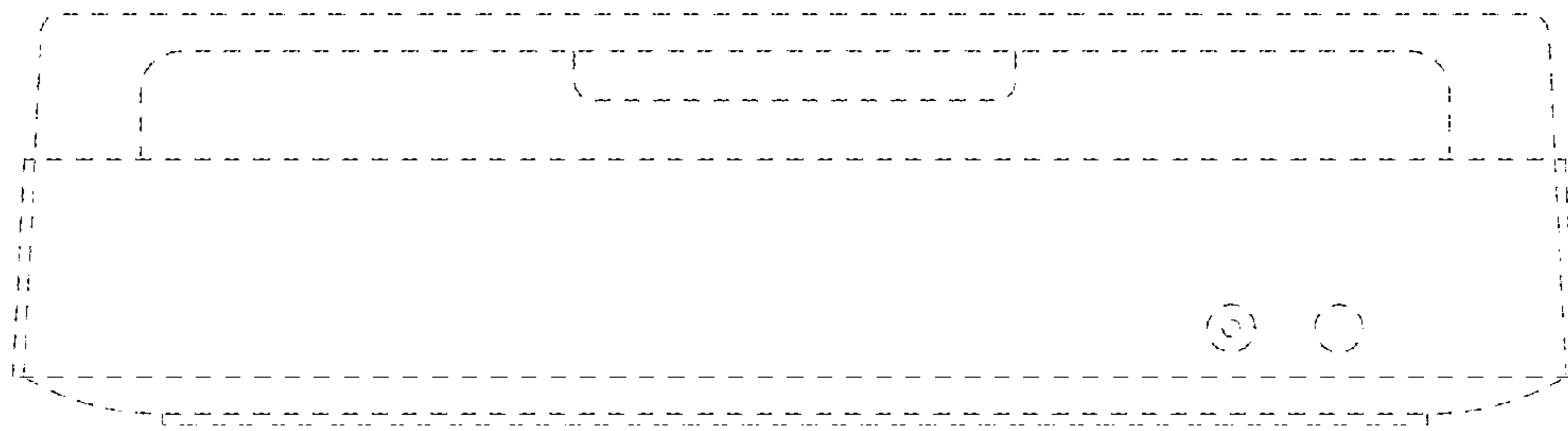


FIG. 7

