



US00D745086S

(12) **United States Design Patent**
Finos et al.

(10) **Patent No.:** **US D745,086 S**
(45) **Date of Patent:** **** Dec. 8, 2015**

(54) **GUITAR BODY WITH HEADSTOCK**
(71) Applicant: **GM GLOBAL TECHNOLOGY OPERATIONS LLC**, Detroit, MI (US)
(72) Inventors: **Dennis Finos**, Romeo, MI (US); **David J. Haskell**, Warren, MI (US)
(73) Assignee: **GM Global Technology Operations LLC**, Detroit, MI (US)

(**) Term: **14 Years**
(21) Appl. No.: **29/443,332**

(22) Filed: **Jan. 16, 2013**
(51) **LOC (10) Cl.** **17-03**
(52) **U.S. Cl.**
USPC **D17/19**
(58) **Field of Classification Search**
USPC D17/14-21, 7-8, 10, 13; D14/400
CPC G10D 1/08; G10D 1/085
See application file for complete search history.

(56) **References Cited**

U.S. PATENT DOCUMENTS

D181,867 S * 1/1958 McCarty D17/19
D267,329 S * 12/1982 Cooper D17/14

D292,217 S * 10/1987 Giron, III D17/19
D293,118 S * 12/1987 Rose D17/19
D309,151 S * 7/1990 Beard D17/18
D564,575 S * 3/2008 Csakvary D17/20
D568,376 S * 5/2008 Campos D17/14
D594,502 S * 6/2009 Csakvary D17/14
D646,274 S * 10/2011 Lim et al. D14/400
D652,069 S * 1/2012 Tsai D17/14

* cited by examiner

Primary Examiner — Sheryl Lane

Assistant Examiner — Nicole Shiflet

(74) *Attorney, Agent, or Firm* — Lionel D. Anderson; Reising Ethington P.C.

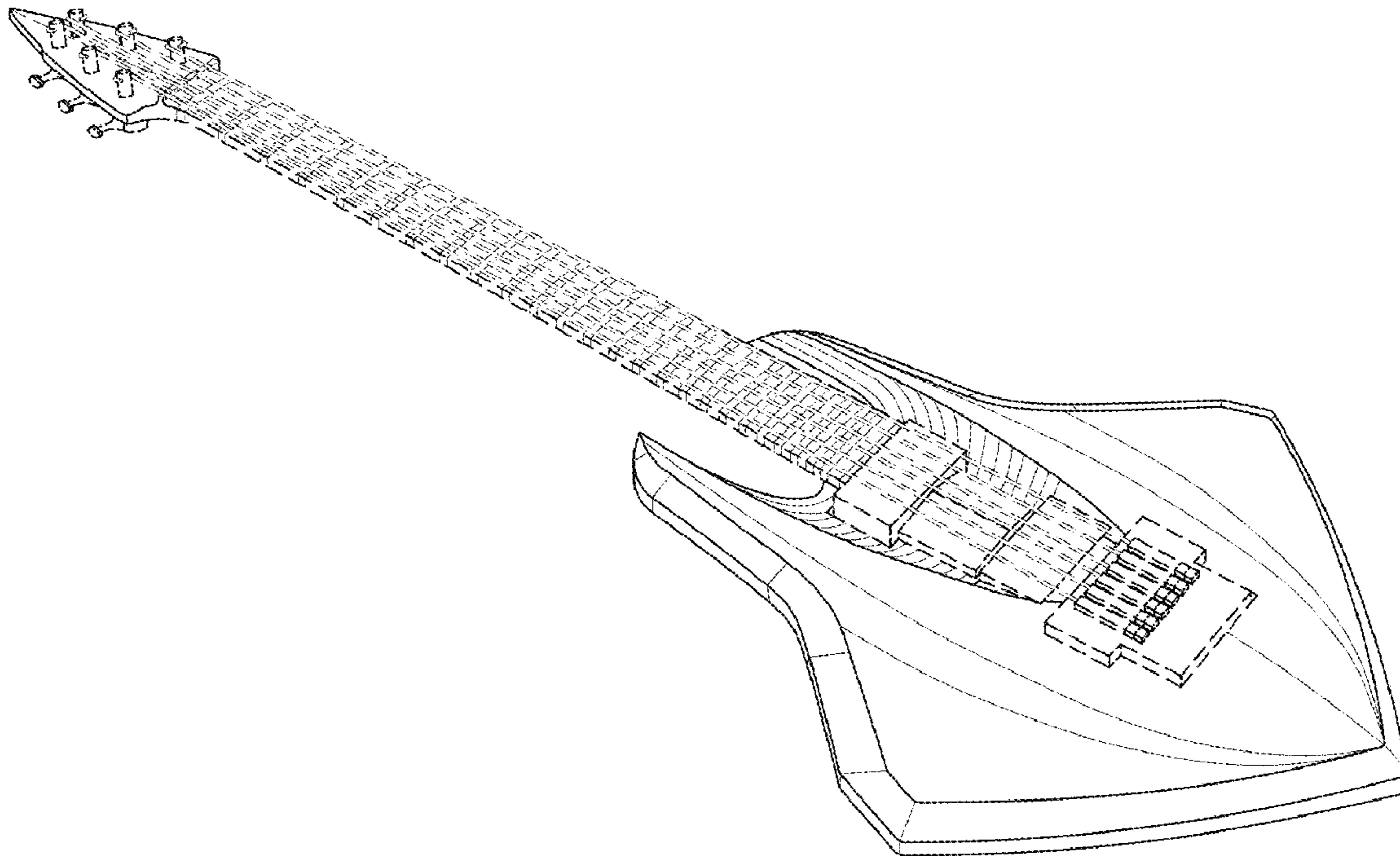
(57) **CLAIM**

The ornamental design for a guitar body with headstock, as shown.

DESCRIPTION

FIG. 1 is a perspective view of the guitar body with headstock; FIG. 2 is a top view of the guitar body with headstock; FIG. 3 is a side view of the guitar body with headstock; FIG. 4 is a rear view of the guitar body with headstock; FIG. 5 is a front view of the guitar body with headstock; and, FIG. 6 is a bottom view of the guitar body with headstock. The broken lines showing elements of the guitar including the tuners, tuner posts, neck, and bridge are for environmental purposes only and form no part of the claimed design.

1 Claim, 2 Drawing Sheets



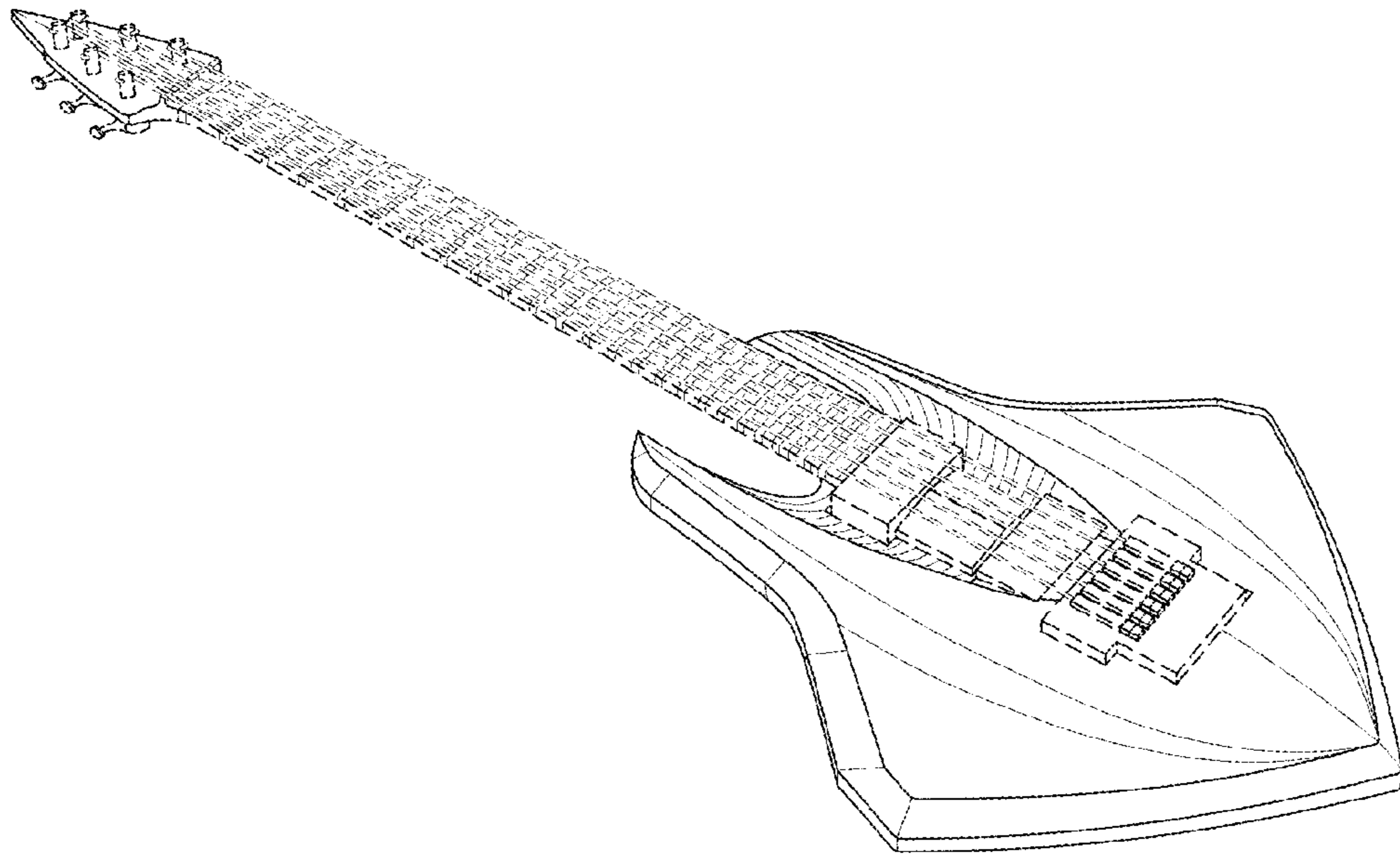


Fig-1

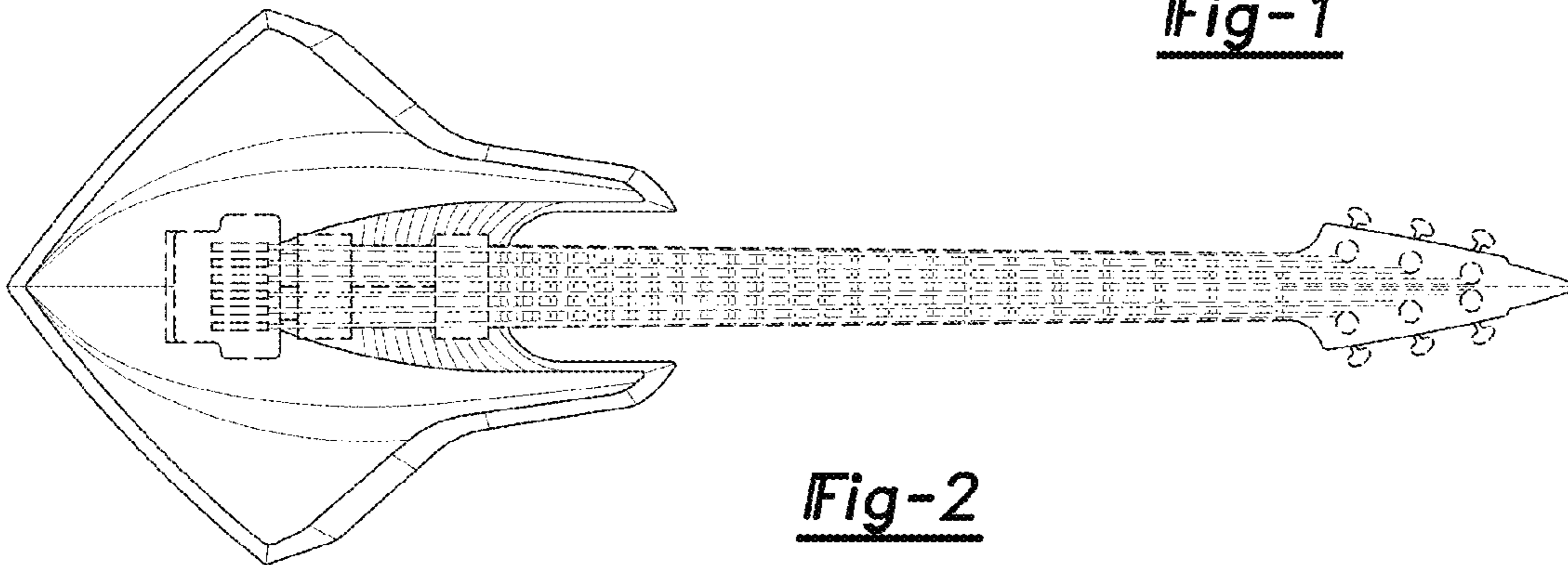


Fig-2

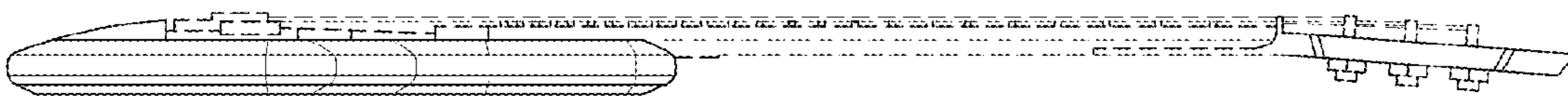


Fig-3

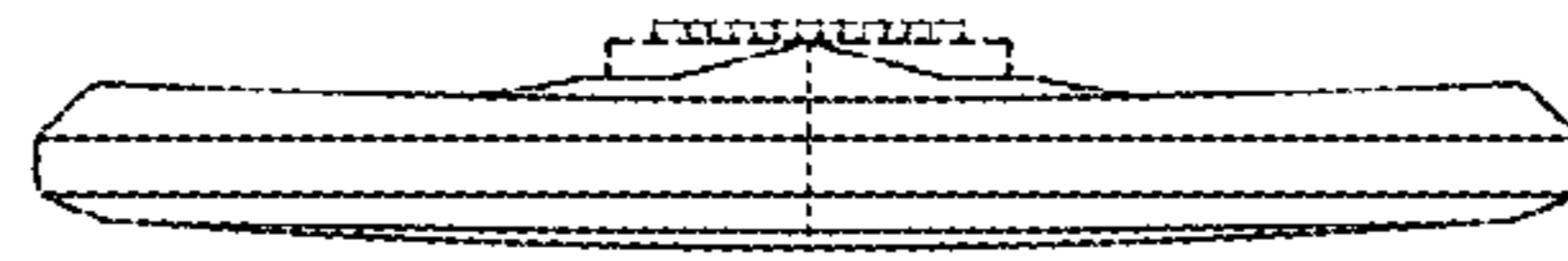


Fig-4



Fig-5

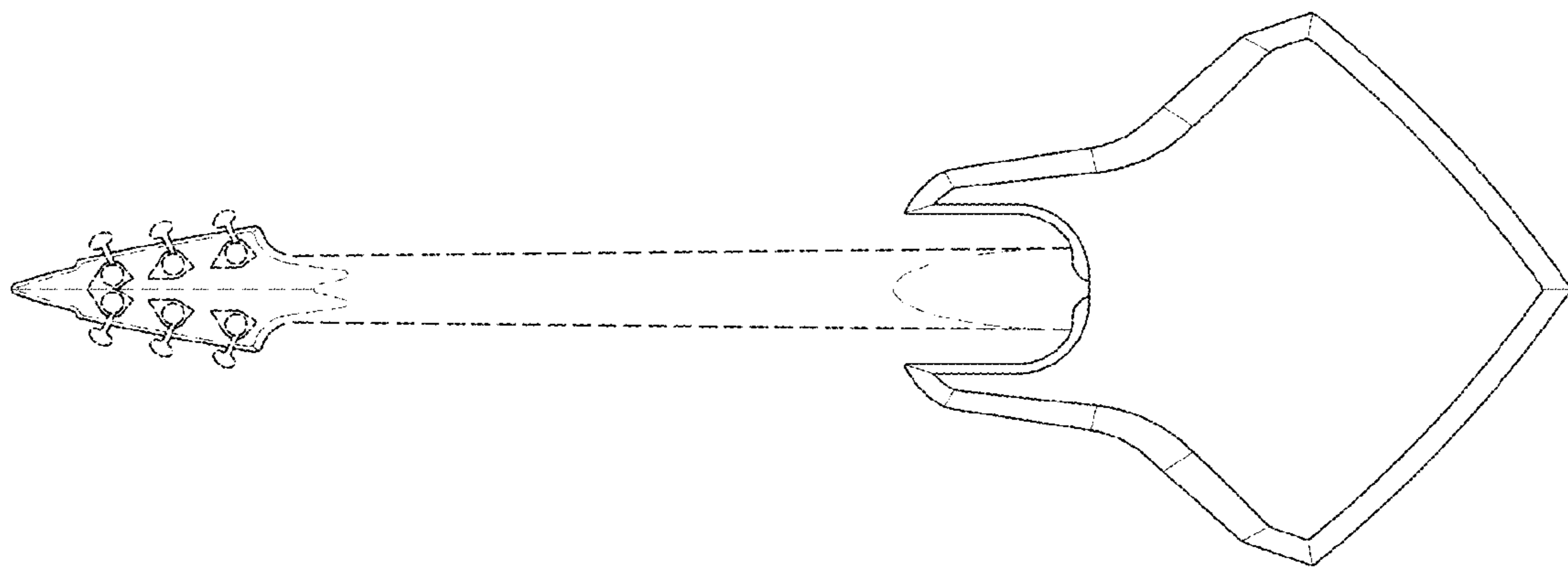


Fig-6