



US00D745085S

(12) **United States Design Patent**
Benge

(10) **Patent No.:** **US D745,085 S**
(45) **Date of Patent:** **** Dec. 8, 2015**

(54) **HEART-SHAPED STRINGED INSTRUMENT**

(71) Applicant: **Geoff Benge**, Chicago, IL (US)

(72) Inventor: **Geoff Benge**, Chicago, IL (US)

(**) Term: **14 Years**

(21) Appl. No.: **29/521,636**

(22) Filed: **Mar. 25, 2015**

Related U.S. Application Data

(62) Division of application No. 29/467,437, filed on Sep. 19, 2013, now Pat. No. Des. 725,697.

(51) **LOC (10) Cl.** **17-03**

(52) **U.S. Cl.**
USPC **D17/14**

(58) **Field of Classification Search**
USPC D17/14, 18, 20
See application file for complete search history.

(56) **References Cited**

U.S. PATENT DOCUMENTS

452,193 A	5/1891	Pizzuti	
550,529 A	11/1895	Pyle	
738,811 A	9/1903	Johnson	
796,878 A	8/1905	Spurgeon	
D52,539 S	10/1918	McVey	
D65,662 S	9/1924	Mattausch	
D81,591 S	7/1930	Long	
1,799,696 A	4/1931	Miller	
2,083,751 A	6/1937	Thompson	
D105,339 S *	7/1937	Mickus	84/267
2,204,150 A *	6/1940	Quattrociocche	G10D 1/00 84/267
2,484,820 A	10/1949	Galetzky	
2,969,703 A	1/1961	Matteo	
D220,453 S *	4/1971	Nogueira	D17/14
3,736,830 A	6/1973	Ledford	
D242,072 S	10/1976	Schneider	
D268,844 S	5/1983	McPherson, Sr.	
D278,540 S	4/1985	Morris	
D292,217 S	10/1987	Giron, III	
D292,413 S	10/1987	Slusser	
D334,764 S	4/1993	Fisher, IV	

D342,964 S	1/1994	Harriott
D346,177 S	4/1994	Reineck
D356,592 S	3/1995	Huskey
D371,155 S	6/1996	Hudnall
6,046,393 A	4/2000	Rose
D489,397 S	5/2004	Flagg
D516,115 S	2/2006	Rose
D567,845 S	4/2008	Judd
D568,925 S	5/2008	Lechner
D578,563 S	10/2008	Peavey et al.

(Continued)

OTHER PUBLICATIONS

Chris Stiles Design. <http://cargocollective.com/stilesdesign/wii-GUITAR-HERO>. Date Unknown: Viewed Sep. 2015. "wii Guitar Hero" *

Ferangeli Guitar and Handcrafter. <http://www.ferangeliguitar.com/products/acoustic-guitars/heart-shaped-laminated-sapili/>. Date Unknown: Viewed Sep. 2015. "Heart-shaped Laminated Sitka/ Laminated Sapili" *

U.S. Appl. No. 29/528,738, filed Jun. 1, 2015.

Non-Final Office Action regarding U.S. Appl. No. 29/467,439, dated Mar. 27, 2015.

(Continued)

Primary Examiner — Rashida Johnson

(74) *Attorney, Agent, or Firm* — Harness, Dickey & Pierce, P.L.C.

(57) **CLAIM**

I claim the ornamental design for a heart-shaped stringed instrument, as shown and described.

DESCRIPTION

FIG. 1 is a front perspective view of a heart-shaped stringed instrument showing my new design;

FIG. 2 is a front elevational view thereof;

FIG. 3 is a top elevational view thereof;

FIG. 4 is a bottom elevational view thereof;

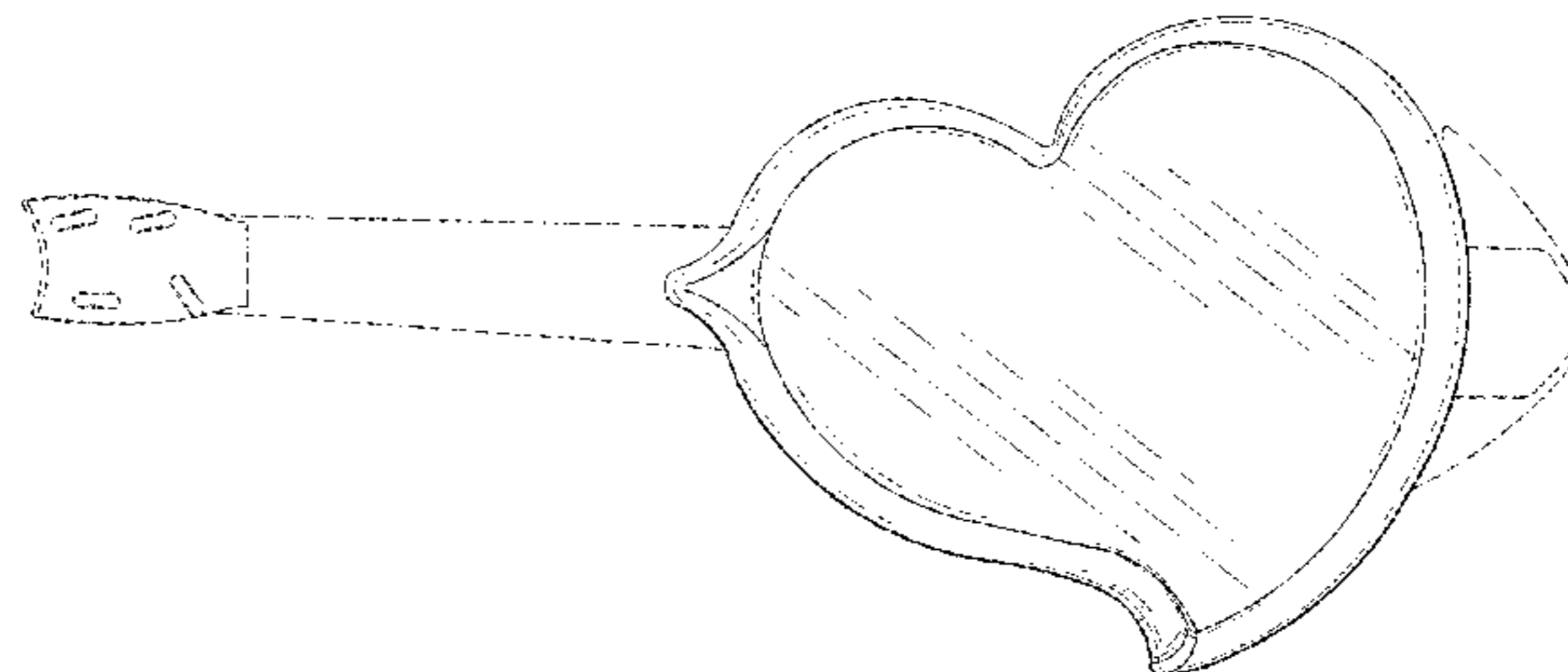
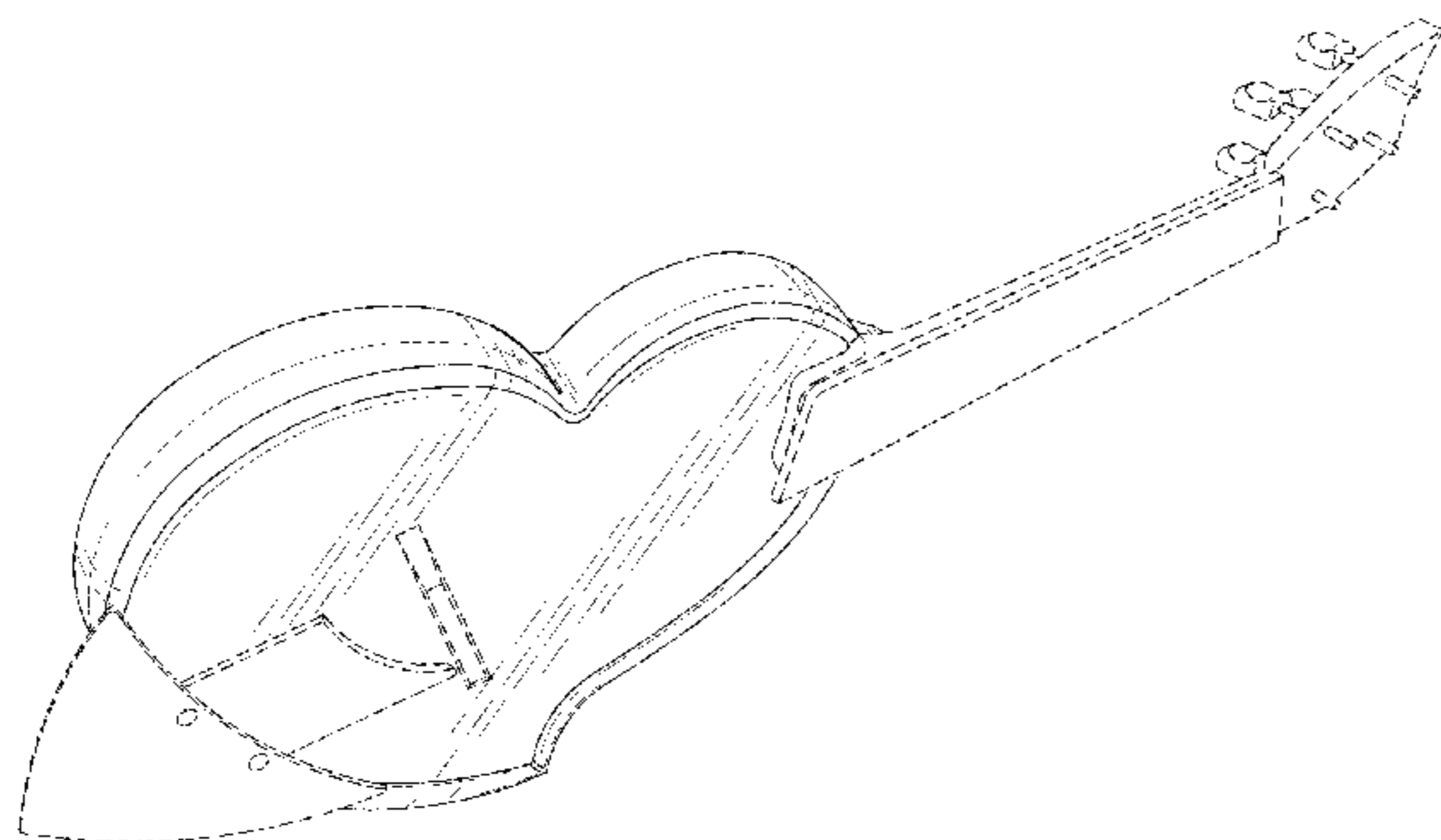
FIG. 5 is a right side elevational view thereof;

FIG. 6 is a left side elevational view thereof; and,

FIG. 7 is a back elevational view thereof.

In FIGS. 1-7, the broken lines represent the portions of the heart-shaped stringed instrument, which form no part of the claimed design.

1 Claim, 6 Drawing Sheets



(56)

References Cited

U.S. PATENT DOCUMENTS

7,465,870	B1	12/2008	Homan	
D657,814	S	4/2012	Clemmons	
D725,697	S *	3/2015	Benge	D17/14
D730,976	S *	6/2015	Benge	D17/14
D731,583	S *	6/2015	Benge	D17/14
D732,604	S *	6/2015	Benge	D17/14

OTHER PUBLICATIONS

Non-Final Office Action regarding U.S. Appl. No. 29/467,437, dated Aug. 1, 2014.

Non-Final Office Action regarding U.S. Appl. No. 29/467,438, dated Aug. 14, 2014.

* cited by examiner

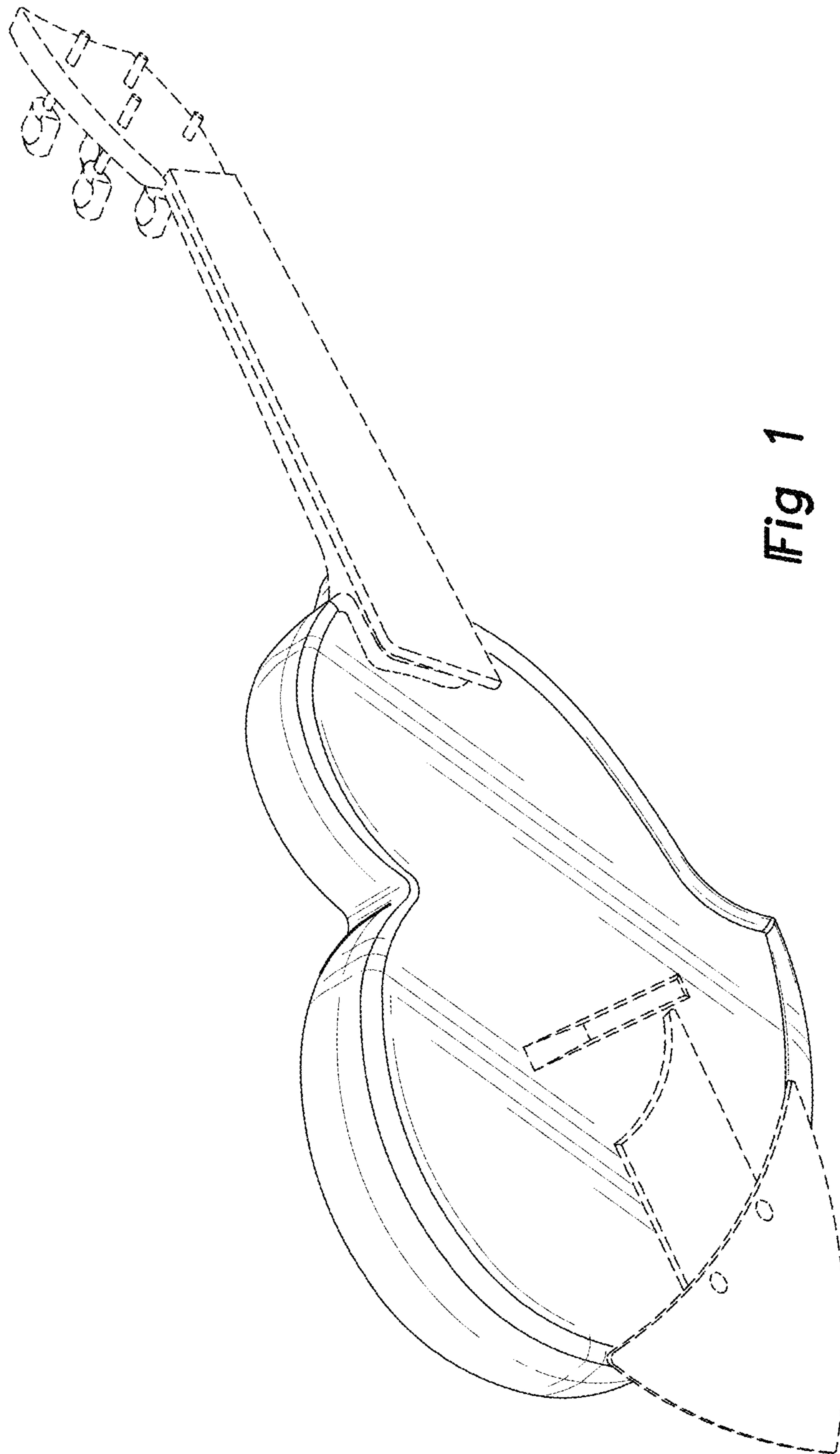


Fig 1

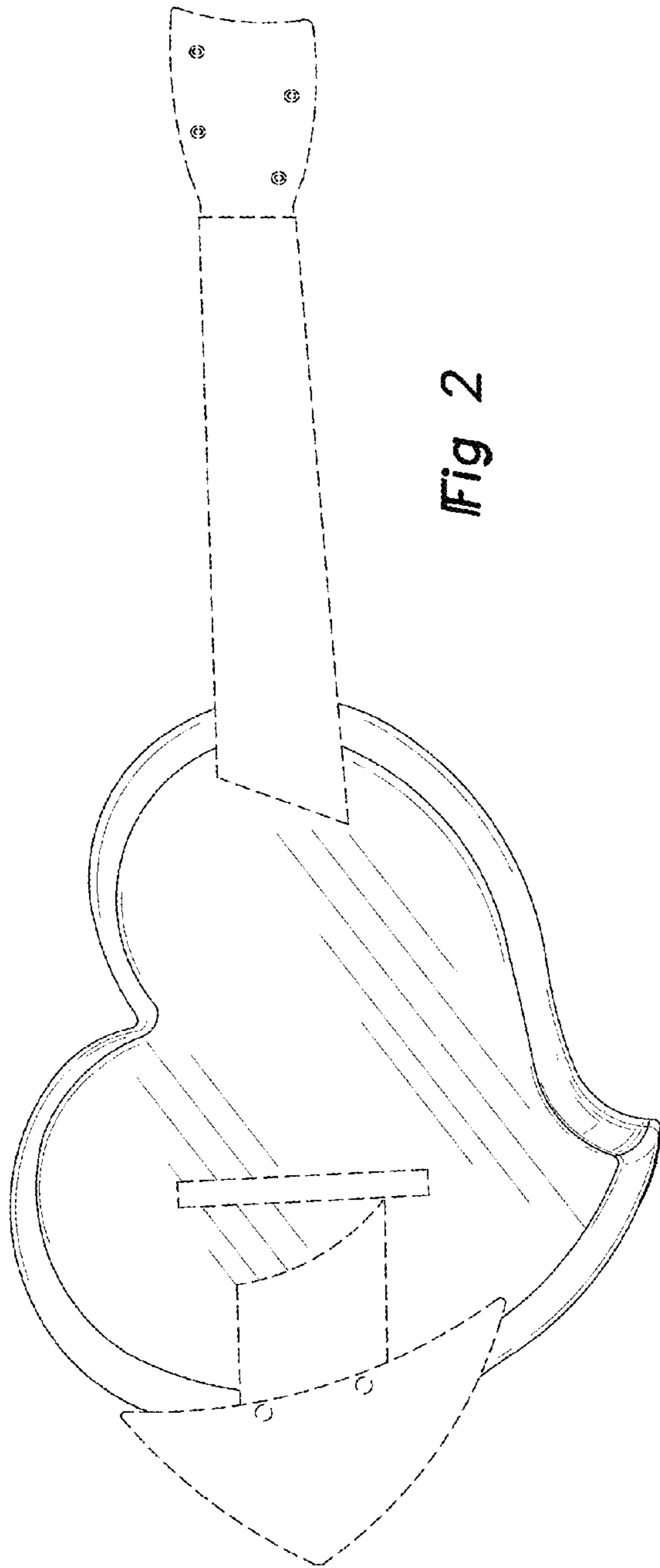


Fig 2

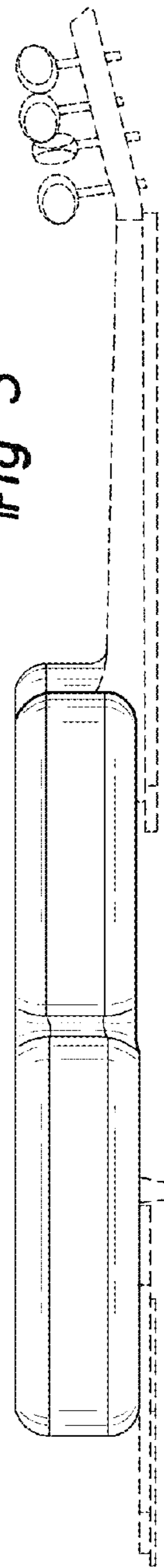


Fig 3

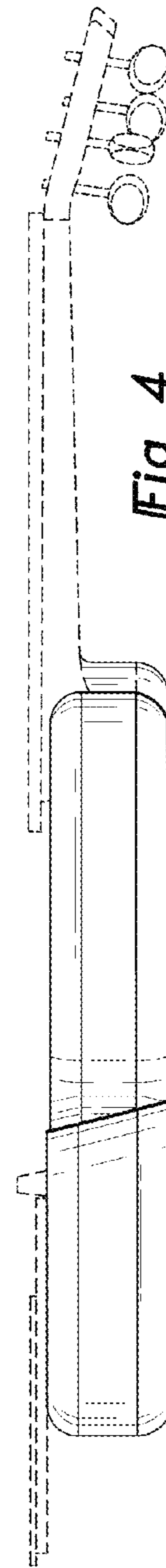


Fig 4

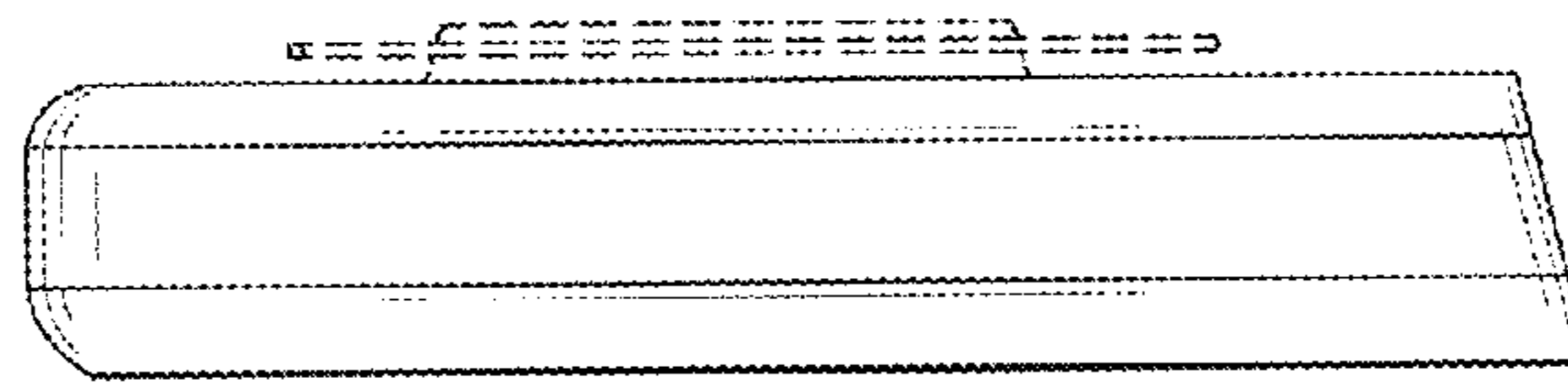
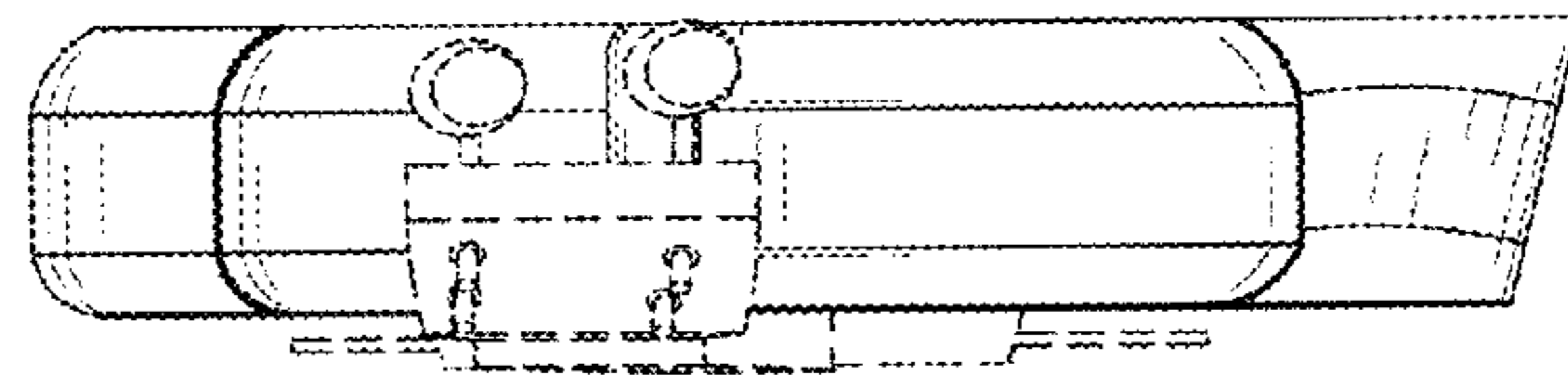
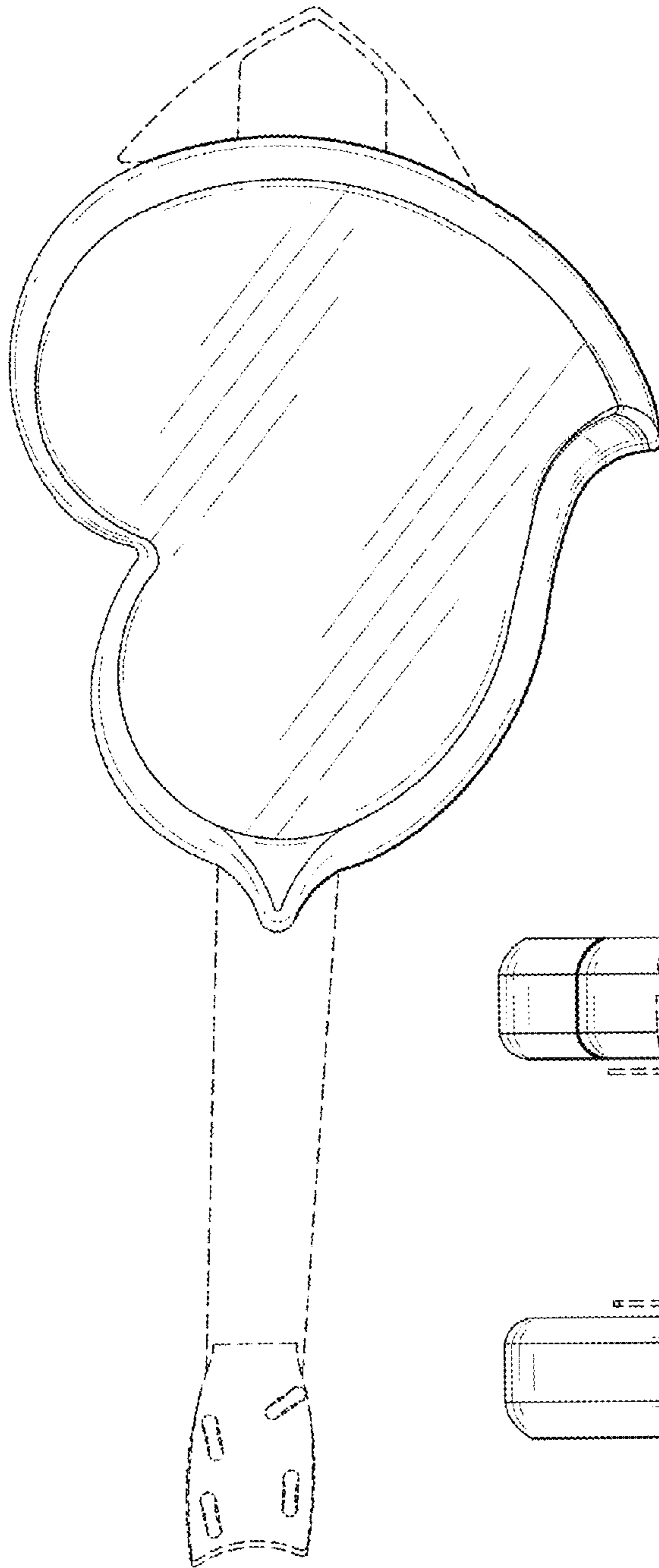


Fig 6

Fig 5

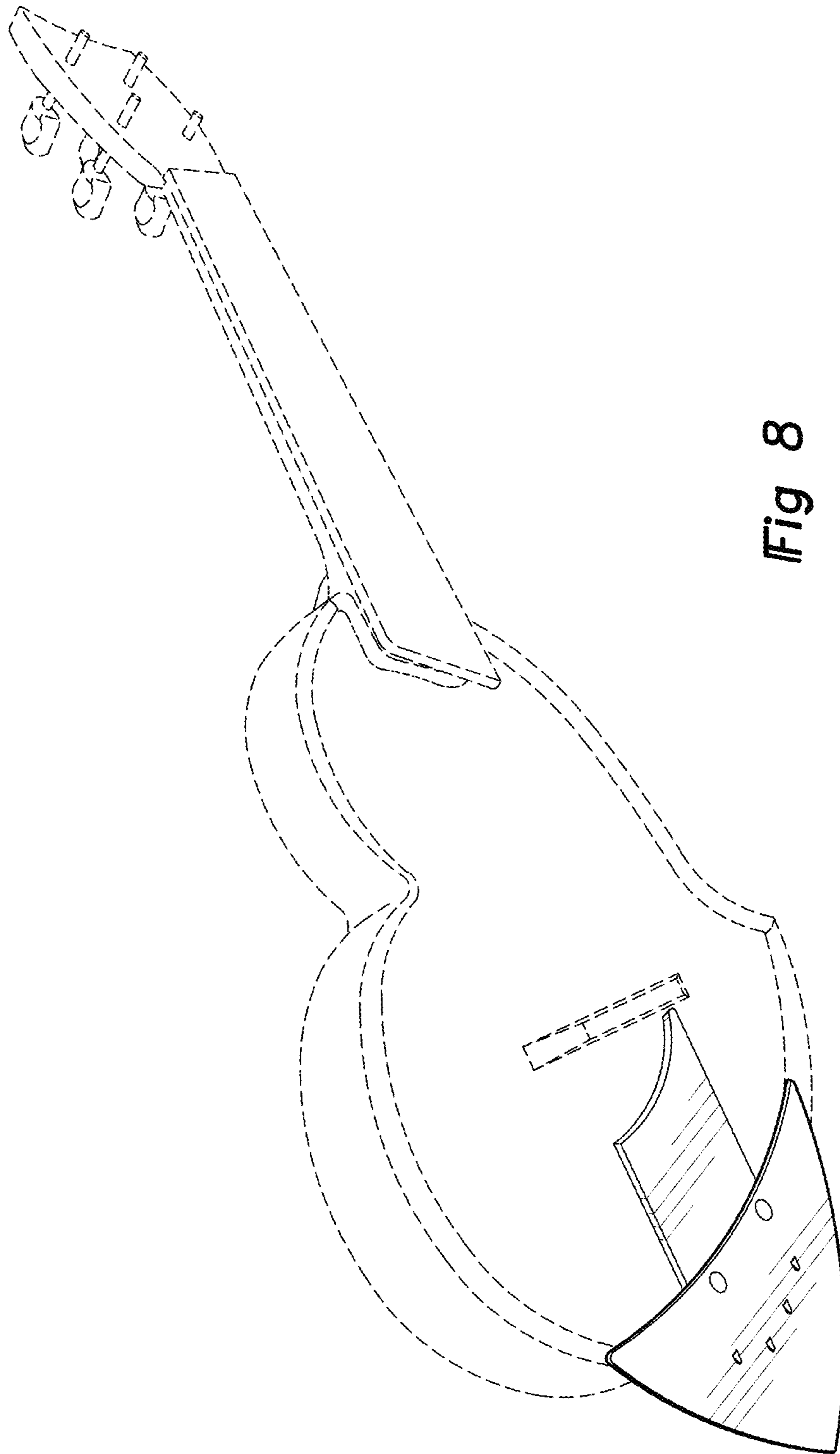


Fig 8

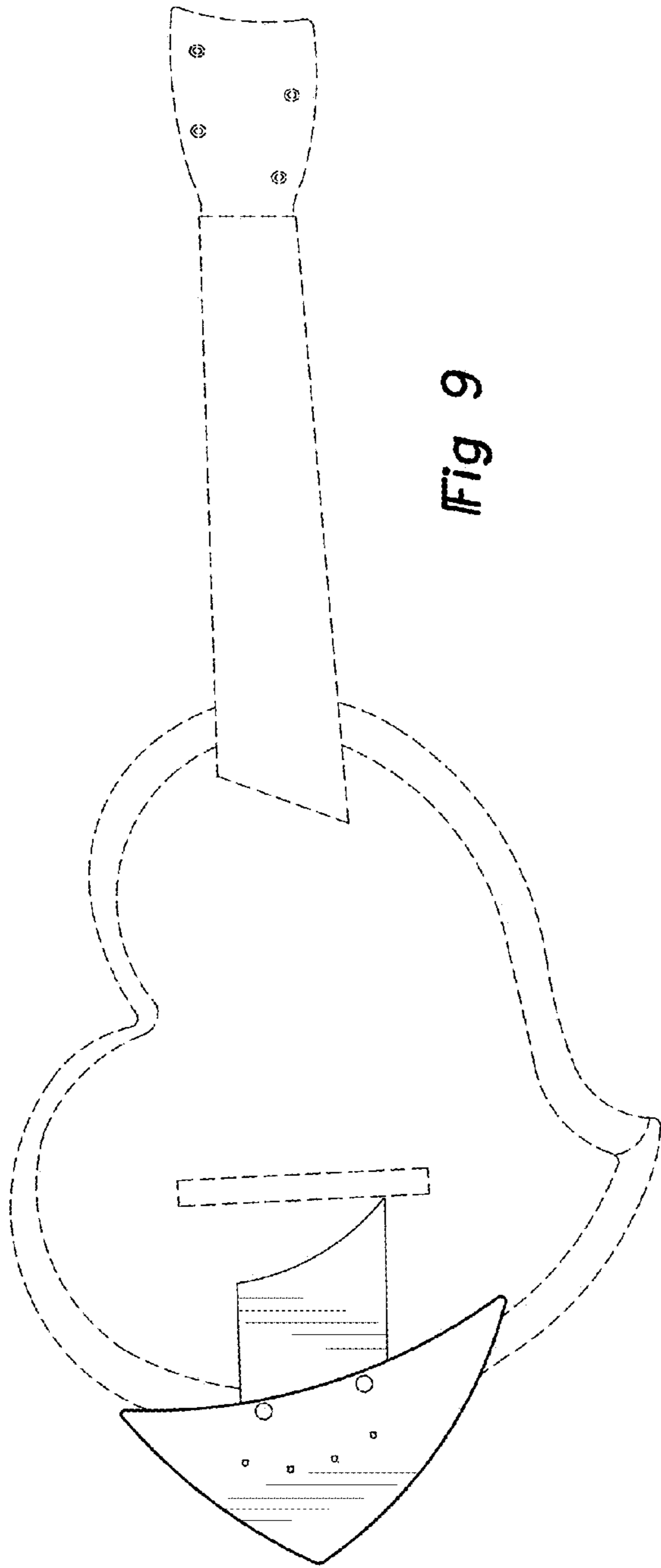


Fig 9

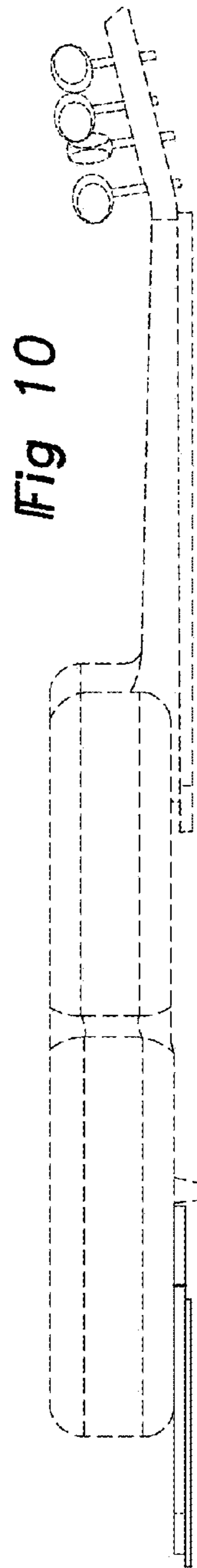


Fig 10

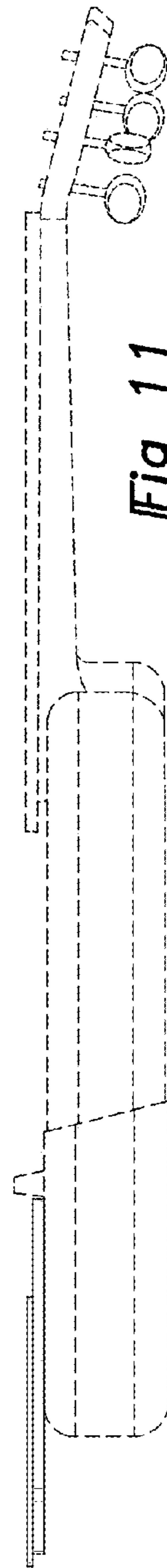


Fig 11

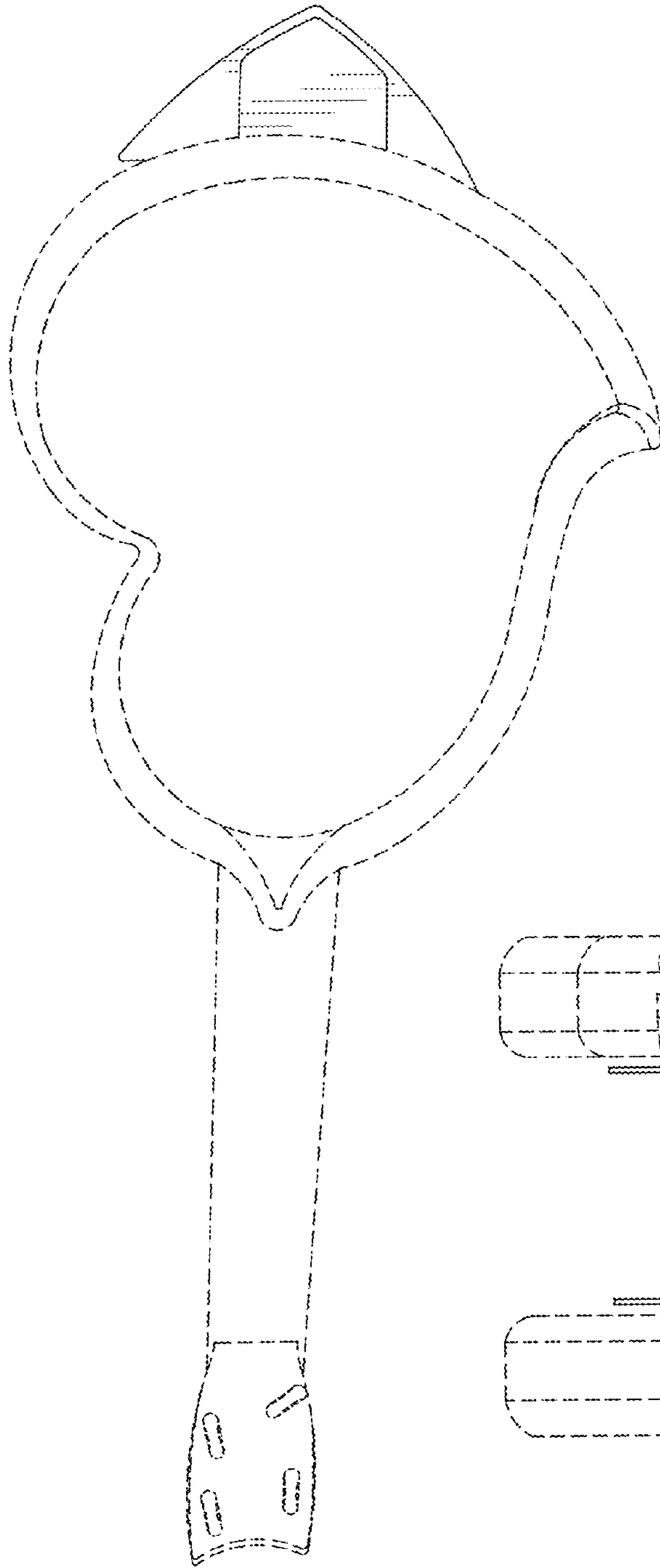


Fig 14

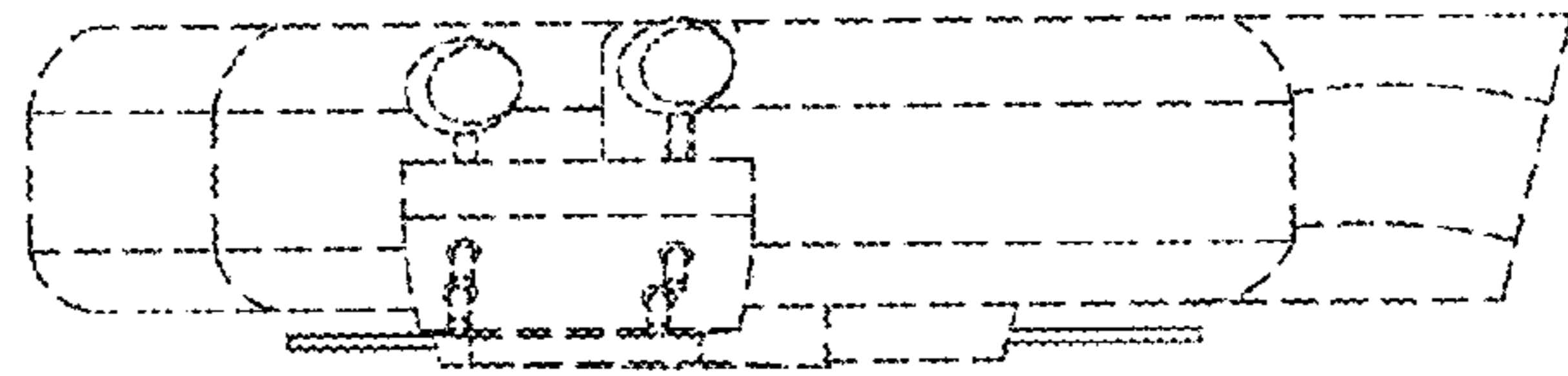


Fig 13

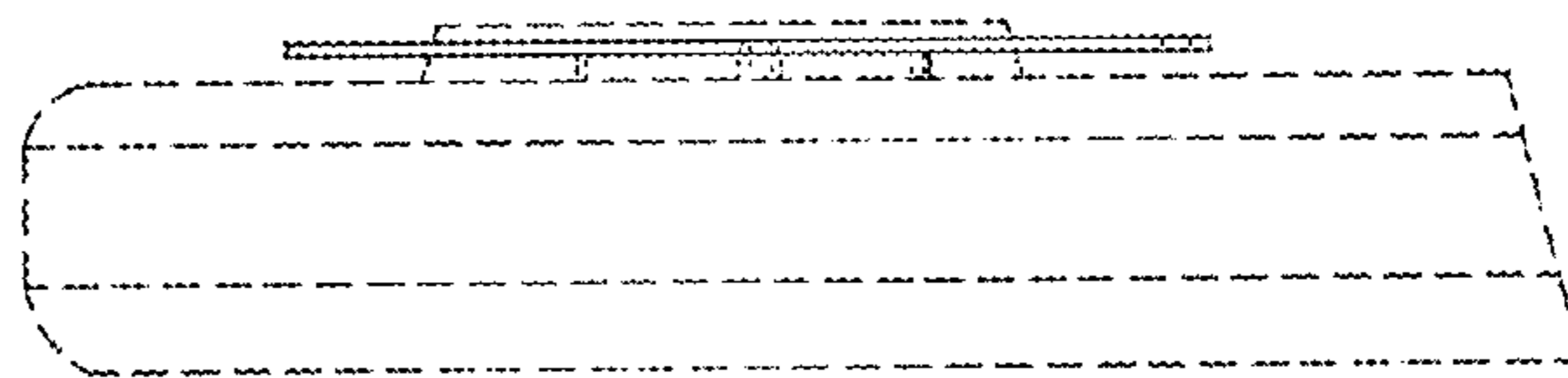


Fig 12