



US00D745083S

(12) **United States Design Patent**  
**Yoo et al.**

(10) **Patent No.:** **US D745,083 S**  
(45) **Date of Patent:** **\*\* Dec. 8, 2015**

(54) **SET OF EYEGLASS COMPONENTS**

D450,745 S 11/2001 Thixton et al.  
6,438,798 B1 \* 8/2002 Chene et al. .... 16/335  
D464,669 S 10/2002 Thixton et al.

(71) Applicant: **Oakley, Inc.**, Foothill Ranch, CA (US)

(Continued)

(72) Inventors: **George Yoo**, Aliso Viejo, CA (US);  
**Jonathan Thompson**, Corona, CA (US)

FOREIGN PATENT DOCUMENTS

(73) Assignee: **Oakley, Inc.**, Foothill Ranch, CA (US)

JP 1161525 12/2002

(\*\*) Term: **14 Years**

OTHER PUBLICATIONS

(21) Appl. No.: **29/477,328**

U.S. Appl. No. 29/471,286, Yoo.

(22) Filed: **Dec. 20, 2013**

*Primary Examiner* — Raphael Barkai

(51) **LOC (10) Cl.** ..... **16-06**

(74) *Attorney, Agent, or Firm* — Knobbe Martens Olson & Bear LLP

(52) **U.S. Cl.**

(57) **CLAIM**

USPC ..... **D16/334**; D16/326

The ornamental design for a set of eyeglass components, as shown and described.

(58) **Field of Classification Search**

**DESCRIPTION**

USPC ..... D16/101, 300–342, 900; D29/109–110;  
351/41, 44, 51–52, 62, 158, 92,  
351/103–123, 140–153, 63, 59, 45–48;  
2/426–432, 447–449, 441, 434–437,  
2/13, 15; D21/483, 659–661; D14/372  
CPC ..... G02C 2200/08; G02C 1/06; G02C 5/14;  
G02C 11/02; G02C 11/04; G02C 5/16;  
G02C 2200/22; G02C 5/146; G02C 5/2254;  
G02C 5/008; G01C 5/16; A61M 2021/0044;  
A63B 33/002

See application file for complete search history.

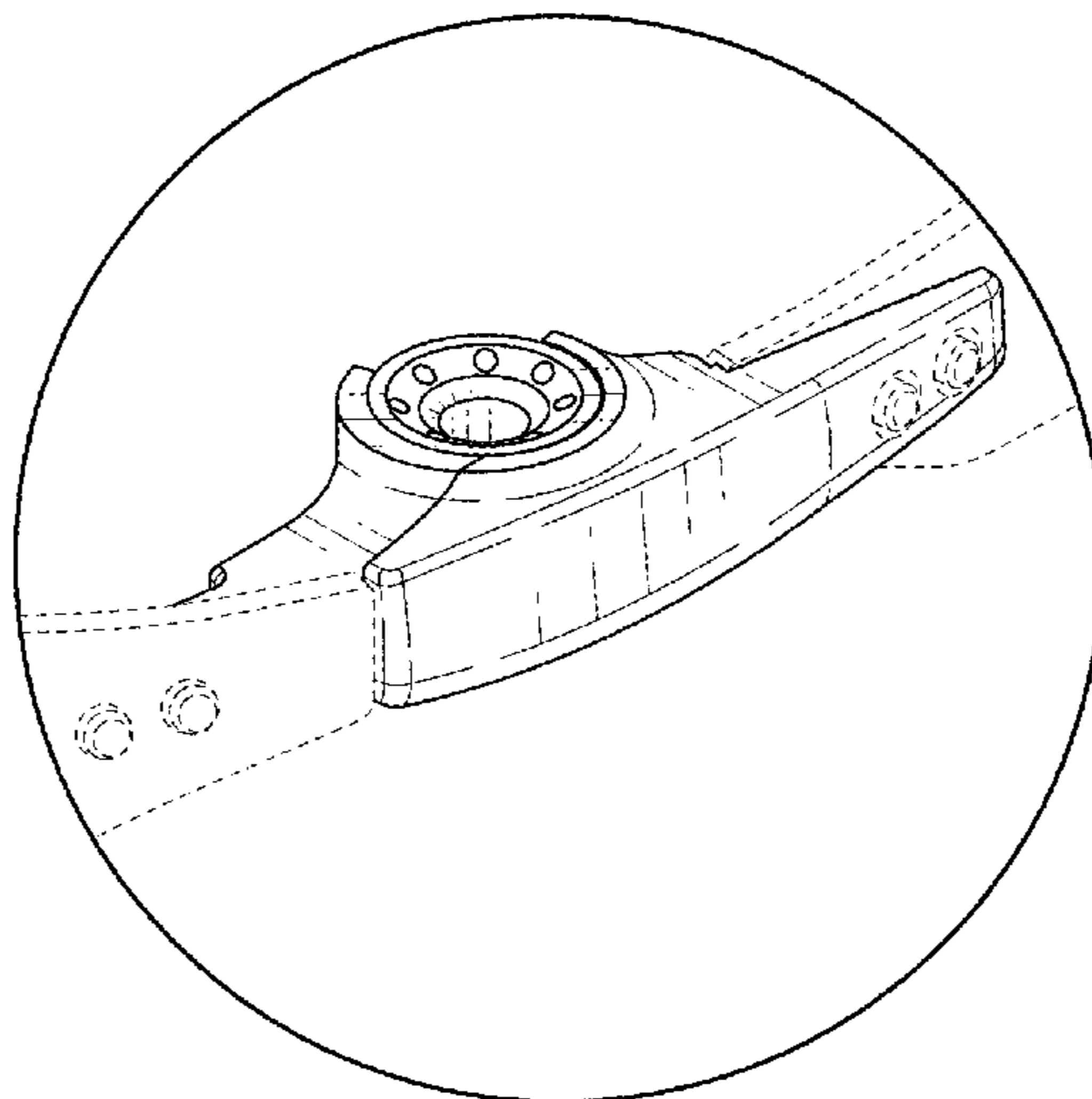
FIG. 1 is a front perspective view of a set of eyeglass components showing an embodiment of our new design; FIG. 2 is a front elevational view thereof; FIG. 3 is a rear elevational view thereof; FIG. 4 is a left side elevational view thereof, the right side elevational view being a mirror image thereof; FIG. 5 is a top plan view thereof; and FIG. 6 is a bottom plan view thereof. FIG. 7 is a close-up left front perspective view of the embodiment of FIG. 1, the close-up right front perspective view being a mirror image thereof; FIG. 8 is a close-up left top plan view of the embodiment of FIG. 5, the close-up right top plan view being a mirror image thereof; and, FIG. 9 is a close-up left bottom plan view of the embodiment of FIG. 6, the close-up right bottom plan view being a mirror image thereof. The dash-dash broken lines in the Figures show portions of the eyeglass which form no part of the claimed design.

(56) **References Cited**

U.S. PATENT DOCUMENTS

D202,658 S 10/1965 Petitto et al.  
3,476,466 A 11/1969 Hopkins et al.  
D369,375 S 4/1996 Jannard et al.  
D401,607 S 11/1998 Miniutti  
D402,305 S 12/1998 Tragatschnig  
5,959,715 A \* 9/1999 Jaffelin ..... 351/113  
D420,036 S 2/2000 Yee et al.  
D423,034 S 4/2000 Arnette  
D424,598 S 5/2000 Simioni  
D433,437 S 11/2000 Yee et al.

**1 Claim, 7 Drawing Sheets**



(56)

References Cited

U.S. PATENT DOCUMENTS

D469,458 S	1/2003	Baden et al.	
D478,114 S	8/2003	Yee	
D500,781 S	1/2005	Mage	
D536,027 S	1/2007	Paulson	
D536,363 S	2/2007	Miklitarian	
D549,764 S	8/2007	Teng	
D553,179 S *	10/2007	Irvine .....	D16/334
D555,187 S	11/2007	Yee	
D558,816 S	1/2008	Yee	
D561,813 S	2/2008	Baden et al.	
D567,843 S	4/2008	Miklitarian	
D571,392 S	6/2008	Miklitarian	
D572,747 S	7/2008	Baden et al.	
D577,759 S	9/2008	Yee	
D580,963 S	11/2008	Yee	
D582,964 S *	12/2008	Fuchs .....	D16/316
D582,965 S *	12/2008	Fuchs .....	D16/316
D586,381 S	2/2009	Yee	
7,497,571 B2 *	3/2009	Rossin .....	351/153
D592,965 S *	5/2009	Bradfield et al. ....	D9/551
D593,593 S *	6/2009	Fuchs .....	D16/315
D597,586 S *	8/2009	Kamiya .....	D16/334
D599,838 S	9/2009	Rohrbach	
D621,438 S	8/2010	Markovitz et al.	
7,794,080 B2 *	9/2010	Zelazowski .....	351/153
D629,444 S	12/2010	Akara et al.	
D633,940 S *	3/2011	Preuer-Lackner .....	D16/335
D639,182 S	6/2011	Nixon	
D645,076 S	9/2011	Markovitz et al.	
8,020,988 B2	9/2011	Ogren et al.	
D650,825 S	12/2011	Yee et al.	
D652,442 S	1/2012	Yee et al.	
D654,947 S	2/2012	Shin et al.	
D655,741 S	3/2012	Yee	
D658,226 S *	4/2012	Sierra et al. ....	D16/334
D659,182 S	5/2012	Shin et al.	
D661,723 S *	6/2012	Fuchs .....	D16/335
D662,124 S	6/2012	Shin	
D662,125 S	6/2012	Yee	
D662,536 S	6/2012	Shin	
D662,967 S	7/2012	Shin	
8,240,846 B2	8/2012	Ogren et al.	
D676,480 S	2/2013	Shin	
D682,924 S *	5/2013	Cheung .....	D16/334
D692,046 S *	10/2013	Fuchs .....	D16/315
D712,452 S *	9/2014	Fuchs .....	D16/335
8,915,587 B2 *	12/2014	Iimura .....	351/114

\* cited by examiner

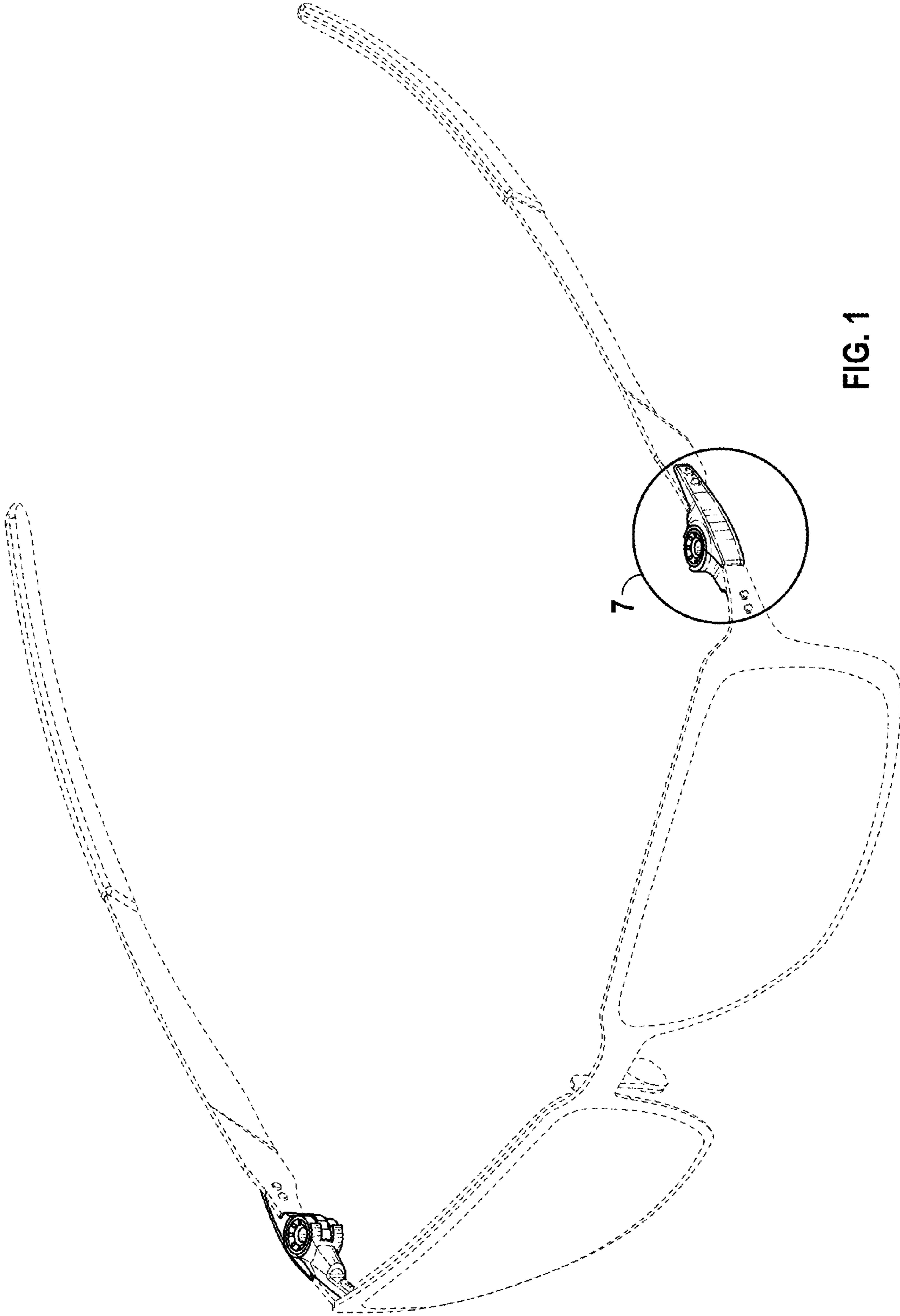


FIG. 1

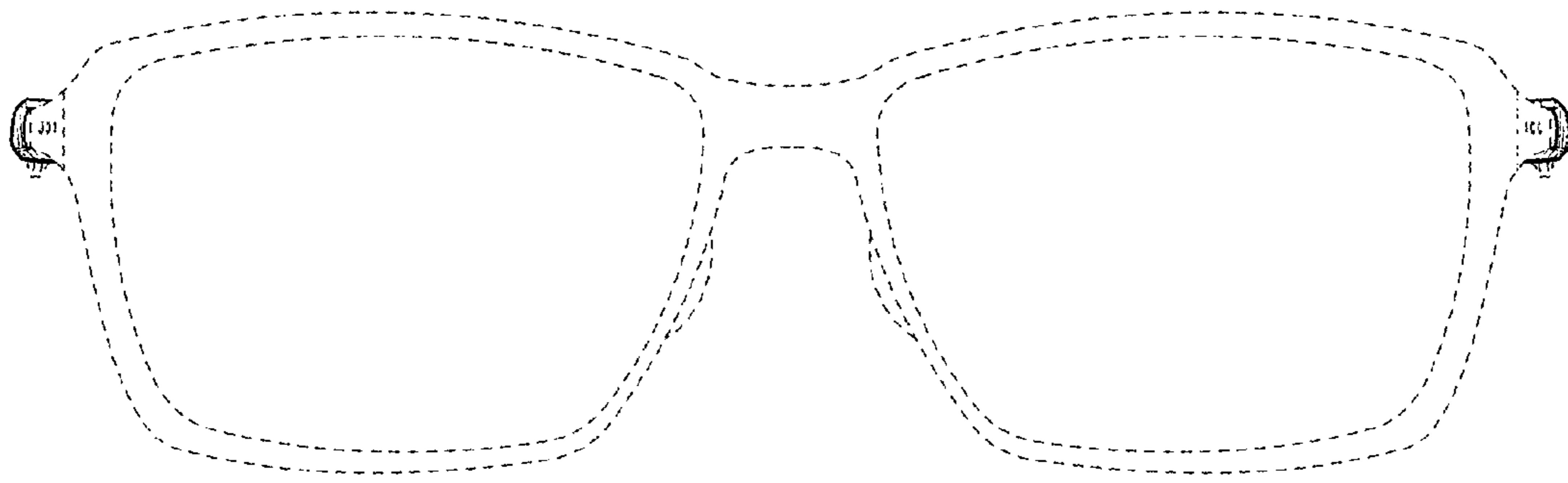


FIG. 2

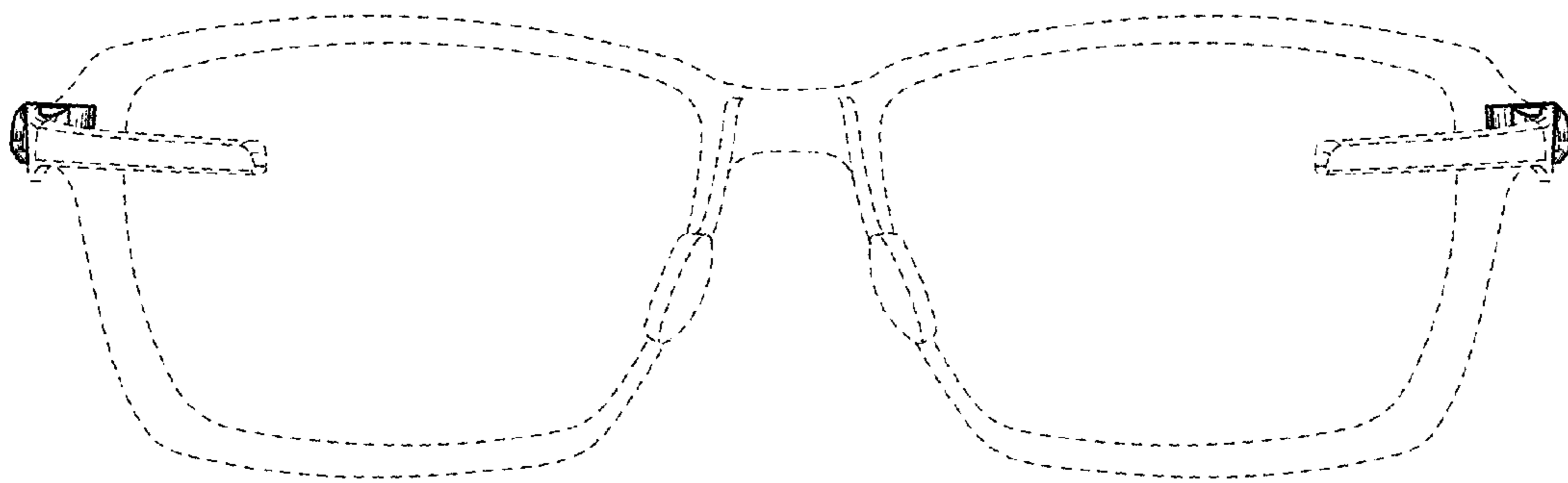


FIG. 3

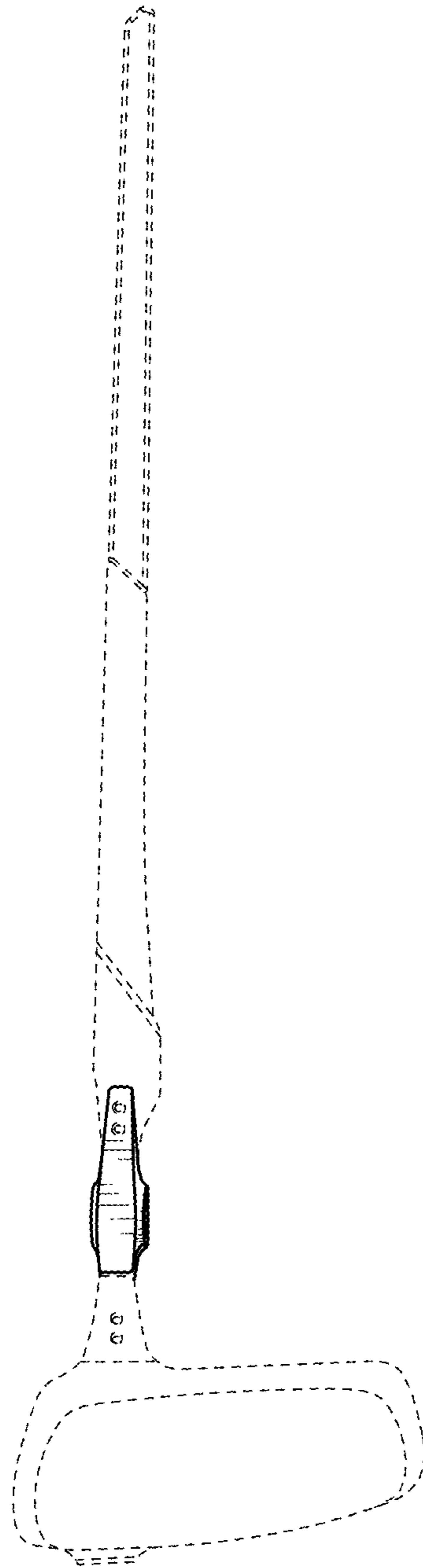


FIG. 4



FIG. 5



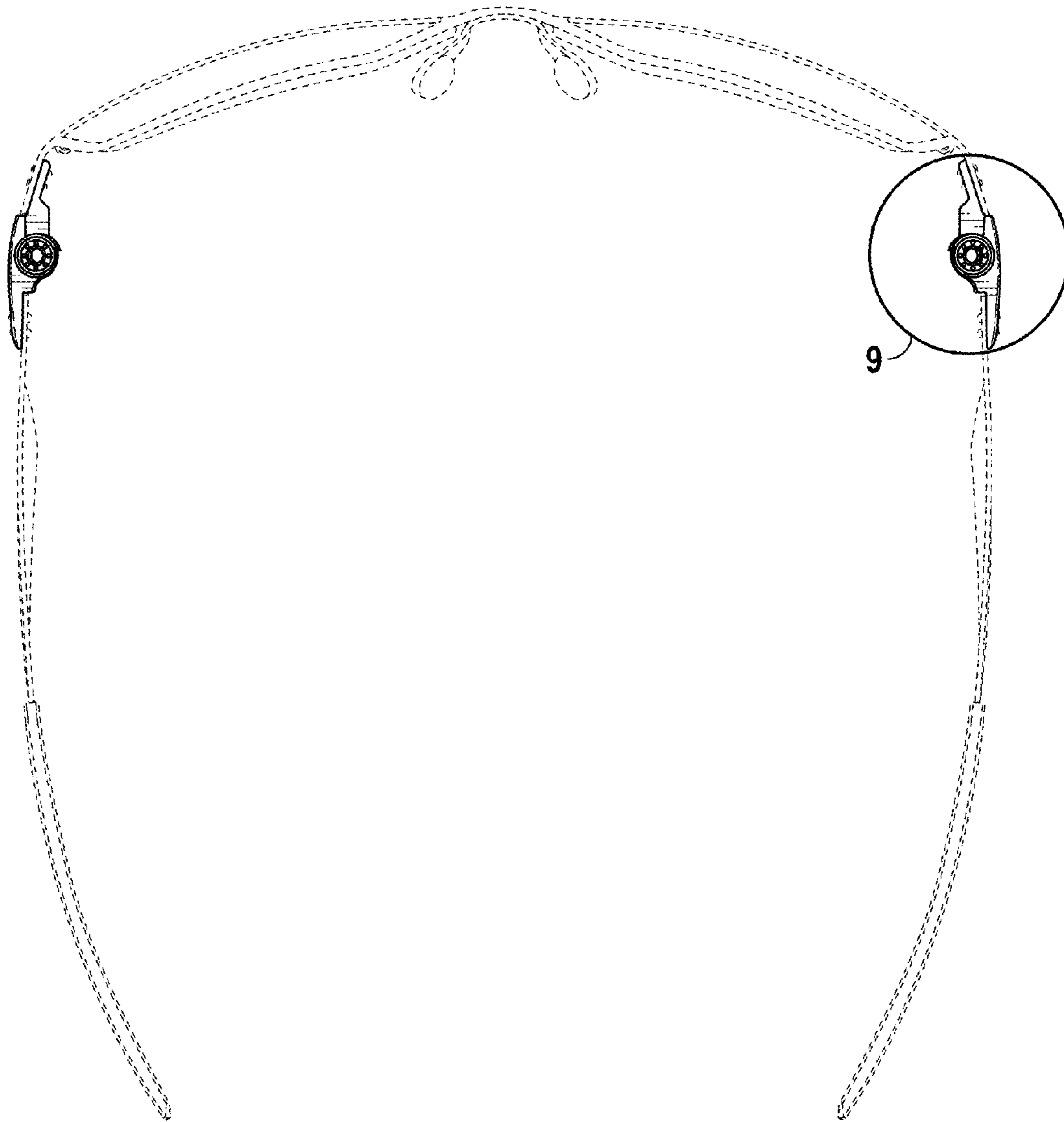


FIG. 6

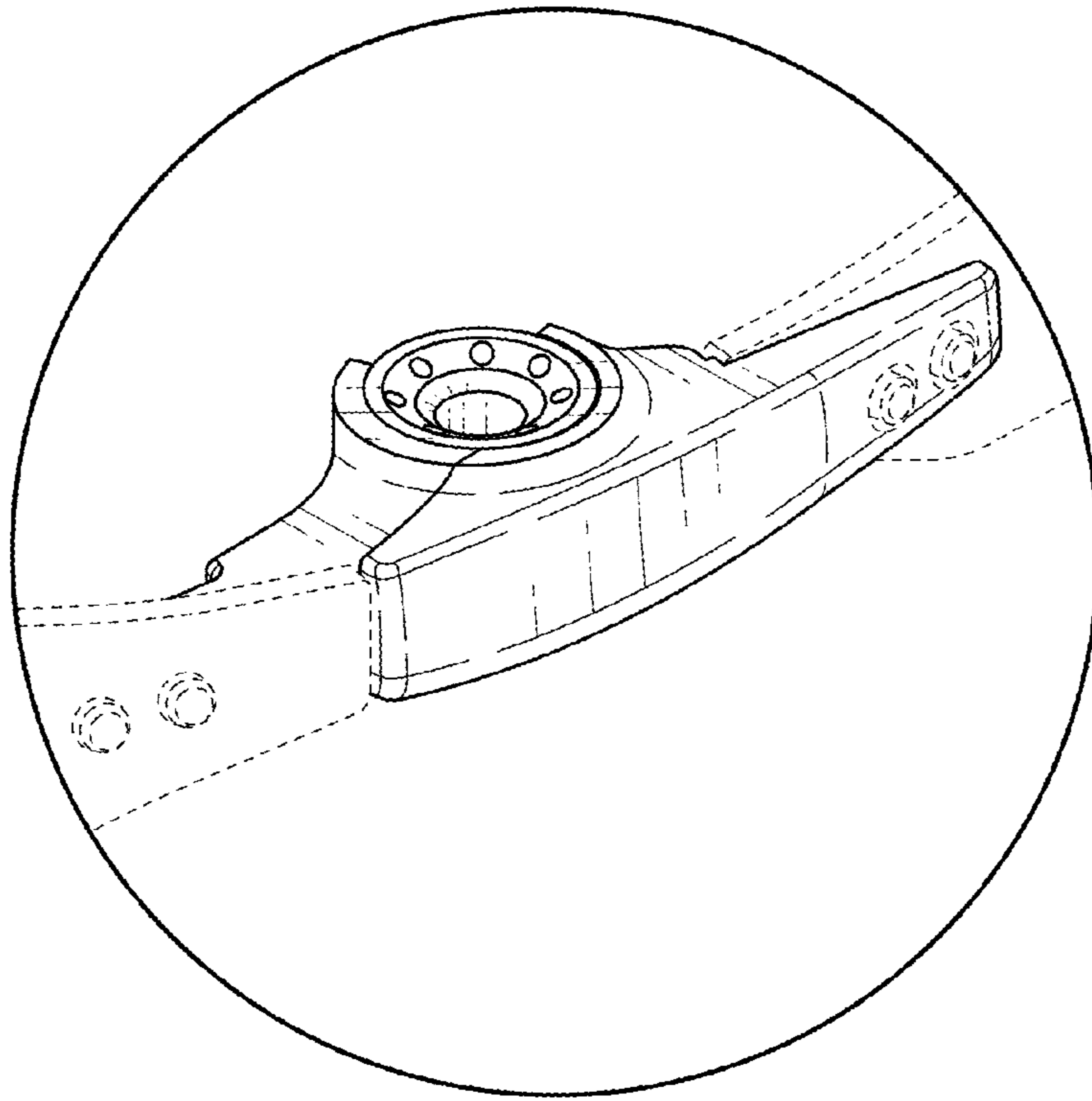


FIG. 7

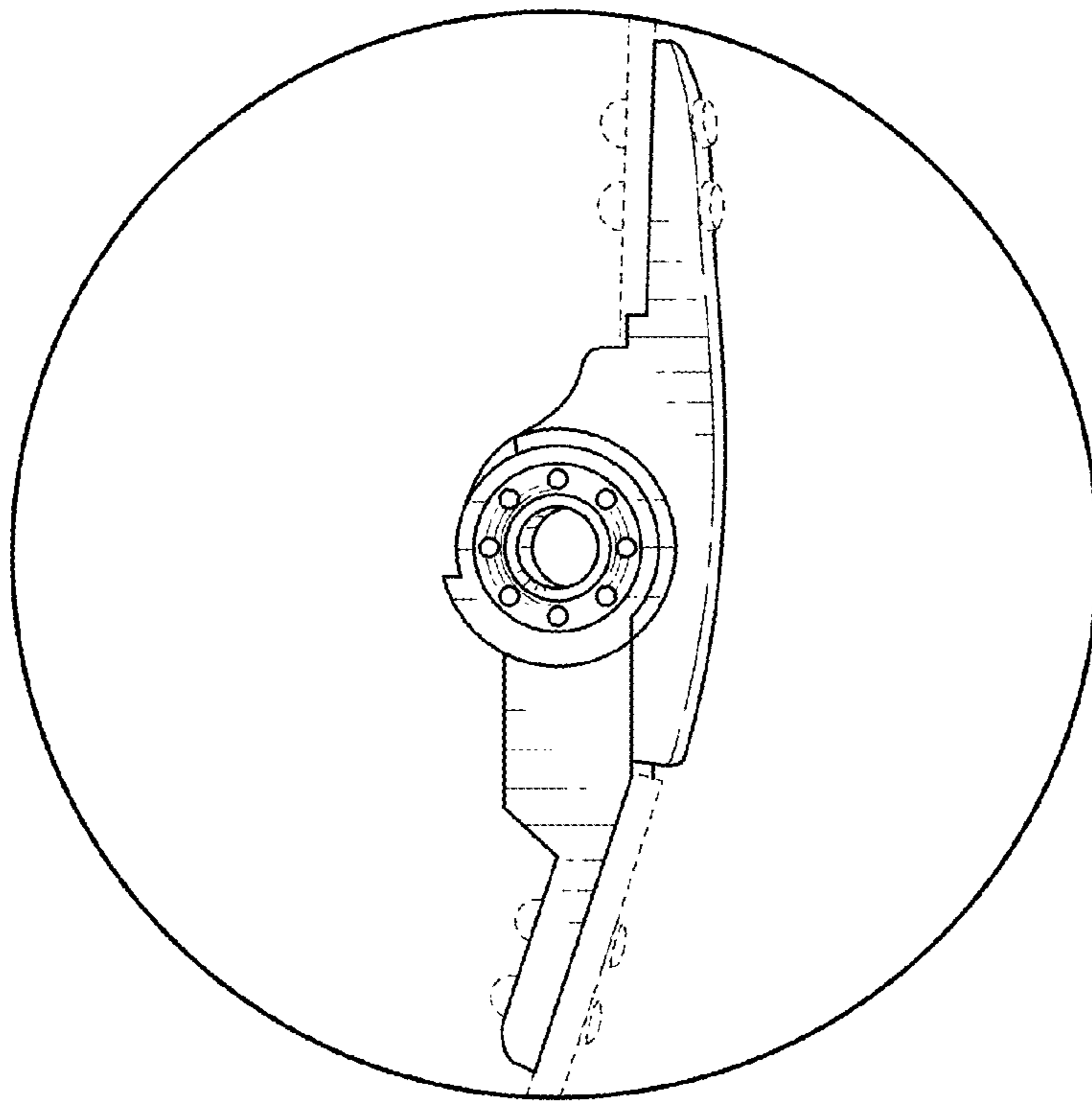


FIG. 8



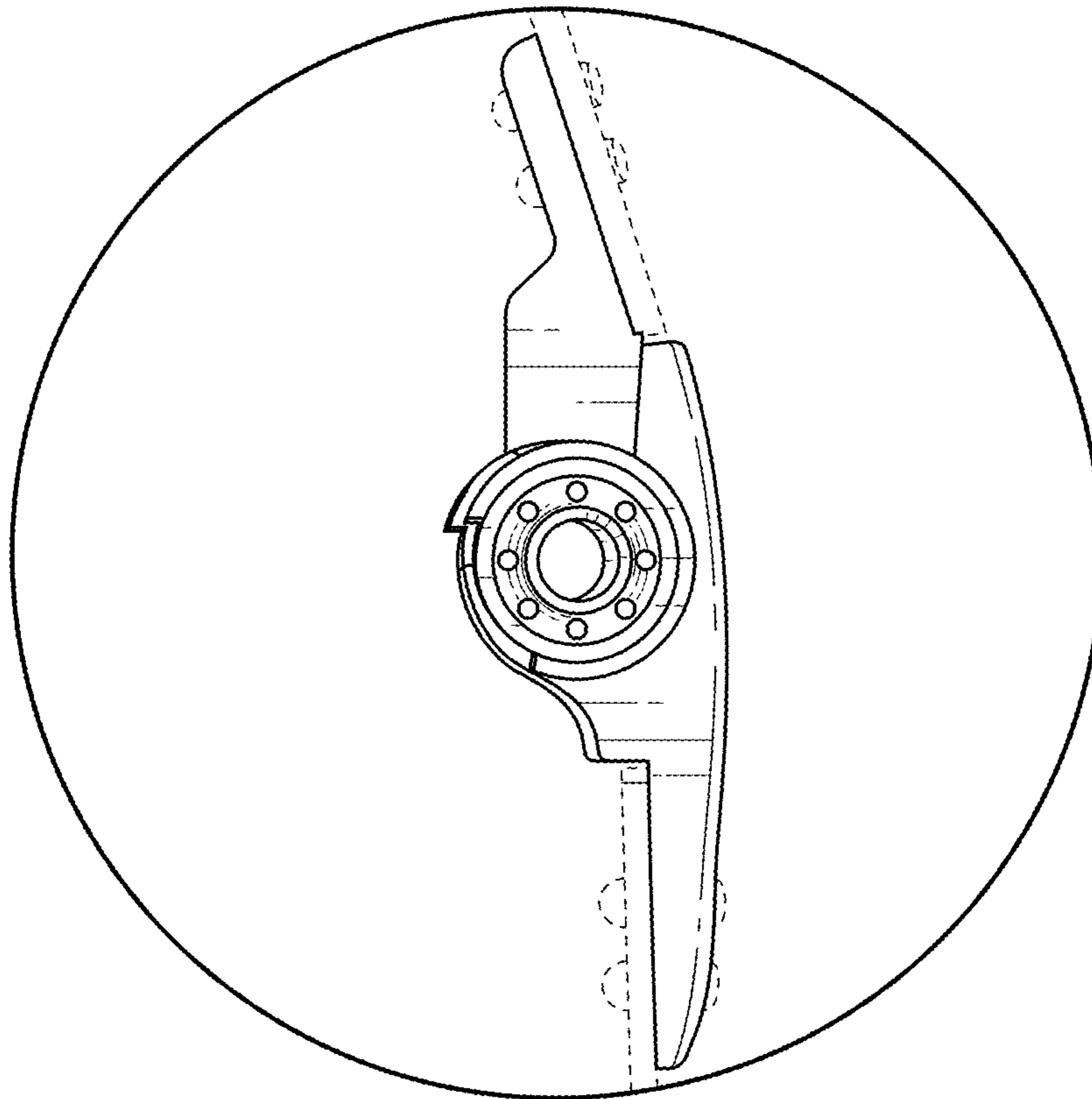


FIG. 9