



US00D745082S

(12) **United States Design Patent**
Ooba et al.

(10) **Patent No.:** **US D745,082 S**
(45) **Date of Patent:** **** Dec. 8, 2015**

- (54) **SWIMMING GOGGLES**
- (71) Applicant: **YAMAMOTO KOGAKU CO., LTD.**,
Higashiosaka-shi, Osaka (JP)
- (72) Inventors: **Tomoyuki Ooba**, Higashiosaka (JP);
Hiroki Hashimoto, Higashiosaka (JP)
- (73) Assignee: **YAMAMOTO KOGAKU CO., LTD.**,
Osaka (JP)
- (**) Term: **14 Years**
- (21) Appl. No.: **29/485,873**
- (22) Filed: **Mar. 24, 2014**
- (30) **Foreign Application Priority Data**
Sep. 30, 2013 (JP) 2013-022695
- (51) **LOC (10) Cl.** **16-06**
- (52) **U.S. Cl.**
USPC **D16/311**
- (58) **Field of Classification Search**
USPC D16/101, 300-342, 900; D29/109-110;
351/41, 44, 51-52, 62, 158, 92,
351/103-123, 140-153, 63, 59, 45-48;
2/426-432, 447-449, 441, 434-437,
2/440, 442, 13, 15; D21/483, 659-661;
D14/372
CPC G02C 2200/08; G02C 1/06; G02C 5/14;
G02C 11/02; G02C 11/04; G01C 5/16;
A61M 2021/0044; A63B 33/002
See application file for complete search history.

- (56) **References Cited**
U.S. PATENT DOCUMENTS
D377,038 S * 12/1996 Yashiro D16/311
D391,283 S * 2/1998 Yamamoto D16/311

- D435,057 S * 12/2000 Chen D16/303
- 7,159,250 B2 * 1/2007 Chiang 2/426
- D566,745 S * 4/2008 Urabe D16/311
- D574,033 S * 7/2008 Isaac D16/311
- D585,472 S * 1/2009 Chiang D16/311
- D585,473 S * 1/2009 Chiang D16/311
- D658,702 S * 5/2012 Furniss et al. D16/311
- D696,337 S * 12/2013 Chiang D16/303
- D717,863 S * 11/2014 Chiang D16/303
- D723,611 S * 3/2015 Chiang D16/303

* cited by examiner

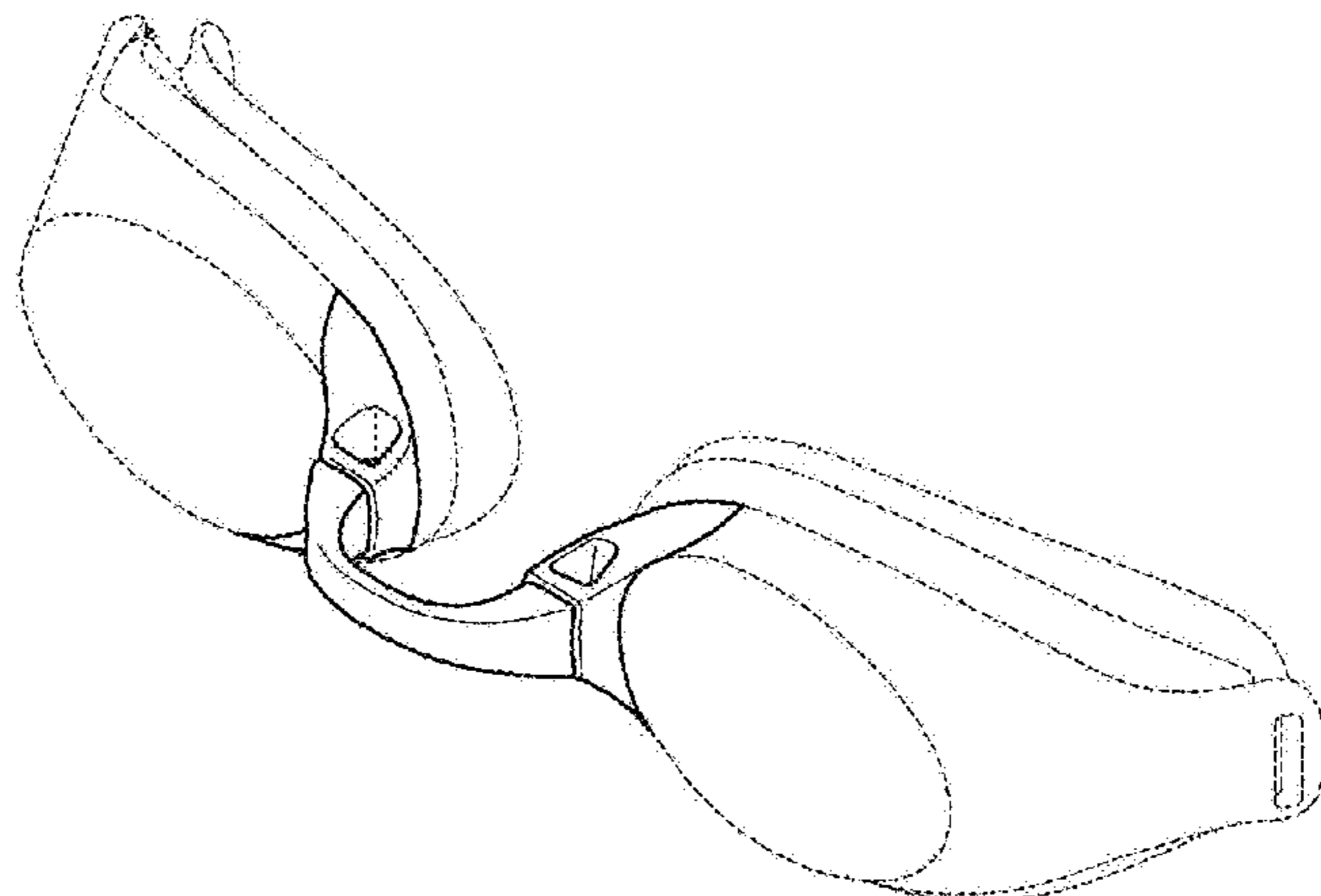
Primary Examiner — Raphael Barkai
(74) *Attorney, Agent, or Firm* — Heslin Rothenberg Farley & Mesiti P.C.

(57) **CLAIM**
The ornamental design for swimming goggles, as shown and described.

DESCRIPTION

FIG. 1 is a perspective view of the swimming goggles of the present invention;
FIG. 2 is a front elevation view thereof;
FIG. 3 is a rear elevation view thereof;
FIG. 4 is a top plan view thereof, the bottom plan view being a mirror image thereof;
FIG. 5 is a right side elevation view thereof; the left side elevation view being a mirror image thereof;
FIG. 6 is a section view thereof taken along line A-A of FIG. 2;
FIG. 7 is a section view thereof taken along line B-B of FIG. 4;
FIG. 8 is a section view taken thereof along line C-C of FIG. 4; and,
FIG. 9 is a perspective view of the swimming goggles with a belt attached thereto.
The broken lines in the figures represent environmental structure and form no part of the claimed invention.

1 Claim, 4 Drawing Sheets



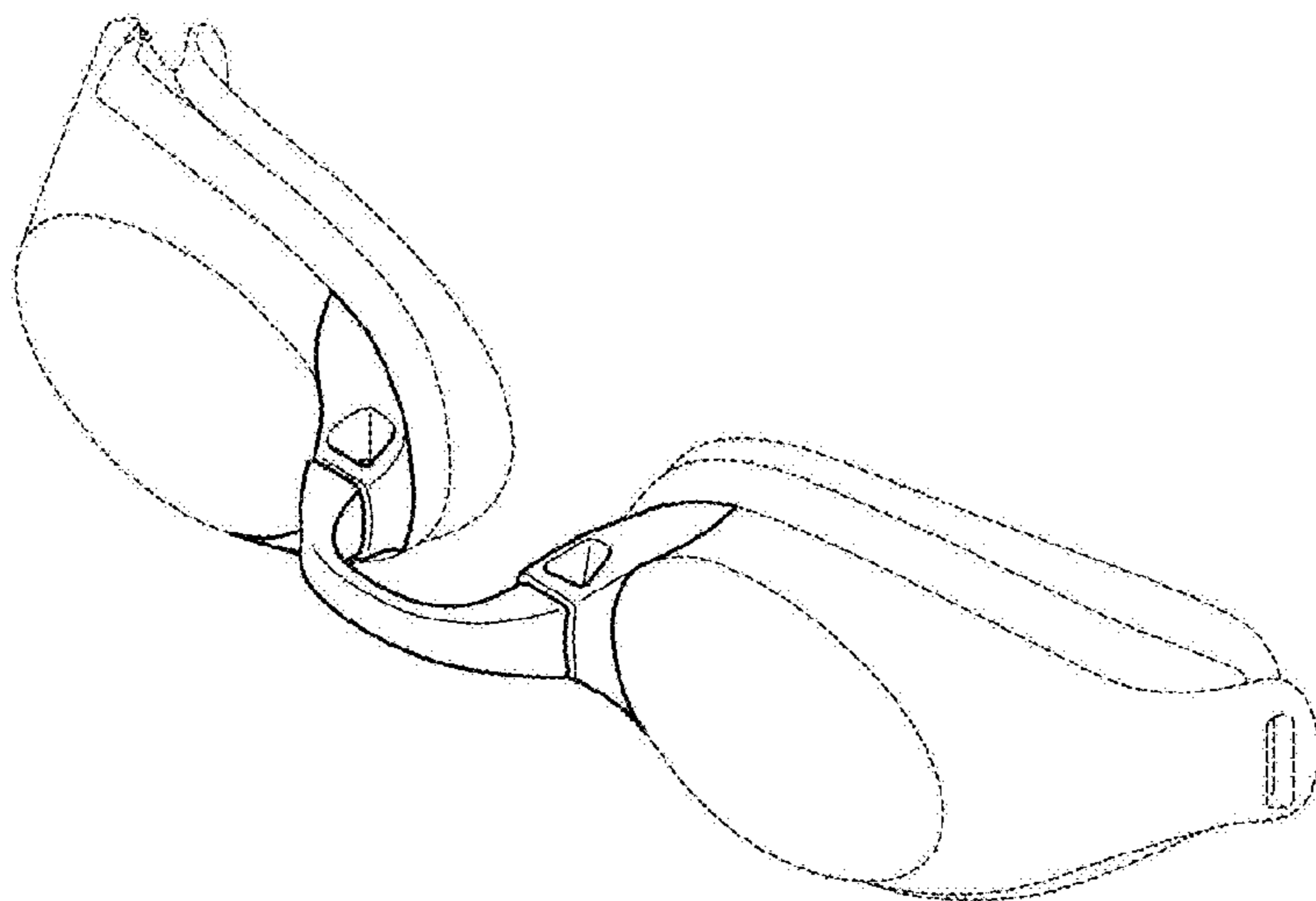


FIG. 1

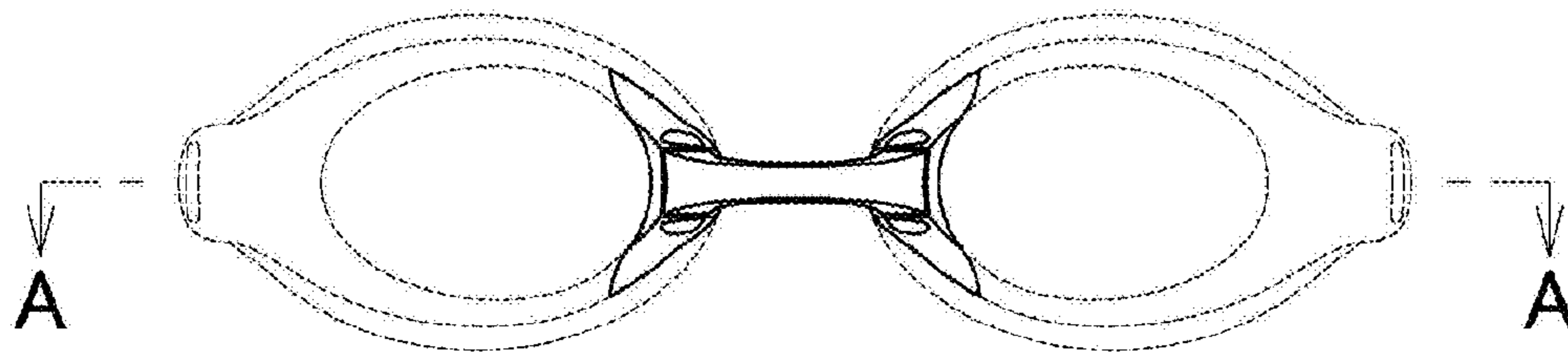


FIG. 2

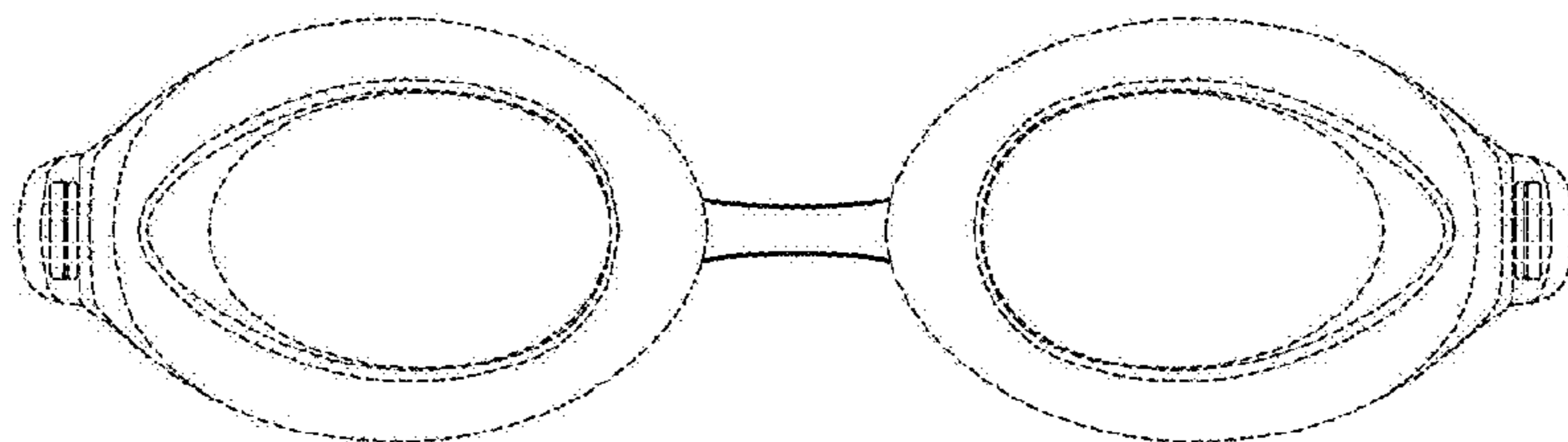


FIG. 3

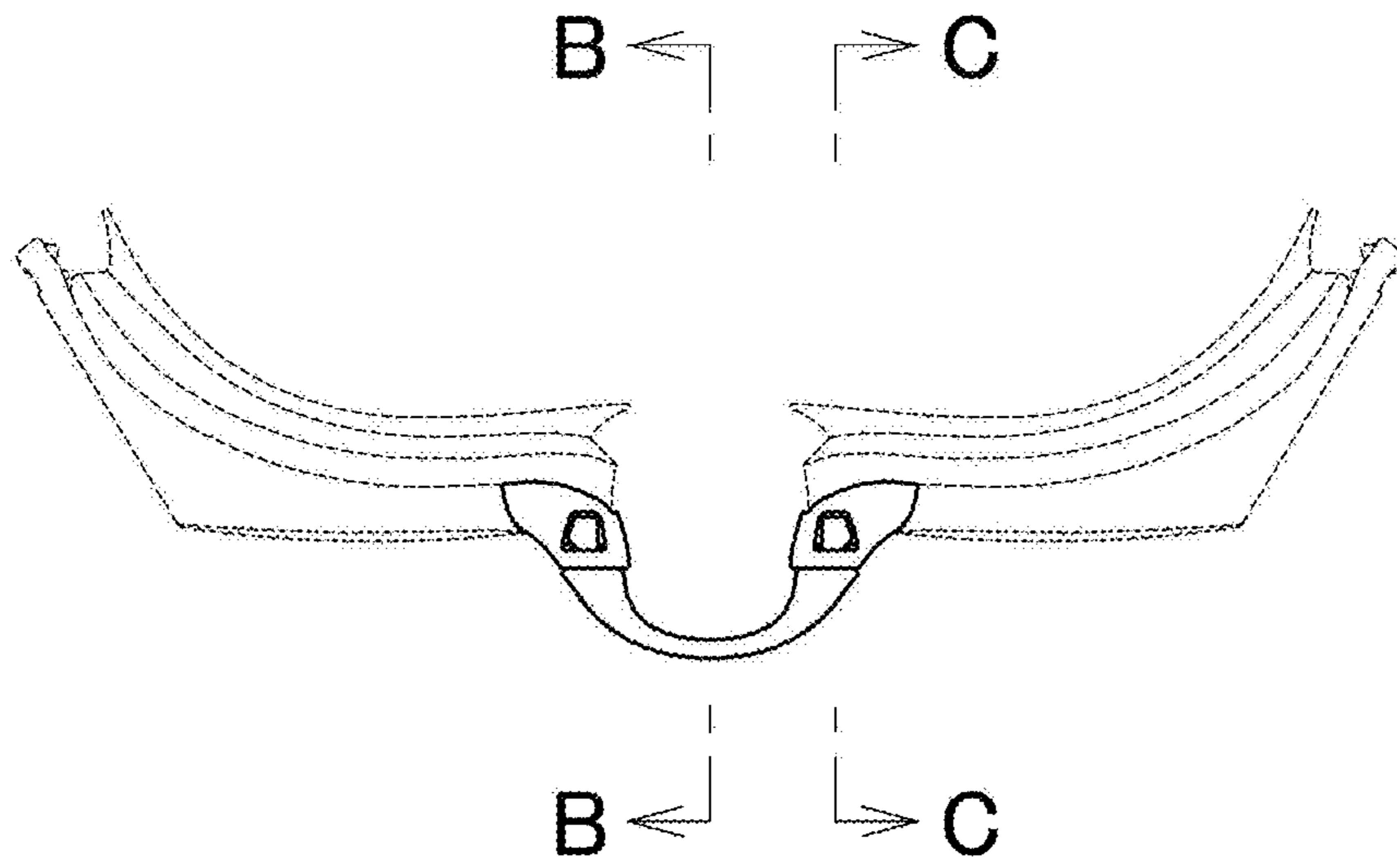


FIG. 4

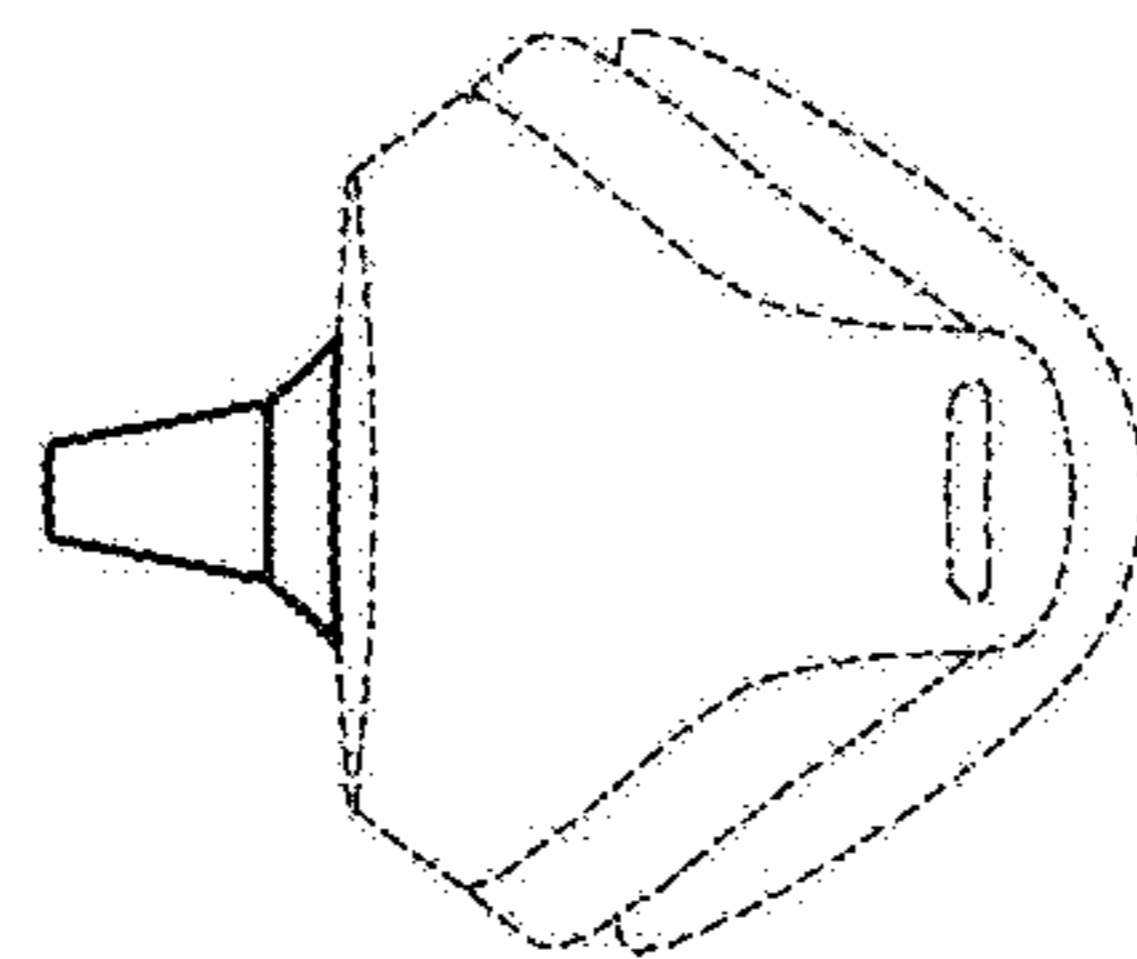


FIG. 5

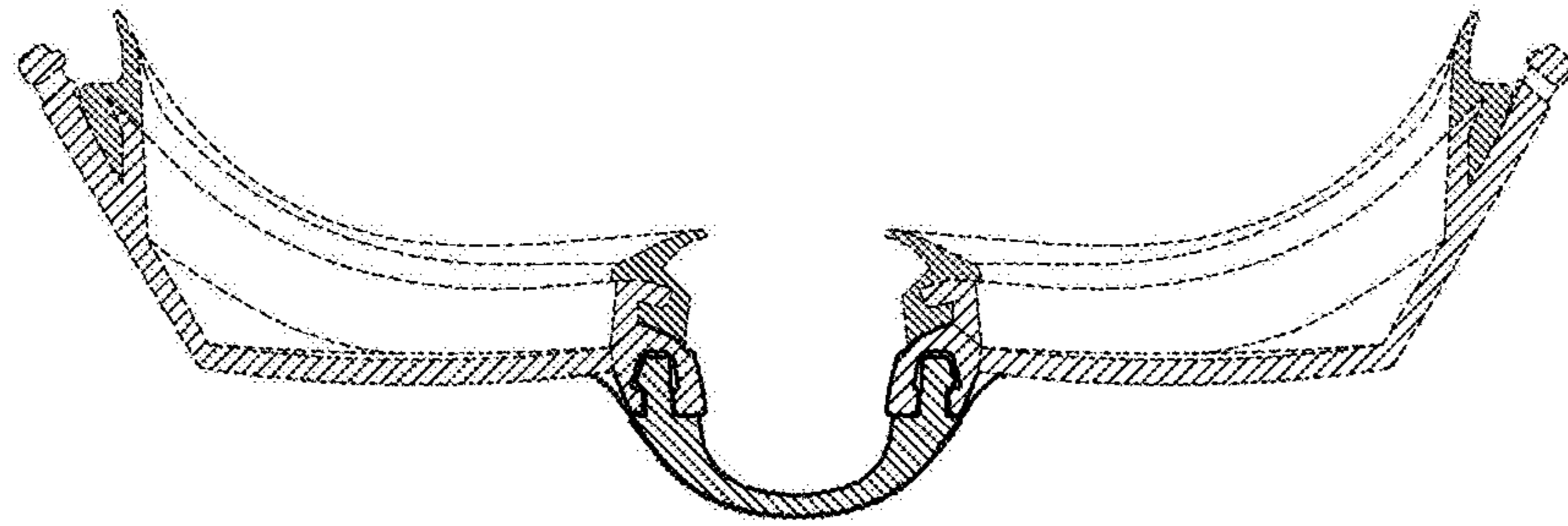


FIG. 6

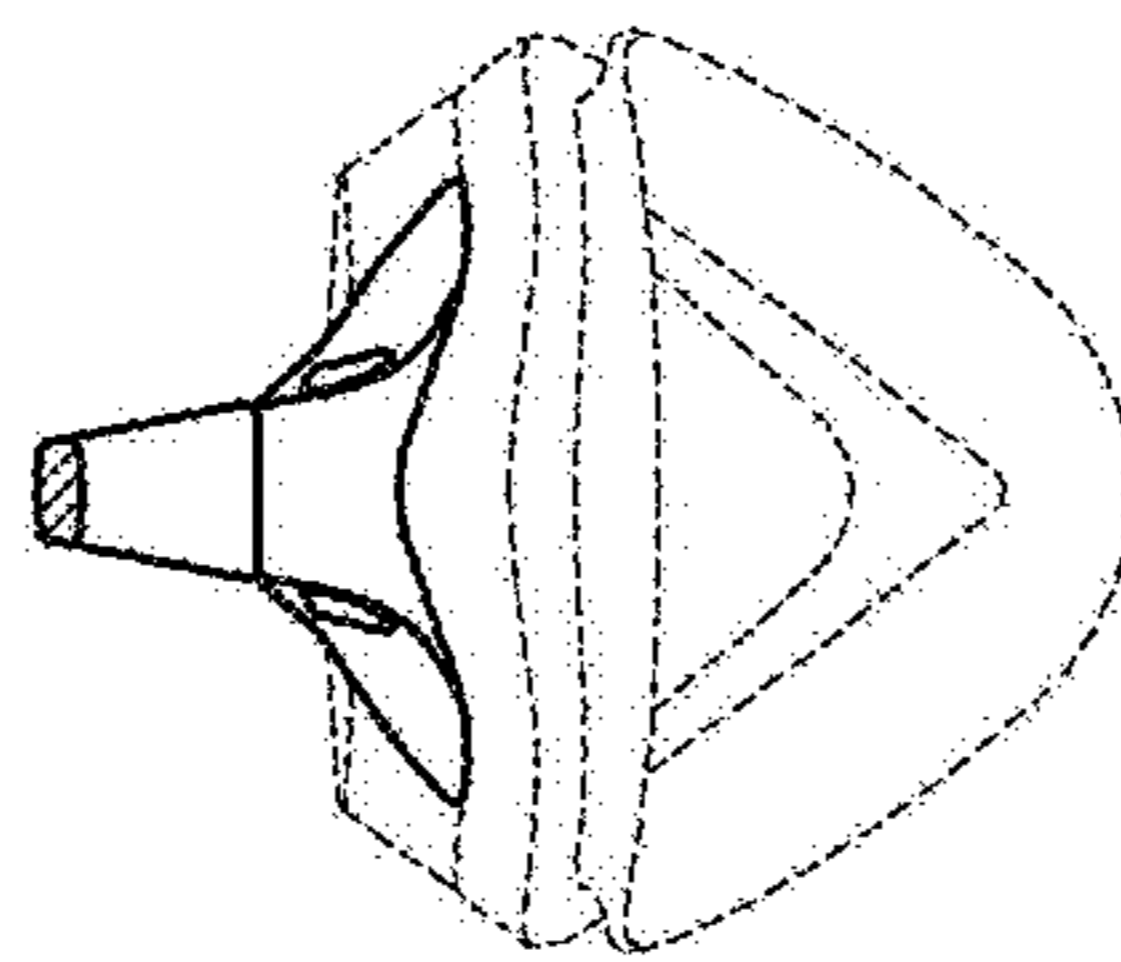


FIG. 7

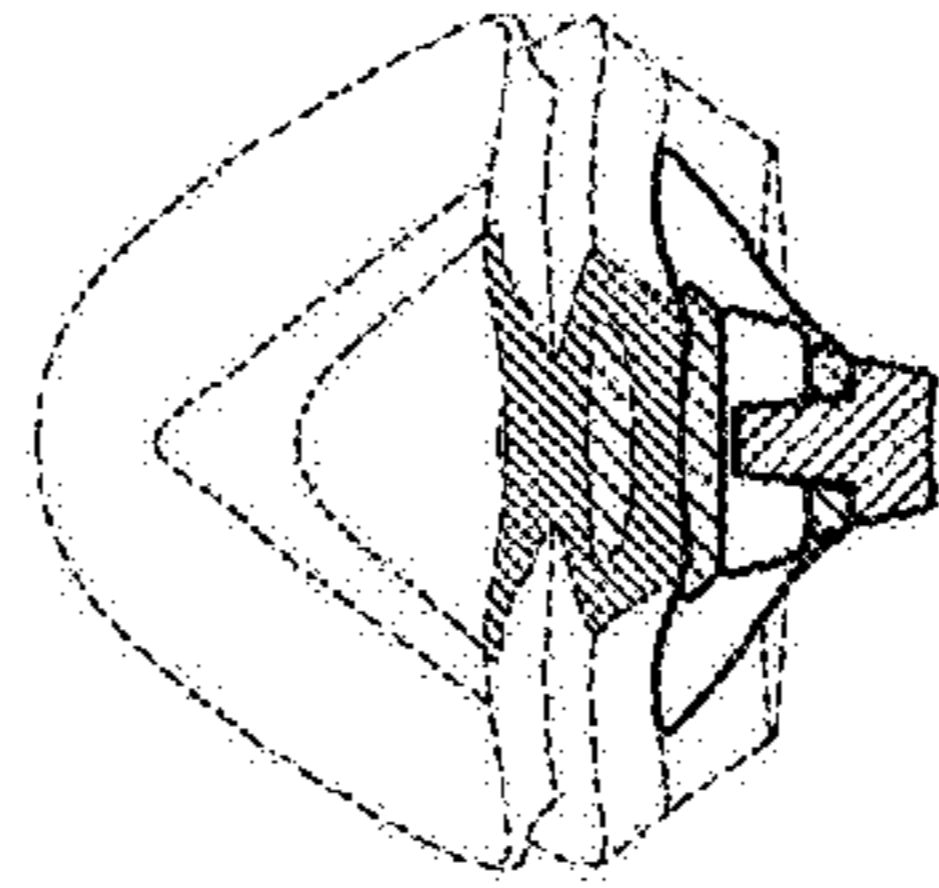


FIG. 8

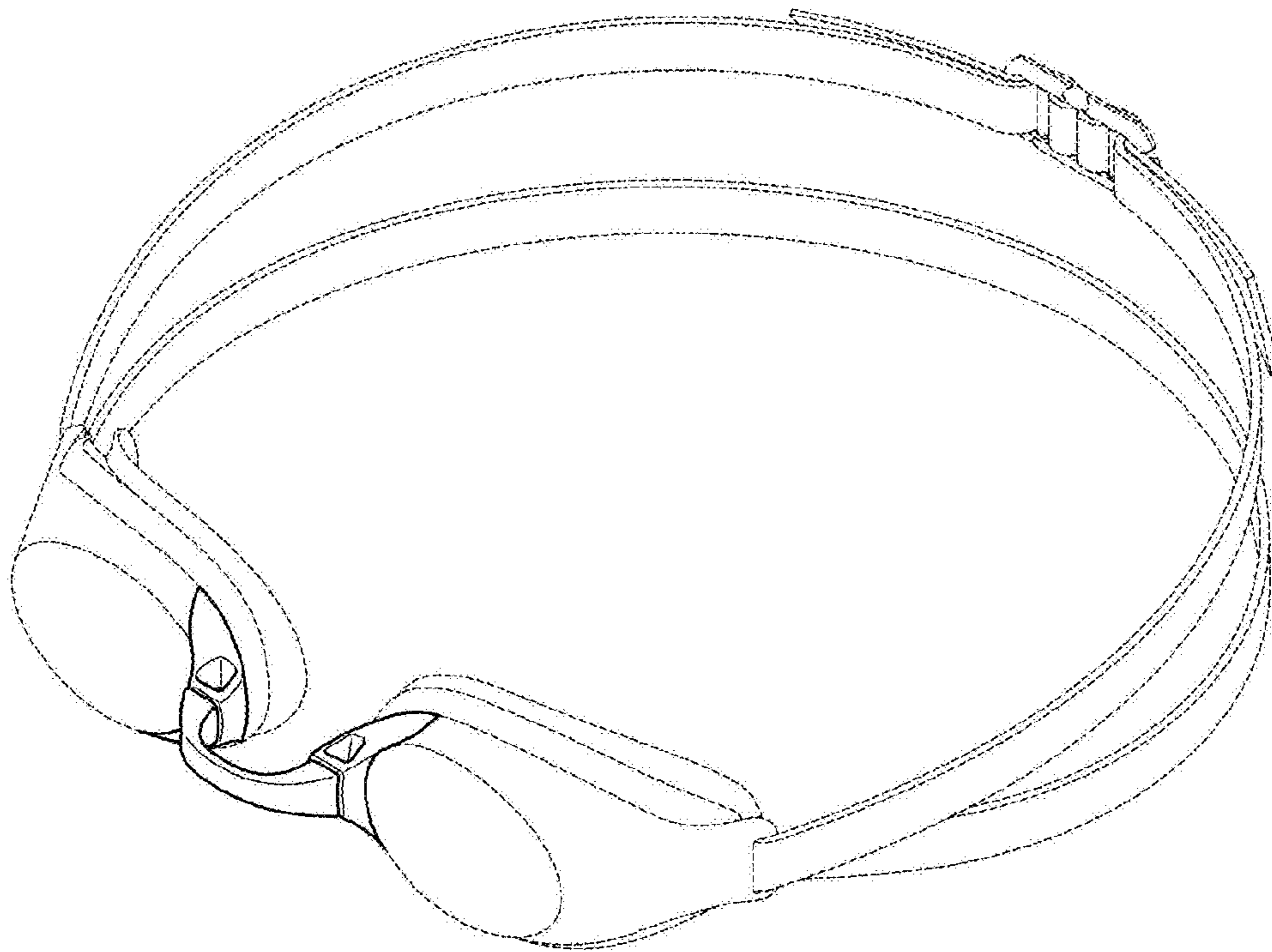


FIG. 9