



US00D745080S

(12) **United States Design Patent**
Masano et al.

(10) **Patent No.:** **US D745,080 S**
(45) **Date of Patent:** **** Dec. 8, 2015**

(54) **ADAPTER FOR DIGITAL STILL CAMERAS**

(71) Applicant: **Panasonic Corporation**, Osaka (JP)

(72) Inventors: **Kouji Masano**, Osaka (JP); **Yoshikazu Aoyagi**, Osaka (JP)

(73) Assignee: **Panasonic Intellectual Property Management Co., Ltd.**, Osaka (JP)

(**) Term: **14 Years**

(21) Appl. No.: **29/494,144**

(22) Filed: **Jun. 18, 2014**

(30) **Foreign Application Priority Data**

Jan. 20, 2014 (JP) 2014-000890

(51) **LOC (10) Cl.** **16-05**

(52) **U.S. Cl.**
USPC **D16/237**

(58) **Field of Classification Search**
USPC D16/134, 136, 208, 213-219, 235, 237,
D16/239-242, 245; D14/203.4, 217, 218,
D14/250, 345, 440, 449; D3/205, 227, 247,
D3/263, 267, 268, 298; D13/103, 108, 168
CPC G03B 17/02-17/04; G03B 17/14;
G03B 17/56; G03B 17/561-17/568; G03B
21/20-21/2066; G03B 15/041-15/0436;
G02B 7/02-7/04; G02B 7/14; H04N
5/2251-5/2254

See application file for complete search history.

(56) **References Cited**

U.S. PATENT DOCUMENTS

5,325,143 A * 6/1994 Kawano G03B 17/02
396/420
D349,125 S * 7/1994 Wilson D13/108

D427,223 S * 6/2000 Shimamura D16/242
D456,348 S * 4/2002 Funakoshi D13/103
D481,007 S * 10/2003 Takahashi D13/103
D496,332 S * 9/2004 Naito D13/103
D503,185 S * 3/2005 Haga D16/242
D509,790 S * 9/2005 Sakai D13/108
D520,945 S * 5/2006 Hayamizu D13/108
D520,946 S * 5/2006 Nasu D13/108
D525,999 S * 8/2006 Matsuda D16/242
D544,899 S * 6/2007 Li D16/242
D617,273 S 6/2010 Sakai

FOREIGN PATENT DOCUMENTS

JP D1067219 4/2000

* cited by examiner

Primary Examiner — Susan Bennett Hattan

Assistant Examiner — Vy Koenig

(74) *Attorney, Agent, or Firm* — Panasonic Patent Center

(57) **CLAIM**

We claim the ornamental design for an adapter for digital still cameras, as shown and described.

DESCRIPTION

FIG. 1 is a front perspective view of an adapter for digital still cameras of the present invention;
FIG. 2 is a rear perspective view thereof;
FIG. 3 is a front view thereof;
FIG. 4 is a rear view thereof;
FIG. 5 is a first side view thereof;
FIG. 6 is a second side view thereof;
FIG. 7 is a top view thereof; and
FIG. 8 is a bottom view thereof.

The broken lines shown in the drawings depict portions of the adapter for digital still camera that form no part of the claimed design.

1 Claim, 8 Drawing Sheets

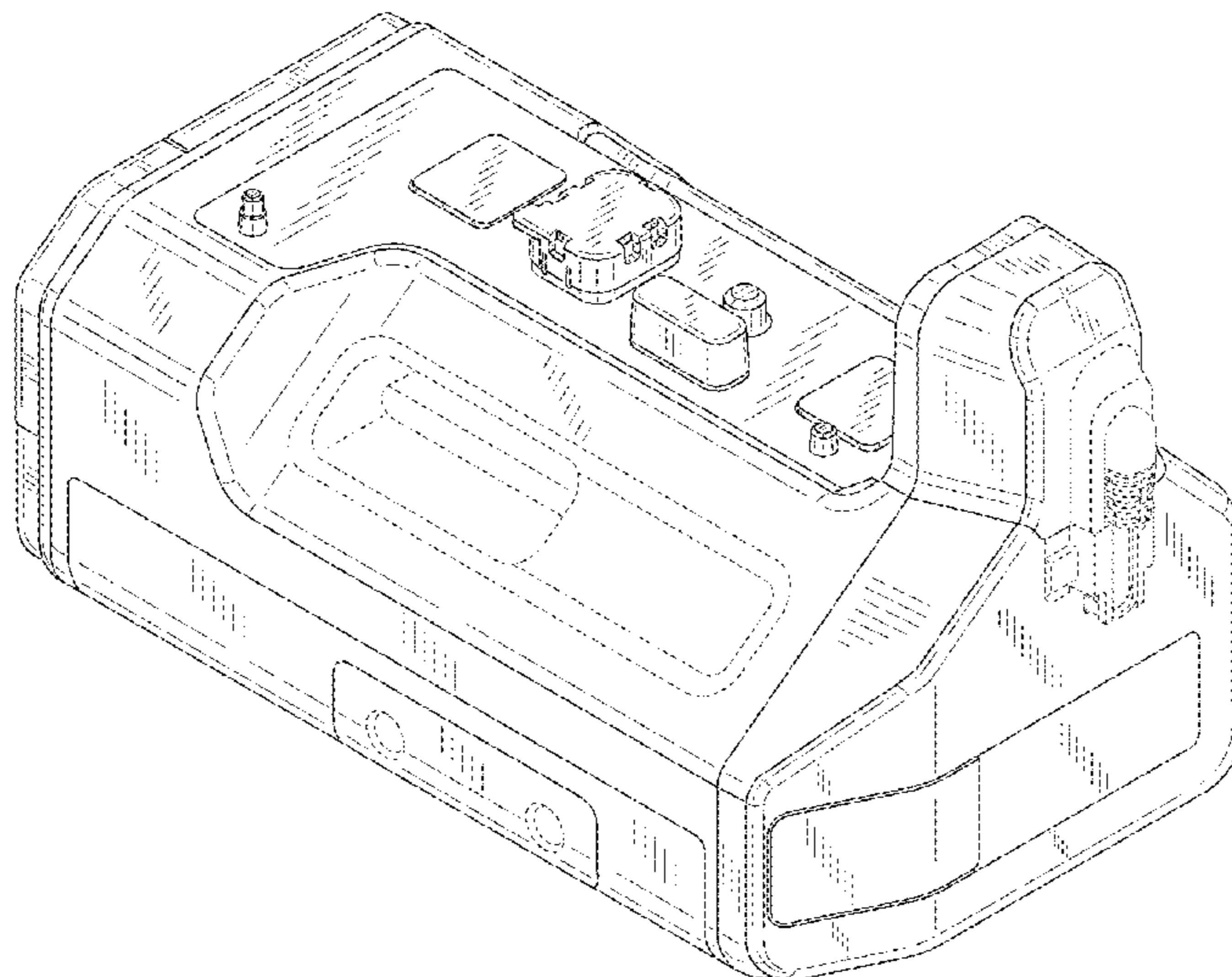


FIG. 1

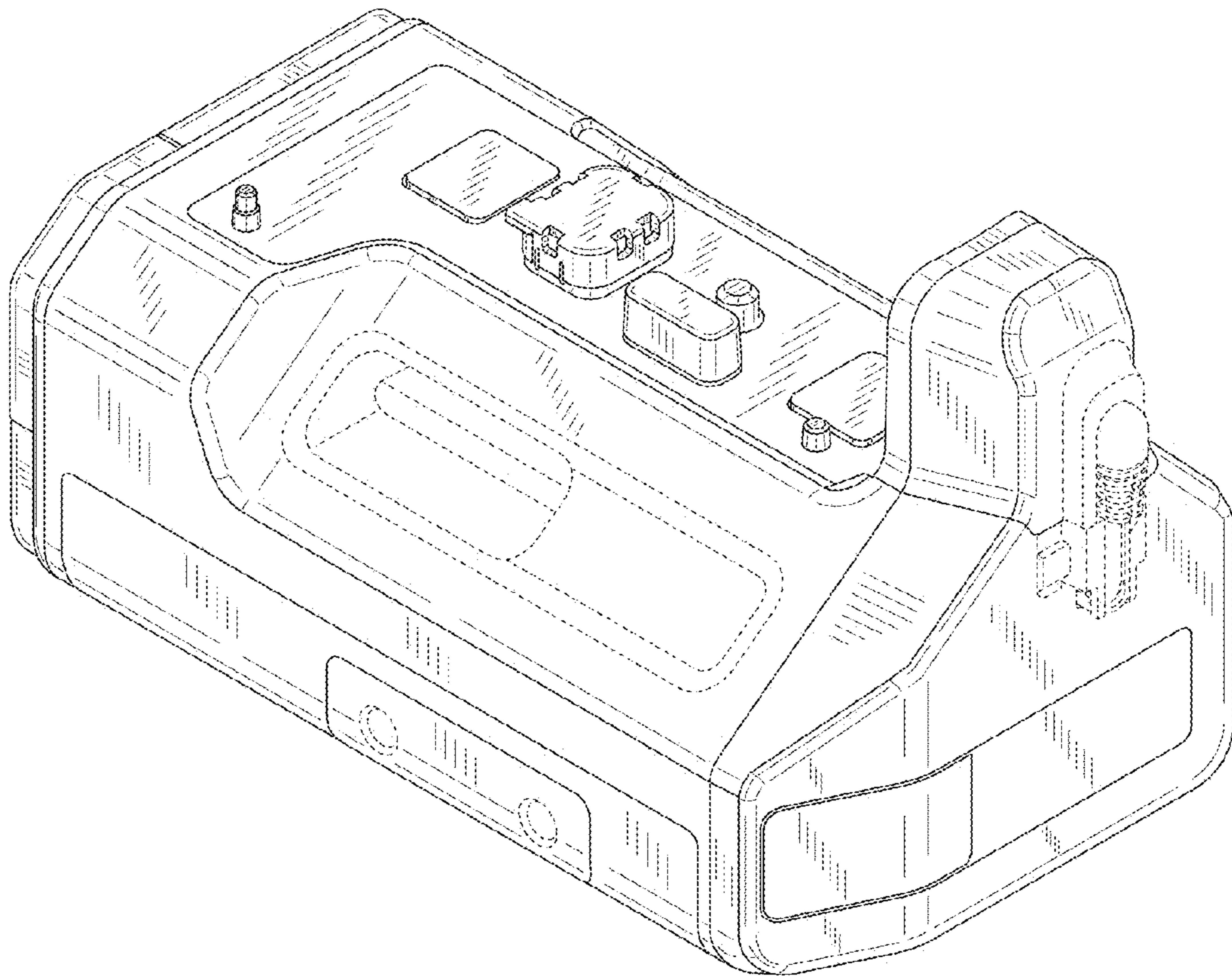


FIG. 2

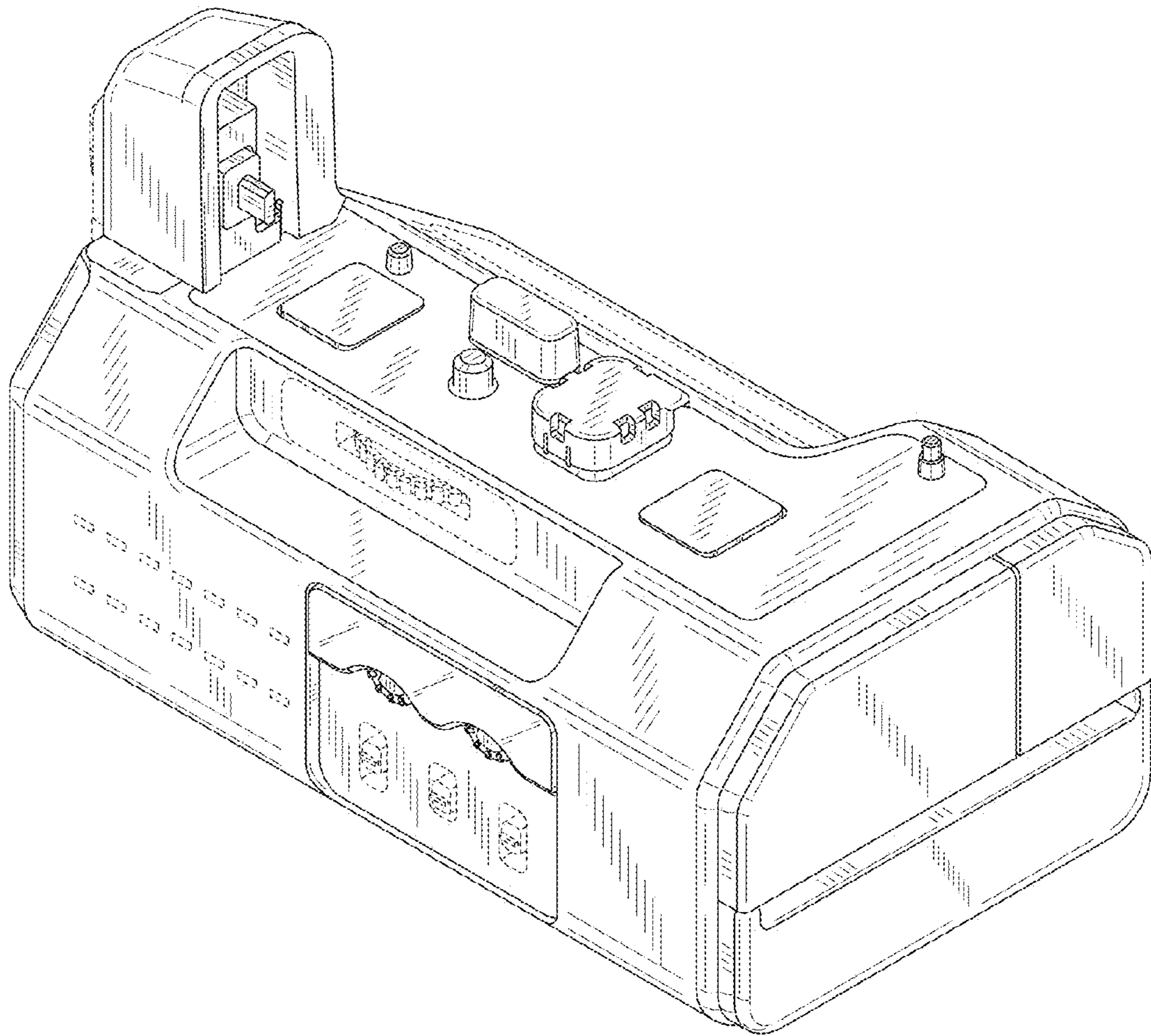


FIG. 3

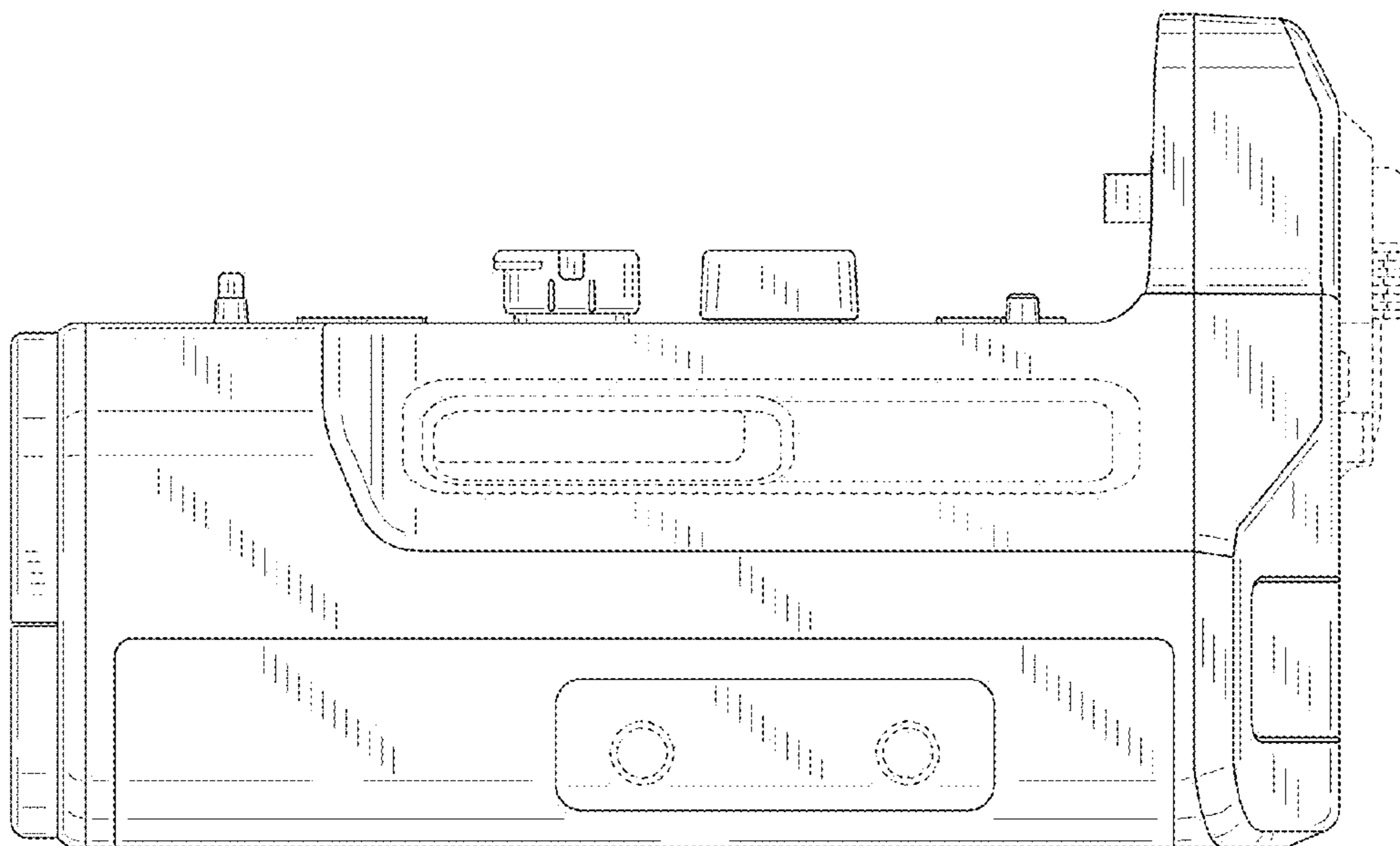


FIG. 4

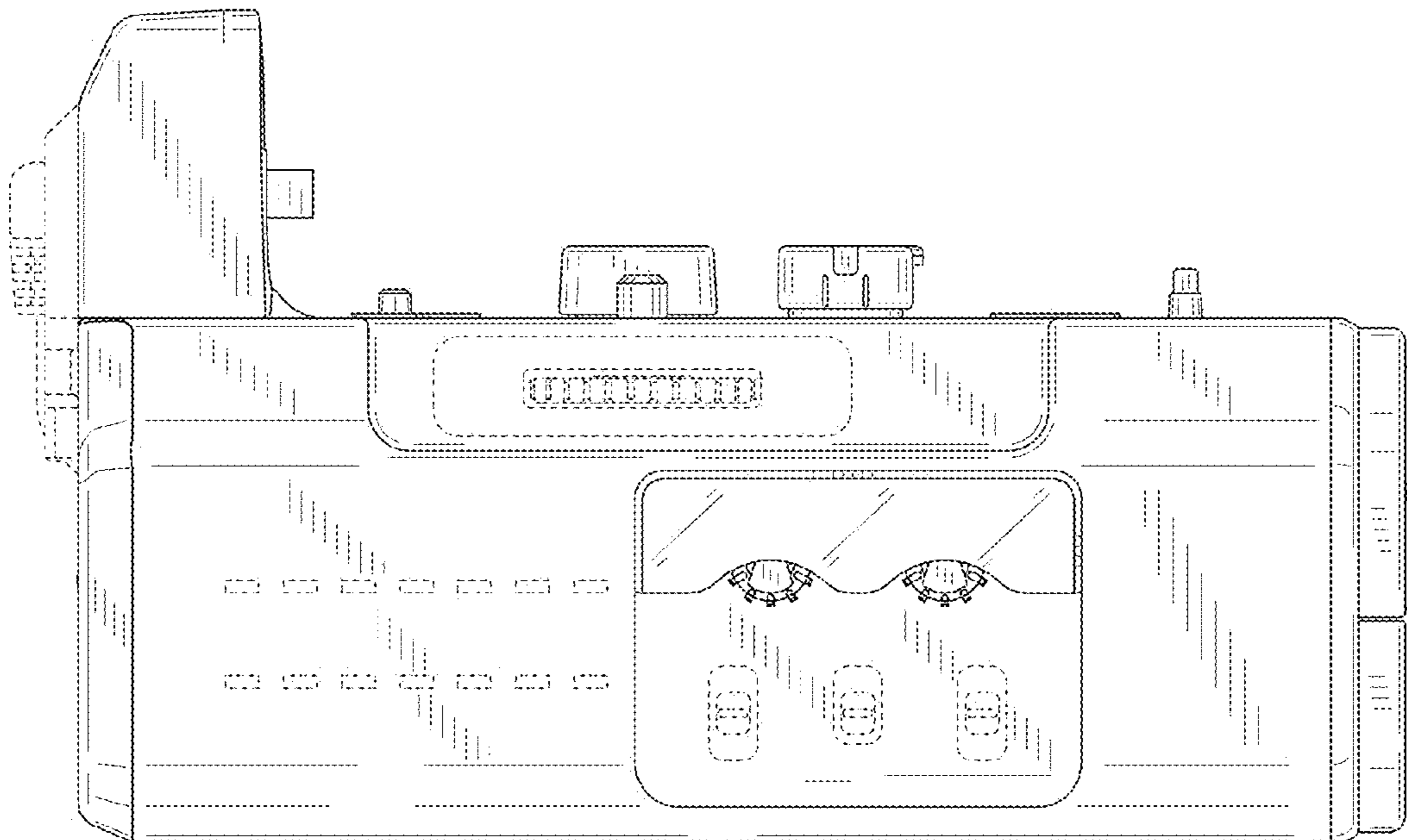


FIG. 5

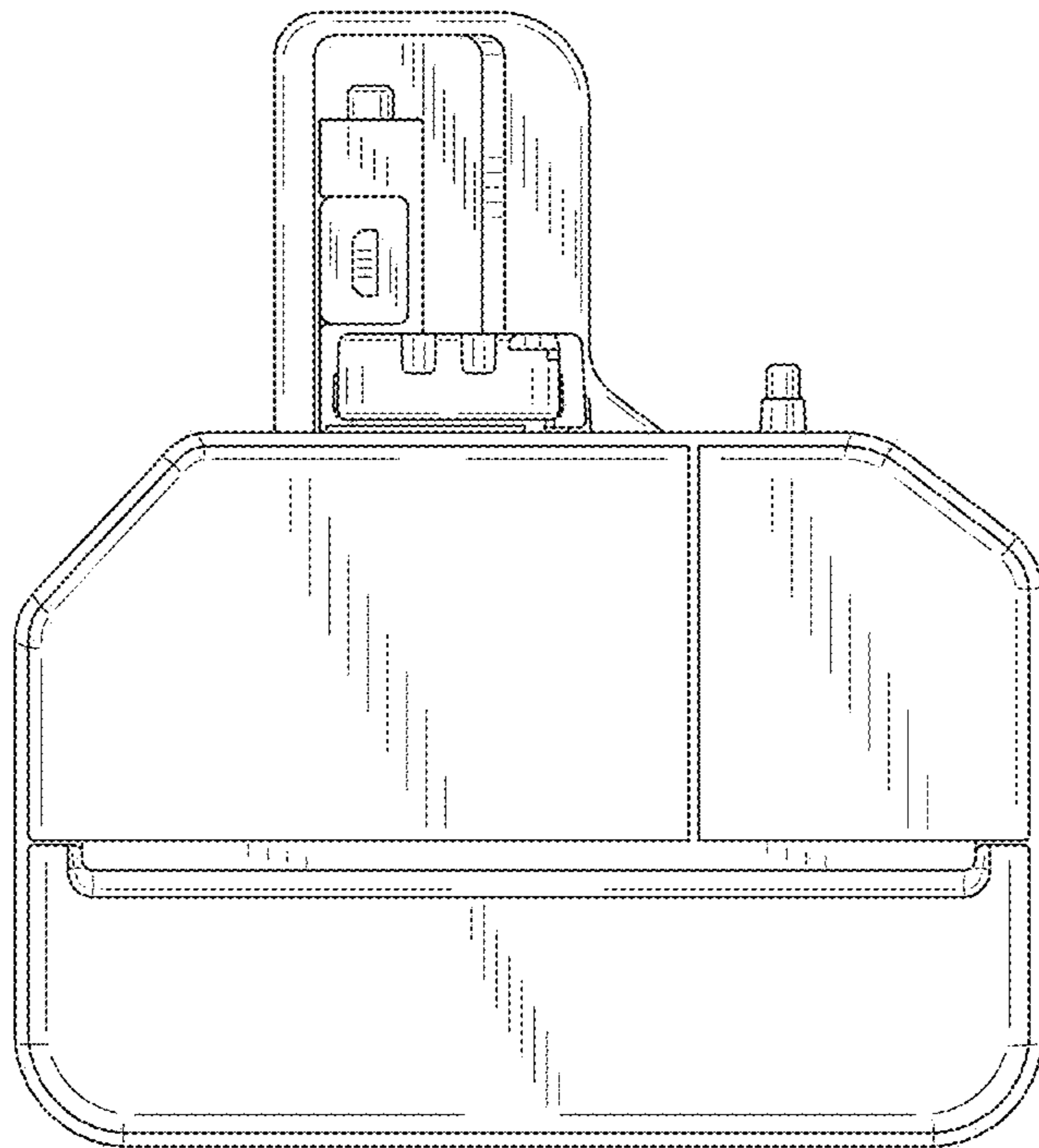


FIG. 6

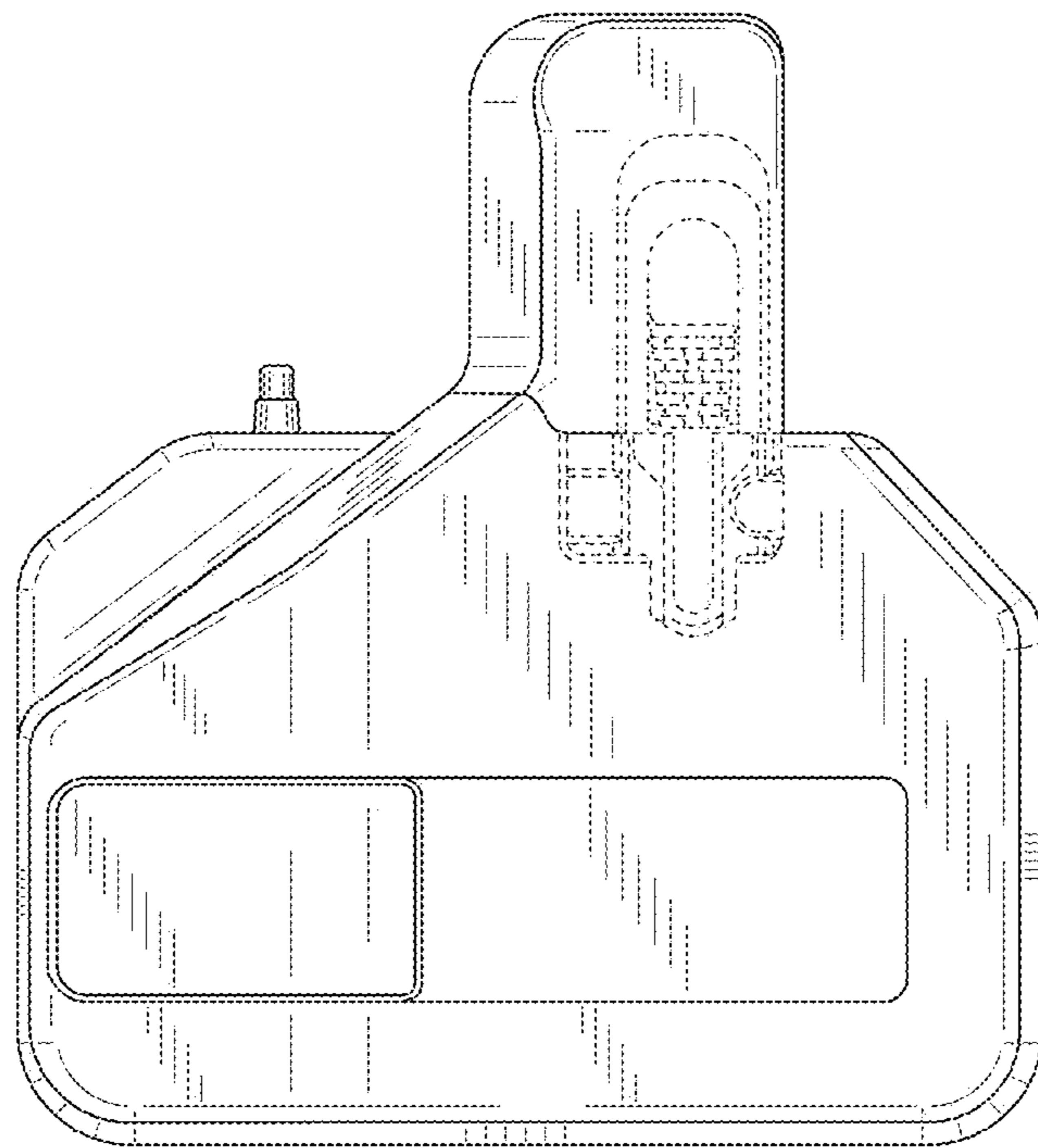


FIG. 7

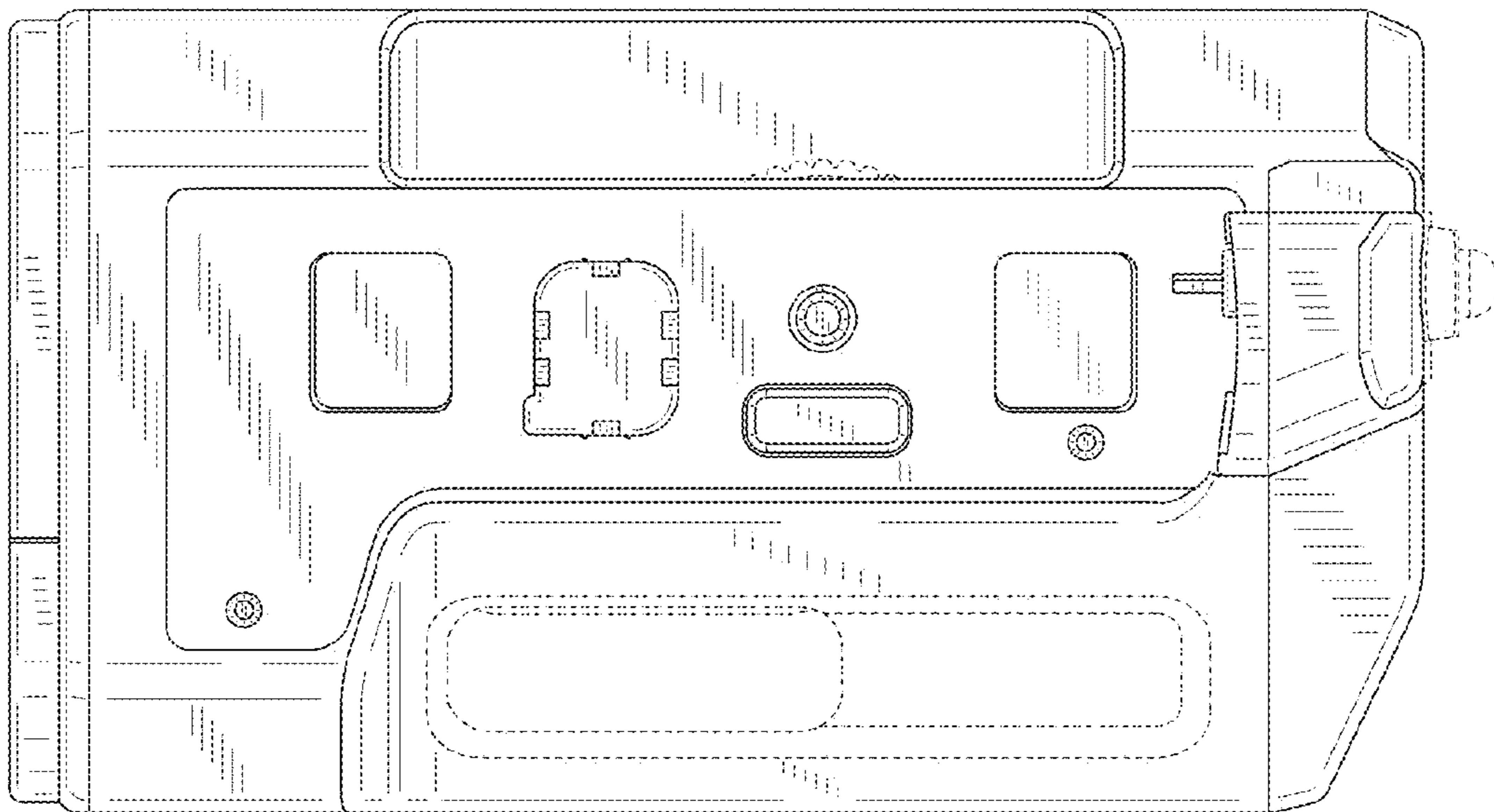


FIG. 8

