



US00D745079S

(12) **United States Design Patent**
Oh

(10) **Patent No.:** **US D745,079 S**

(45) **Date of Patent:** **** Dec. 8, 2015**

(54) **ADAPTER FOR CAMERA LENS**

(56) **References Cited**

(71) Applicant: **Samsung Electronics Co., Ltd.**,
Suwon-si (KR)

U.S. PATENT DOCUMENTS

(72) Inventor: **San-Hui Oh**, Seoul (KR)

4,740,058	A	*	4/1988	Hori et al.	359/827
D305,079	S	*	12/1989	Tsuji	D16/136
5,218,484	A	*	6/1993	Terai	359/827
D481,988	S	*	11/2003	Wachendorf	D12/500
D496,379	S	*	9/2004	Do	D16/219
D505,437	S	*	5/2005	Do	D16/134
D510,945	S	*	10/2005	Do	D16/219
D530,525	S	*	10/2006	Greene, II	D6/309
D563,446	S	*	3/2008	Stephens et al.	D16/202
D580,466	S	*	11/2008	Pola	D16/135
7,853,137	B2	*	12/2010	Yang	396/531
D727,989	S	*	4/2015	Hasuda	D16/134

(73) Assignee: **SAMSUNG ELECTRONICS CO., LTD.** (KR)

(**) Term: **14 Years**

* cited by examiner

(21) Appl. No.: **29/501,974**

Primary Examiner — Adir Aronovich

(22) Filed: **Sep. 10, 2014**

(74) *Attorney, Agent, or Firm* — Cantor Colburn LLP

(30) **Foreign Application Priority Data**

Mar. 19, 2014 (KR) 30-2014-0013581

(57) **CLAIM**

The ornamental design for an adapter for camera lens, as shown and described.

(51) **LOC (10) Cl.** **16-05**

DESCRIPTION

(52) **U.S. Cl.**
USPC **D16/219**; D16/136

(58) **Field of Classification Search**
USPC D16/134, 136, 200, 202–205, 218, 219;
348/373–376; 359/826–828;
396/529–532, 535, 539–541
CPC G03B 17/02; G03B 19/04; G03B 17/56;
G03B 17/04; G03B 15/03; G03B 17/14;
H04N 5/2251; H04N 5/2252; H04N 5/2253;
H04N 5/2254

FIG. 1 is a front perspective view of an adapter for camera lens showing my new design;
FIG. 2 is front elevational view thereof;
FIG. 3 is rear elevational view thereof;
FIG. 4 is a left side elevational view thereof;
FIG. 5 is a right side elevational view thereof;
FIG. 6 is a top plan view thereof; and,
FIG. 7 is a bottom plan view thereof.
The broken lines depict the portions of an adapter for camera lens in which the design is embodied and form no part of the claimed design.

See application file for complete search history.

1 Claim, 4 Drawing Sheets

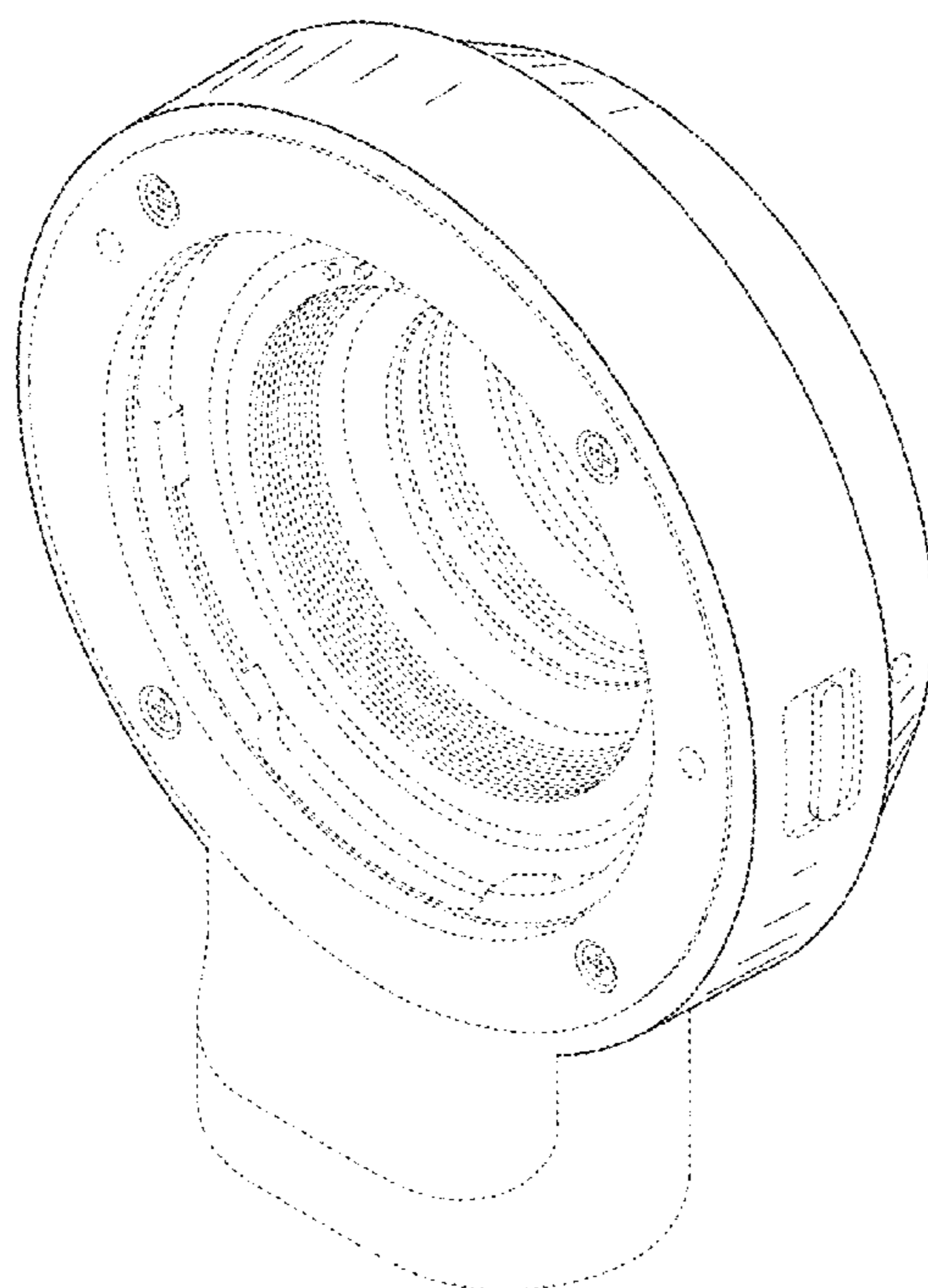


FIG. 1

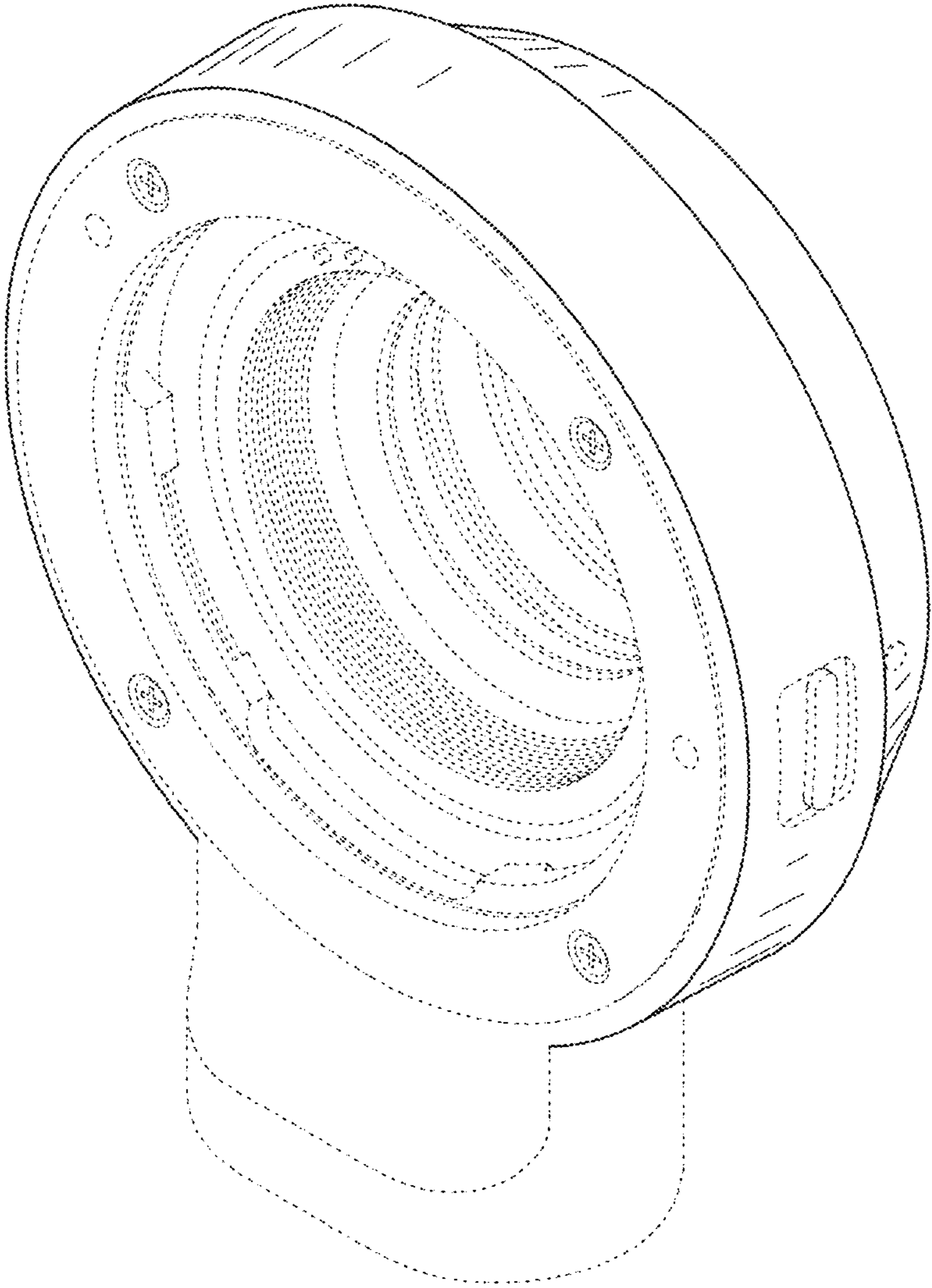


FIG. 2

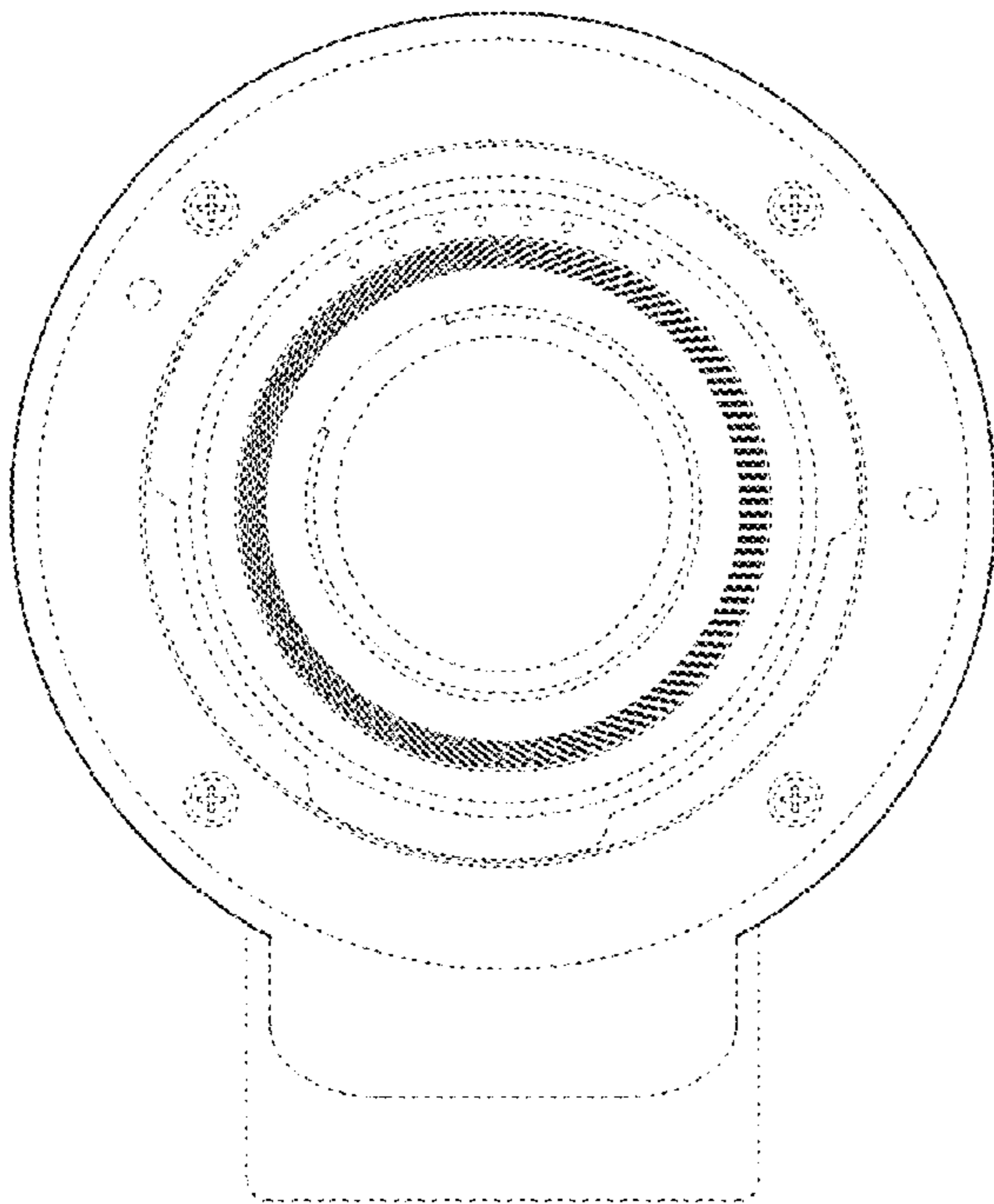


FIG. 3

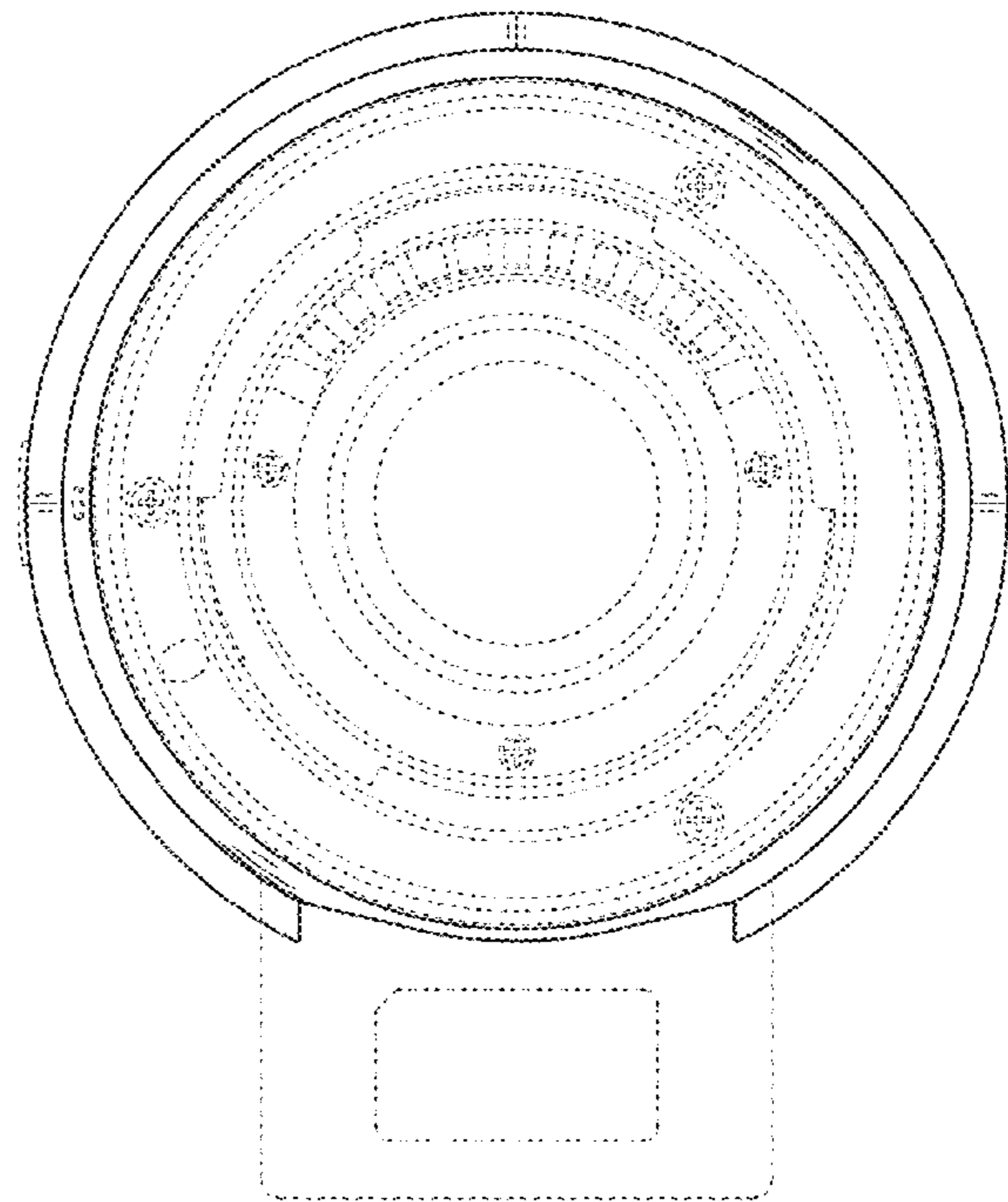


FIG. 4

FIG. 5

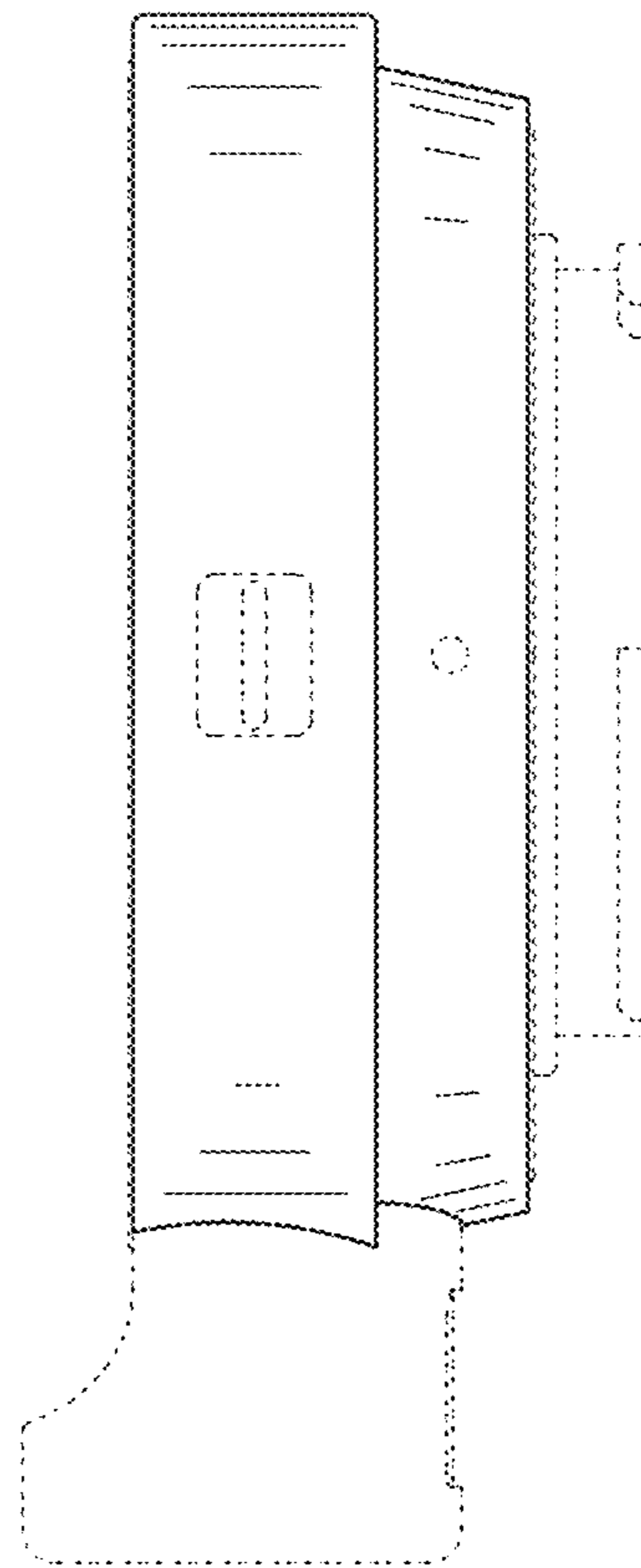
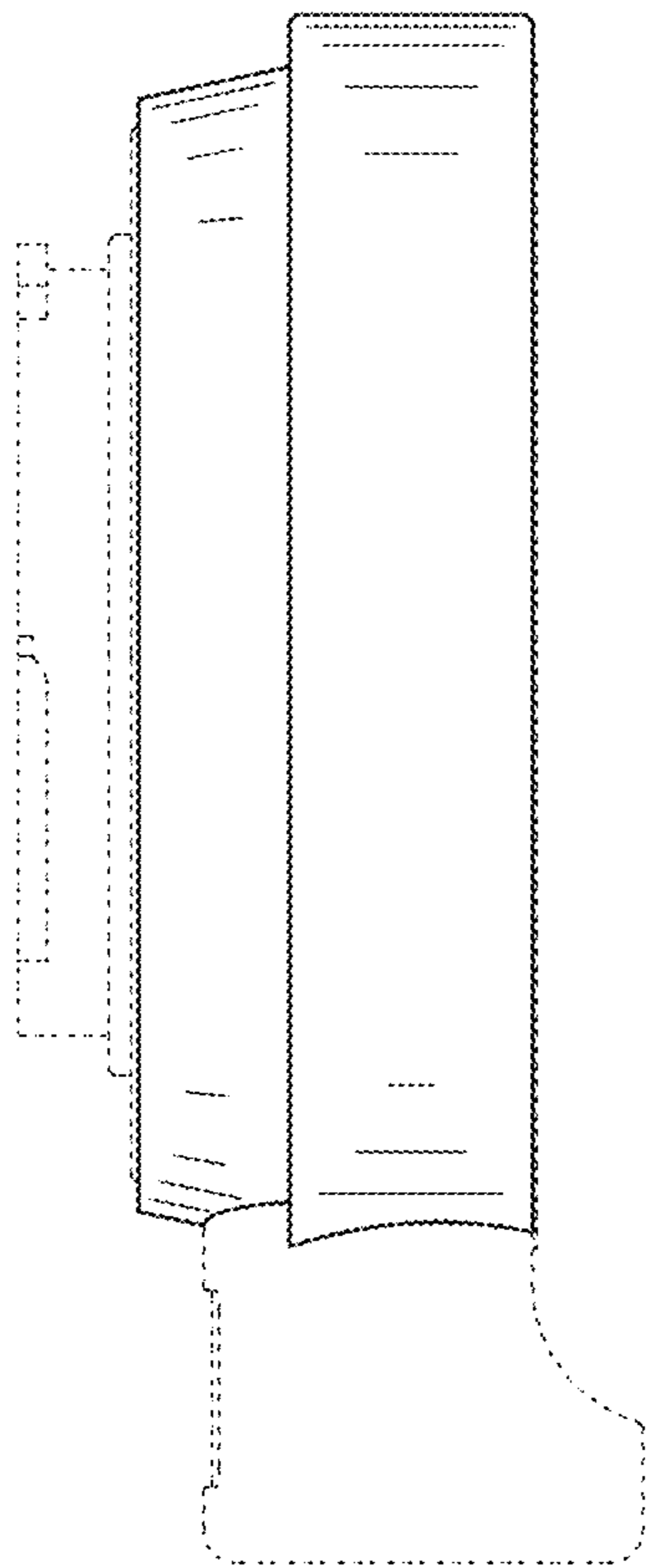


FIG. 6

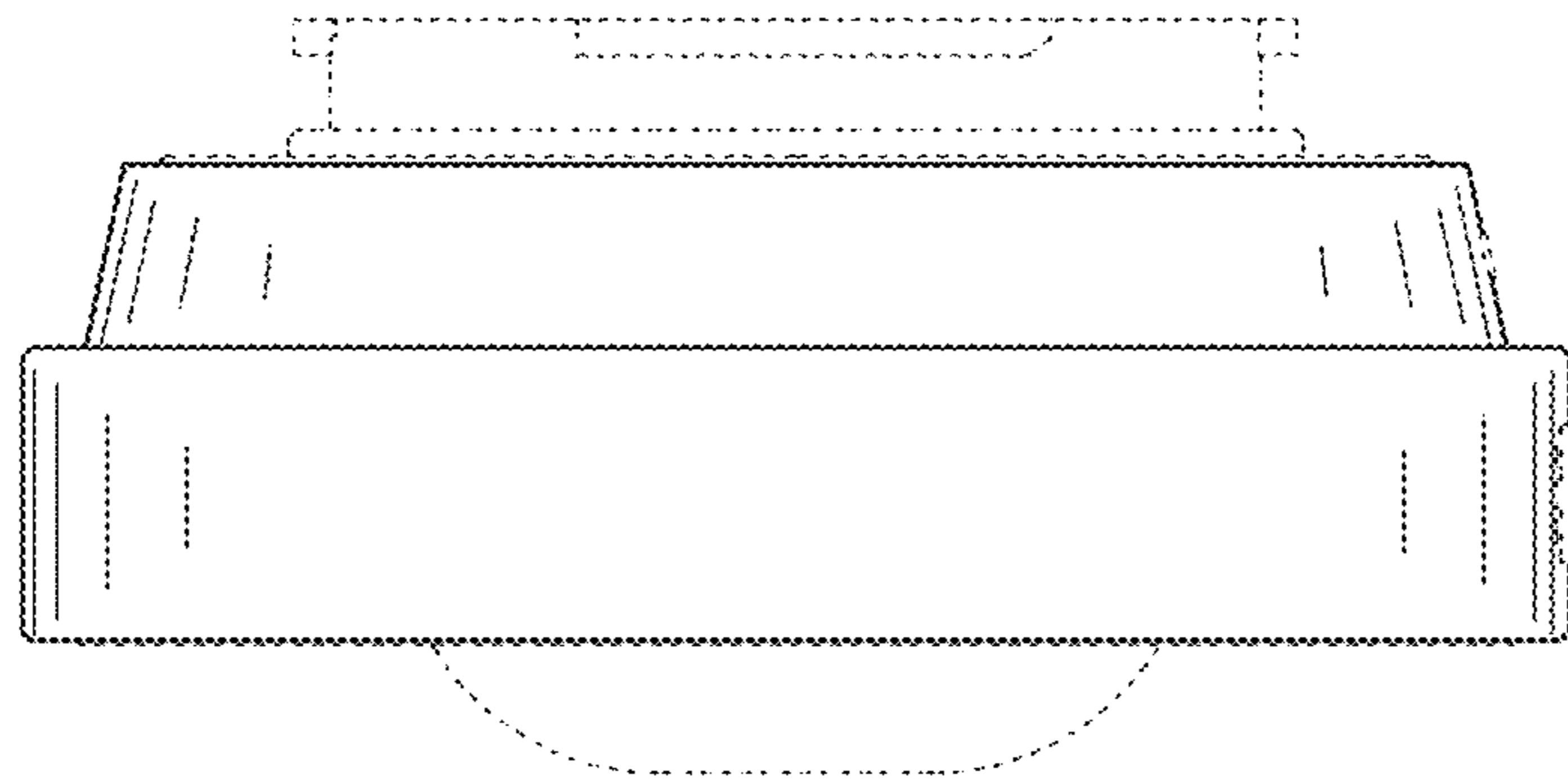


FIG. 7

