



US00D745078S

(12) **United States Design Patent**  
**Kim et al.**

(10) **Patent No.:** **US D745,078 S**  
(45) **Date of Patent:** **\*\* Dec. 8, 2015**

(54) **CAMERA**

(71) Applicant: **Samsung Electronics Co., Ltd.**,  
Suwon-si, Gyeonggi-do (KR)

(72) Inventors: **Joo-Hyung Kim**, Busan (KR);  
**Yeon-Hwa Lee**, Seoul (KR);  
**Byung-Wook Chin**, Seoul (KR)

(73) Assignee: **Samsung Electronics Co., Ltd.**,  
Suwon-Si (KR)

(\*\*) Term: **14 Years**

(21) Appl. No.: **29/498,725**

(22) Filed: **Aug. 7, 2014**

(30) **Foreign Application Priority Data**

Feb. 7, 2014 (KR) ..... 30-2014-0006250

(51) **LOC (10) Cl.** ..... **16-05**

(52) **U.S. Cl.**  
USPC ..... **D16/219**

(58) **Field of Classification Search**  
USPC ..... D16/200, 202-206, 208-209, 218, 219;  
348/373-376; 396/535, 539-541  
CPC ..... G03B 15/03; G03B 17/02; G03B 17/04;  
G03B 17/56; G03B 19/04; H04N 5/2251;  
H04N 5/2252; H04N 5/2253; H04N 5/2254;  
H04N 2101/00

See application file for complete search history.

(56) **References Cited**

U.S. PATENT DOCUMENTS

D538,324 S *	3/2007	Masamitsu et al. ....	D16/219
D540,364 S *	4/2007	Ishii .....	D16/219
D587,737 S *	3/2009	Chan .....	D16/219
D646,314 S *	10/2011	Nohara .....	D16/202
D650,409 S *	12/2011	Lee .....	D16/202
D653,275 S *	1/2012	Sakai .....	D16/202
D669,110 S *	10/2012	Noh .....	D16/202
D706,851 S *	6/2014	Sakai .....	D16/202

\* cited by examiner

*Primary Examiner* — Adir Aronovich

*Assistant Examiner* — Ramzi Almatrahi

(74) *Attorney, Agent, or Firm* — Ladas & Parry LLP

(57) **CLAIM**

The ornamental design for a camera, as shown and described.

**DESCRIPTION**

FIG. 1 is a perspective view showing a camera of our new design;

FIG. 2 is a front view thereof;

FIG. 3 is a rear view thereof;

FIG. 4 is a left side view thereof;

FIG. 5 is a right side view thereof;

FIG. 6 is a top view thereof; and,

FIG. 7 is a bottom view thereof.

The broken lines are for environmental purposes only and form no part of the claimed design.

**1 Claim, 4 Drawing Sheets**

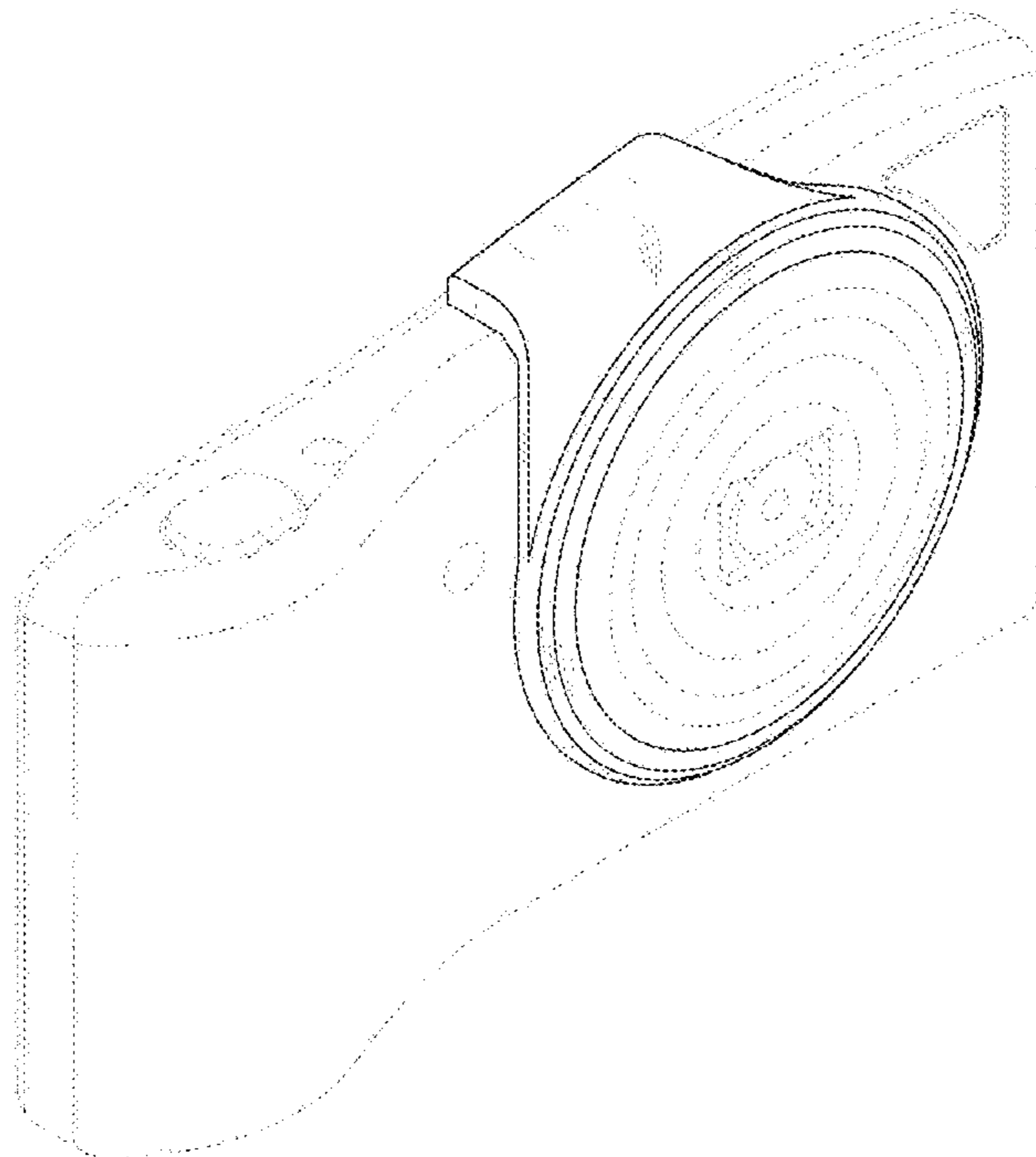


FIG. 1

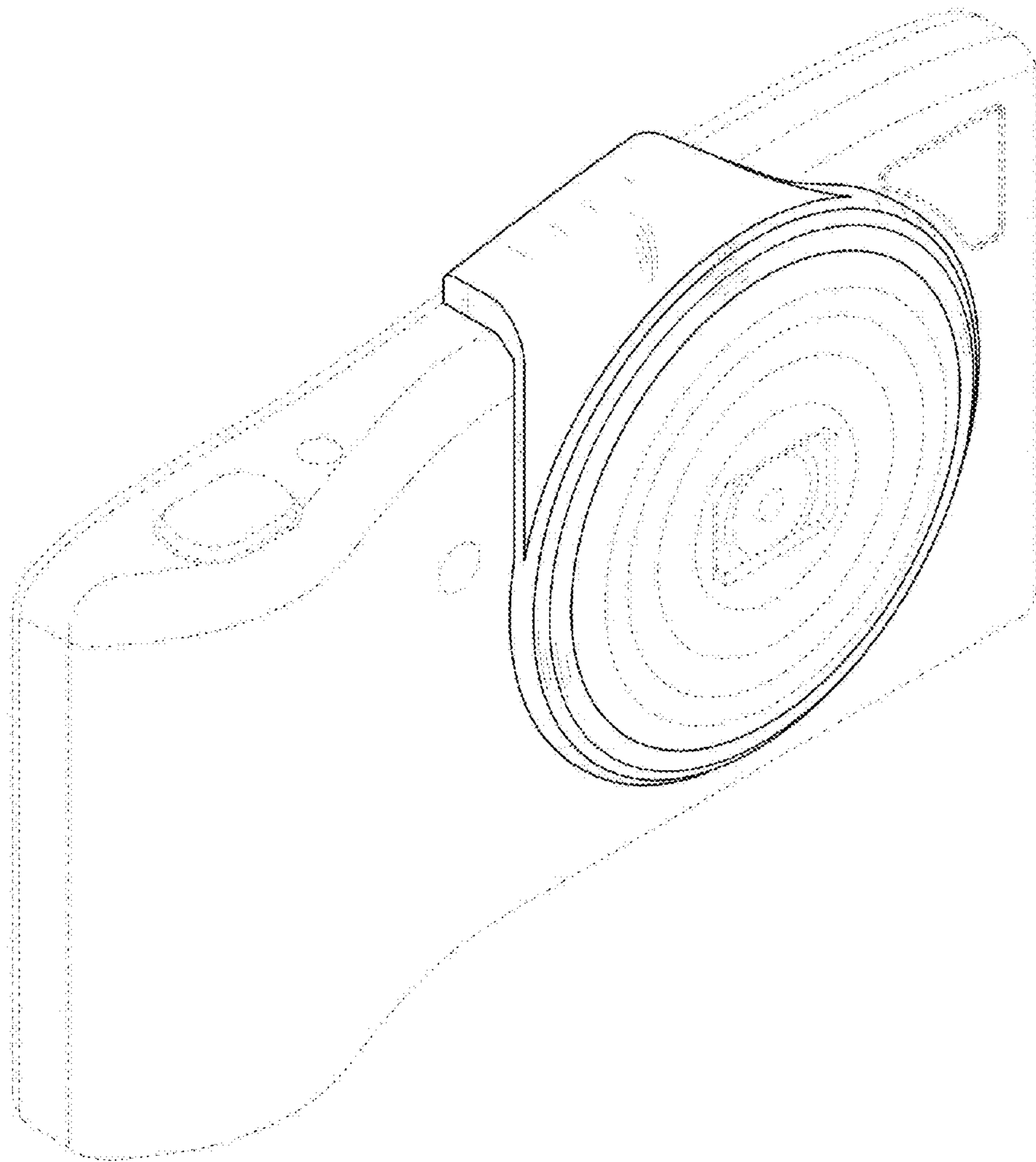


FIG. 2

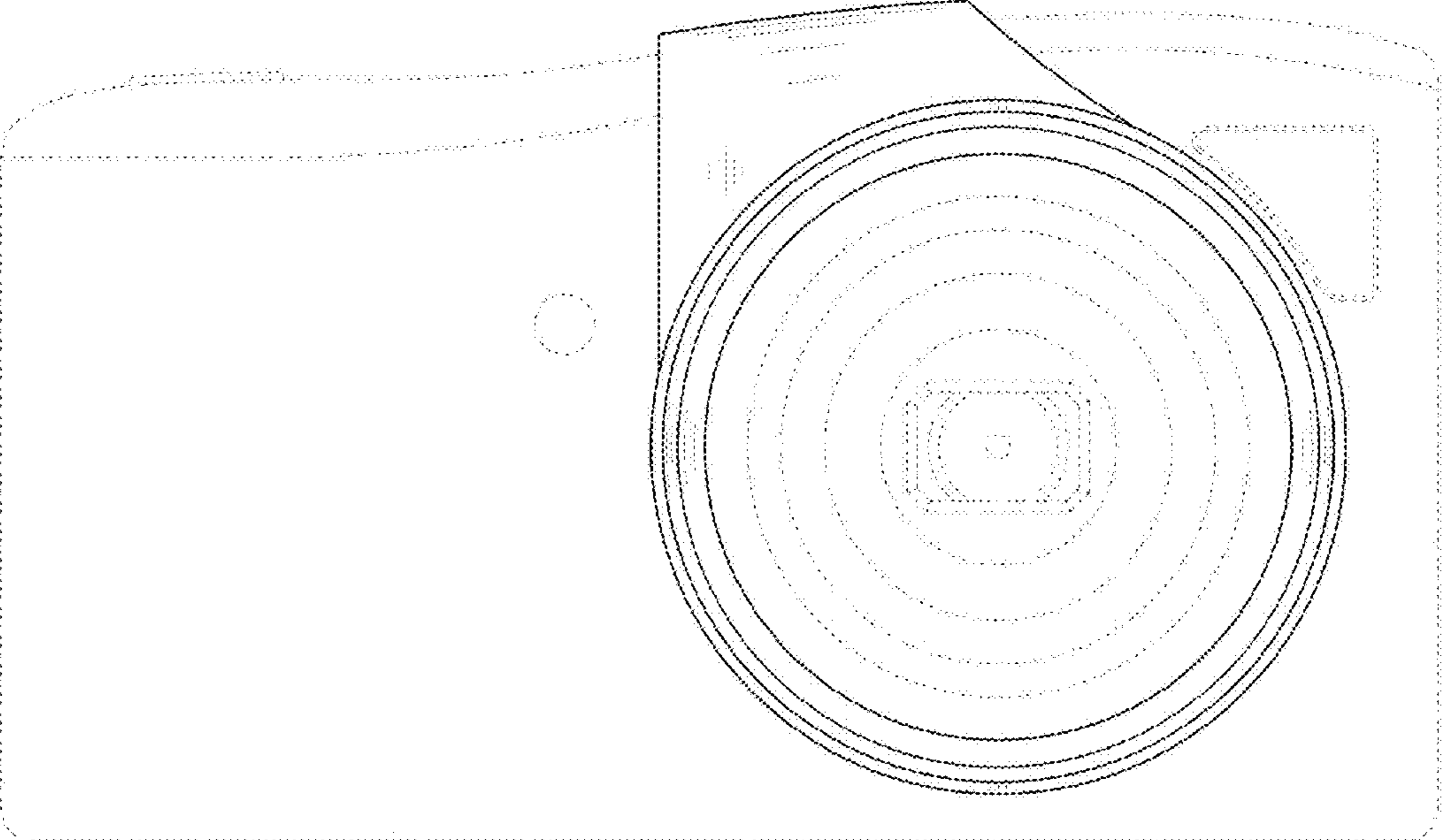


FIG. 3

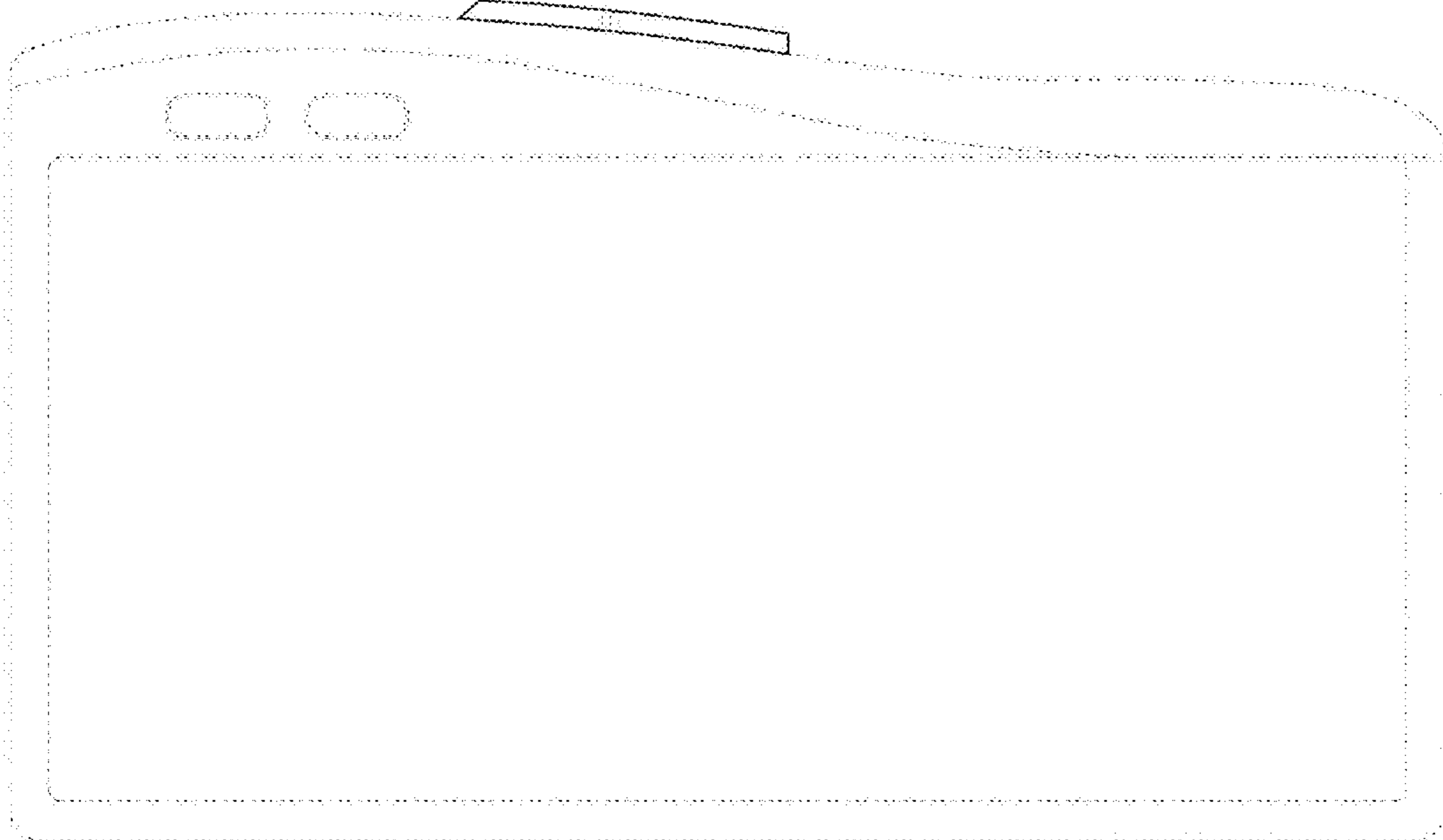


FIG. 4

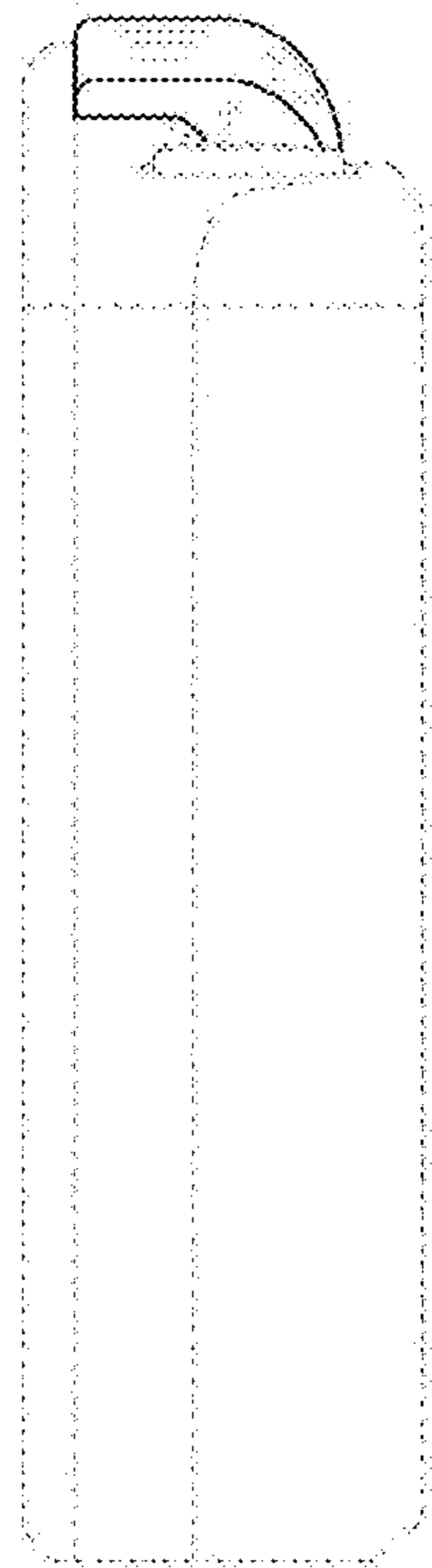


FIG. 5

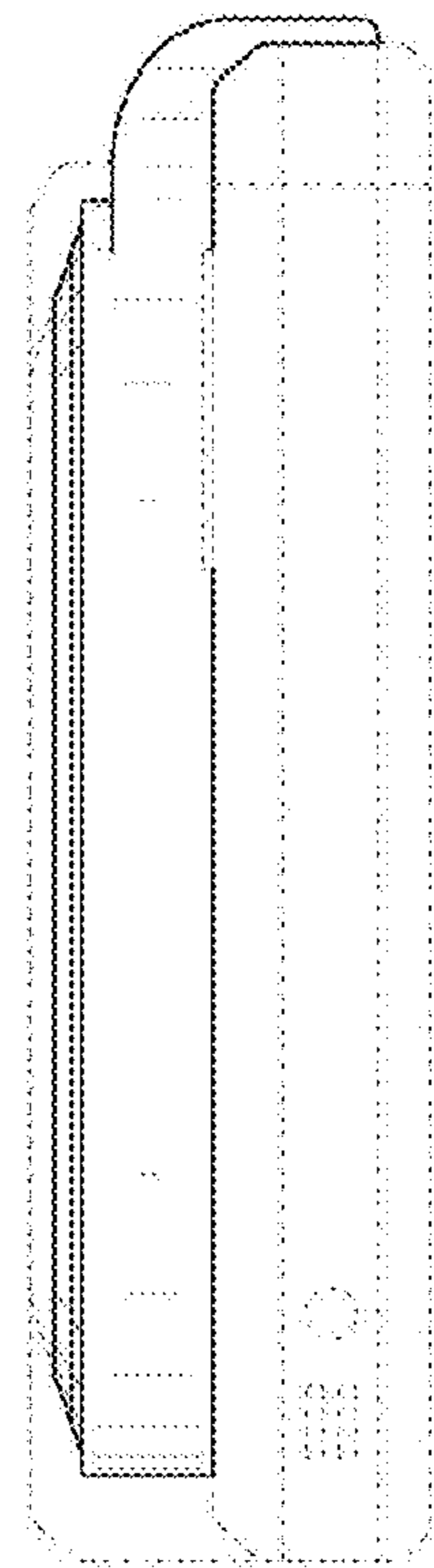


FIG. 6

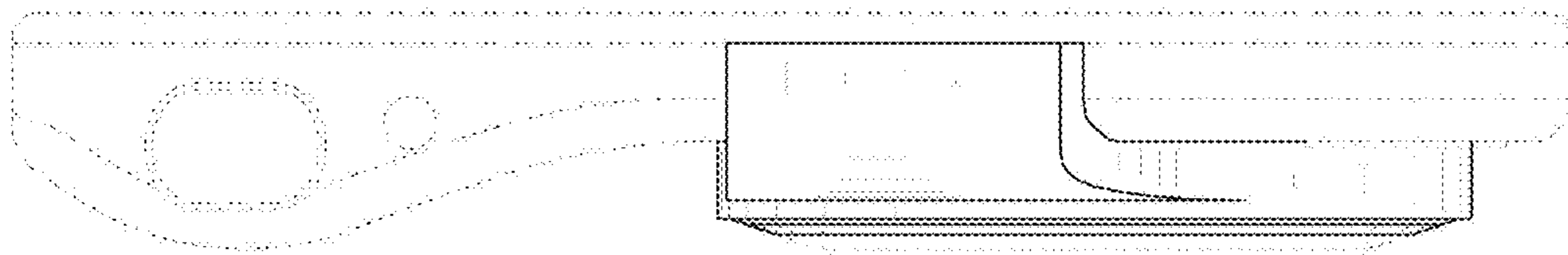


FIG. 7

