



US00D745077S

(12) **United States Design Patent**
Watanabe

(10) **Patent No.:** **US D745,077 S**
(45) **Date of Patent:** **** Dec. 8, 2015**

(54) **DIGITAL CAMERA**

(71) Applicant: **Nikon Corporation**, Tokyo (JP)

(72) Inventor: **Sumito Watanabe**, Yokohama (JP)

(73) Assignee: **Nikon Corporation**, Tokyo (JP)

(**) Term: **14 Years**

(21) Appl. No.: **29/487,416**

(22) Filed: **Apr. 8, 2014**

(30) **Foreign Application Priority Data**

Oct. 9, 2013 (JP) 2013-023653
Oct. 9, 2013 (JP) 2013-023654

(51) **LOC (10) Cl.** **16-05**

(52) **U.S. Cl.**
USPC **D16/219**

(58) **Field of Classification Search**
USPC D16/200, 202, 206, 216–219;
348/373–376; 396/176, 177, 354–358,
396/535, 538, 540
CPC G03B 15/03; G03B 17/02; G03B 17/56;
G03B 19/04; H04N 5/2251; H04N 5/2254;
H04N 2101/00
See application file for complete search history.

(56) **References Cited**

U.S. PATENT DOCUMENTS

D542,321 S * 5/2007 Takahashi D16/217
D561,806 S * 2/2008 Funakoshi et al. D16/217
D564,561 S * 3/2008 Takahashi D16/217
7,475,266 B2 * 1/2009 Ogawa 348/231.99
D609,730 S * 2/2010 Nakamura D16/202

D669,520 S * 10/2012 Asano et al. D16/219
8,348,526 B2 * 1/2013 Shintani 396/357
D690,755 S * 10/2013 Nikaido D16/202

* cited by examiner

Primary Examiner — Adir Aronovich

(74) *Attorney, Agent, or Firm* — Wolf, Greenfield & Sacks, P.C.

(57) **CLAIM**

The ornamental design for a digital camera, as shown and described.

DESCRIPTION

FIG. 1 is a front, top and right side perspective view of a first embodiment of a digital camera showing my new design; FIG. 2 is a front, top and left side perspective view thereof; FIG. 3 is a front elevational view thereof; FIG. 4 is a rear elevational view thereof; FIG. 5 is a top plan view thereof; FIG. 6 is a bottom plan view thereof; FIG. 7 is a right side elevational view; FIG. 8 is a left side elevational view; FIG. 9 is a front, top and right side perspective view of a second embodiment of a digital camera showing my new design; FIG. 10 is a front, top and left side perspective view thereof; FIG. 11 is a front elevational view thereof; FIG. 12 is a rear elevational view thereof; FIG. 13 is a top plan view thereof; FIG. 14 is a bottom plan view thereof; FIG. 15 is a right side elevational view thereof; and, FIG. 16 is a left side elevational view thereof.

The broken lines depict the portions of a camera in which the design is embodied and form no part of the claimed design. The dash-dotted lines denote the boundary of the claim and form no part of the claimed design.

1 Claim, 16 Drawing Sheets

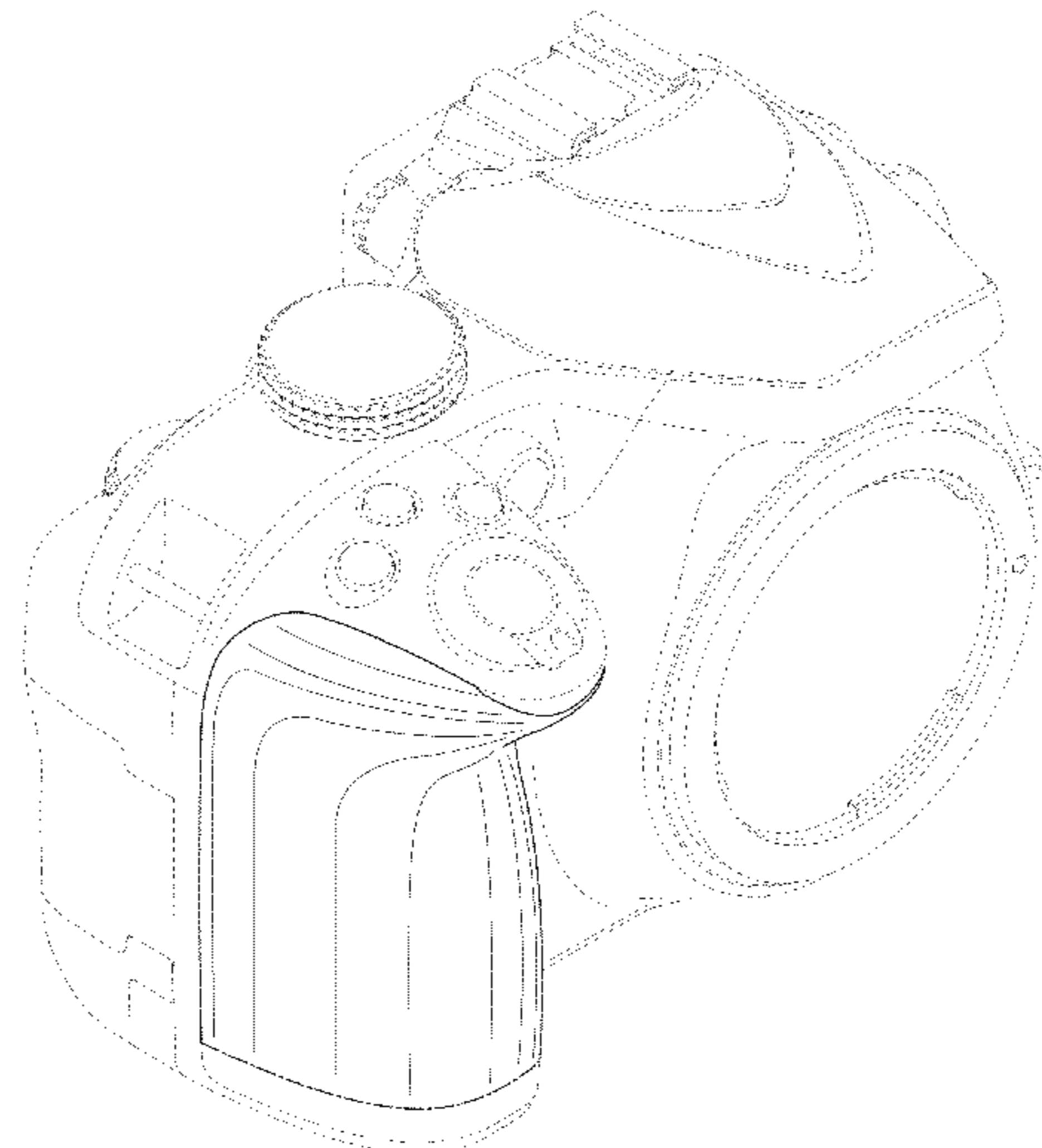
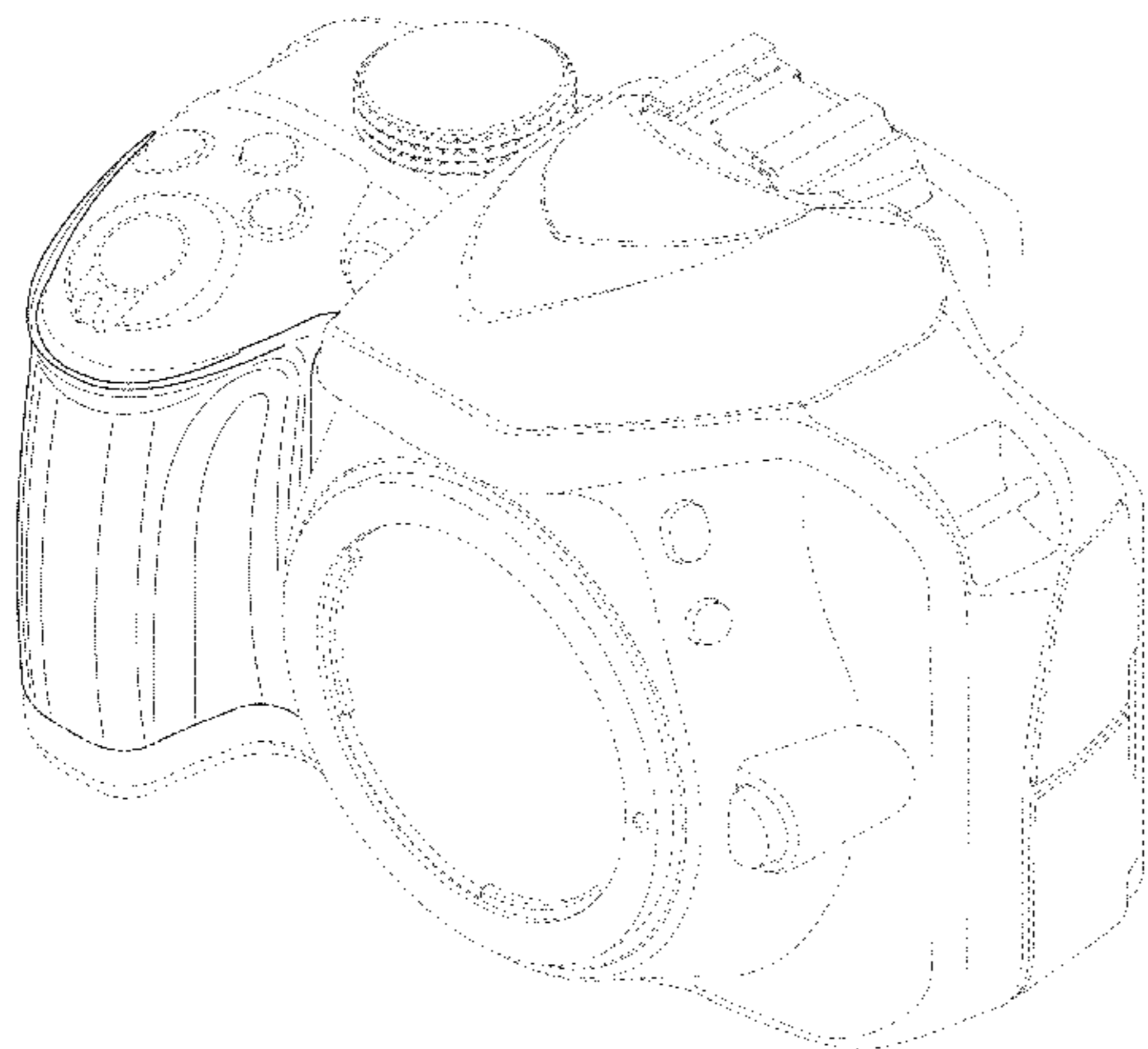


FIG. 1

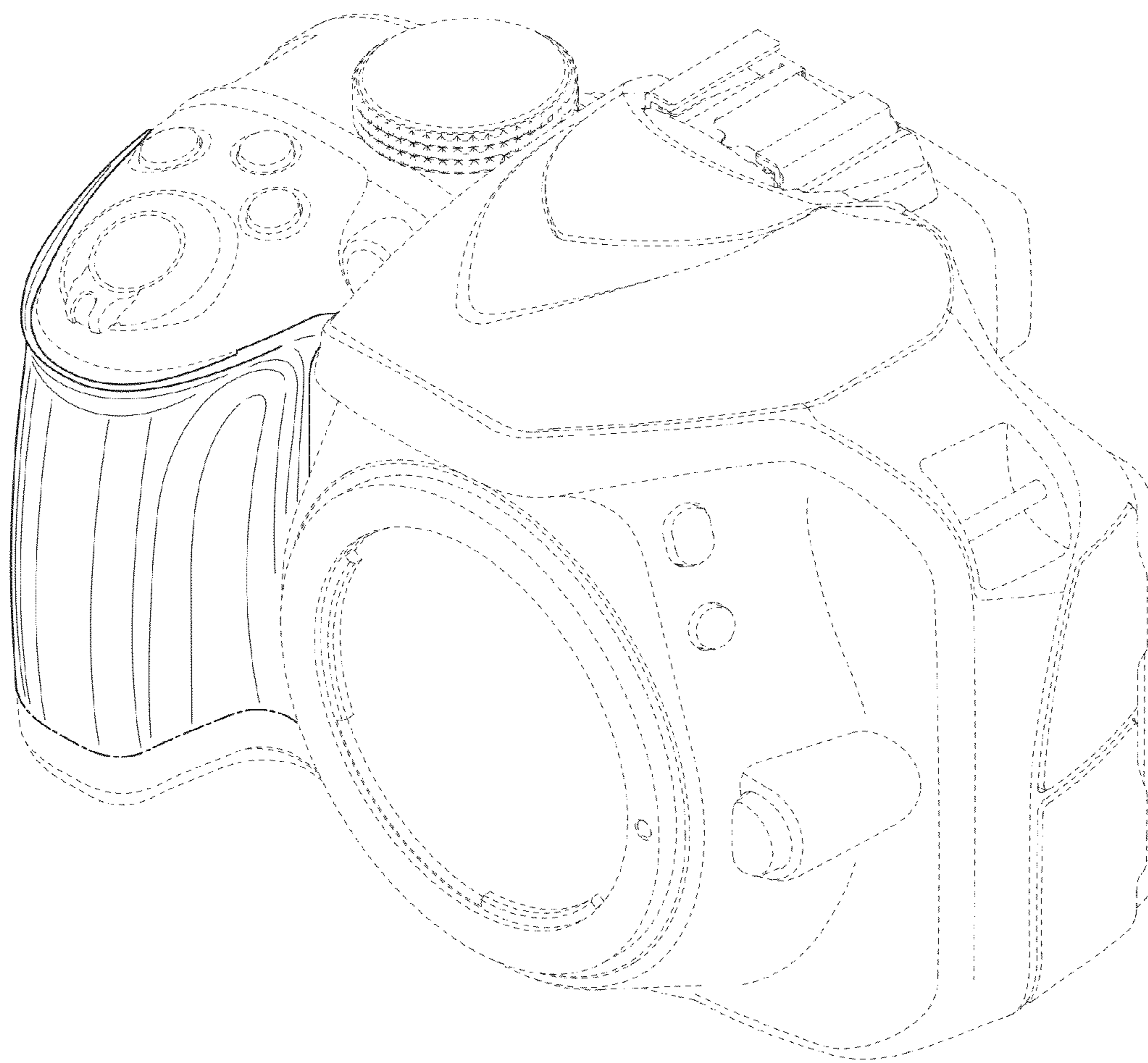


FIG. 2

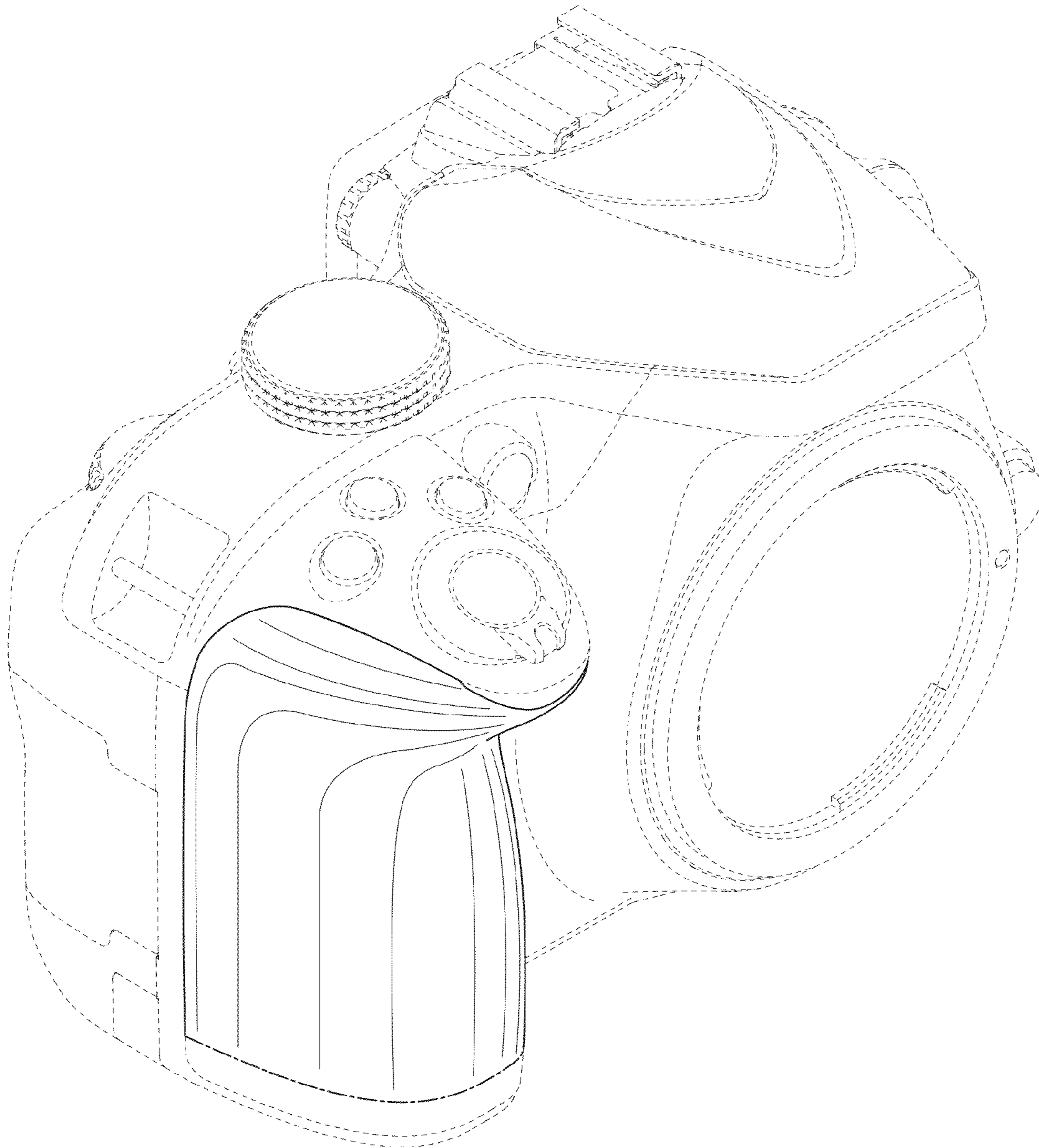


FIG. 3

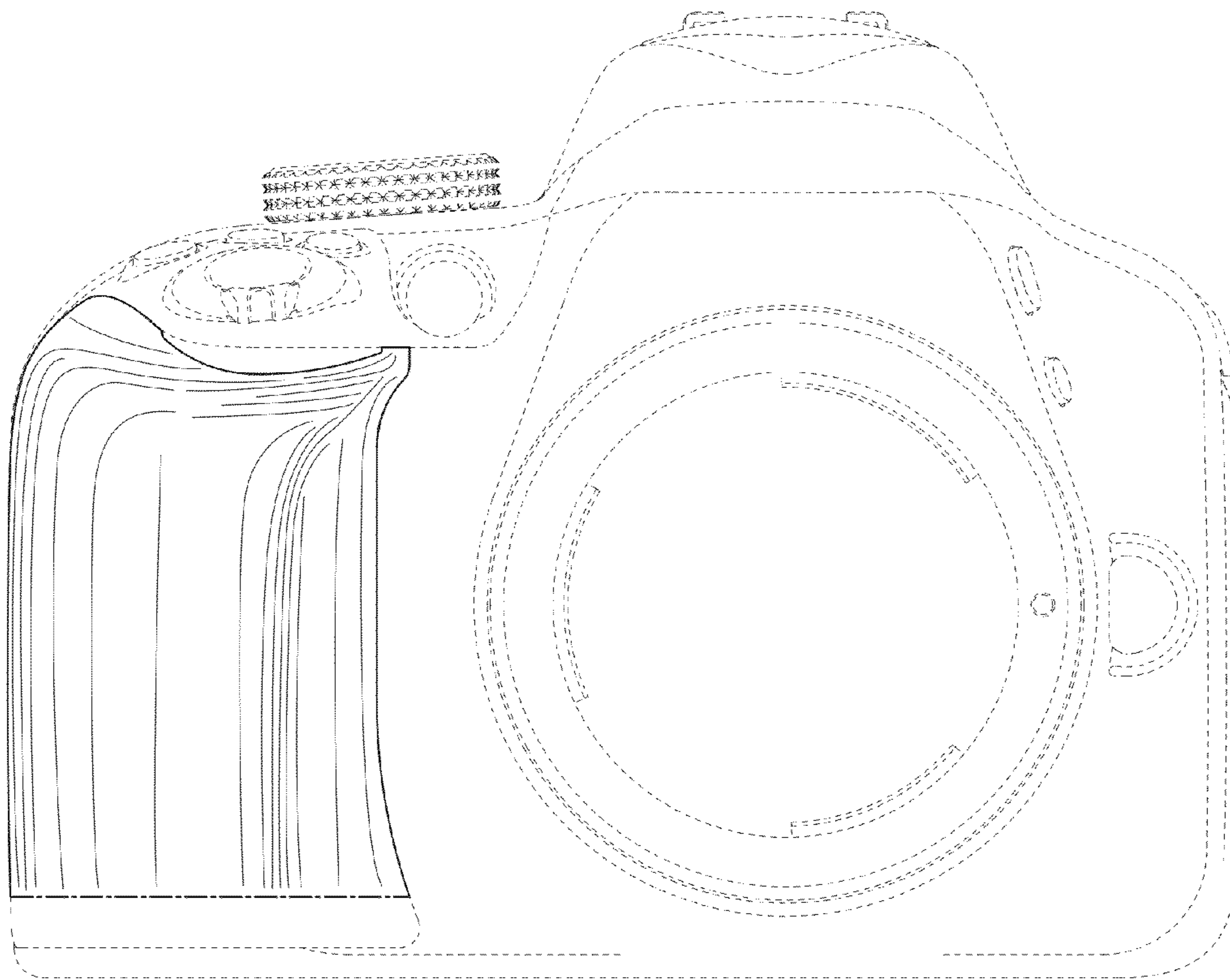


FIG. 4

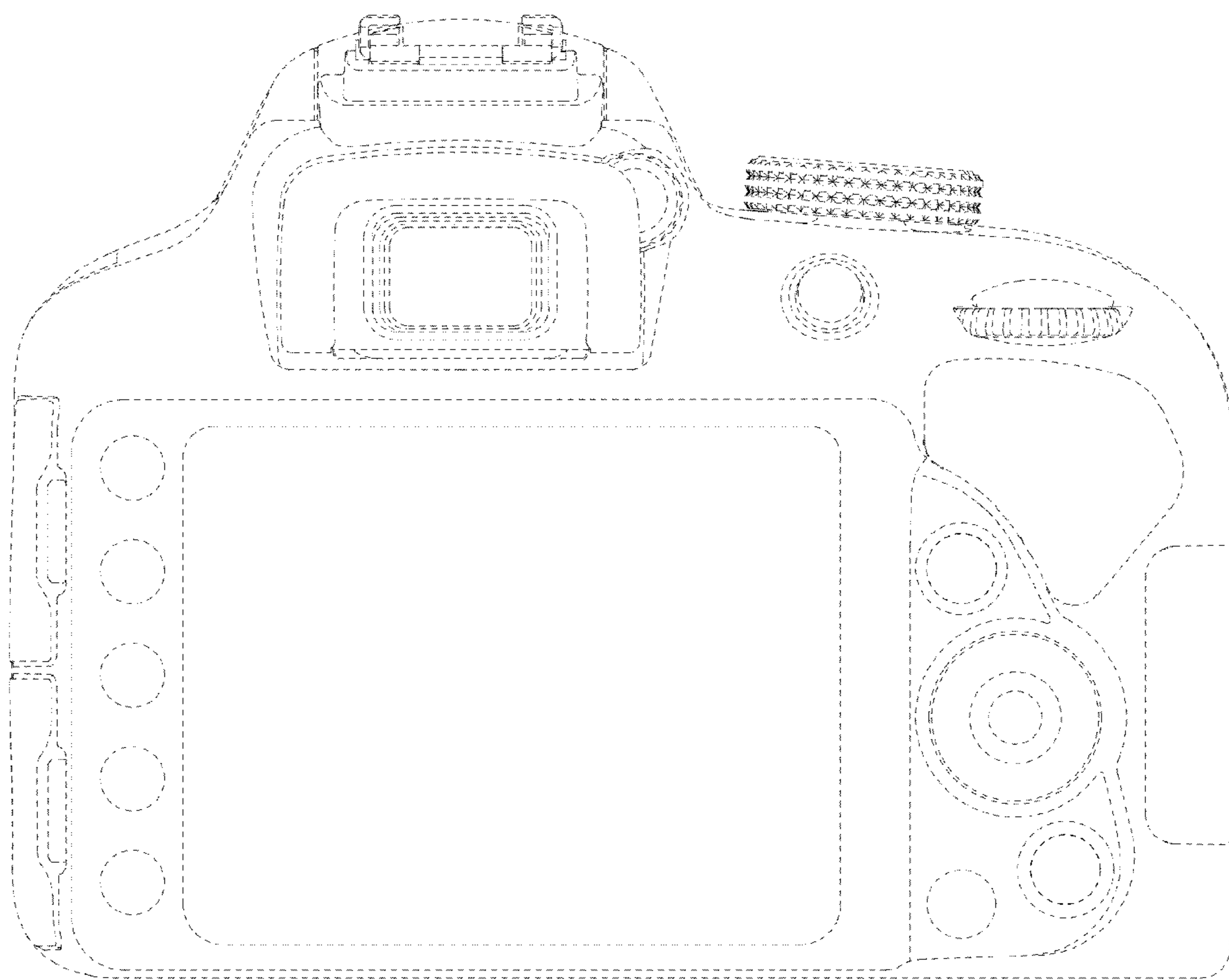


FIG. 5

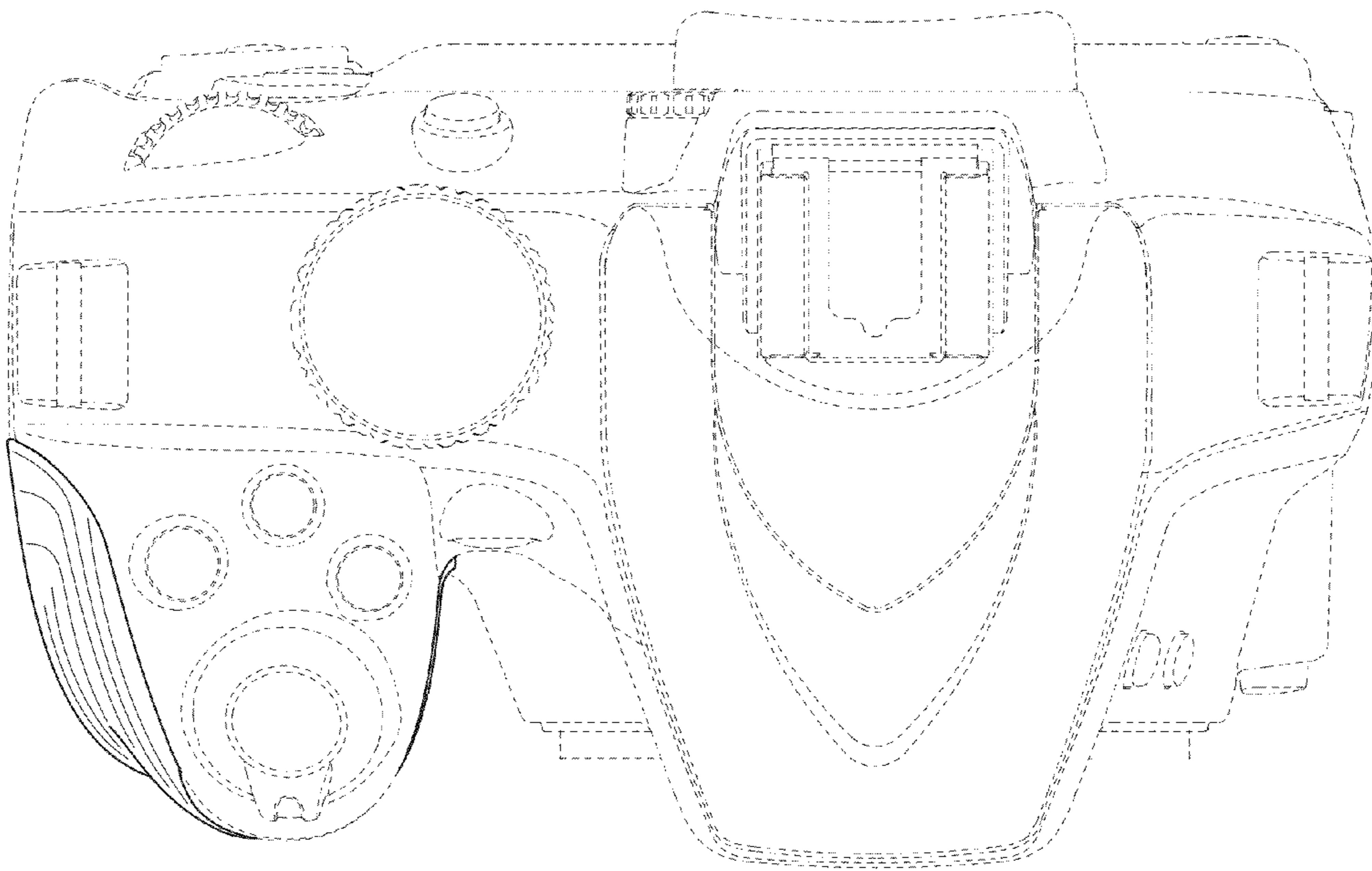


FIG. 6

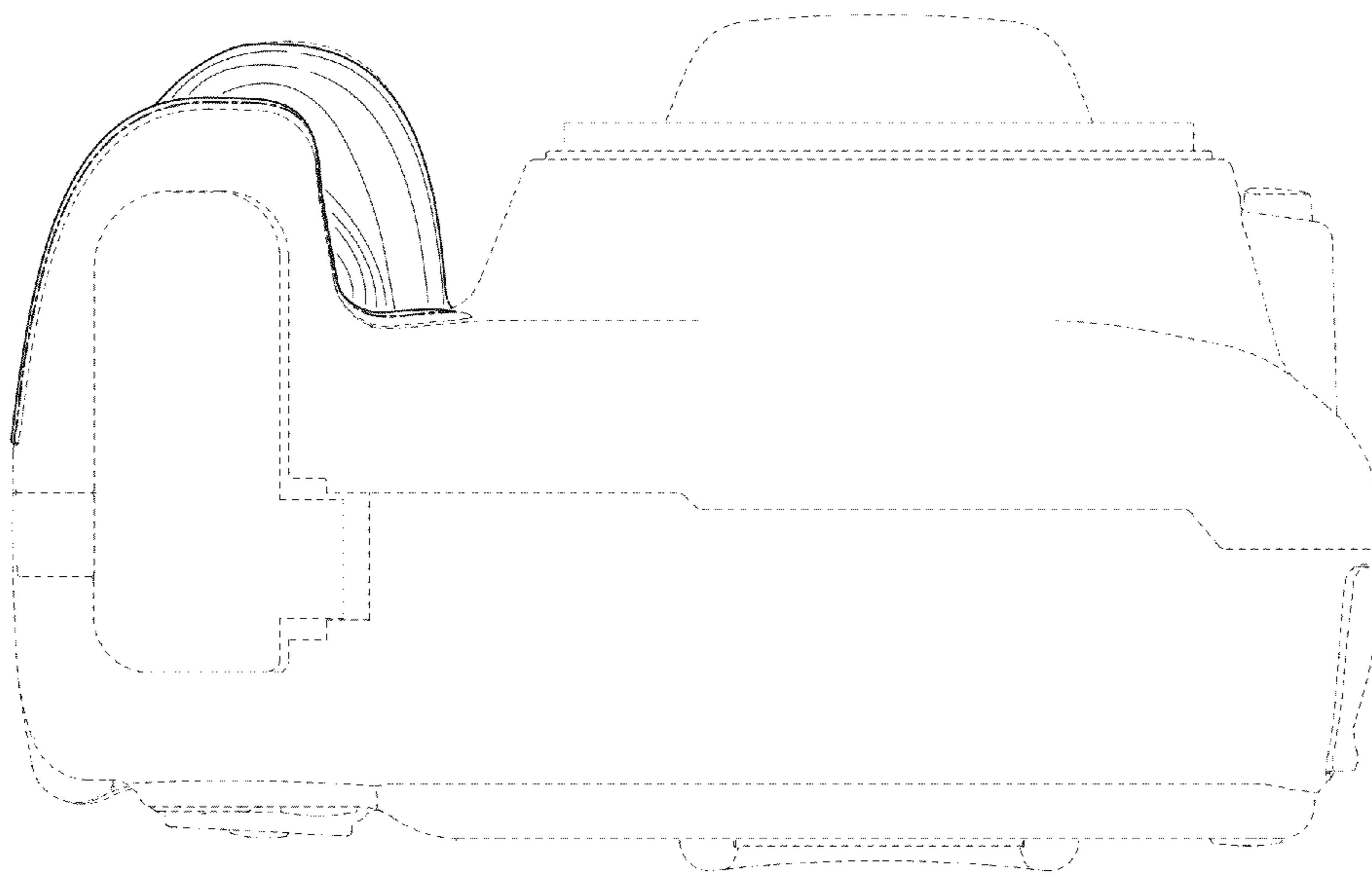


FIG. 7

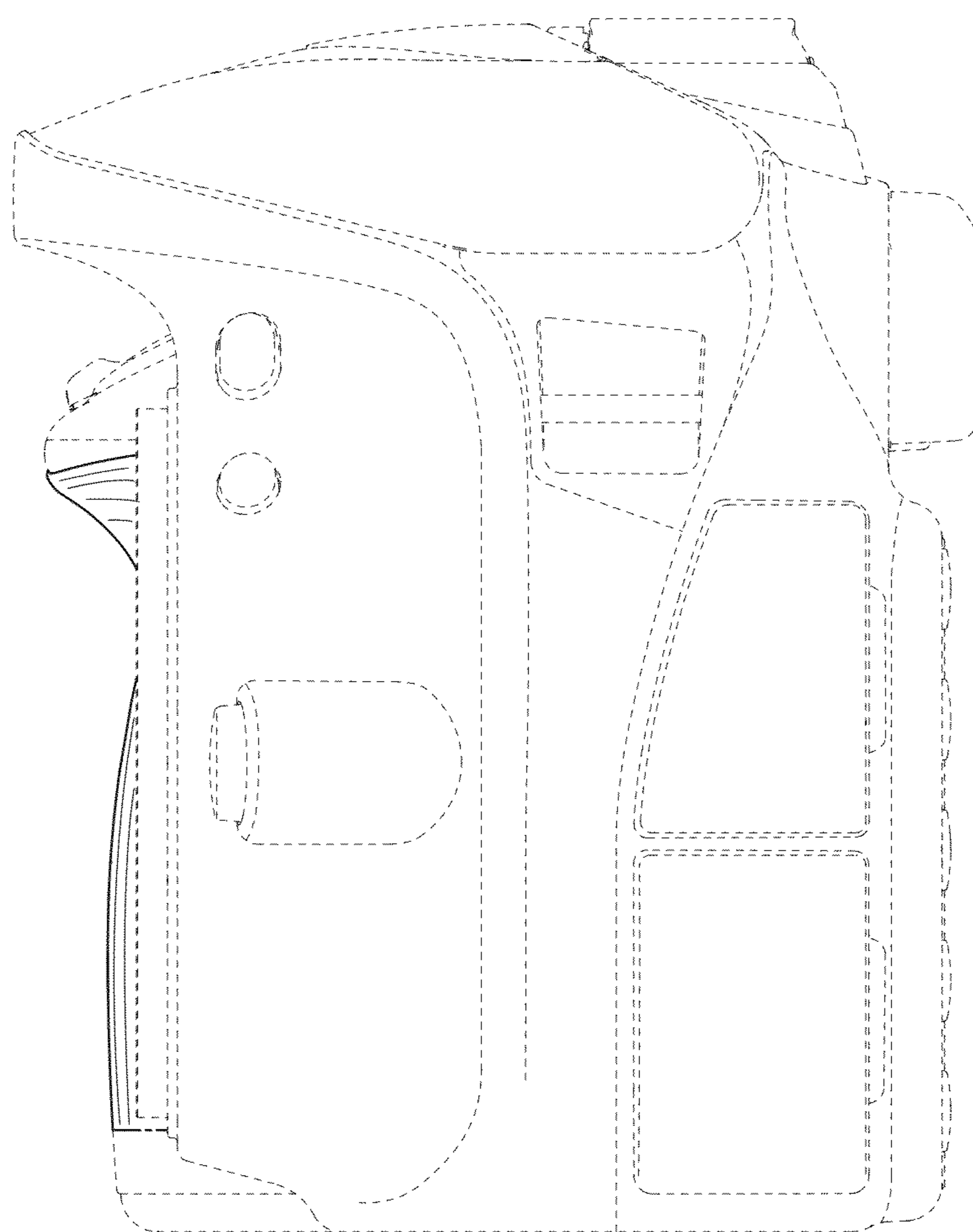


FIG. 8

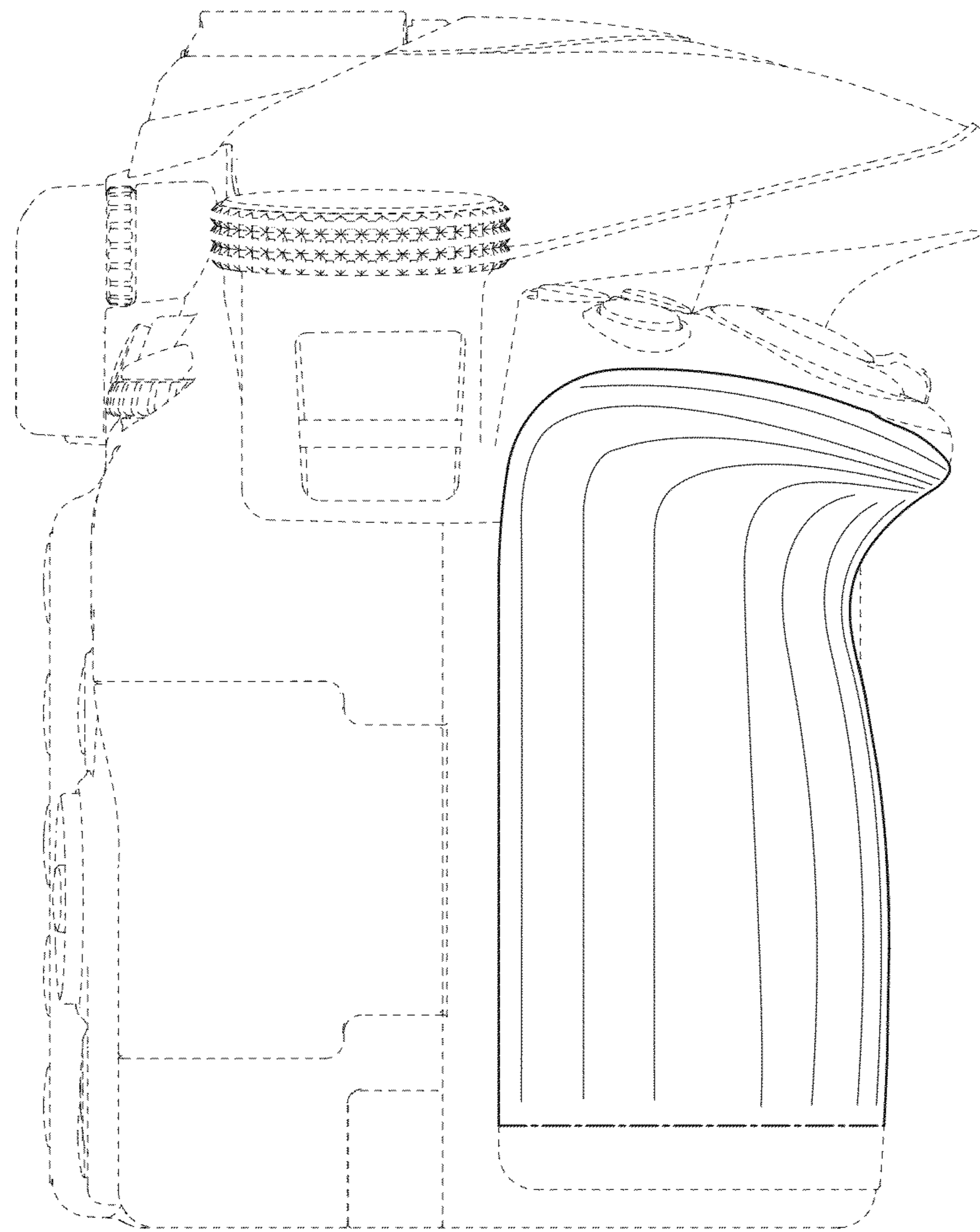


FIG. 9

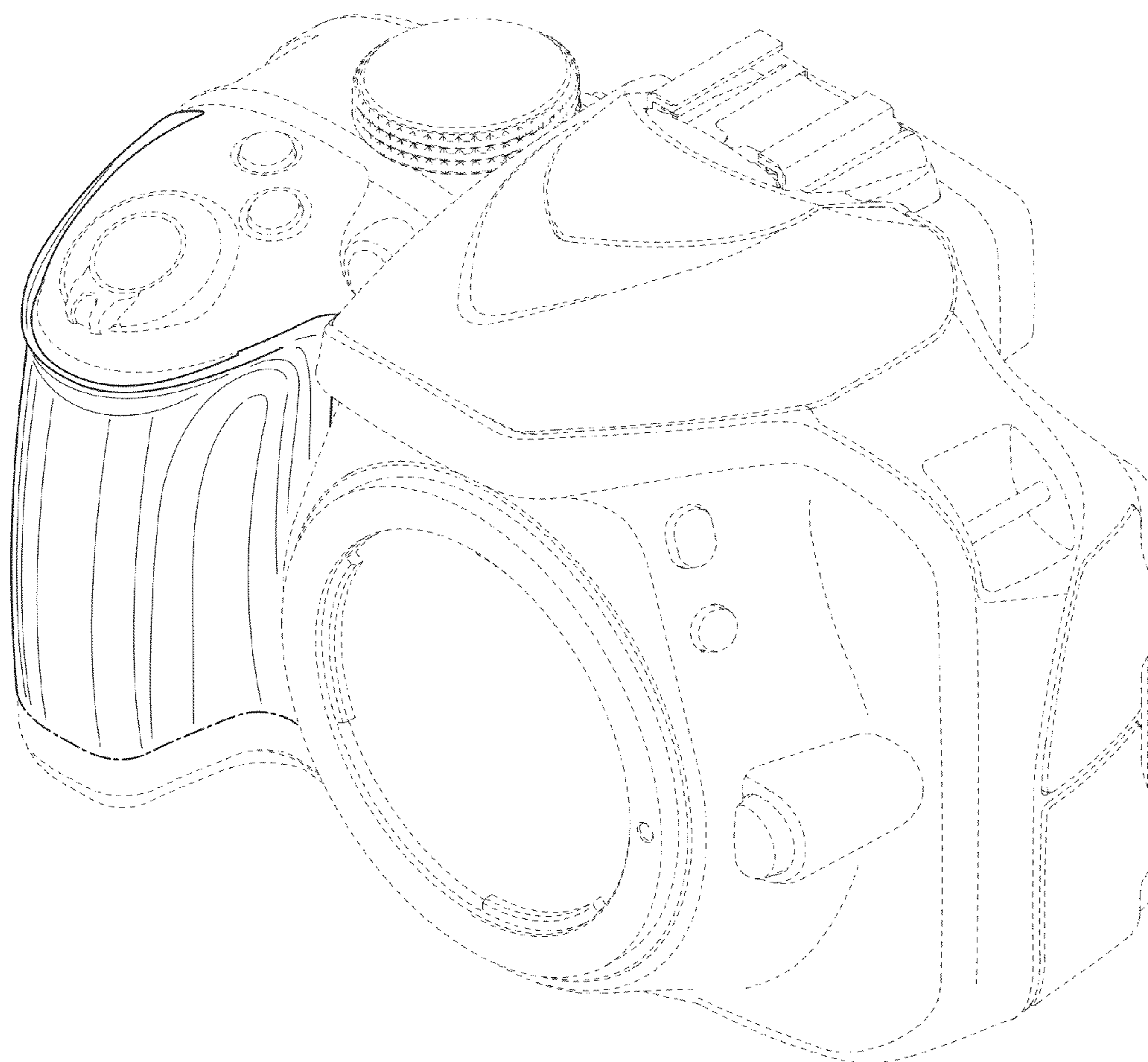


FIG. 10

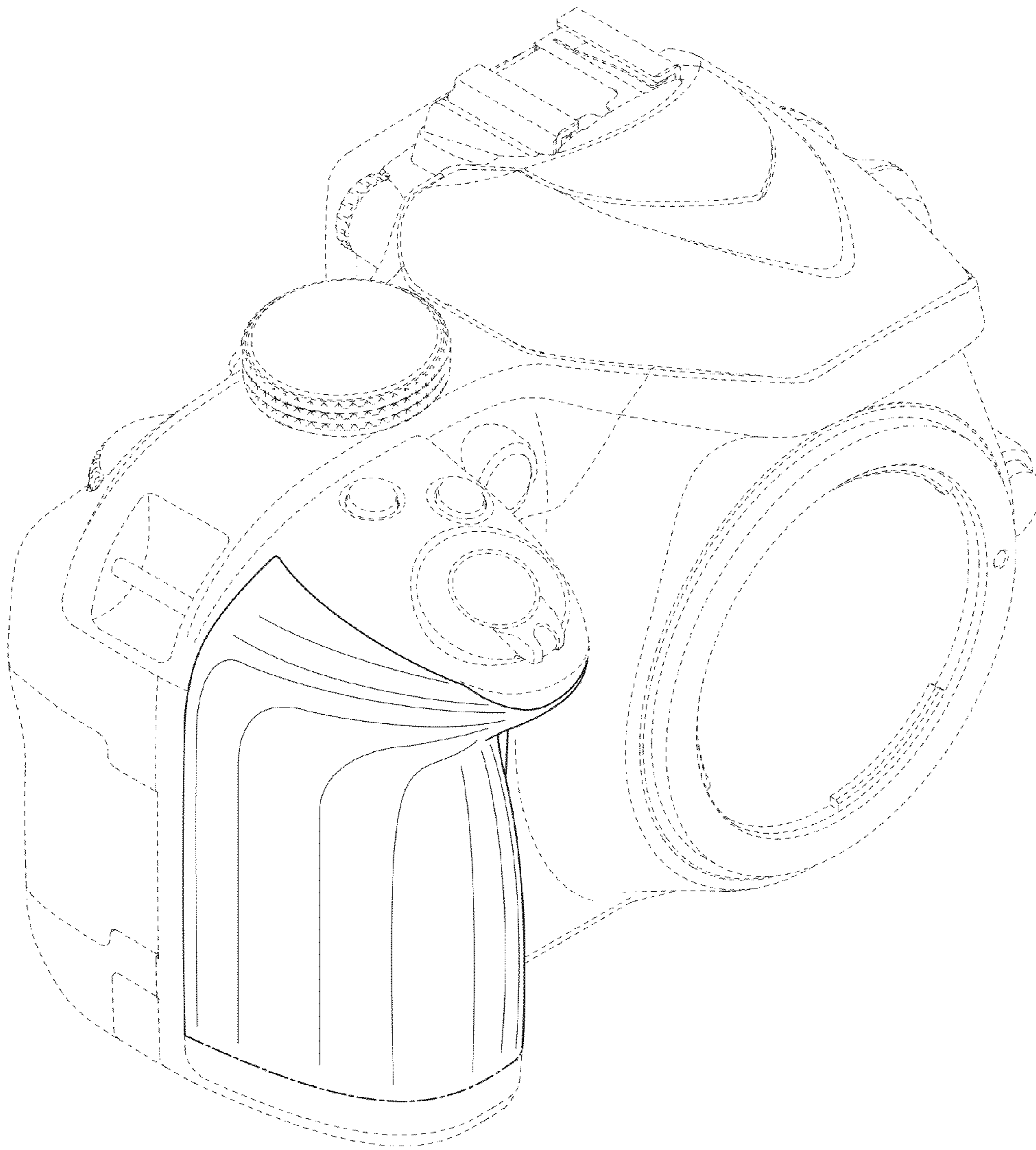


FIG. 11

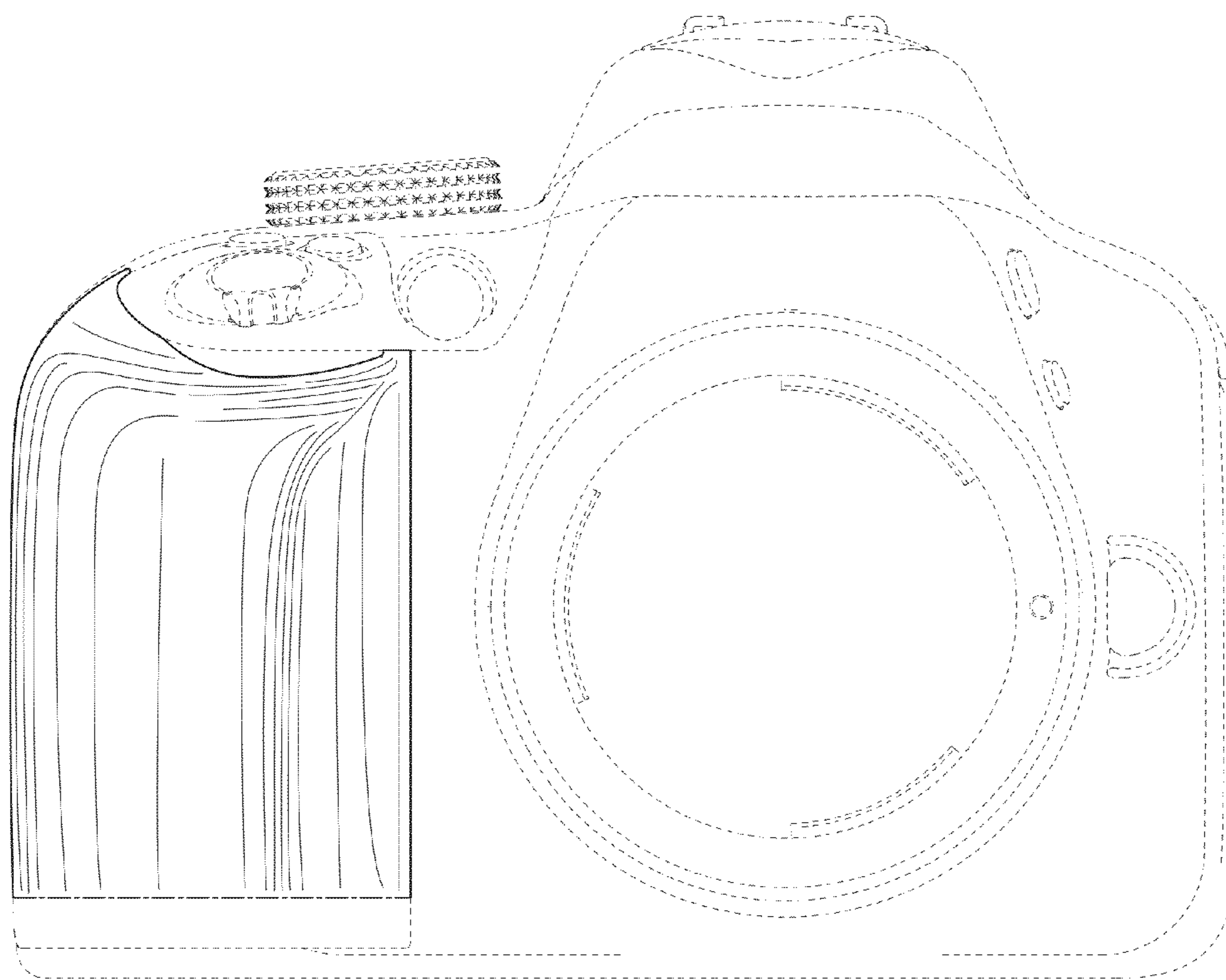


FIG. 12

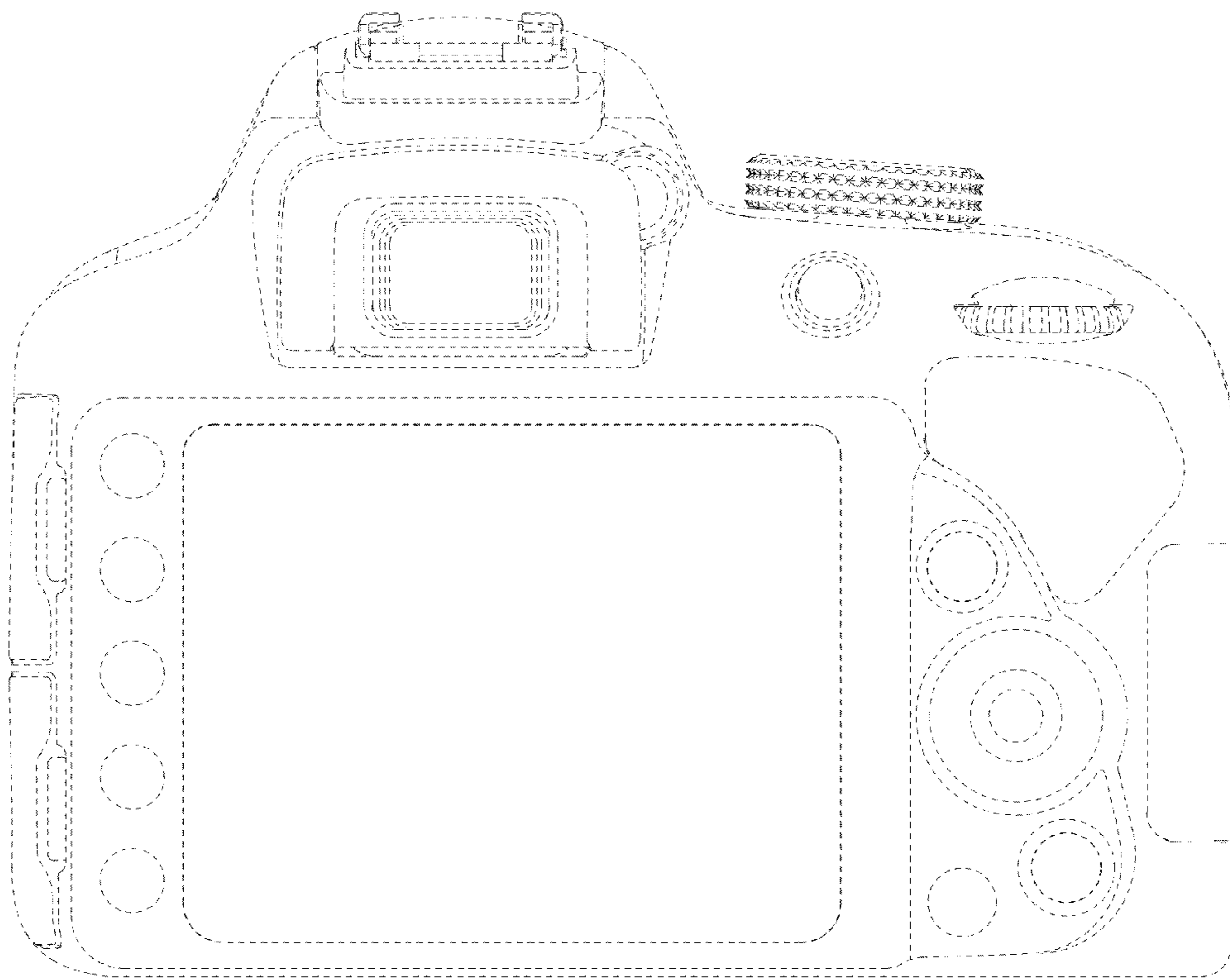


FIG. 13

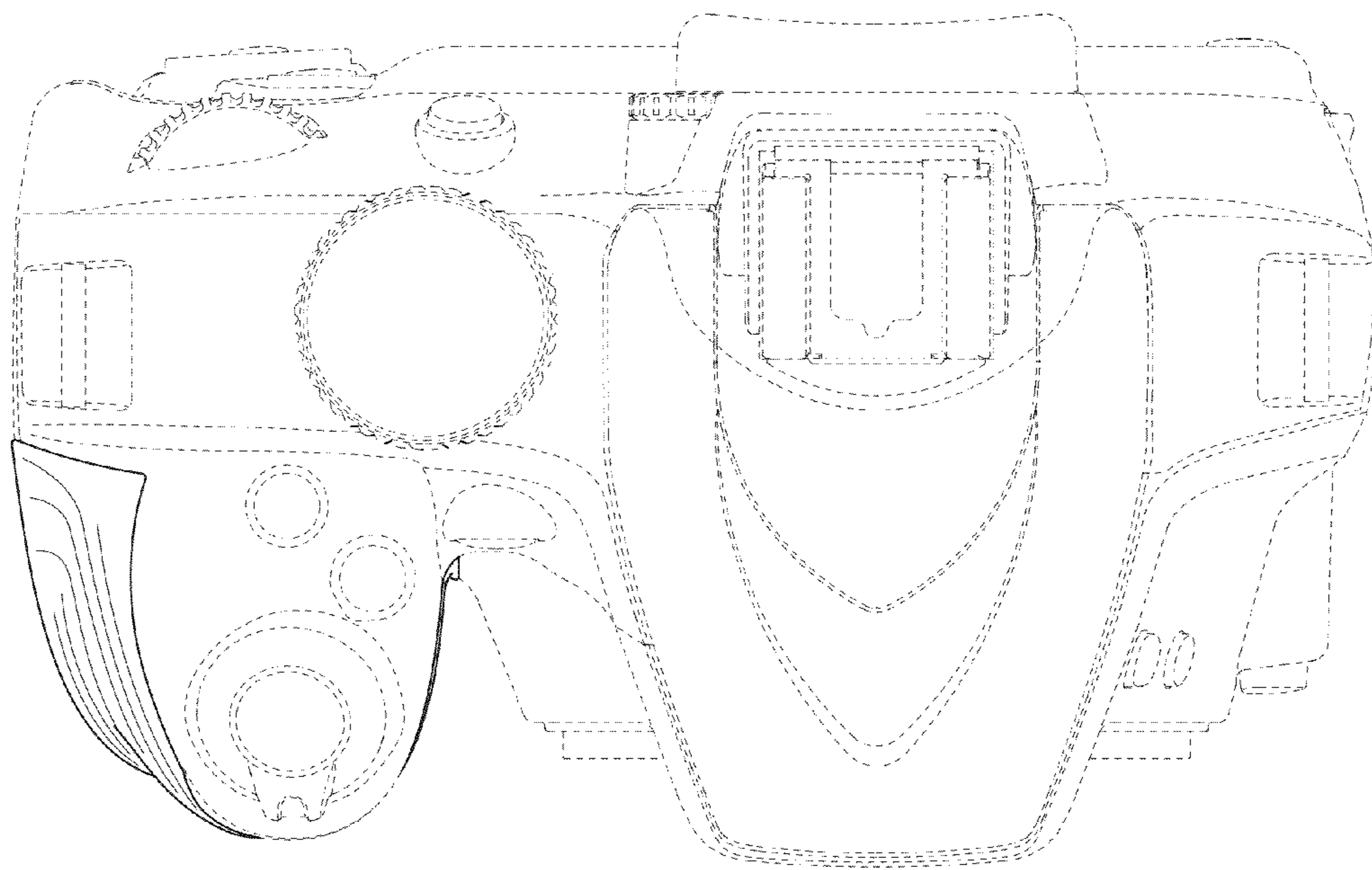


FIG. 14

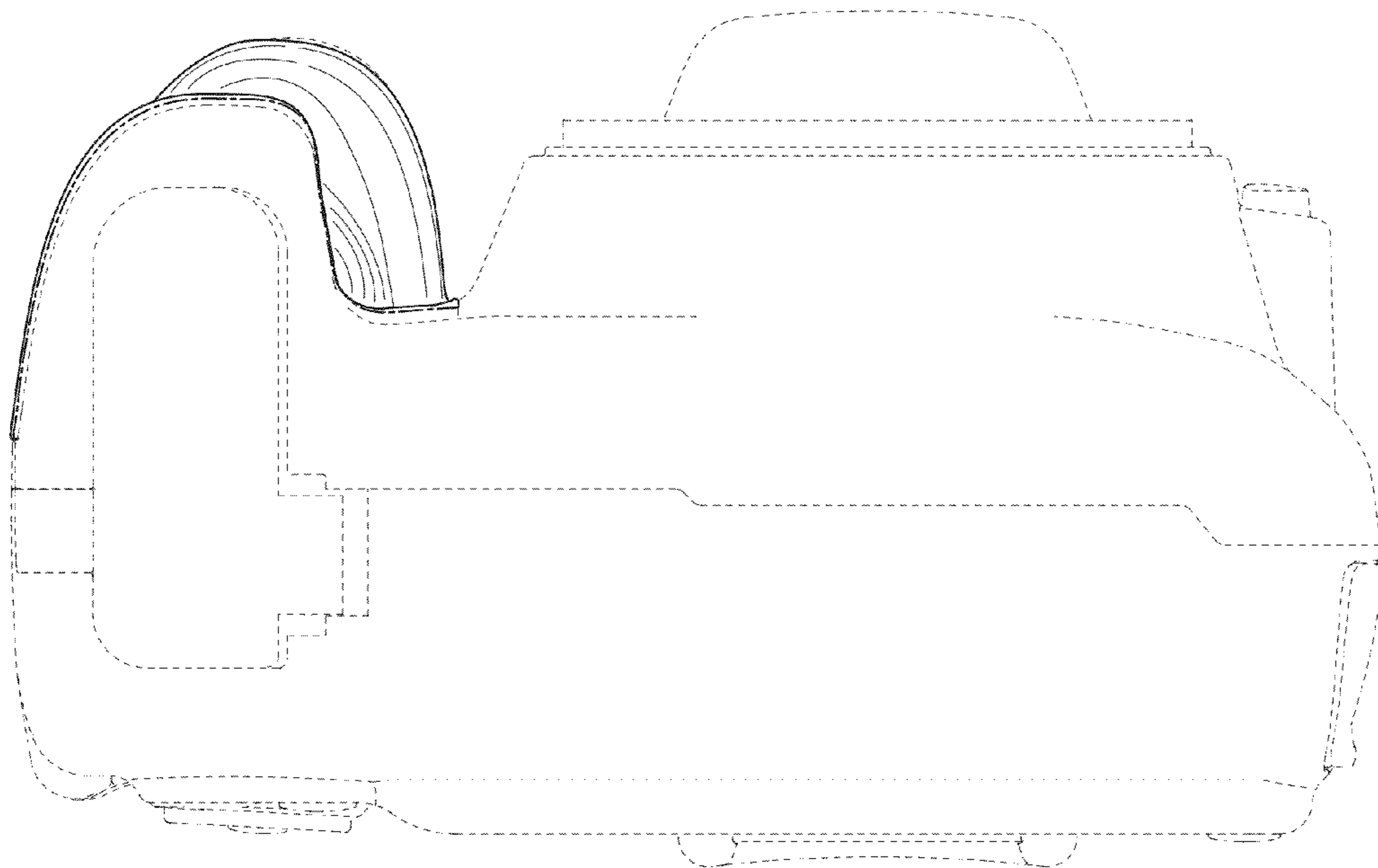


FIG. 15

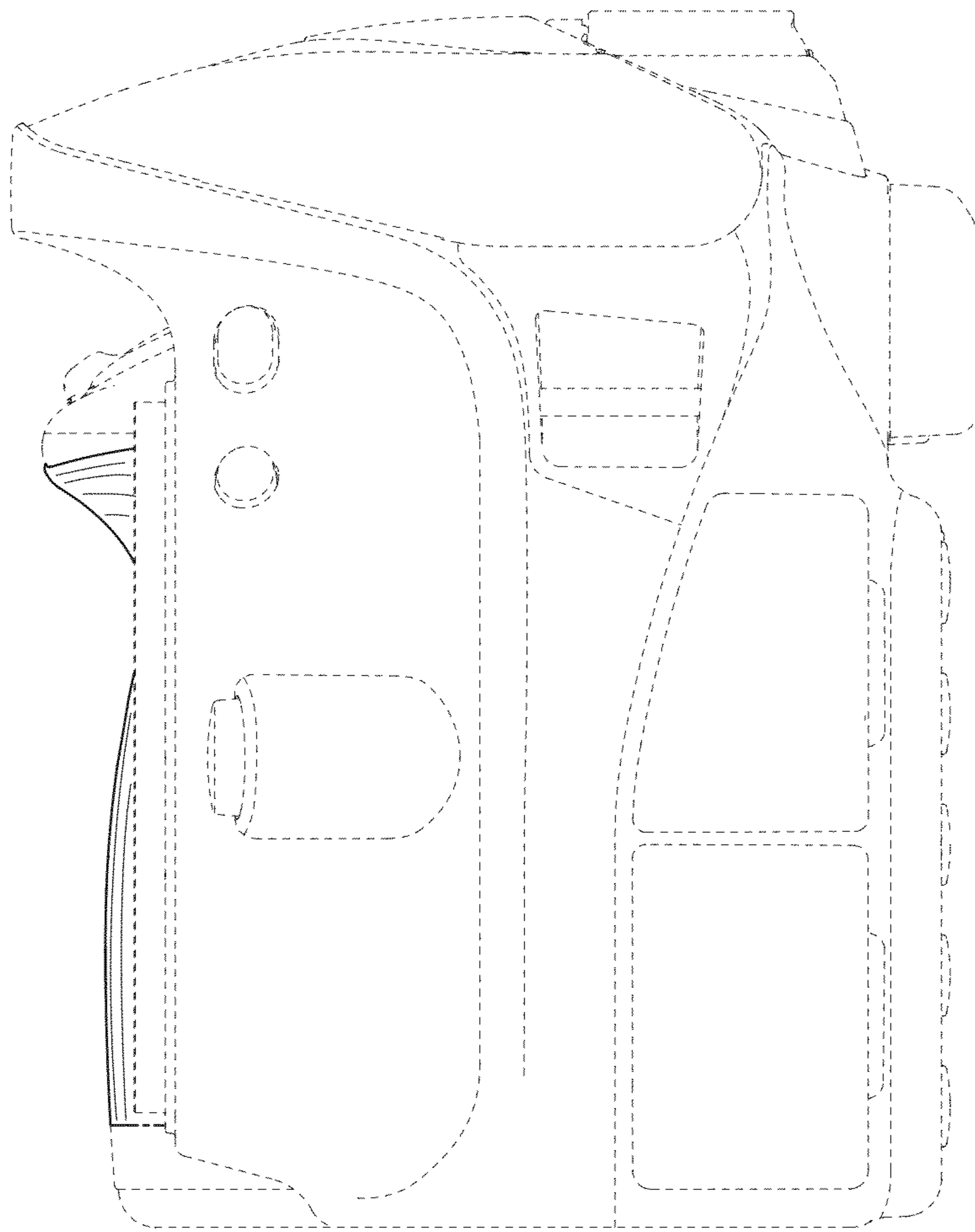


FIG. 16

