



US00D745070S

(12) **United States Design Patent**
Schindler

(10) **Patent No.:** **US D745,070 S**

(45) **Date of Patent:** **** Dec. 8, 2015**

(54) **MACHINE TOOL**

(71) Applicants: **DMG MORI SEIKI CO., LTD.**,
Yamatokoriyama-shi, Nara (JP); **DMG MORI SEIKI AKTIENGESELLSCHAFT**, Bielefeld (DE)

(72) Inventor: **Dominic Schindler**, Lauterach (AT)

(73) Assignees: **DMG MORI SEIKI CO., LTD.**, Yamatokoriyama-shi (JP); **DMG MORI SEIKI AKTIENGESELLSCHAFT**, Bielefeld (DE)

(**) Term: **14 Years**

(21) Appl. No.: **29/484,884**

(22) Filed: **Mar. 13, 2014**

(30) **Foreign Application Priority Data**

Sep. 13, 2013 (EP) 002309245

(51) **LOC (10) CL.** **15-09**

(52) **U.S. CL.**
USPC **D15/122**

(58) **Field of Classification Search**
USPC D15/122, 127, 130
See application file for complete search history.

(56) **References Cited**

U.S. PATENT DOCUMENTS

D122,752 S *	9/1940	Monroe	D15/141
D265,912 S *	8/1982	Frenkel	D15/138
D319,834 S *	9/1991	Rutschle	D15/131
5,367,754 A *	11/1994	Sheehan et al.	29/27 C
5,960,690 A *	10/1999	Romi	82/133
D445,807 S *	7/2001	Baulk	D15/127
D489,077 S *	4/2004	Bloch	D15/127
D548,755 S *	8/2007	Takeshima et al.	D15/122

D559,871 S *	1/2008	Kittaka et al.	D15/122
D578,144 S *	10/2008	Arisue et al.	D15/122
D638,449 S *	5/2011	Schindler et al.	D15/122
D651,620 S *	1/2012	Schindler et al.	D15/122
D654,099 S *	2/2012	Schindler et al.	D15/122
D654,518 S *	2/2012	Miyake et al.	D15/122
D658,686 S *	5/2012	Mueller	D15/122
D671,969 S *	12/2012	Yang et al.	D15/122
D676,882 S *	2/2013	Mueller	D15/122
D680,563 S *	4/2013	Yang et al.	D15/122
D694,787 S *	12/2013	Mueller	D15/122
D696,315 S *	12/2013	Schmid	D15/122
D700,638 S *	3/2014	Shou et al.	D15/123
D711,947 S *	8/2014	Son et al.	D15/199
D711,948 S *	8/2014	Son et al.	D15/199
D718,795 S *	12/2014	Schonherr et al.	D15/122
2002/0170689 A1 *	11/2002	Yamagami et al.	160/368.1
2013/0061726 A1 *	3/2013	Katsu et al.	82/1.11
2014/0069609 A1 *	3/2014	Caihuzac	165/67
2014/0174774 A1 *	6/2014	Okamoto et al.	173/20
2014/0319746 A1 *	10/2014	Kozawa	269/14
2014/0341669 A1 *	11/2014	Fleischer et al.	409/20
2014/0377028 A1 *	12/2014	Inaguchi	409/134

* cited by examiner

Primary Examiner — Patricia Palasik

(74) *Attorney, Agent, or Firm* — Oliff PLC

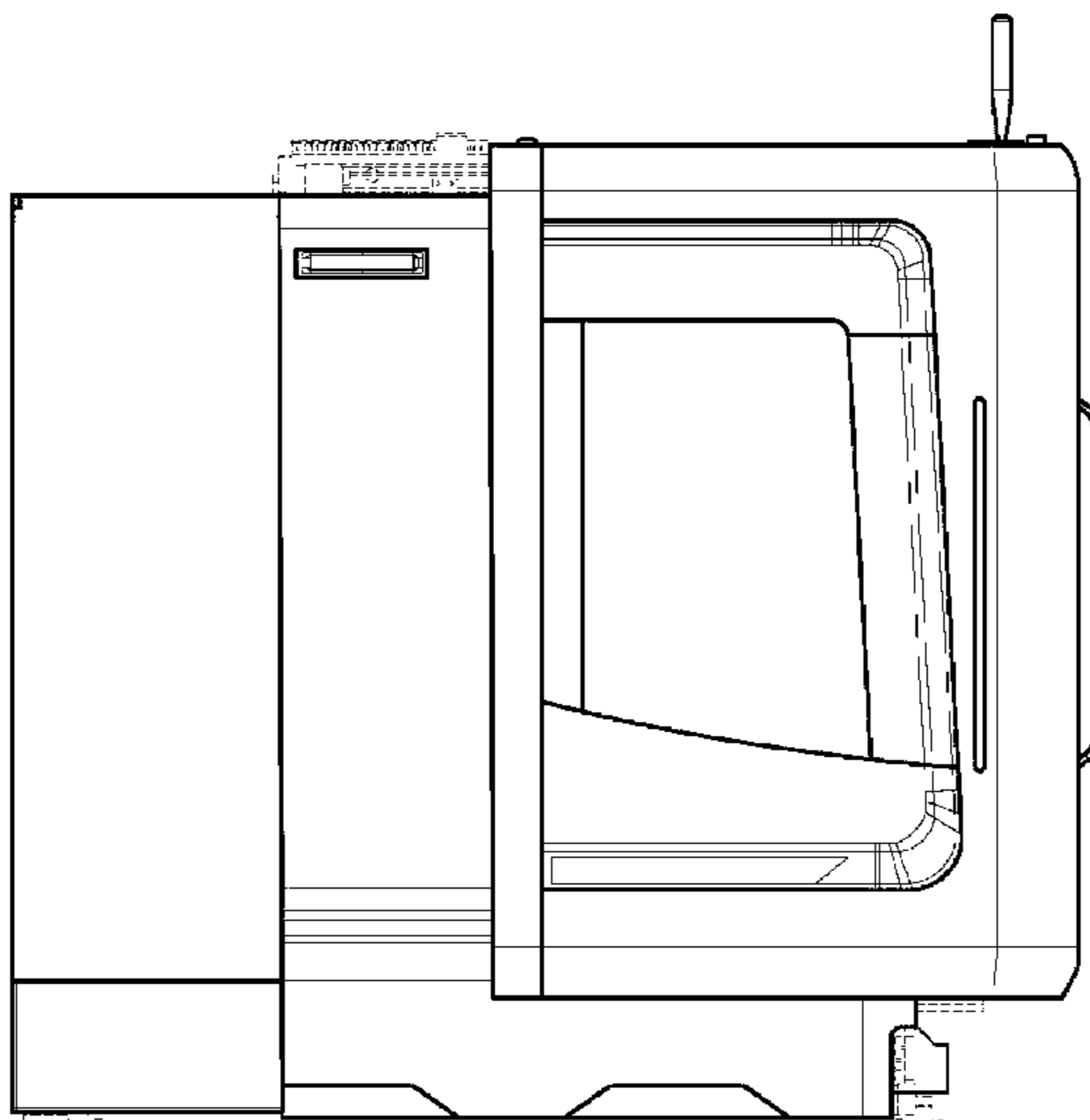
(57) **CLAIM**

The ornamental design for a machine tool, as shown and described.

DESCRIPTION

FIG. 1 is a front view of the machine tool;
FIG. 2 is a rear view thereof;
FIG. 3 is a left-side view thereof;
FIG. 4 is a right-side view thereof;
FIG. 5 is a bottom view thereof;
FIG. 6 is a top view thereof; and,
FIG. 7 is a perspective view thereof.
The broken lines in the drawings depict unclaimed environmental subject matter.

1 Claim, 7 Drawing Sheets



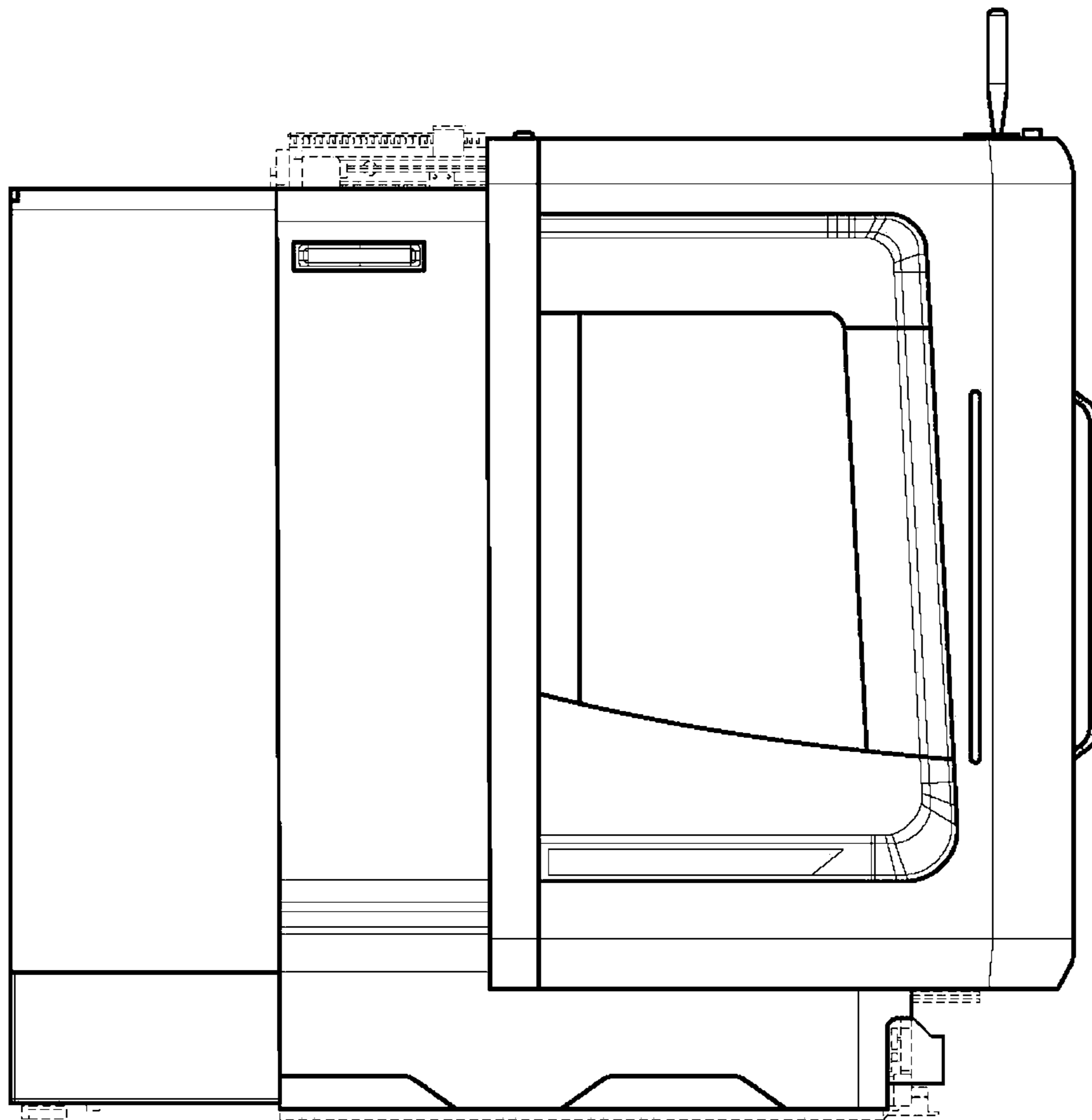


FIG. 1

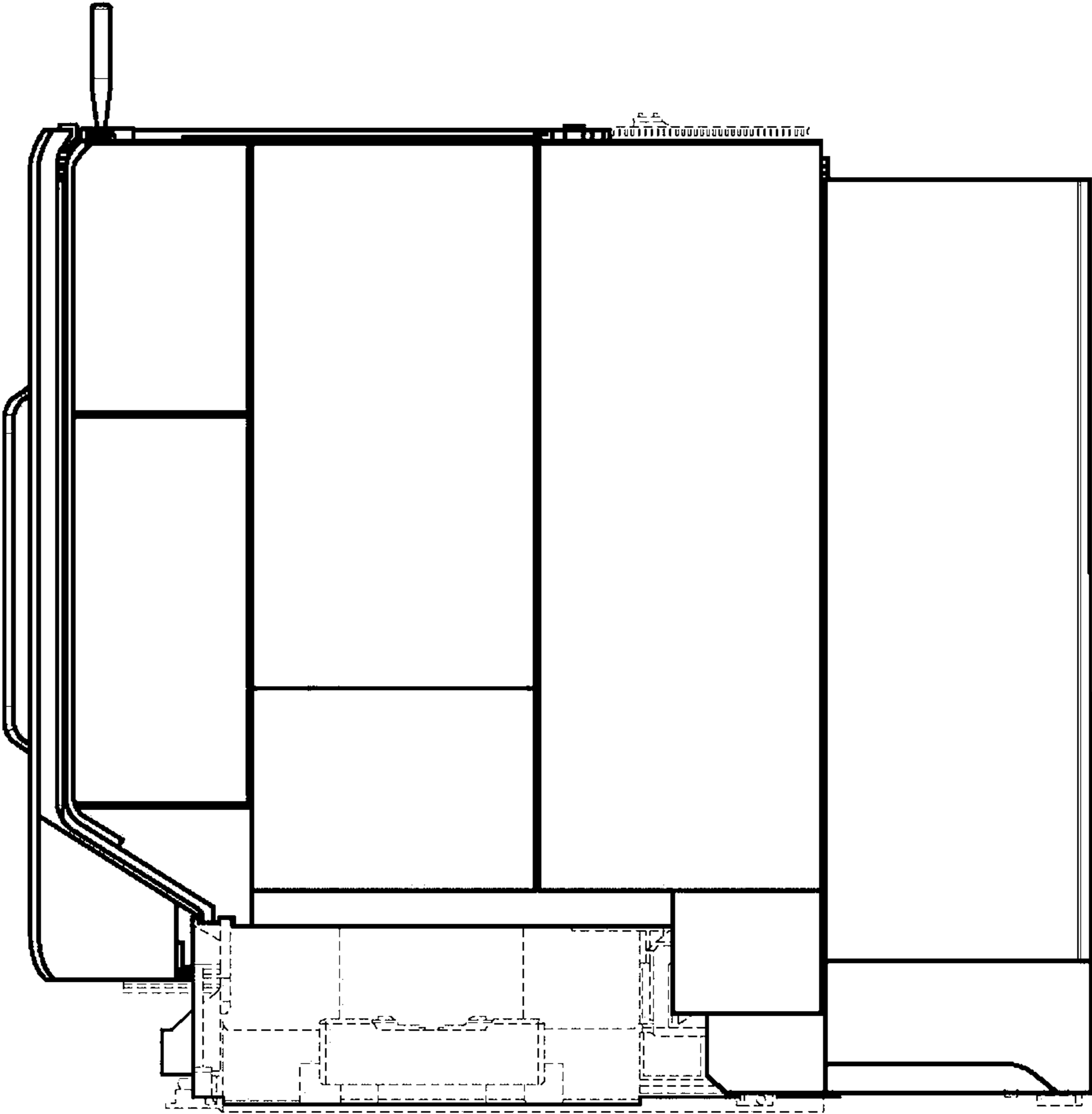


FIG. 2

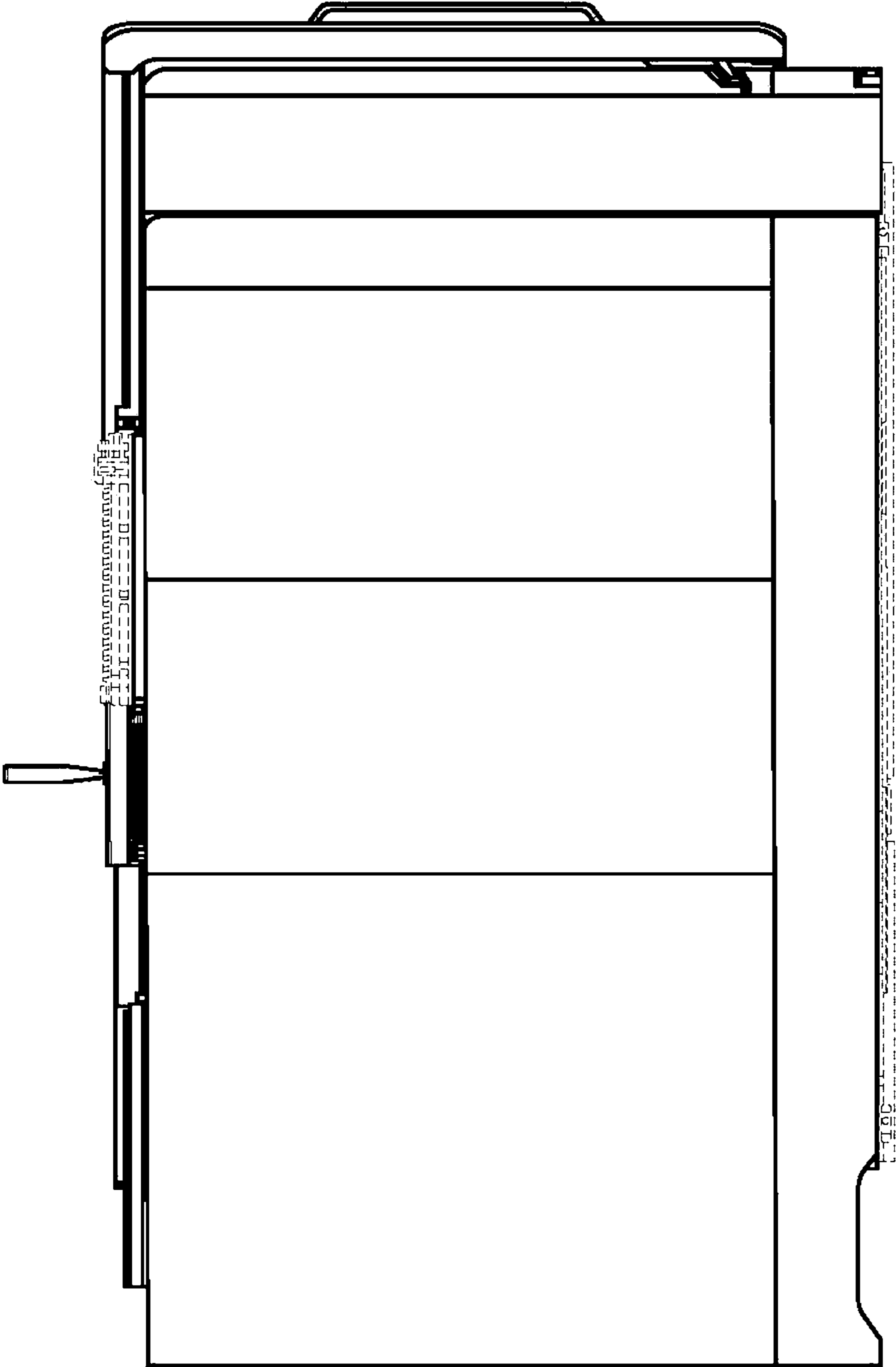


FIG. 3

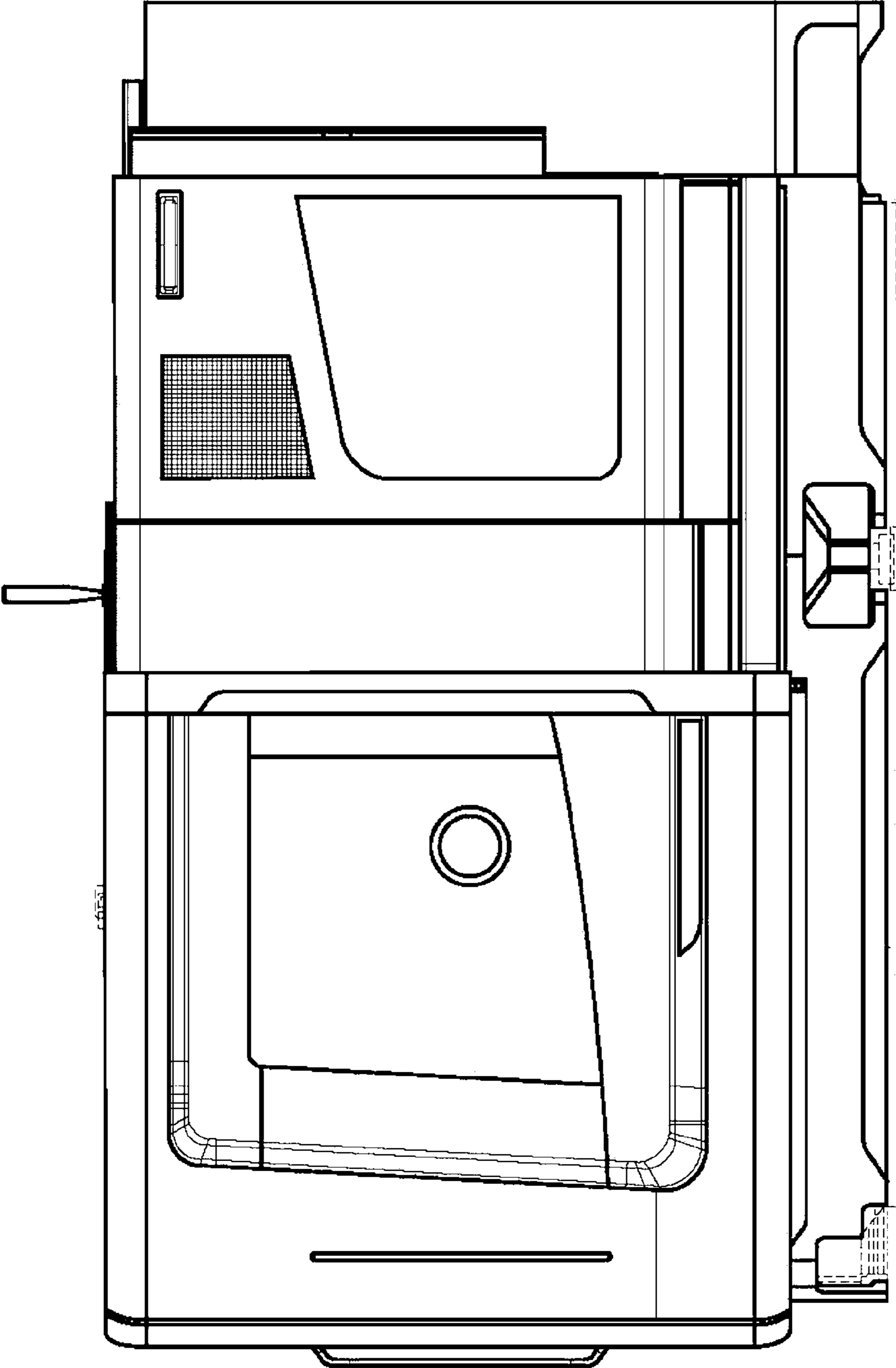


FIG. 4

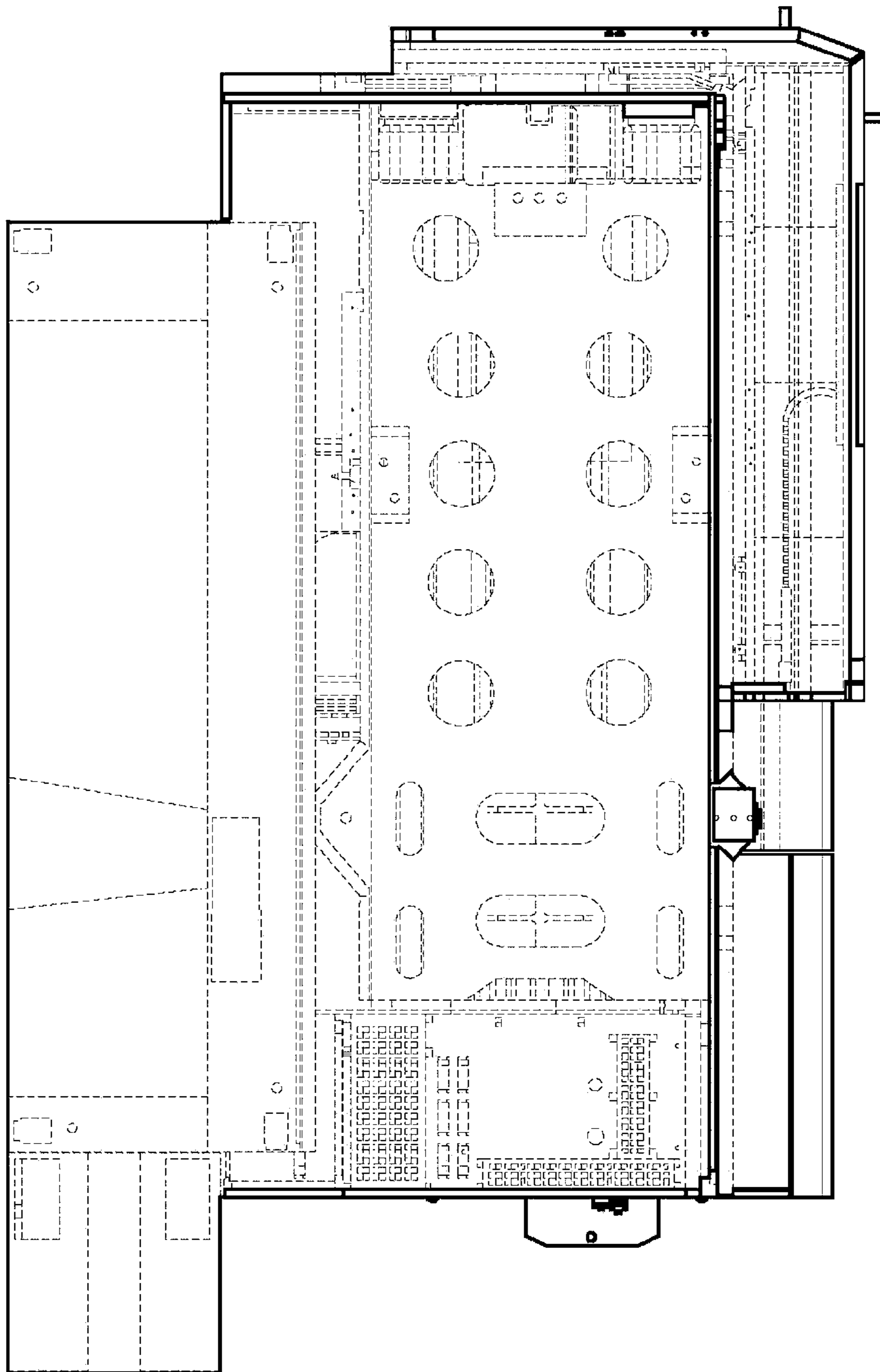


FIG. 5

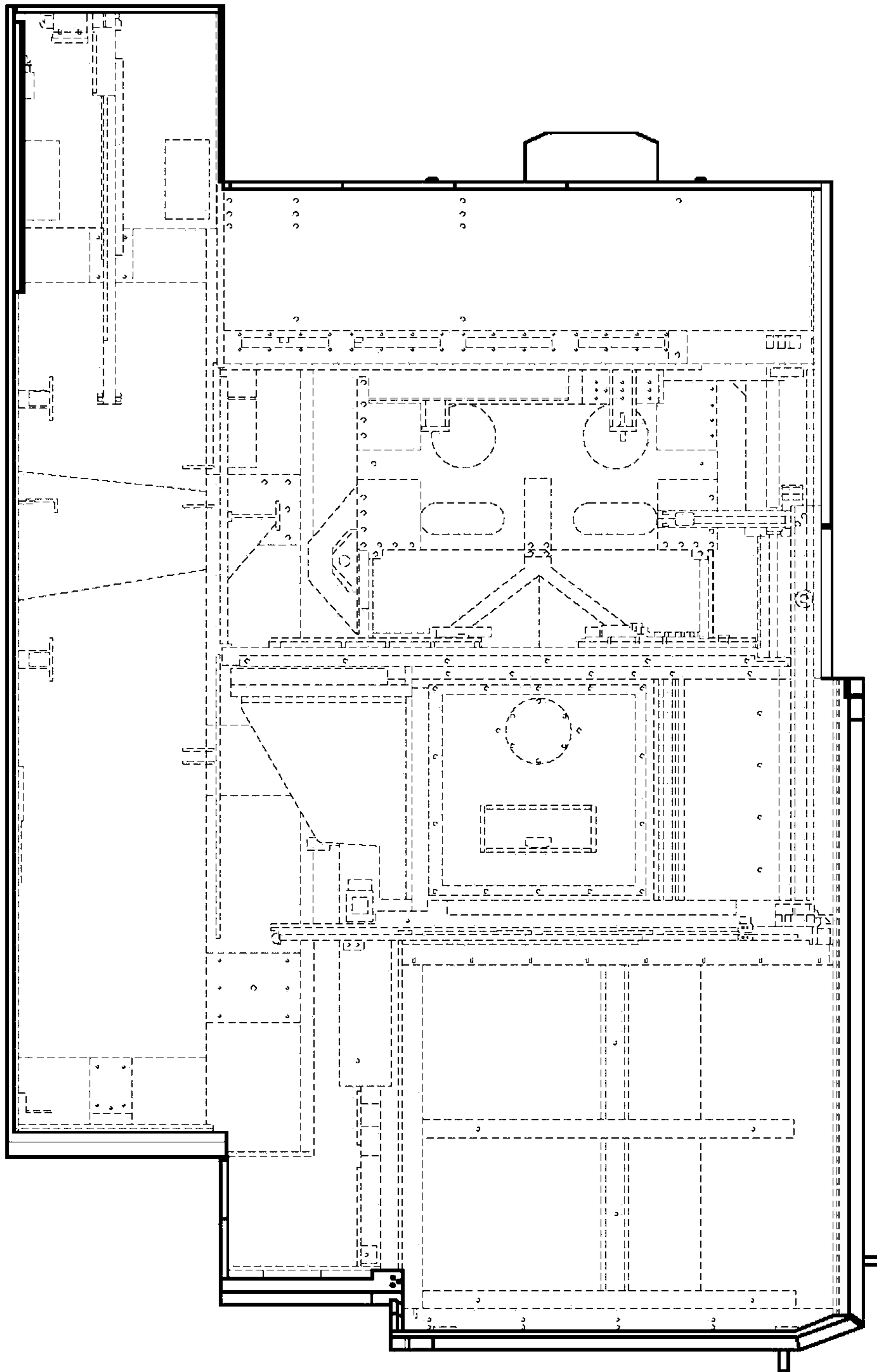


FIG. 6

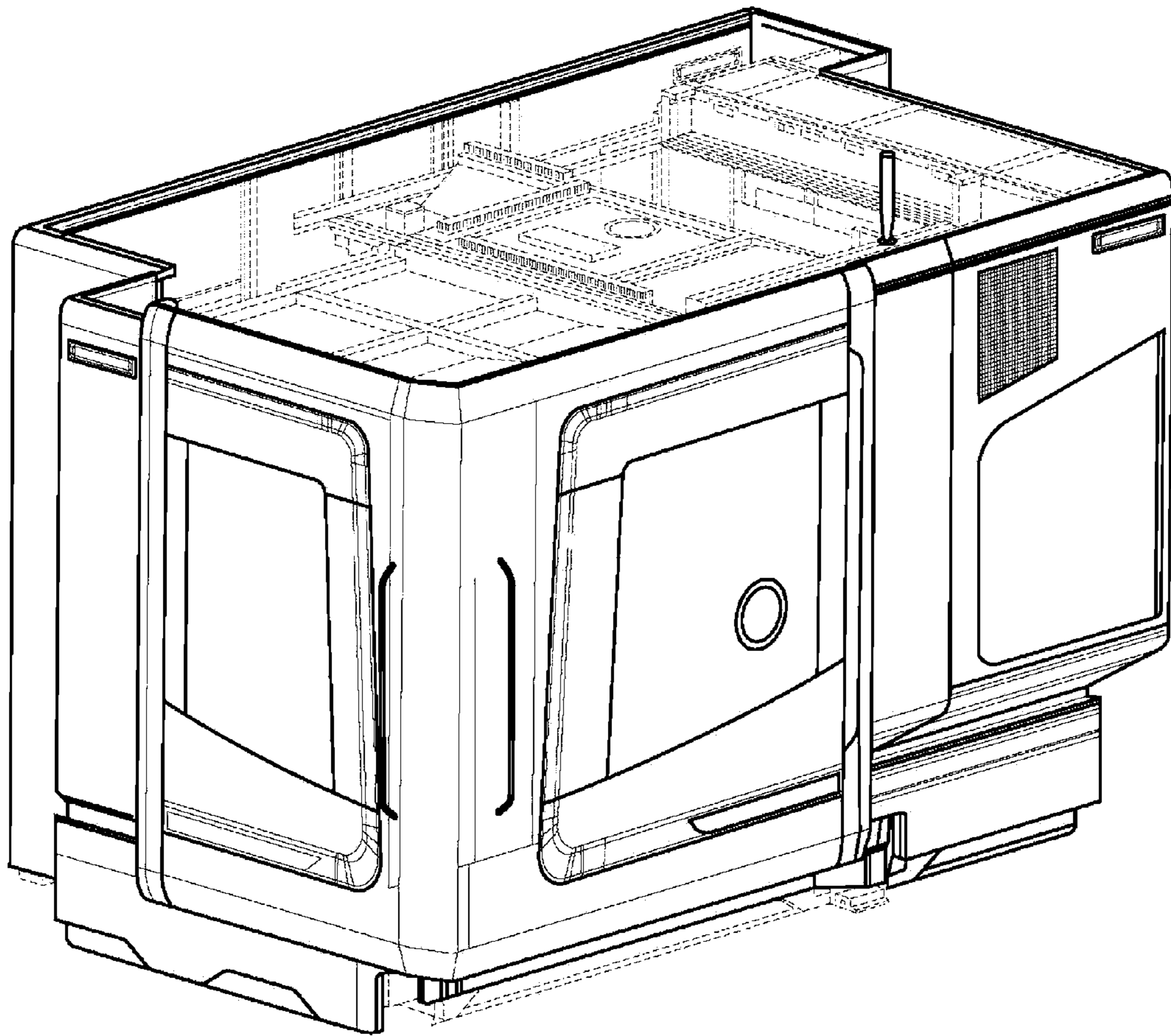


FIG. 7