



US00D745069S

(12) **United States Design Patent**  
**Kemperle et al.**

(10) **Patent No.:** **US D745,069 S**

(45) **Date of Patent:** **\*\* Dec. 8, 2015**

(54) **THREE-DIMENSIONAL PRINTER FRAME**

(56) **References Cited**

(71) Applicant: **MakerBot Industries, LLC**, Brooklyn, NY (US)

(72) Inventors: **Aljosa Kemperle**, Brooklyn, NY (US); **Taylor S. Goodman**, Chappaqua, NY (US); **Samuel Holland**, Brooklyn, NY (US); **Jackson Seidenberg**, Brooklyn, NY (US); **Vishnu Anantha**, Queens, NY (US); **William B. Buel**, Sunnyvale, CA (US)

(73) Assignee: **MakerBot Industries, LLC**, Brooklyn, NY (US)

(\*\*) Term: **14 Years**

(21) Appl. No.: **29/478,429**

(22) Filed: **Jan. 5, 2014**

(51) **LOC (10) Cl.** ..... **15-09**

(52) **U.S. Cl.**  
USPC ..... **D15/122**

(58) **Field of Classification Search**  
USPC ..... D18/6-7, 14, 19, 50, 54.1, 54, 55, 59;  
D15/135, 138, 122; 101/38.1;  
264/112-113, 308, 401, 497, 642;  
425/162, 173, 375; D20/18; 118/46

See application file for complete search history.

U.S. PATENT DOCUMENTS

D390,591	S	*	2/1998	Okamoto et al.	.....	D18/39
5,885,511	A	*	3/1999	Heller et al.	.....	264/401
D539,841	S	*	4/2007	Hegge	.....	D18/53
7,297,304	B2	*	11/2007	Swanson et al.	.....	264/308
7,939,003	B2	*	5/2011	Bonassar et al.	.....	264/308
D677,723	S	*	3/2013	Buel et al.	.....	D18/59
D688,741	S	*	8/2013	Joyce	.....	D18/50
D711,463	S	*	8/2014	Costabeber	.....	D18/50
D722,108	S	*	2/2015	Reches et al.	.....	D18/50

\* cited by examiner

*Primary Examiner* — Cathy Anne MacCormac

(74) *Attorney, Agent, or Firm* — Strategic Patents, P.C.

(57) **CLAIM**

The ornamental design for a three-dimensional printer frame, as shown and described.

**DESCRIPTION**

FIG. 1 is a front perspective view of a design for a three-dimensional printer frame.

FIG. 2 is a right side view of the design.

FIG. 3 is a left side view of the design.

FIG. 4 is a front view of the design.

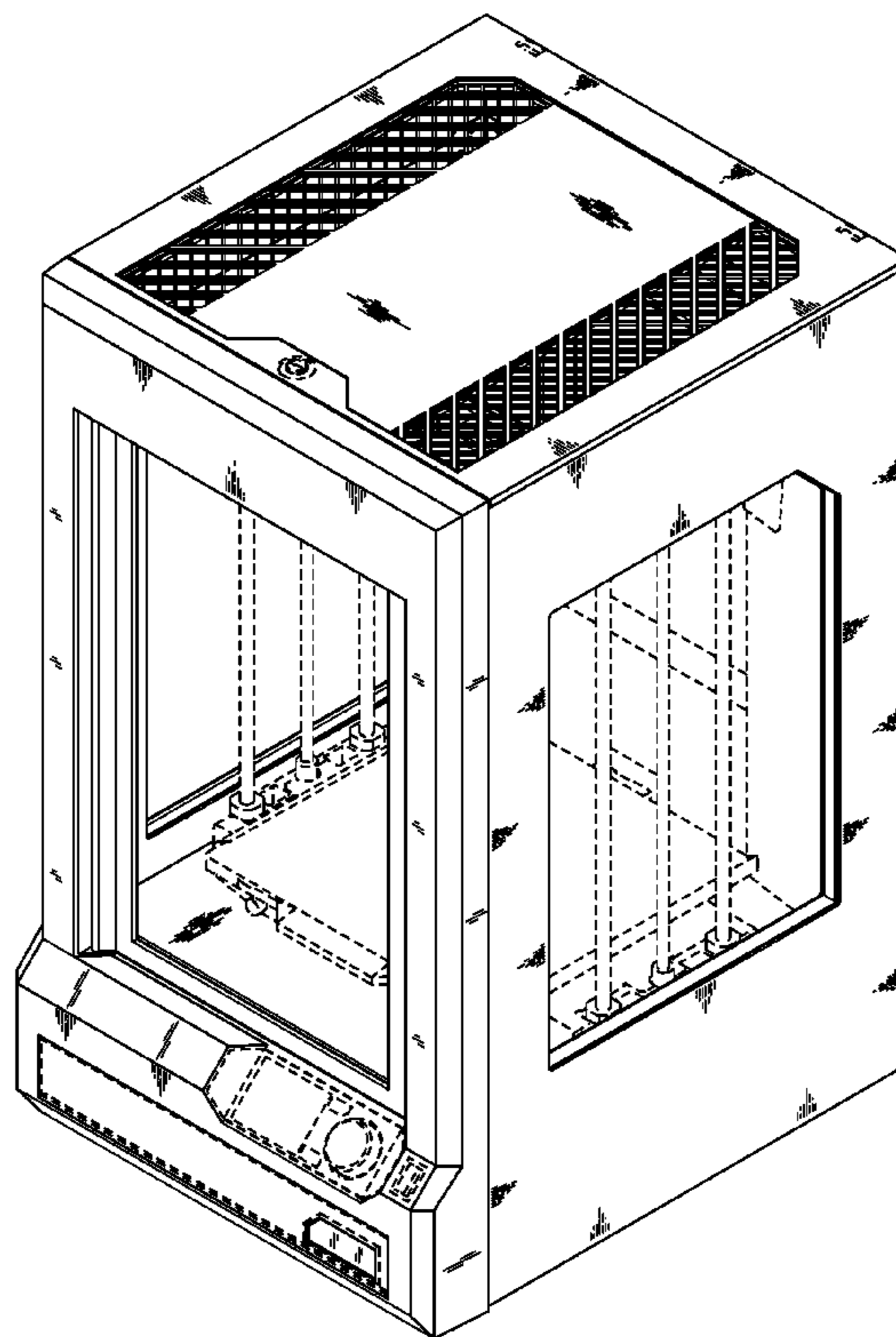
FIG. 5 is a back view of the design.

FIG. 6 is a top view of the design; and,

FIG. 7 is a bottom view of the design.

The broken lines showing portions of the three-dimensional printer frame depict environmental subject matter only and form no part of the claimed design.

**1 Claim, 7 Drawing Sheets**



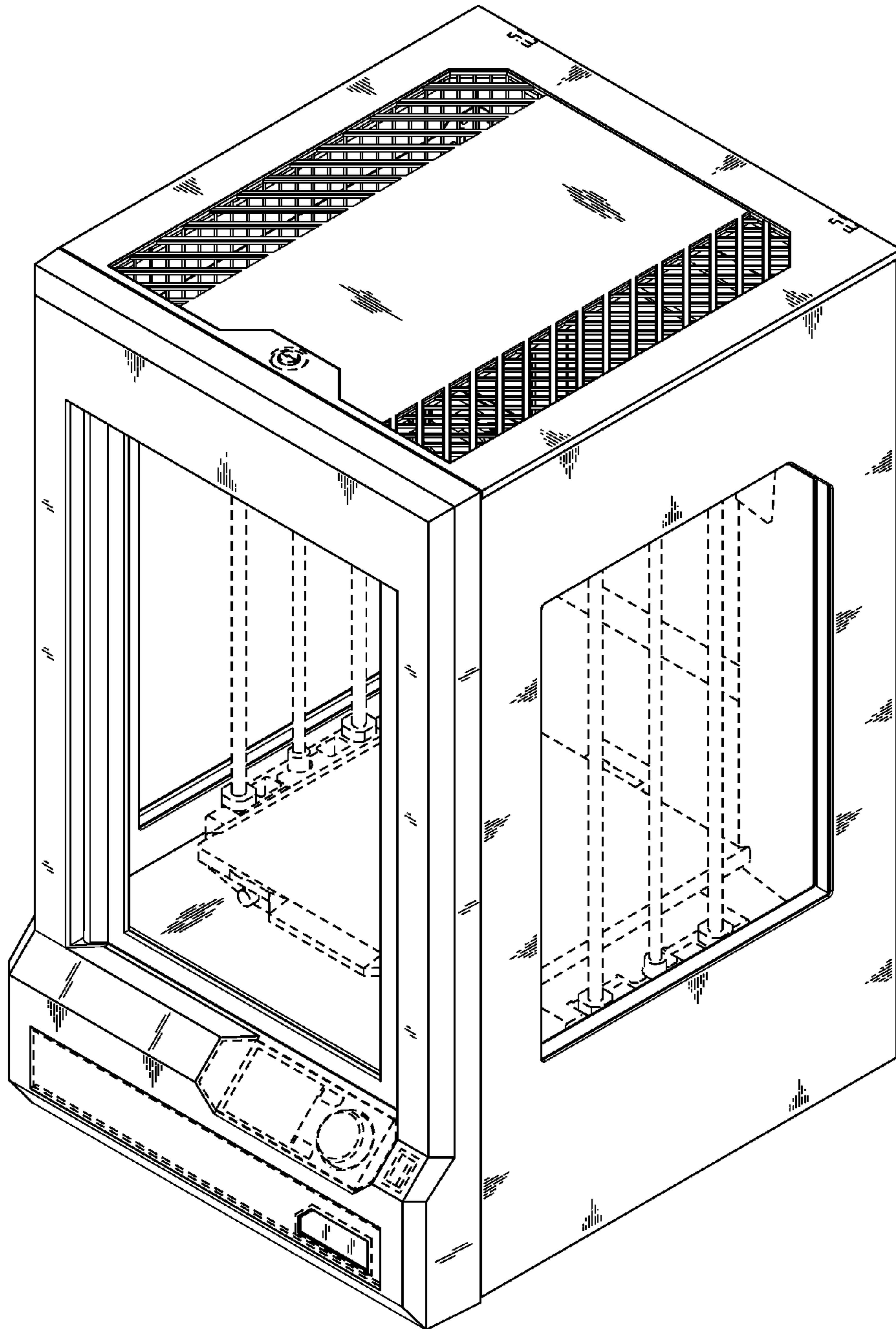


FIG. 1

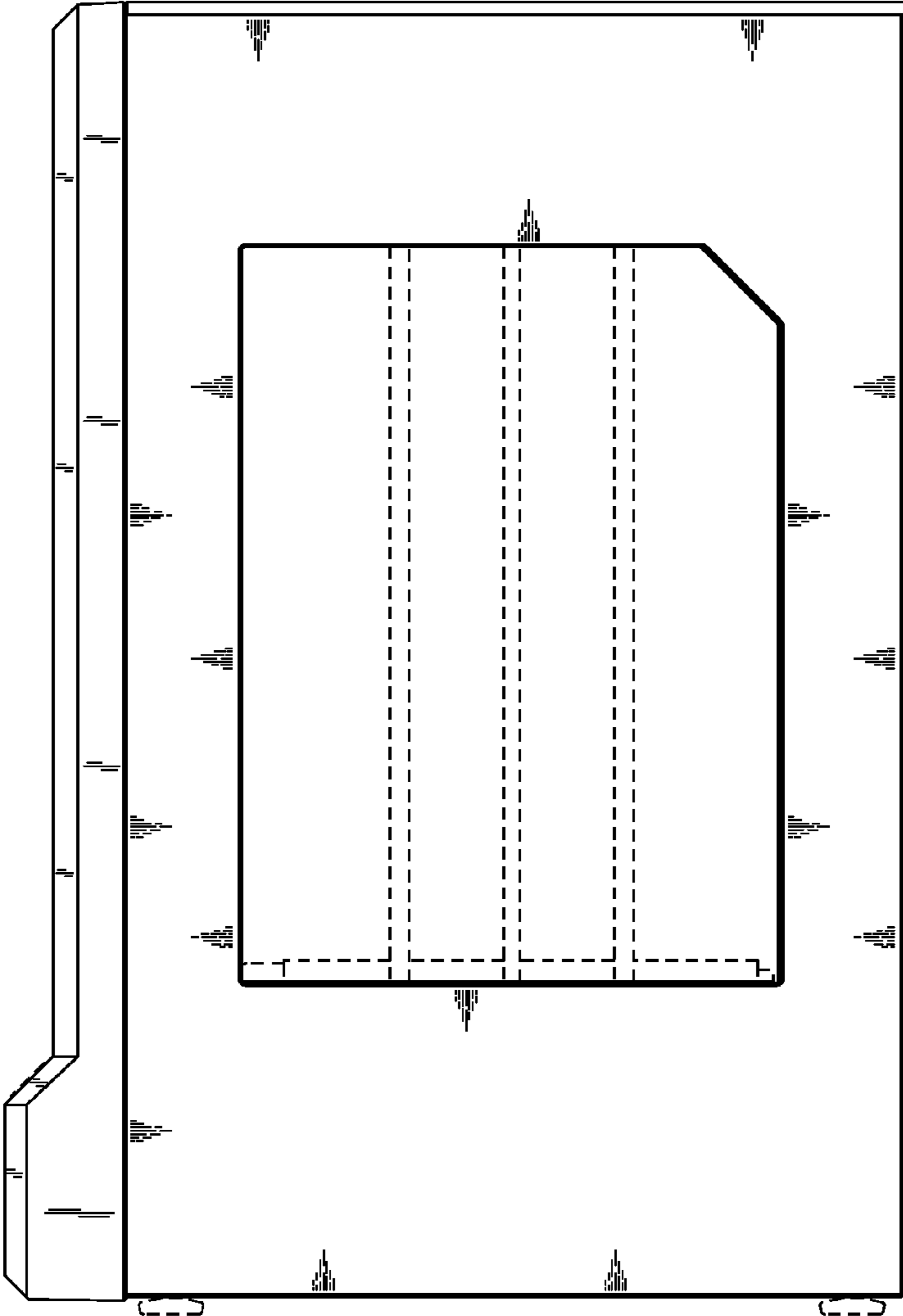


FIG. 2

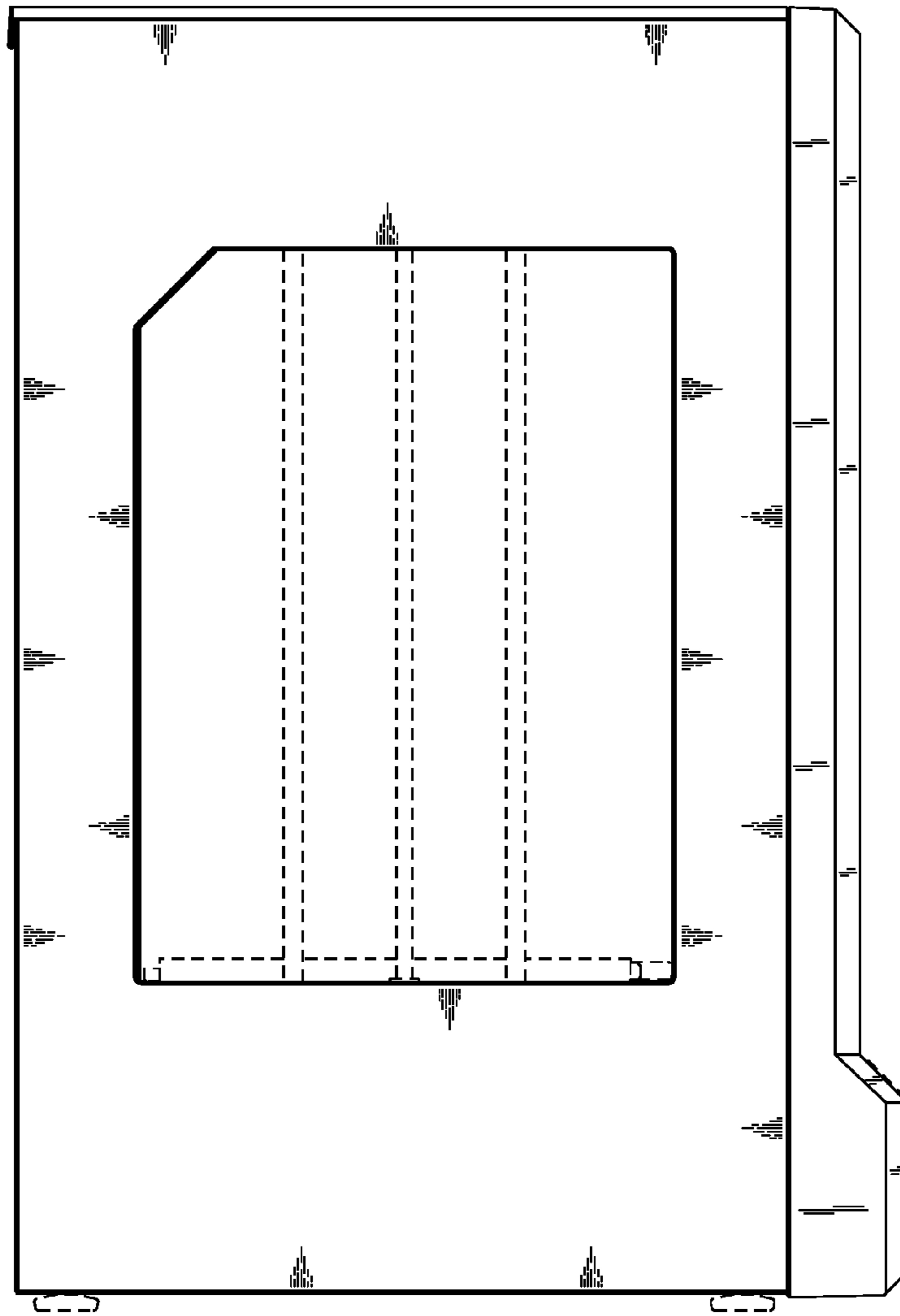


FIG. 3

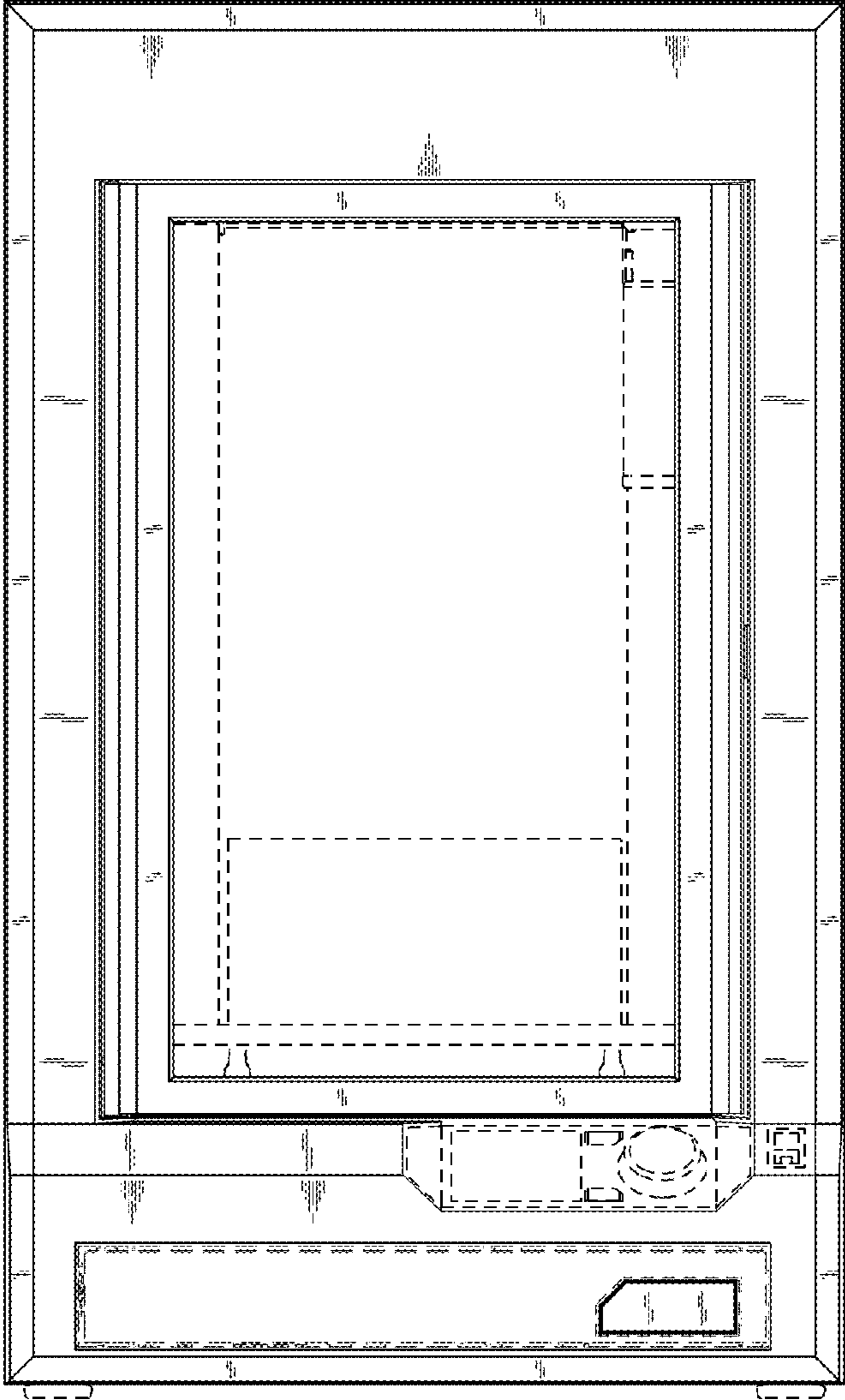
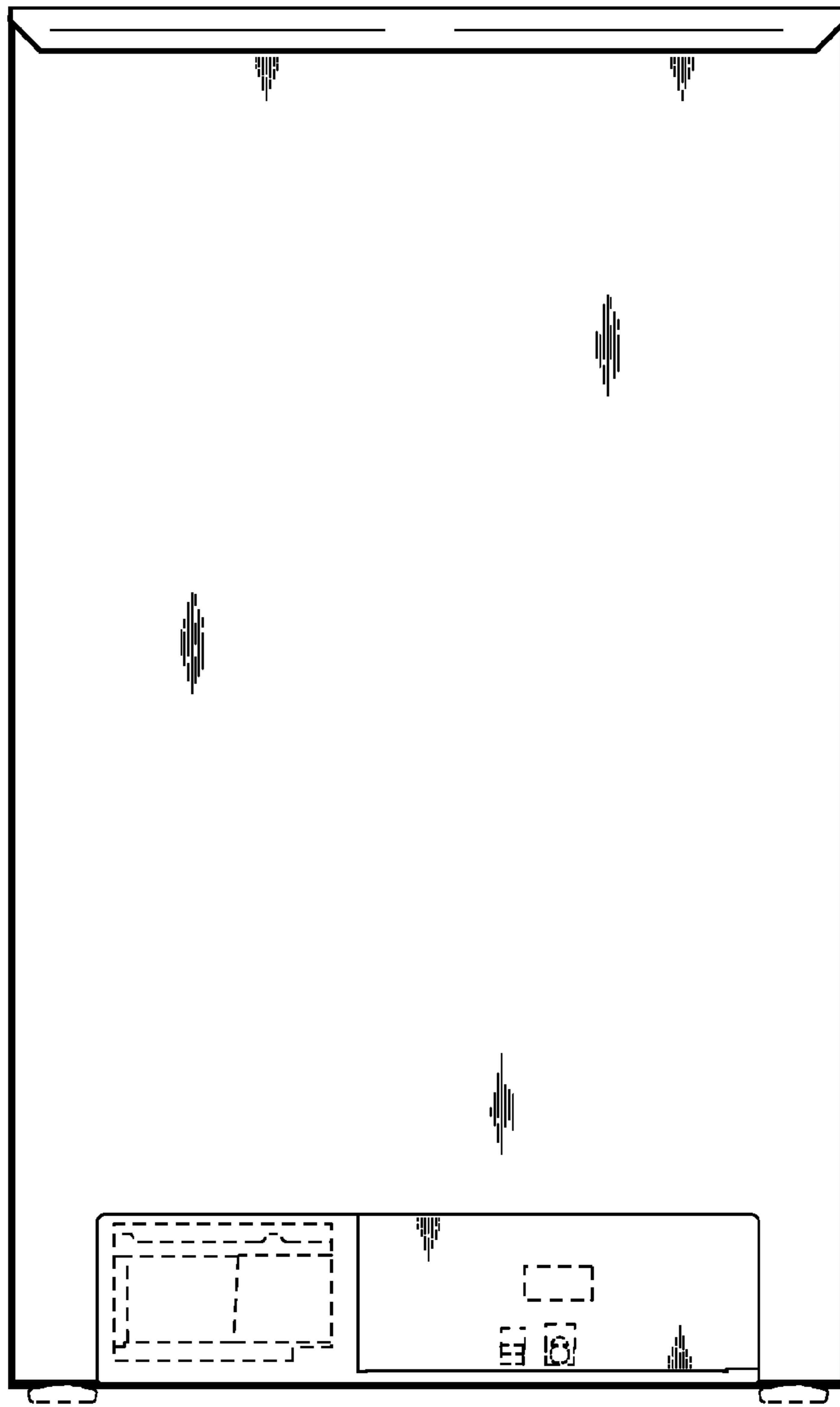


FIG. 4



*FIG. 5*

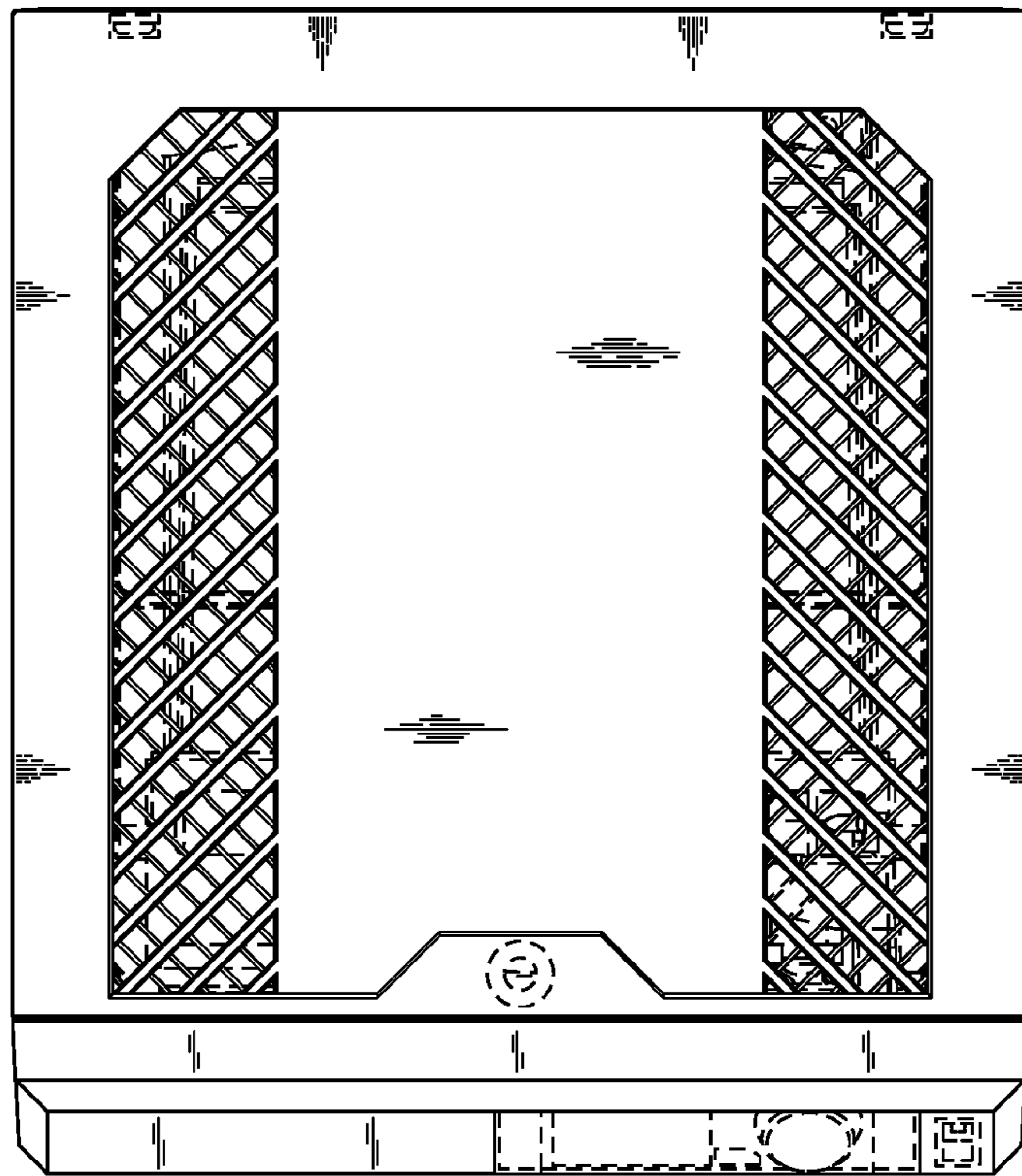
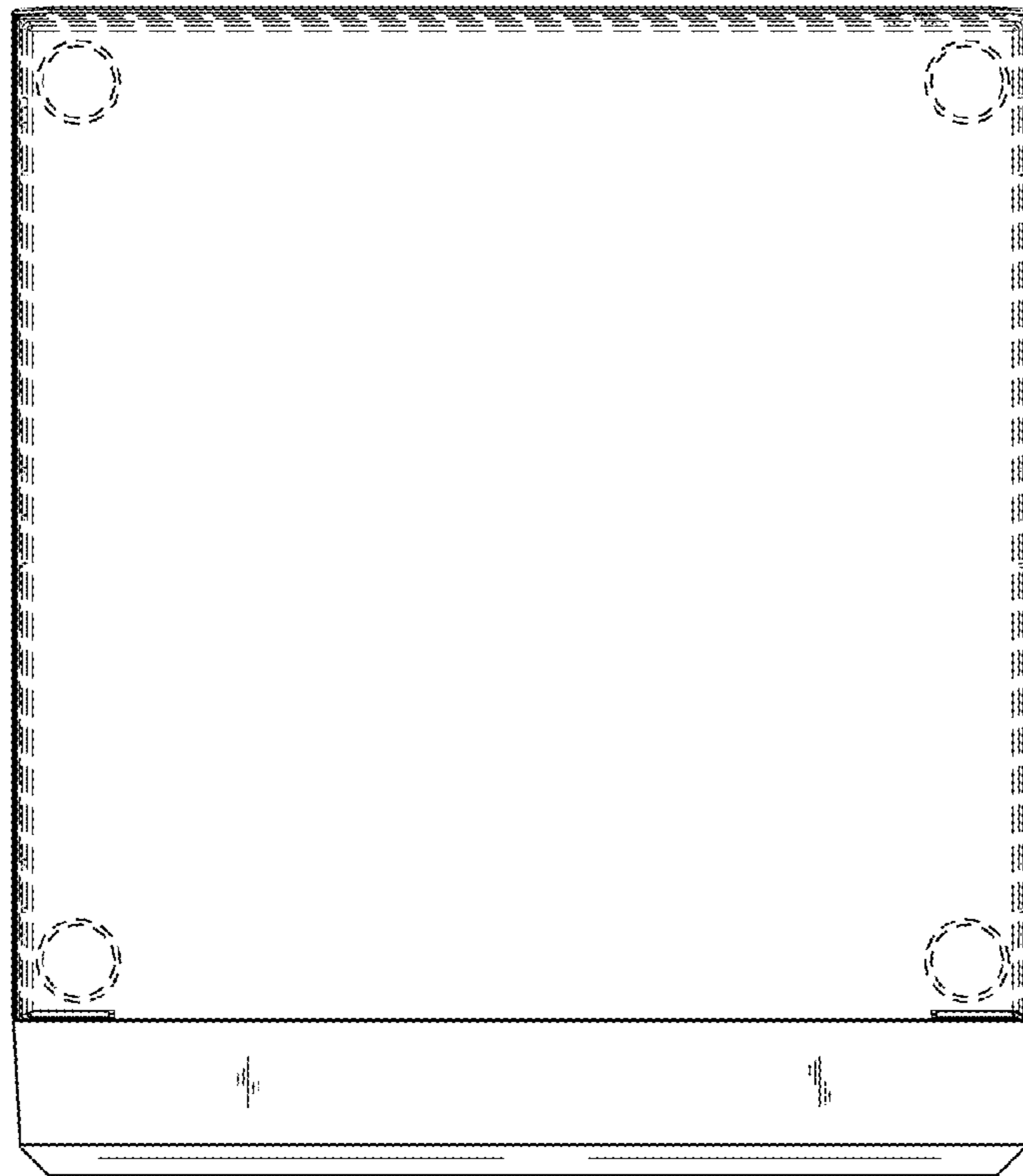


FIG. 6



*FIG. 7*