



US00D745068S

(12) **United States Design Patent**
Jeon et al.

(10) **Patent No.:** **US D745,068 S**
(45) **Date of Patent:** **** Dec. 8, 2015**

(54) **DRAWER FOR REFRIGERATOR**

F25D 23/12; F25D 29/005; F25D 17/042;
F25D 2325/021

(71) Applicant: **Samsung Electronics Co., Ltd.**,
Suwon-si, Gyeonggi-do (KR)

See application file for complete search history.

(72) Inventors: **Sang-Woon Jeon**, Namyangju-si (KR);
Min-Hyuk Bu, Seoul (KR);
Jong-Hyub Lee, Seoul (KR); **Hyun-II Lee**, Seoul (KR); **Se-Youn Park**, Seoul (KR); **Jun-Kyo Lee**, Daegu (KR)

(56) **References Cited**

U.S. PATENT DOCUMENTS

D669,506	S	*	10/2012	Czach et al.	D15/89
D709,928	S	*	7/2014	Park et al.	D15/89
D710,404	S	*	8/2014	Park et al.	D15/89
D710,406	S	*	8/2014	Seo et al.	D15/89
D714,840	S	*	10/2014	Yang et al.	D15/89

(73) Assignee: **SAMSUNG ELECTRONICS CO., LTD.** (KR)

* cited by examiner

(**) Term: **14 Years**

Primary Examiner — Ian Simmons

Assistant Examiner — Khawaja Anwar

(21) Appl. No.: **29/496,920**

(74) *Attorney, Agent, or Firm* — Cantor Colburn LLP

(22) Filed: **Jul. 18, 2014**

(57) **CLAIM**

The ornamental design for a drawer for refrigerator, as shown and described.

(30) **Foreign Application Priority Data**

DESCRIPTION

Jan. 21, 2014 (KR) 30-2014-0003262

(51) **LOC (10) Cl.** **15-07**

(52) **U.S. Cl.**
USPC **D15/89**

(58) **Field of Classification Search**
USPC D15/79-91
CPC F25D 23/028; F25D 23/02; F25D 25/025;
F25D 23/00; F25D 2323/021; F25D 11/00;
F25D 2323/024; F25D 23/04; F25D 29/00;
F25D 25/02; F25D 25/024; F25D 27/005;

FIG. 1 is a perspective view of a drawer for refrigerator, showing our new design;
FIG. 2 is a front view thereof;
FIG. 3 is a rear view thereof;
FIG. 4 is a side view thereof;
FIG. 5 is a another side view thereof;
FIG. 6 is a top view thereof; and,
FIG. 7 is a bottom view thereof.
The broken lines are for environmental purpose only and form no part of the claimed design.

1 Claim, 5 Drawing Sheets

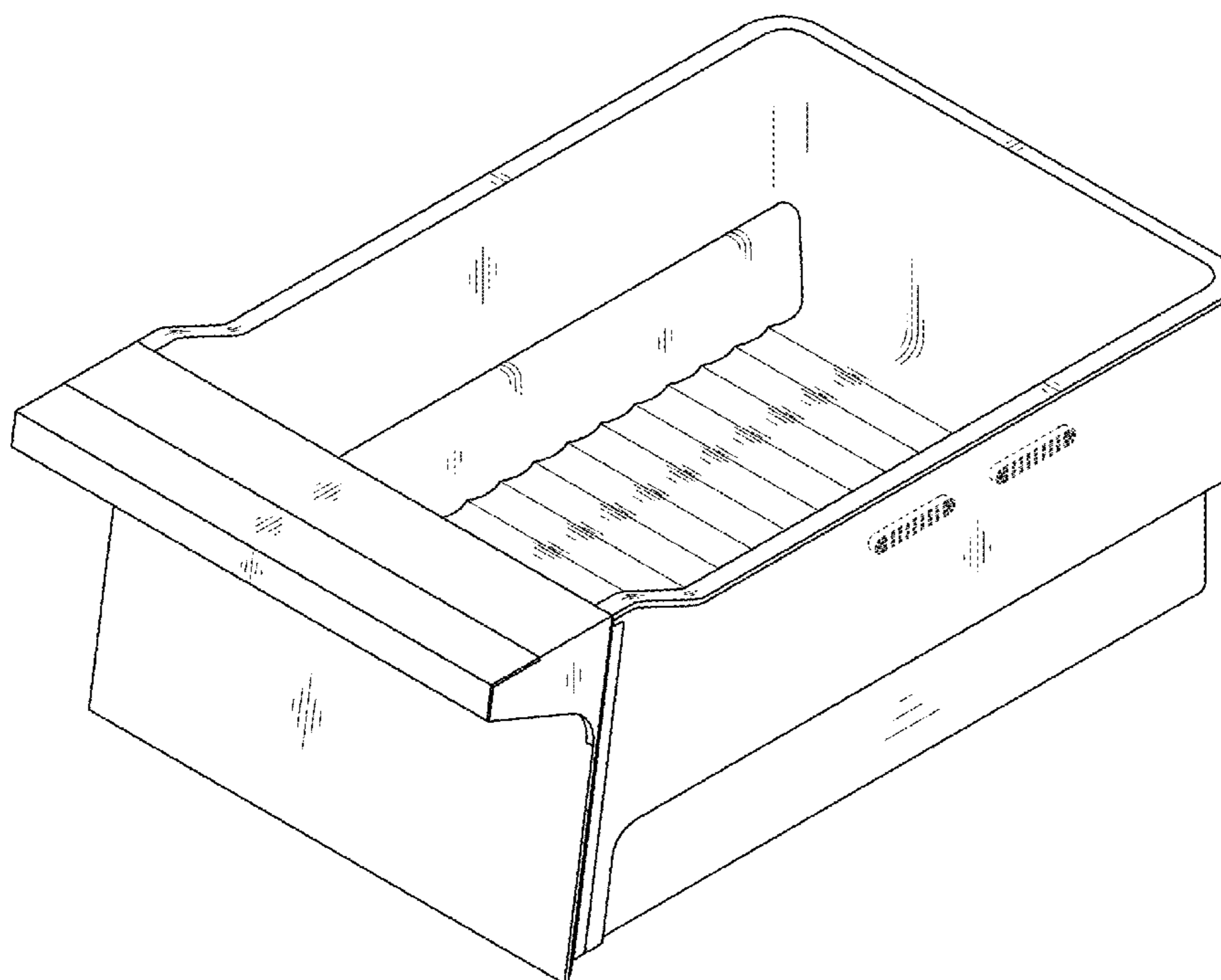


FIG. 1

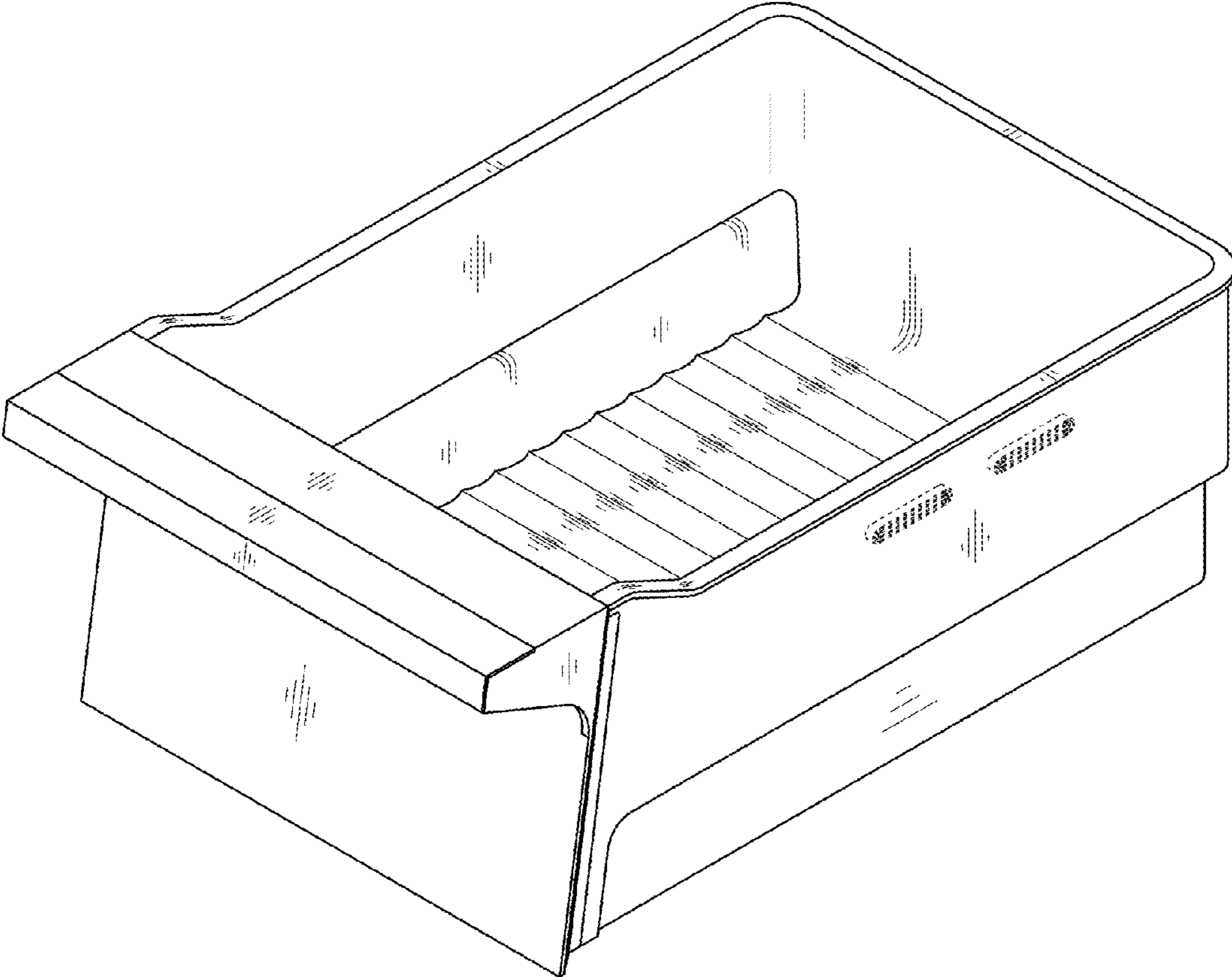


FIG. 2

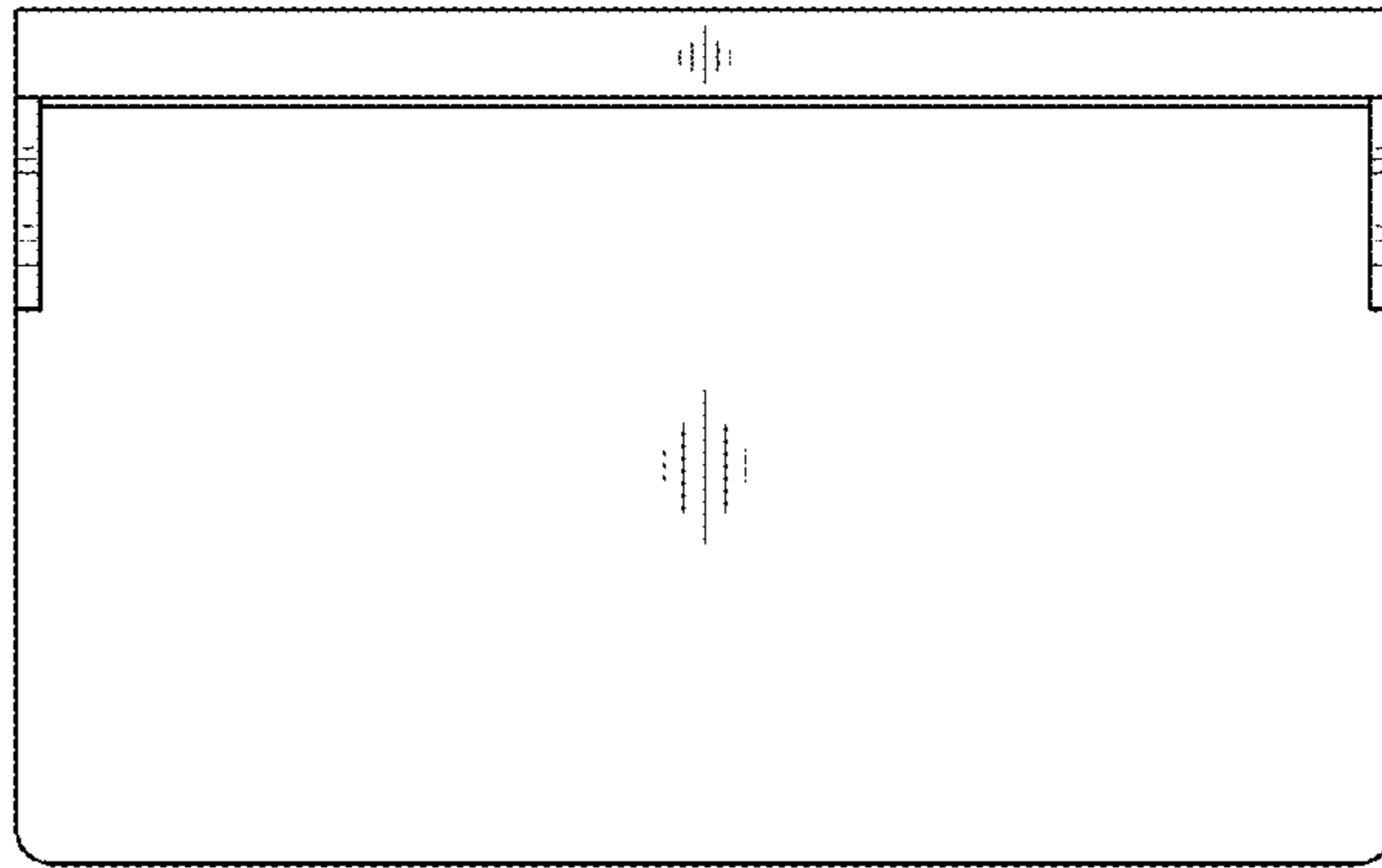


FIG. 3

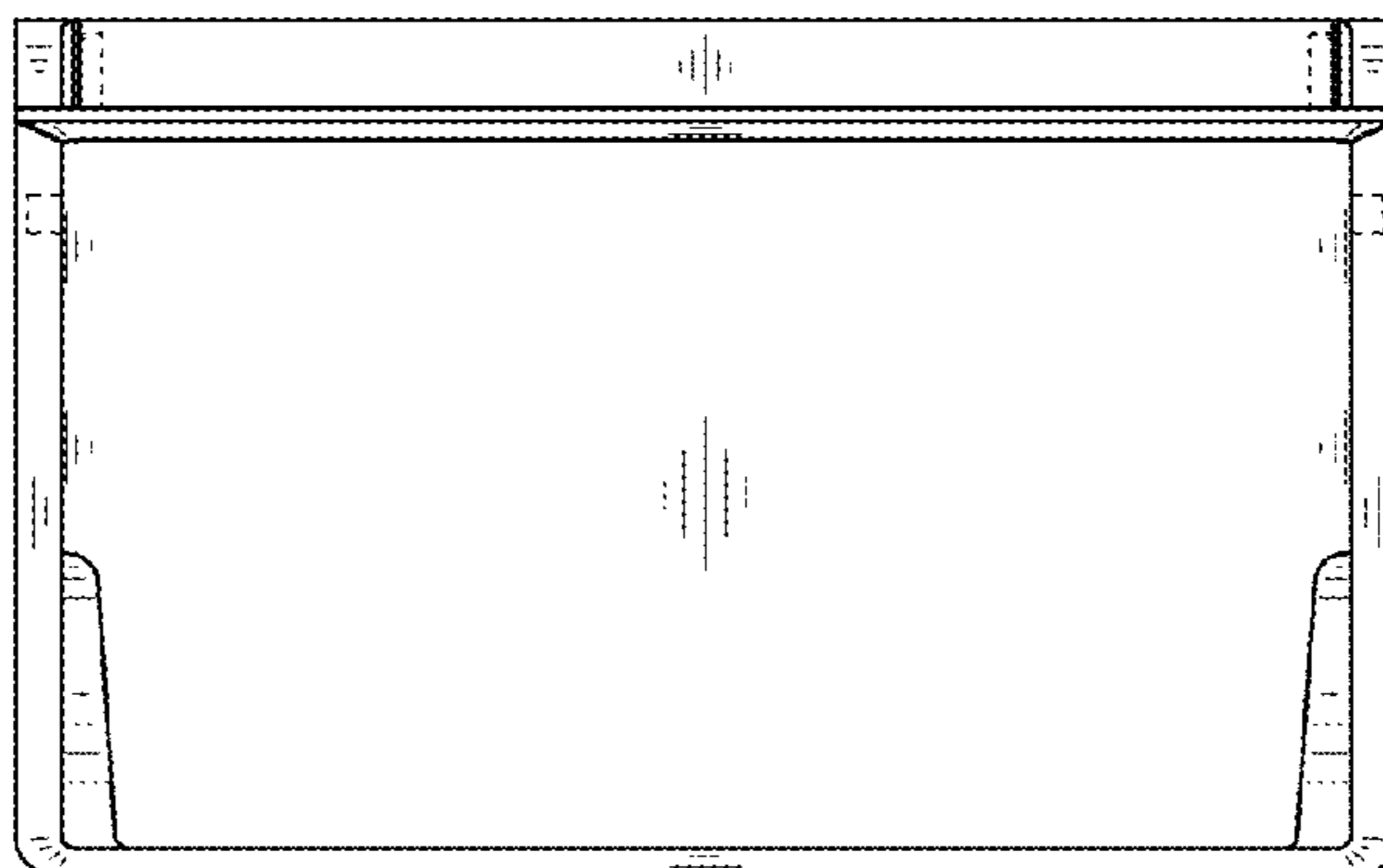


FIG. 4

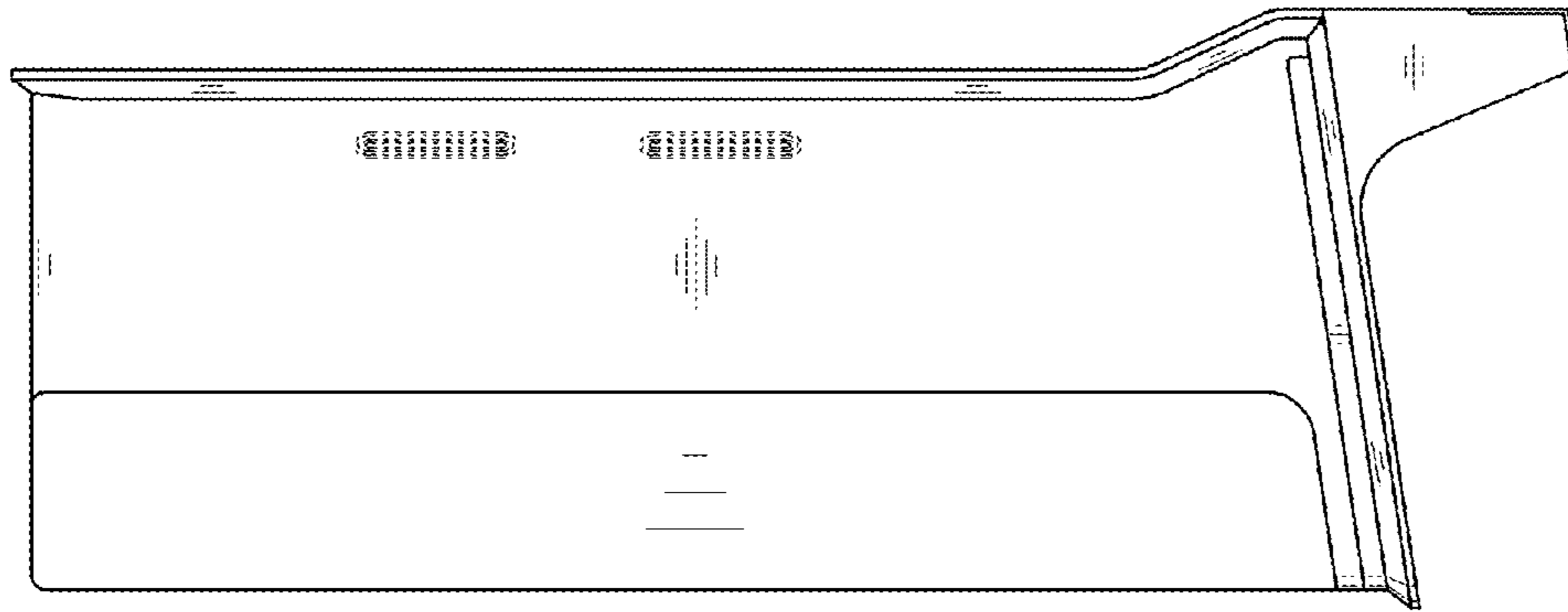


FIG. 5

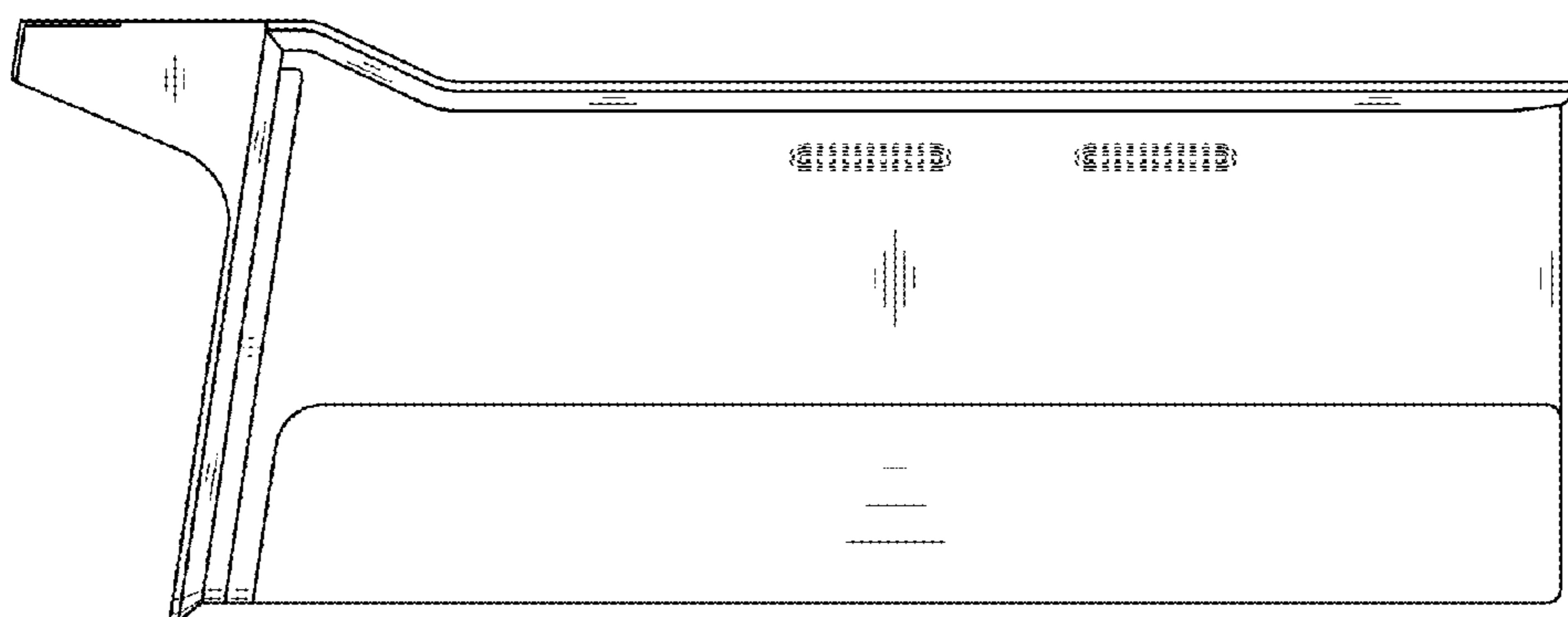


FIG. 6

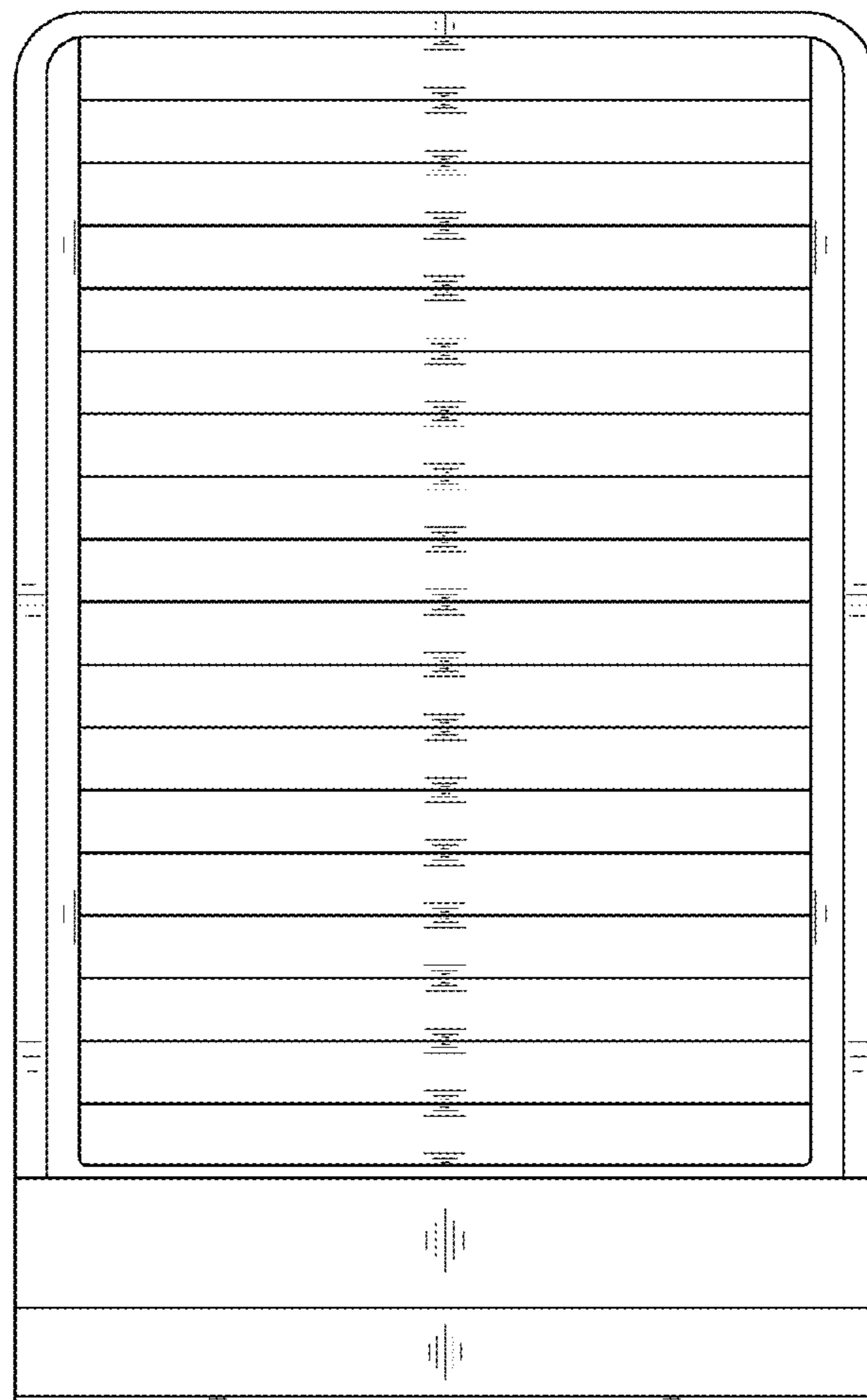


FIG. 7

