



US00D745065S

(12) **United States Design Patent**  
**Losen et al.**

(10) **Patent No.:** **US D745,065 S**  
(45) **Date of Patent:** **\*\* Dec. 8, 2015**

(54) **SCRAPER BAR WITH EDGE FOR A MILLING MACHINE**

(71) Applicant: **BOMAG GmbH**, Boppard (DE)

(72) Inventors: **Fabian Losen**, Bell (DE); **Markus Schaefer**, Braubach (DE); **Steffen Wachsmann**, Koblenz (DE)

(73) Assignee: **BOMAG GmbH**, Boppard (DE)

(\*\*) Term: **14 Years**

(21) Appl. No.: **29/512,157**

(22) Filed: **Dec. 17, 2014**

(30) **Foreign Application Priority Data**

Jul. 3, 2014 (EM) ..... 002495283-0014

(51) **LOC (10) Cl.** ..... **15-09**

(52) **U.S. Cl.**  
USPC ..... **D15/32**

(58) **Field of Classification Search**  
USPC ..... D15/124-144, 11, 19, 28-32;  
D8/16-20; 409/137, 139-140;  
D32/46-49; 299/39.2  
CPC ..... E01C 23/088  
See application file for complete search history.

(56) **References Cited**

**U.S. PATENT DOCUMENTS**

D260,772 S \* 9/1981 Johnson ..... D15/29  
D274,526 S \* 7/1984 Watts ..... D15/126  
D299,348 S \* 1/1989 Nja ..... D15/11

D388,572 S \* 12/1997 Gold ..... D32/46  
D406,153 S \* 2/1999 Holzer ..... D15/32  
6,182,324 B1 \* 2/2001 Pagliuzza ..... A63B 57/0087  
D32/48  
D531,649 S \* 11/2006 Sollami ..... D15/139  
D624,940 S \* 10/2010 Buhr ..... D15/21  
D636,646 S \* 4/2011 Muccino ..... D8/20  
D695,580 S \* 12/2013 Hirai ..... D8/20  
D699,764 S \* 2/2014 Loew ..... D15/20  
2007/0177951 A1 \* 8/2007 Sakamoto ..... B23C 5/109  
407/40  
2015/0054332 A1 \* 2/2015 Latham ..... E01C 23/088  
299/39.8

\* cited by examiner

*Primary Examiner* — Susan Bennett Hattan

*Assistant Examiner* — Brett Miller

(74) *Attorney, Agent, or Firm* — Wood, Herron & Evans, LLP

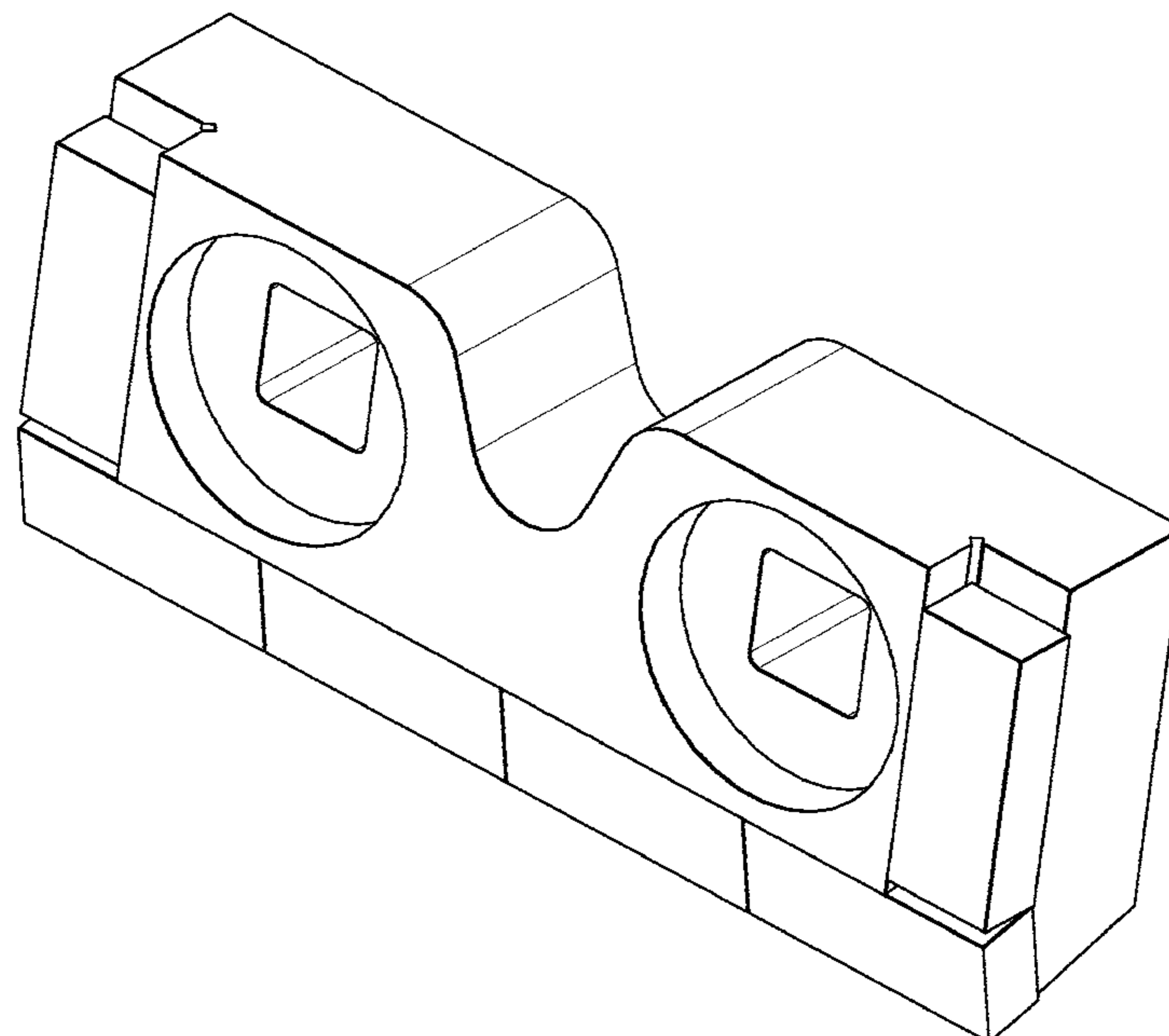
(57) **CLAIM**

The ornamental design for a scraper bar with edge for a milling machine, as shown and described.

**DESCRIPTION**

FIG. 1 is a front isometric view of my new scraper bar with edge for a milling machine design;  
FIG. 2 is a rear isometric view thereof;  
FIG. 3 is a front elevational view thereof;  
FIG. 4 is a rear elevational view thereof;  
FIG. 5 is a right side elevational view thereof;  
FIG. 6 is a left side elevational view thereof;  
FIG. 7 is a top plan view thereof; and,  
FIG. 8 is a bottom plan view thereof.

**1 Claim, 8 Drawing Sheets**



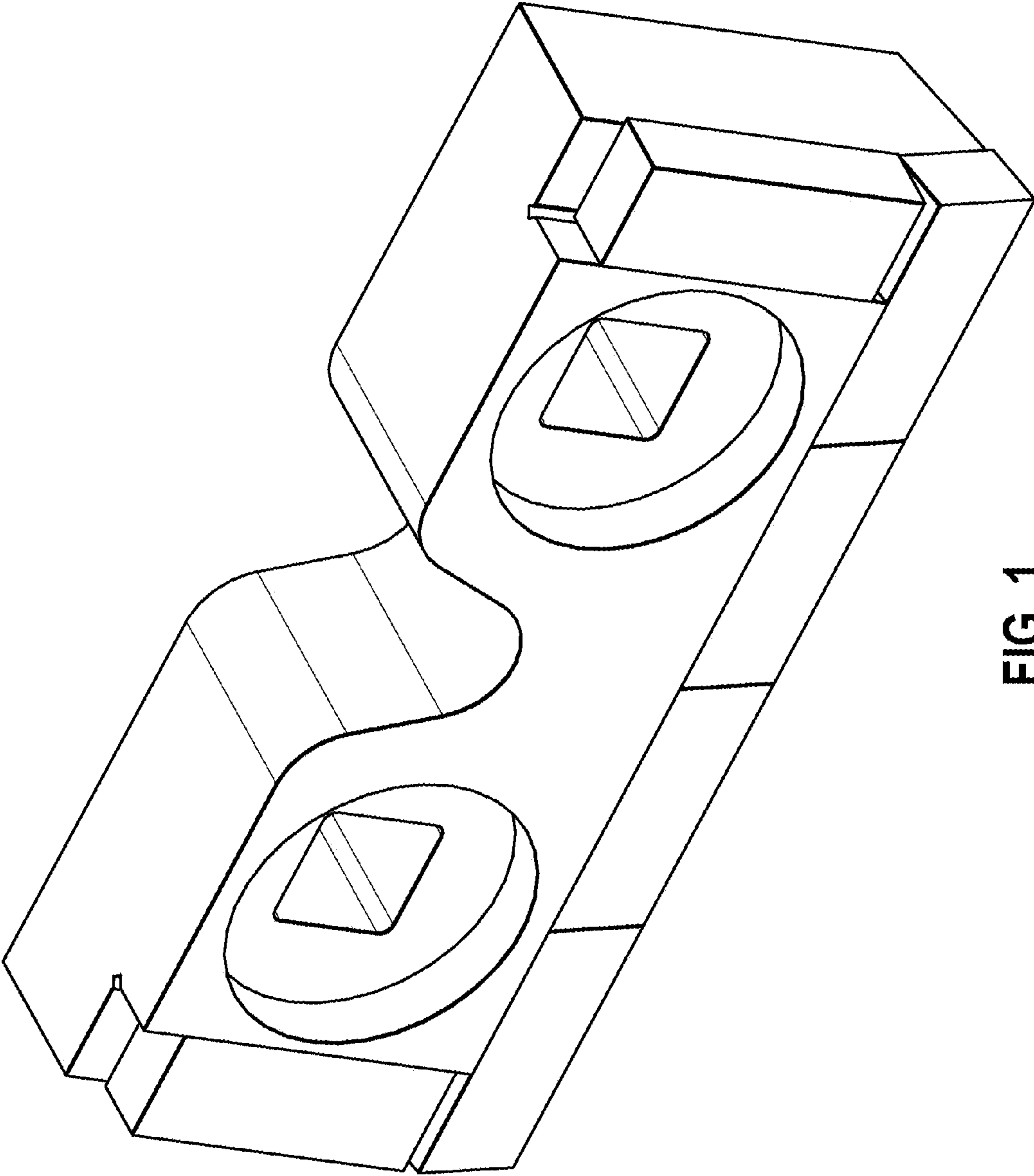


FIG. 1

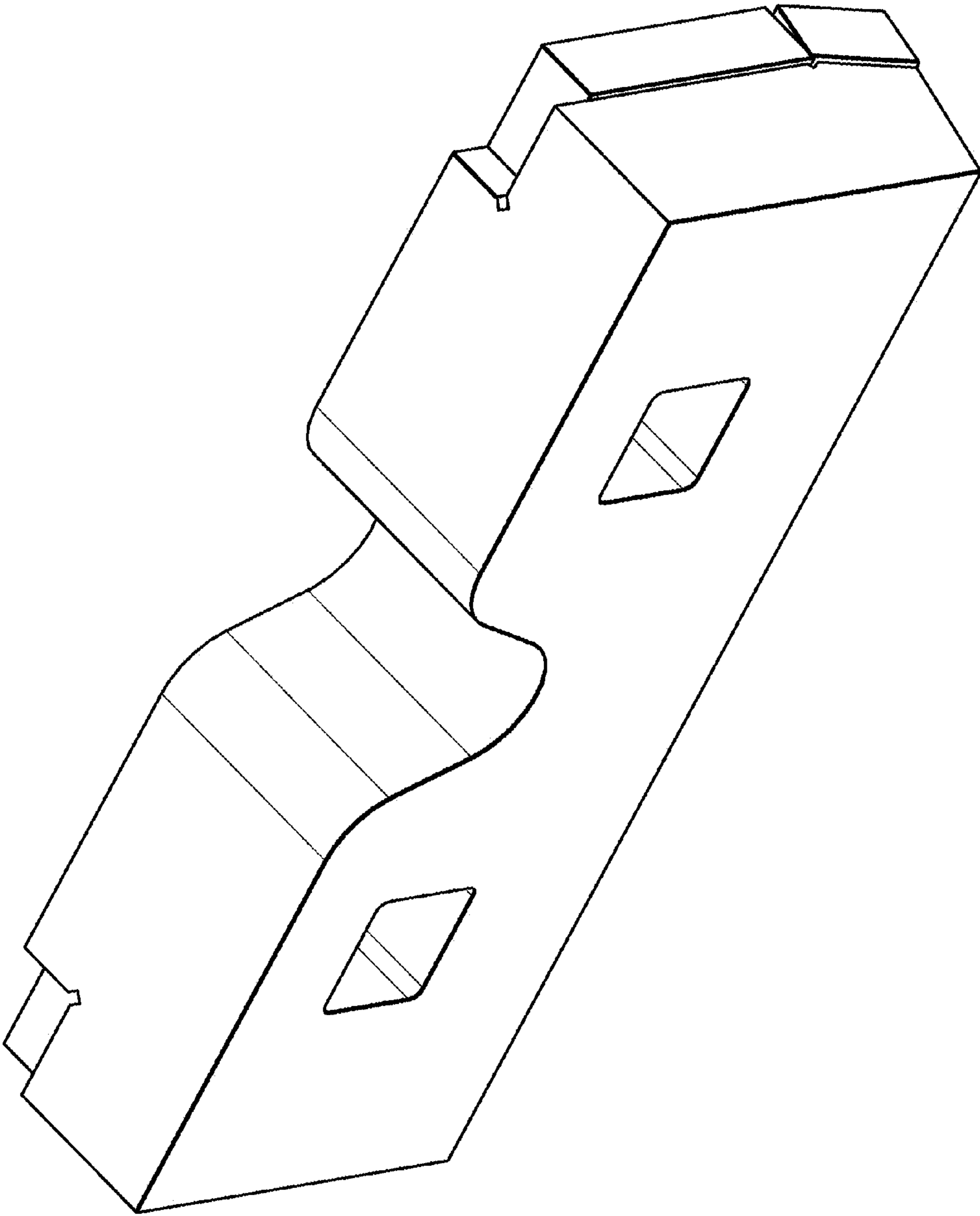


FIG. 2

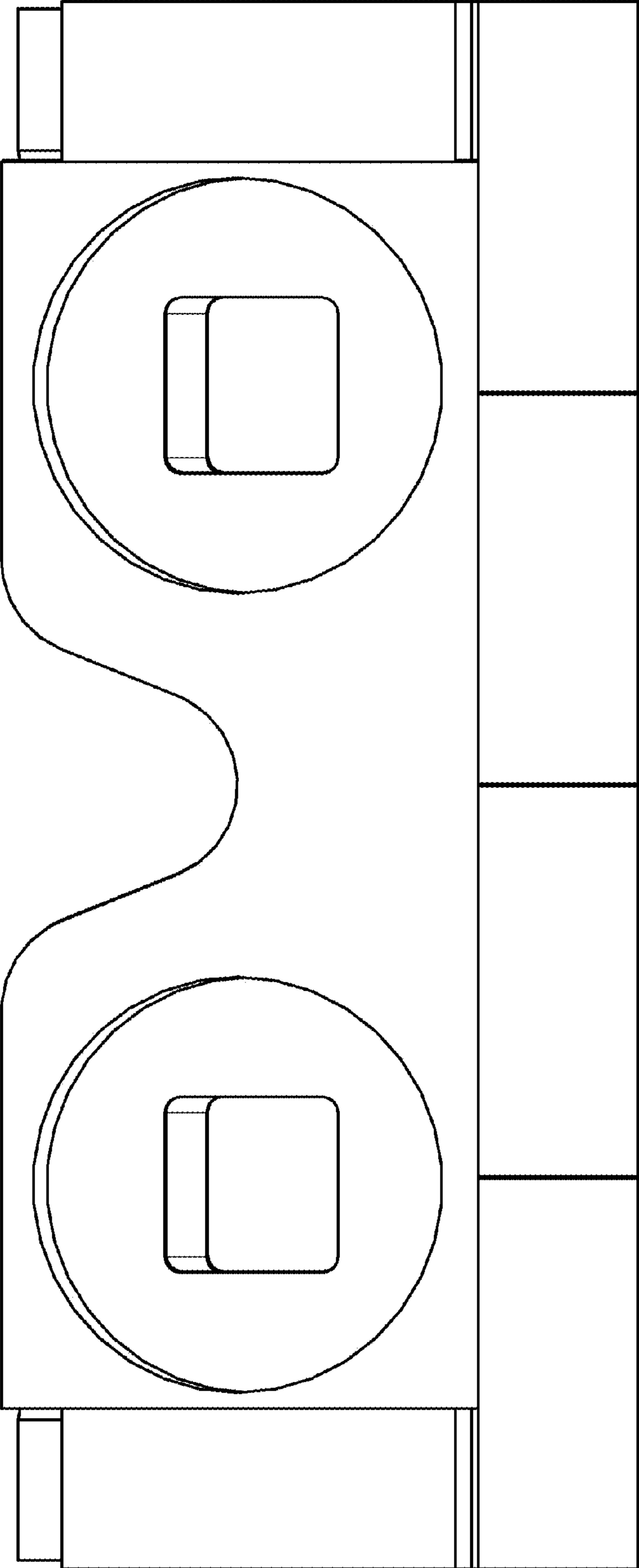


FIG. 3

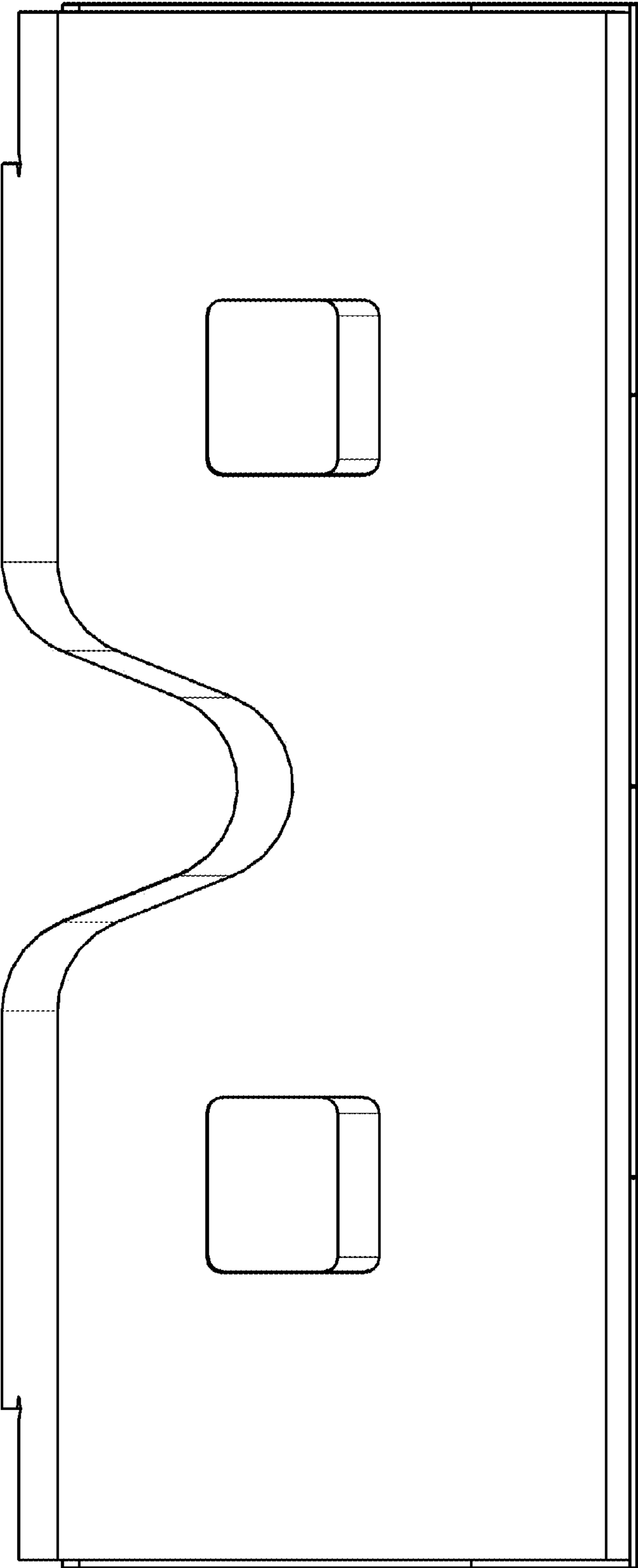


FIG. 4

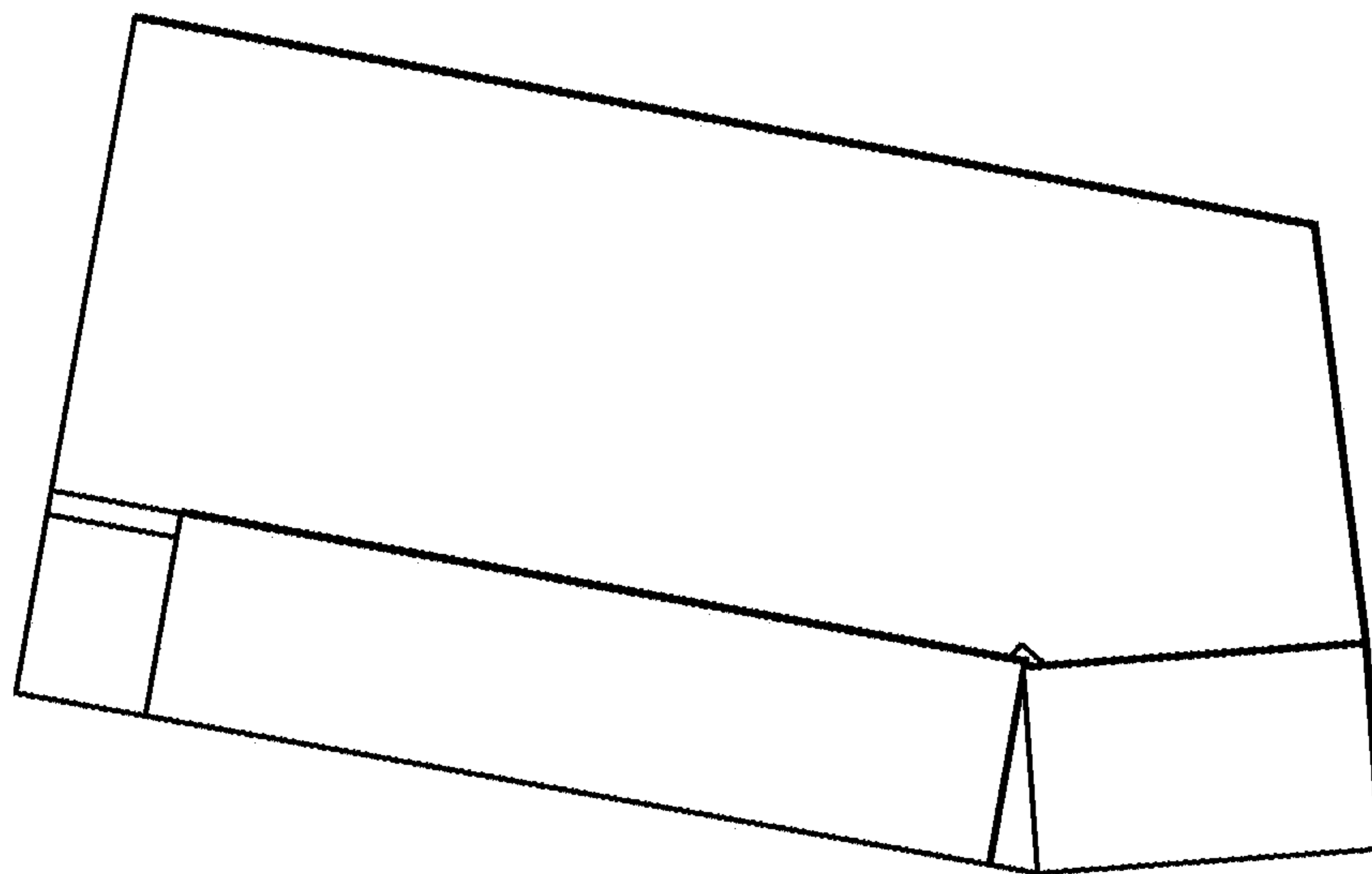


FIG. 5

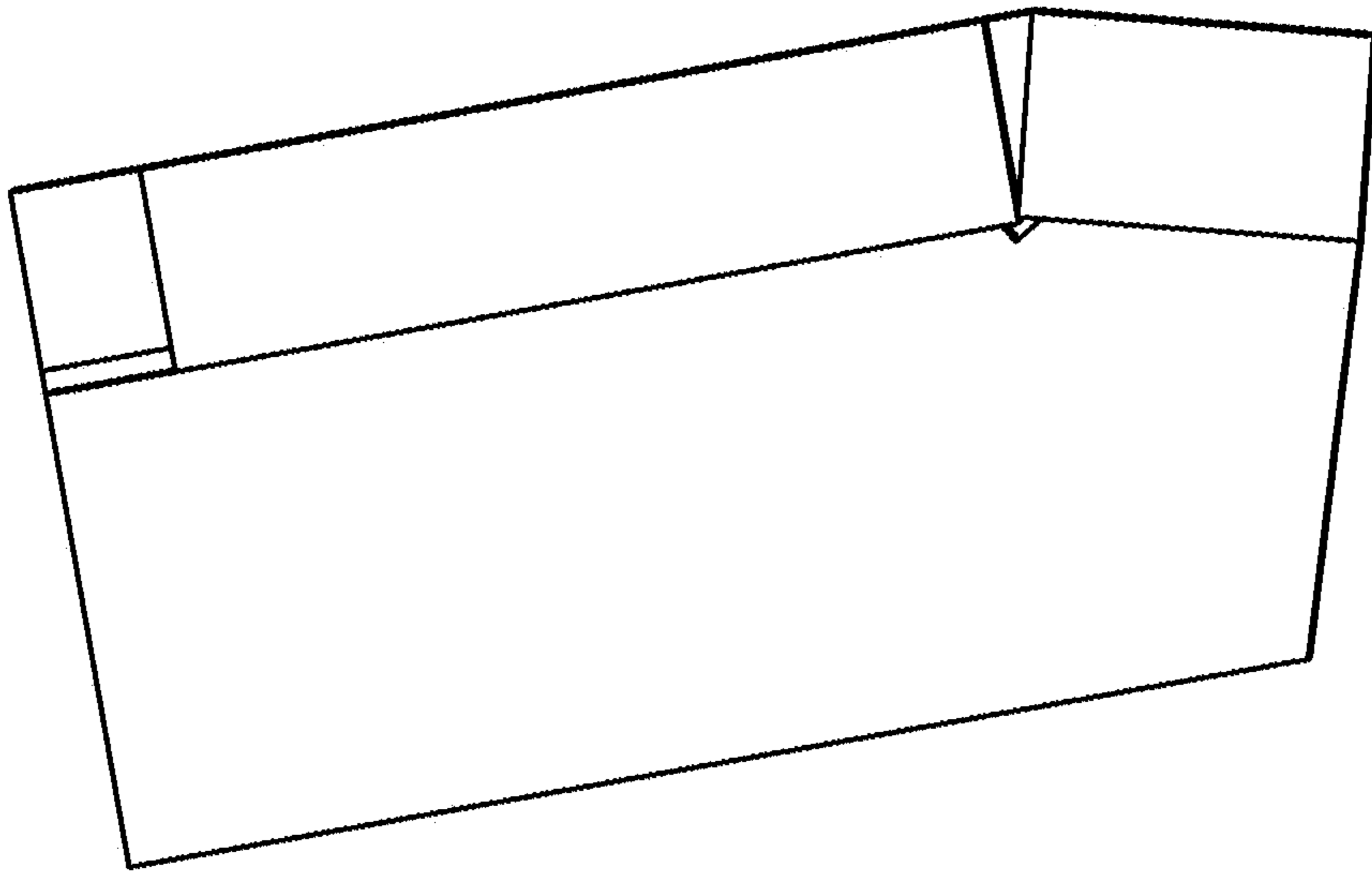


FIG. 6

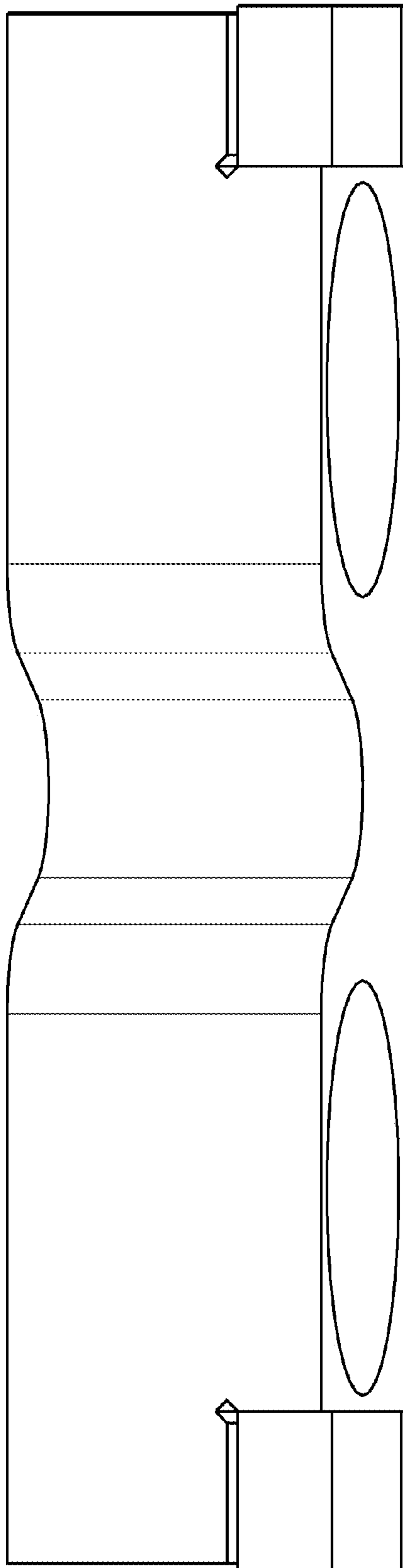


FIG. 7



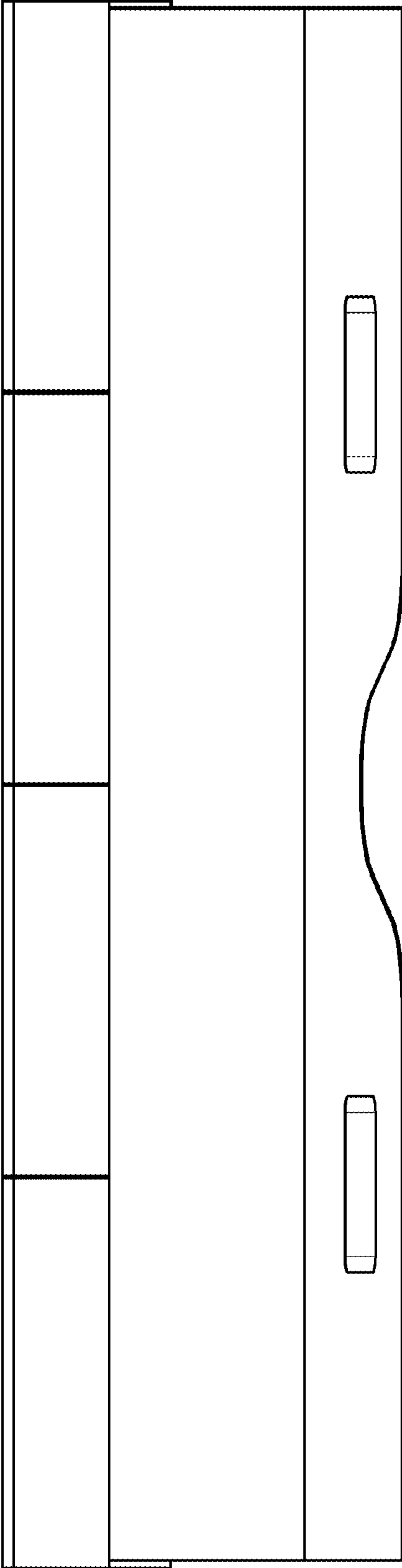


FIG. 8