



US00D745063S

(12) **United States Design Patent**
Loew et al.

(10) **Patent No.:** **US D745,063 S**
(45) **Date of Patent:** **** Dec. 8, 2015**

- (54) **TANDEM ROLLER**
- (71) Applicant: **BOMAG GmbH**, Boppard (DE)
- (72) Inventors: **Roland Loew**, Klein-Winternheim (DE);
Christian Berg, Voelkenroth (DE)
- (73) Assignee: **BOMAG GmbH**, Boppard (DE)
- (**) Term: **14 Years**
- (21) Appl. No.: **29/512,162**
- (22) Filed: **Dec. 17, 2014**

D668,694 S *	10/2012	Tezuka	D15/31
D694,278 S *	11/2013	Ewringmann	D15/20
D694,279 S *	11/2013	Ewringmann	D15/20
D699,764 S *	2/2014	Loew	D15/20
D720,779 S *	1/2015	Loew	D15/20
D728,629 S *	5/2015	Loew	D15/20
2004/0009039 A1 *	1/2004	Corcoran	E01C 19/286 404/117
2004/0028472 A1 *	2/2004	Richter	B06B 1/161 404/117
2012/0114416 A1 *	5/2012	Marsolek	E01C 19/286 404/75
2014/0119827 A1 *	5/2014	Haupt	E01C 19/38 404/75
2014/0161529 A1 *	6/2014	Darscheid	E01C 19/38 404/84.05

- (30) **Foreign Application Priority Data**
- Jul. 3, 2014 (EM) 002495283-0016
- (51) **LOC (10) Cl.** **15-03**
- (52) **U.S. Cl.**
- USPC **D15/20**; D15/22
- (58) **Field of Classification Search**
- USPC D15/10, 20, 22, 23; 180/20, 89.1,
180/89.12; 404/122, 125, 132, 117, 124
- CPC E02D 3/074; E02D 3/026; E01C 19/27;
E01C 19/41; E01C 19/22; E01C 19/38;
E01C 19/286; E01C 19/4853; E01C 19/238
- See application file for complete search history.

* cited by examiner

Primary Examiner — Mark Goodwin
(74) *Attorney, Agent, or Firm* — Wood, Herron & Evans, LLP

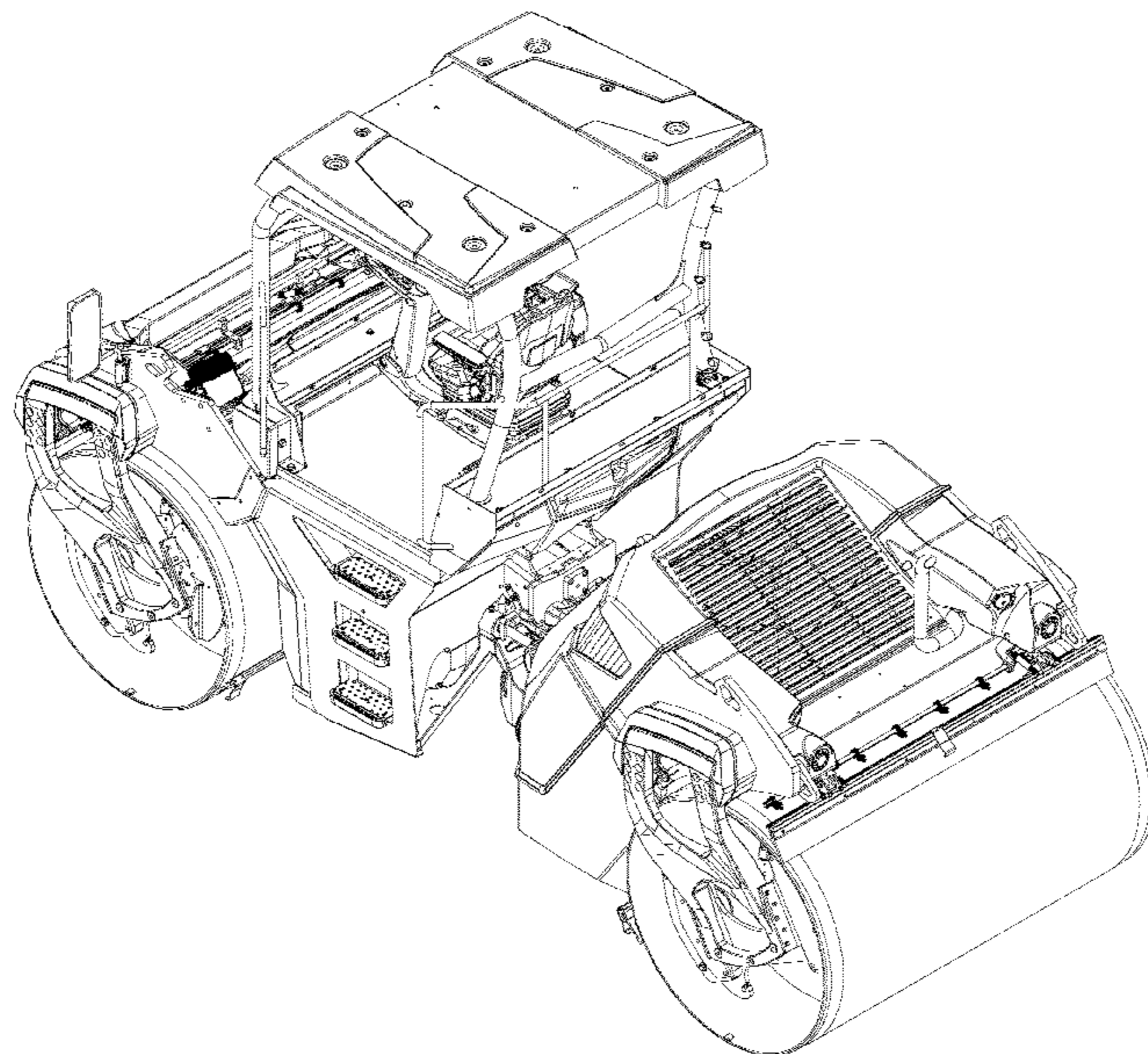
- (56) **References Cited**
- U.S. PATENT DOCUMENTS
- D611,505 S * 3/2010 Loew D15/20
- D611,506 S * 3/2010 Loew D15/20
- D657,396 S * 4/2012 Loew D15/20
- D657,397 S * 4/2012 Loew D15/20
- D657,400 S * 4/2012 Loew D15/20
- D668,269 S * 10/2012 Tezuka D15/20

(57) **CLAIM**
The ornamental design for a tandem roller, as shown and described.

DESCRIPTION

FIG. 1 is a front left isometric view of our new tandem roller design;
FIG. 2 is a front right isometric view thereof;
FIG. 3 is a rear left isometric view thereof;
FIG. 4 is a rear right isometric view thereof;
FIG. 5 is a right side elevational view thereof;
FIG. 6 is a left side elevational view thereof;
FIG. 7 is a front elevational view thereof;
FIG. 8 is a rear elevational view thereof; and,
FIG. 9 is a top plan view thereof.

1 Claim, 9 Drawing Sheets



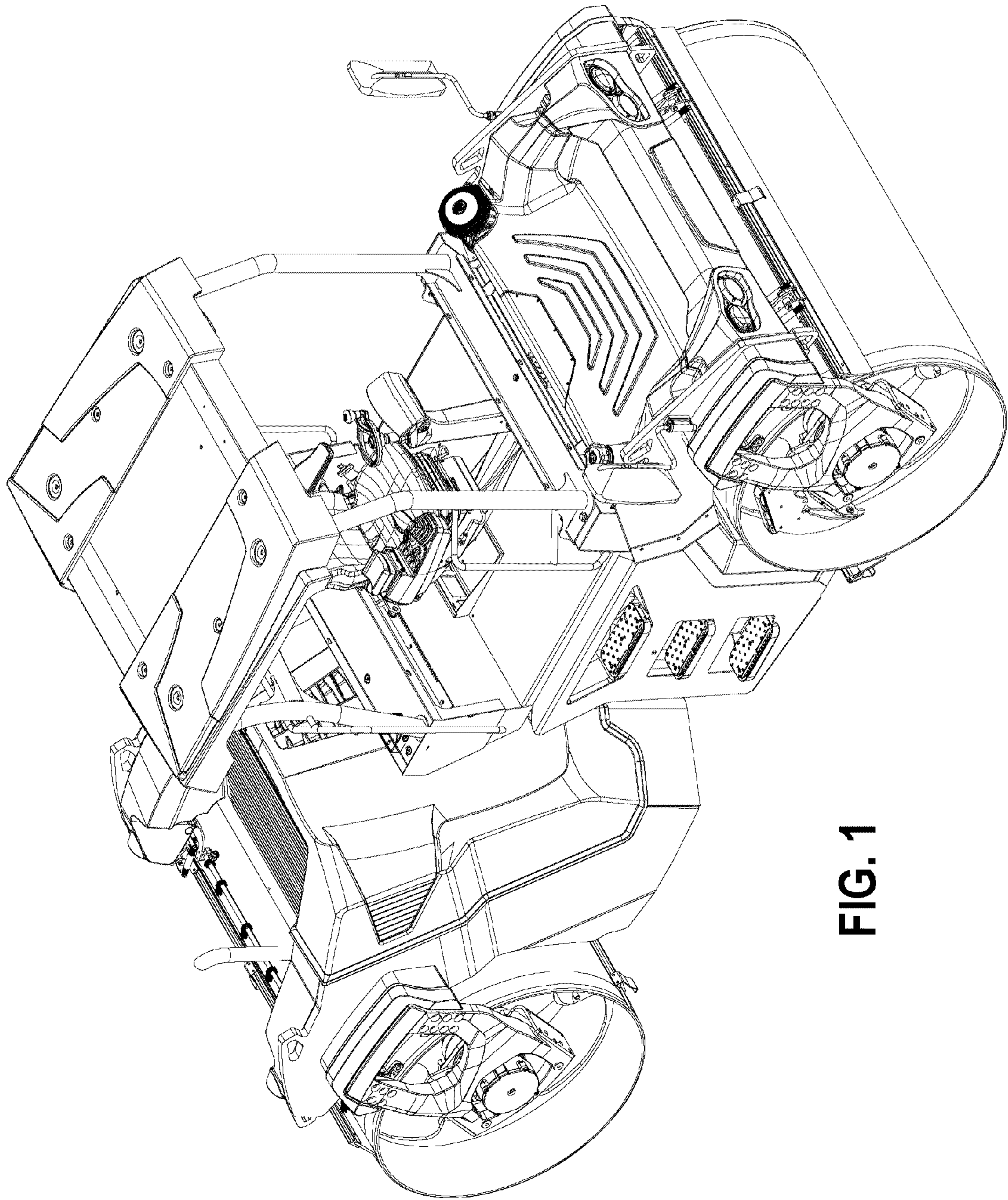


FIG. 1

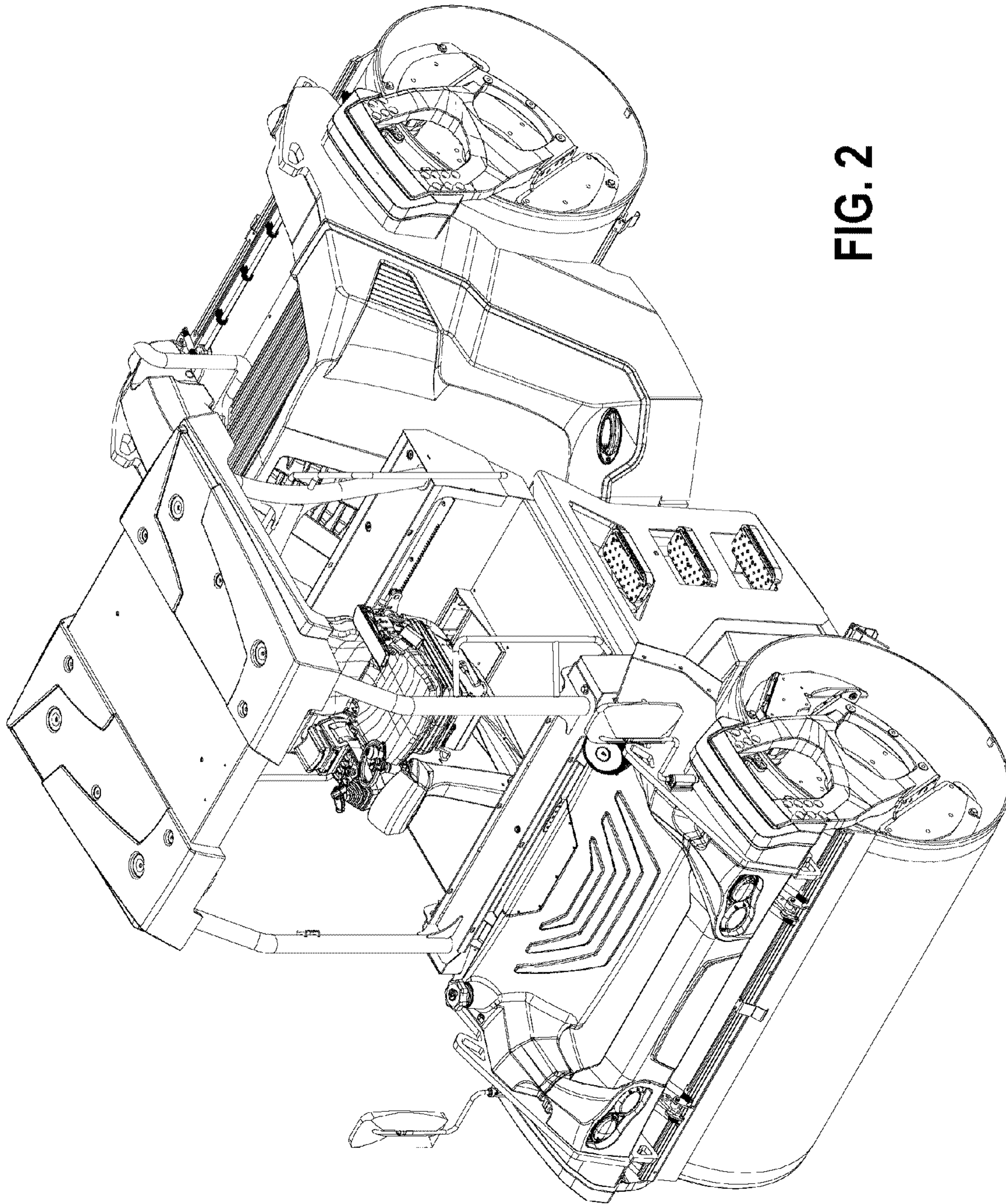


FIG. 2

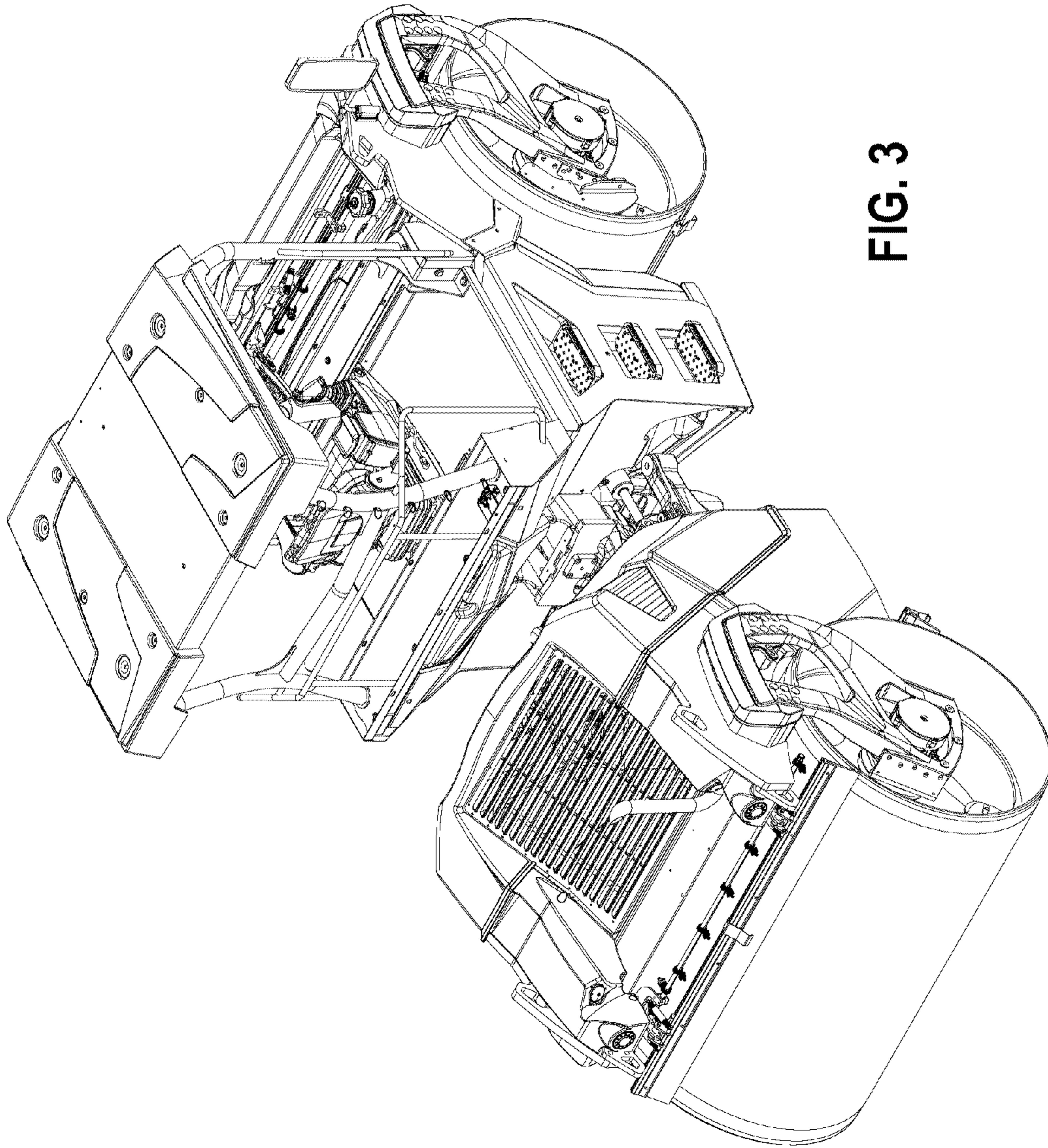


FIG. 3

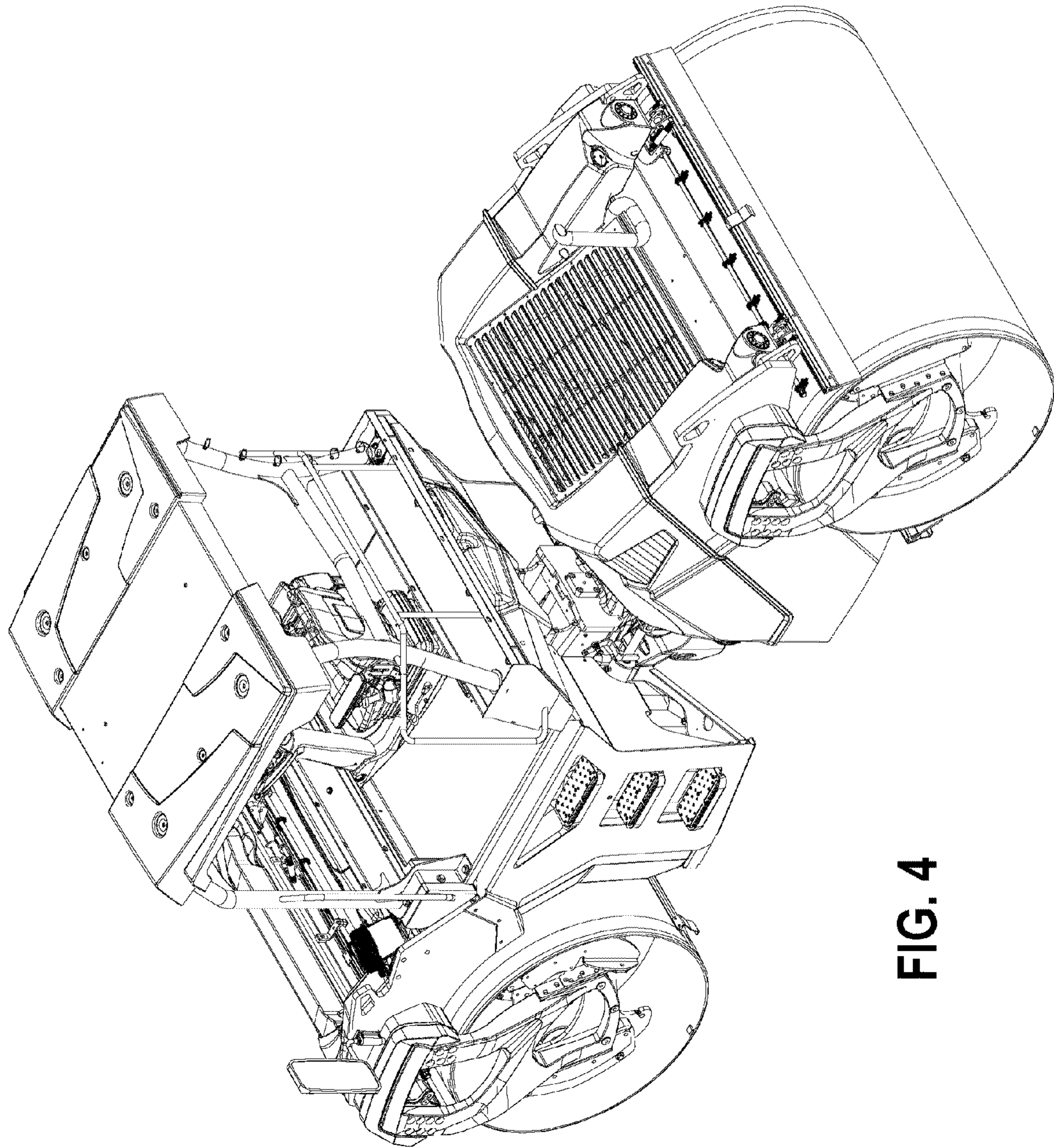


FIG. 4

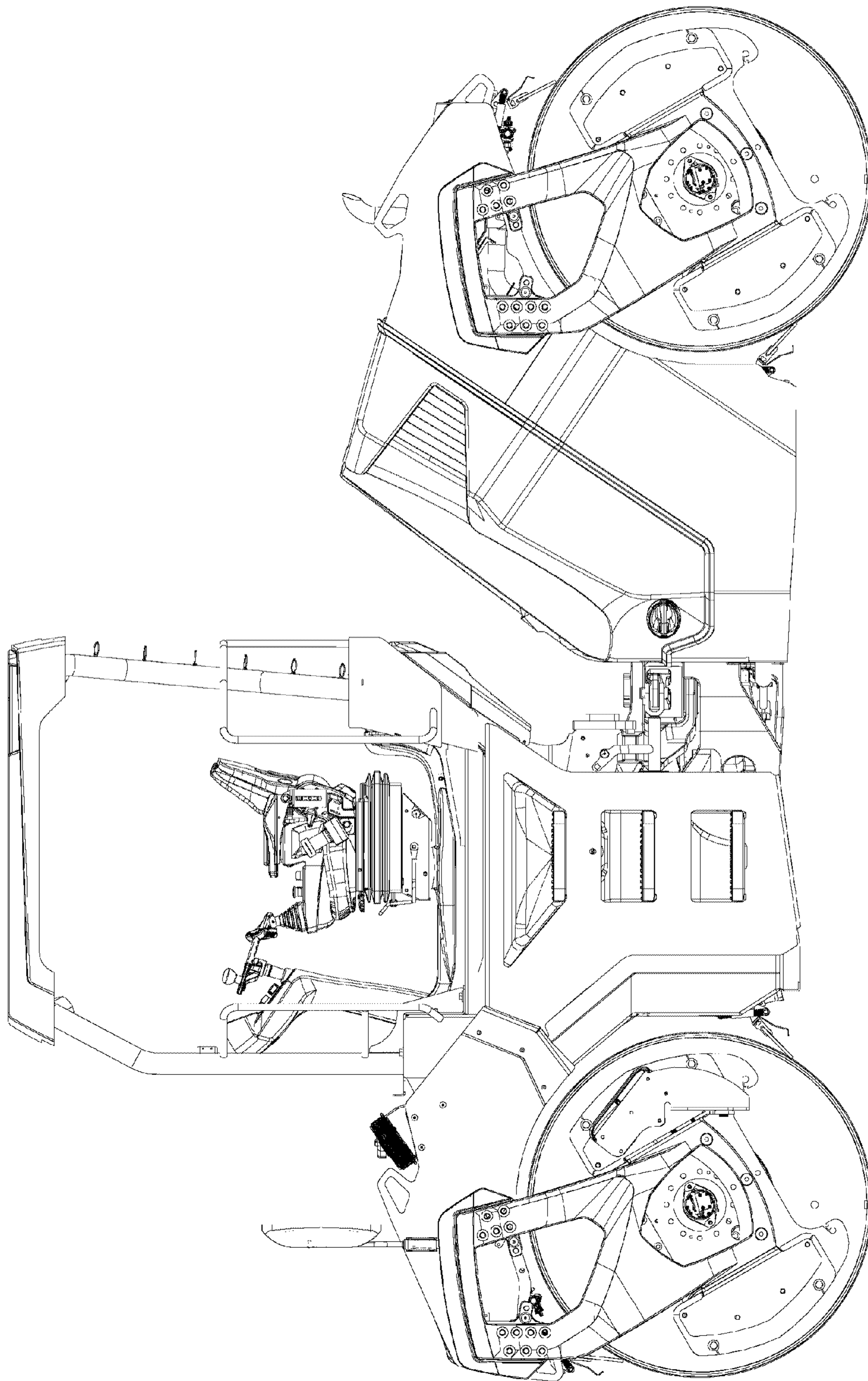


FIG. 5

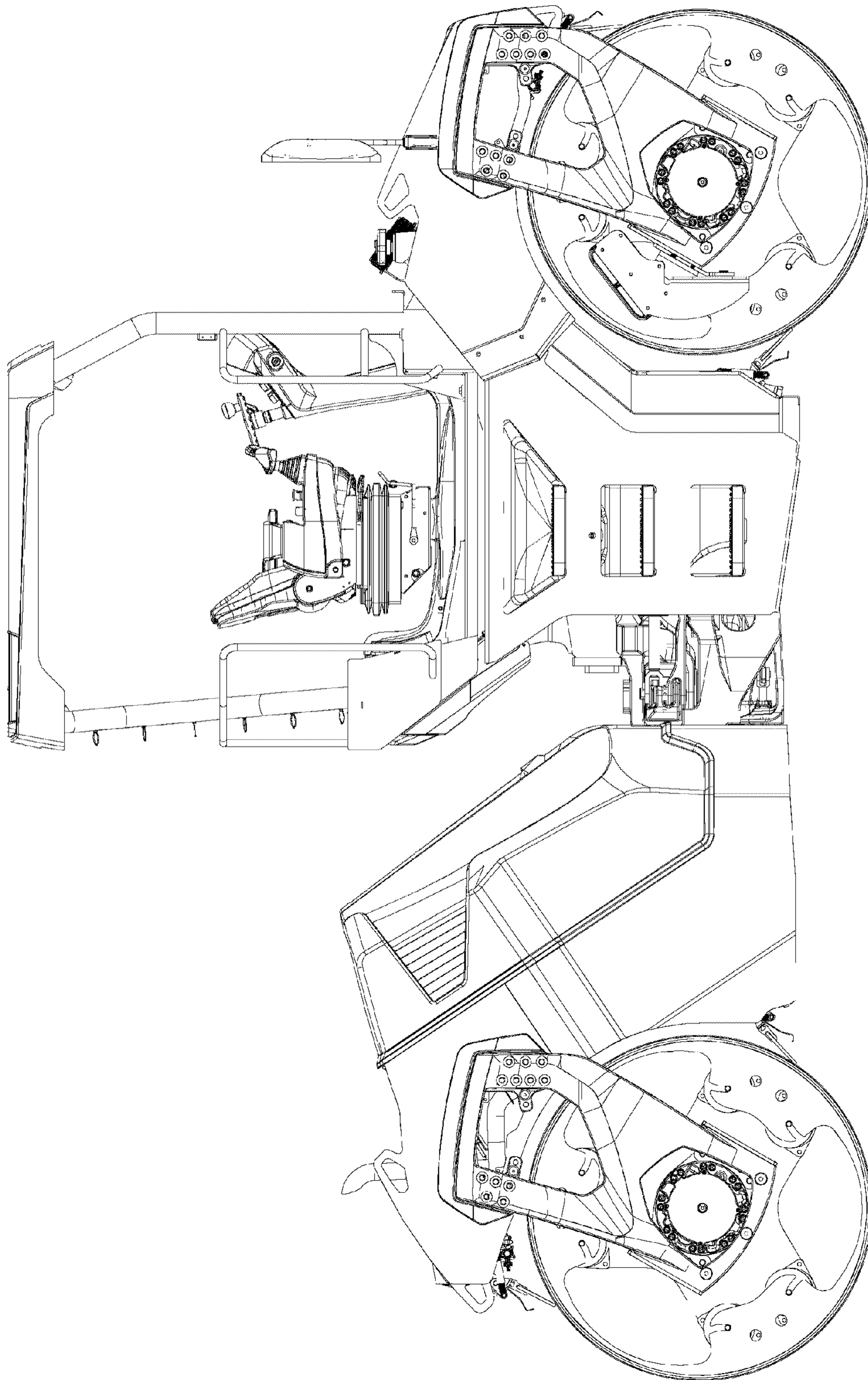


FIG. 6

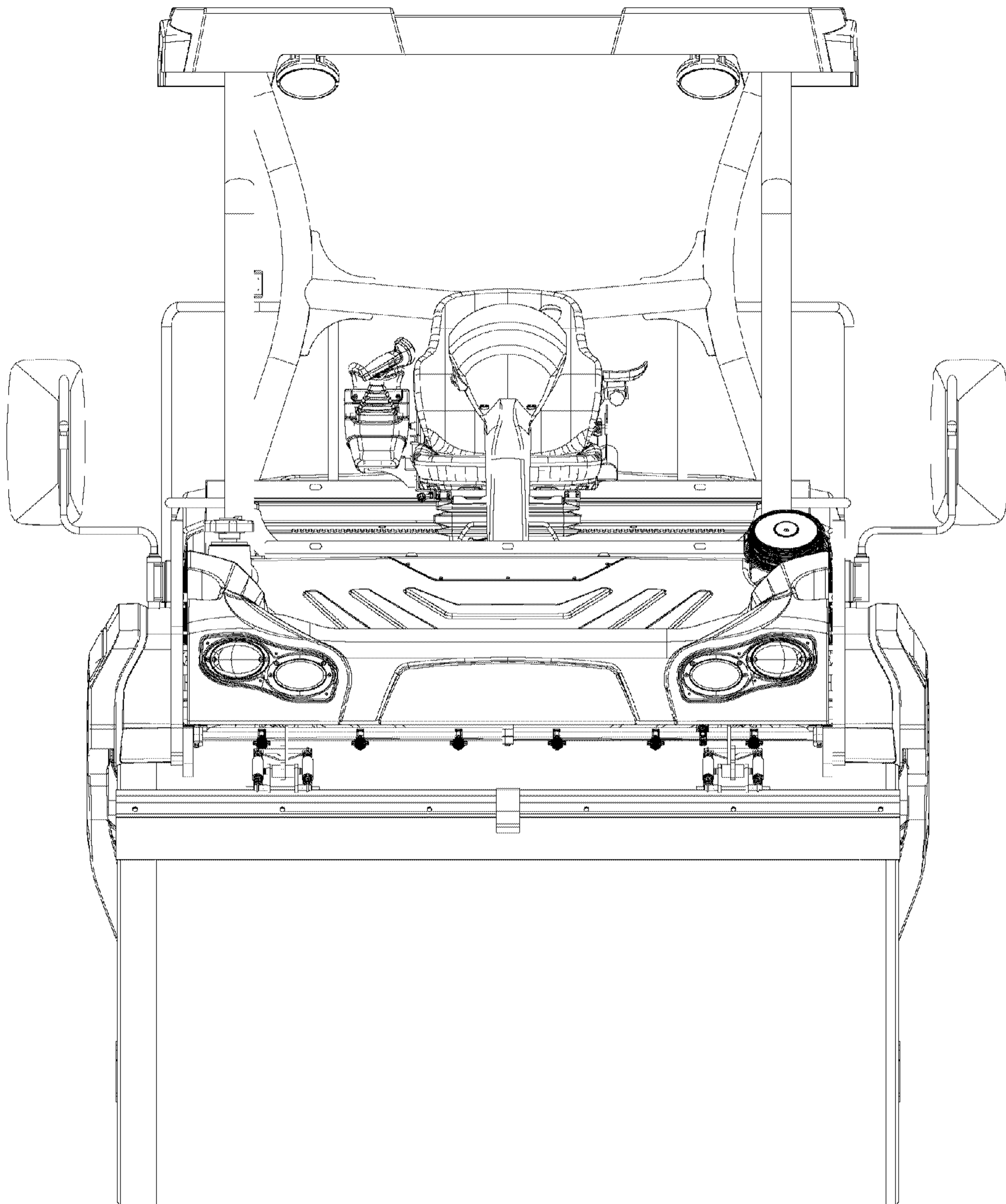


FIG. 7

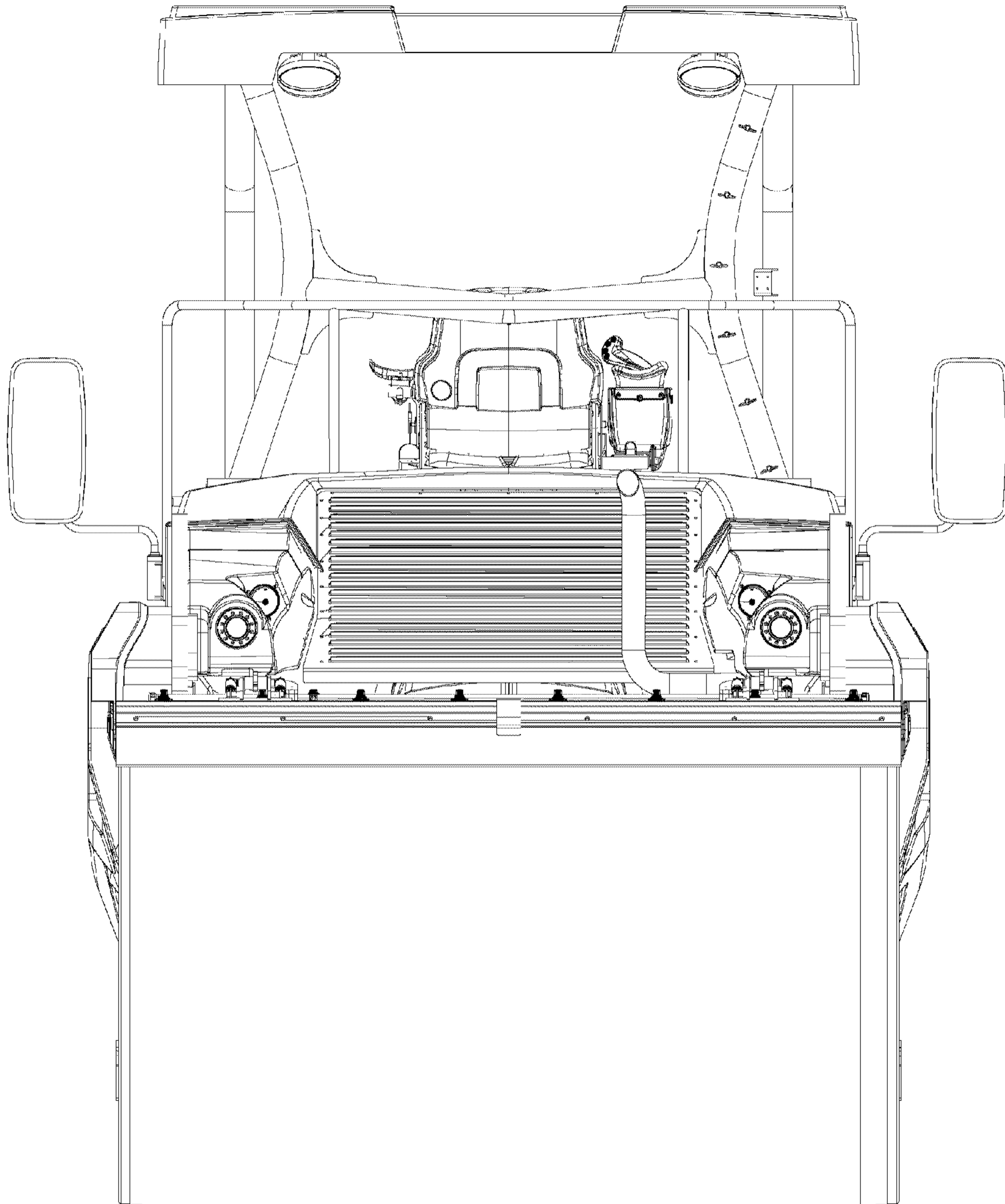


FIG. 8

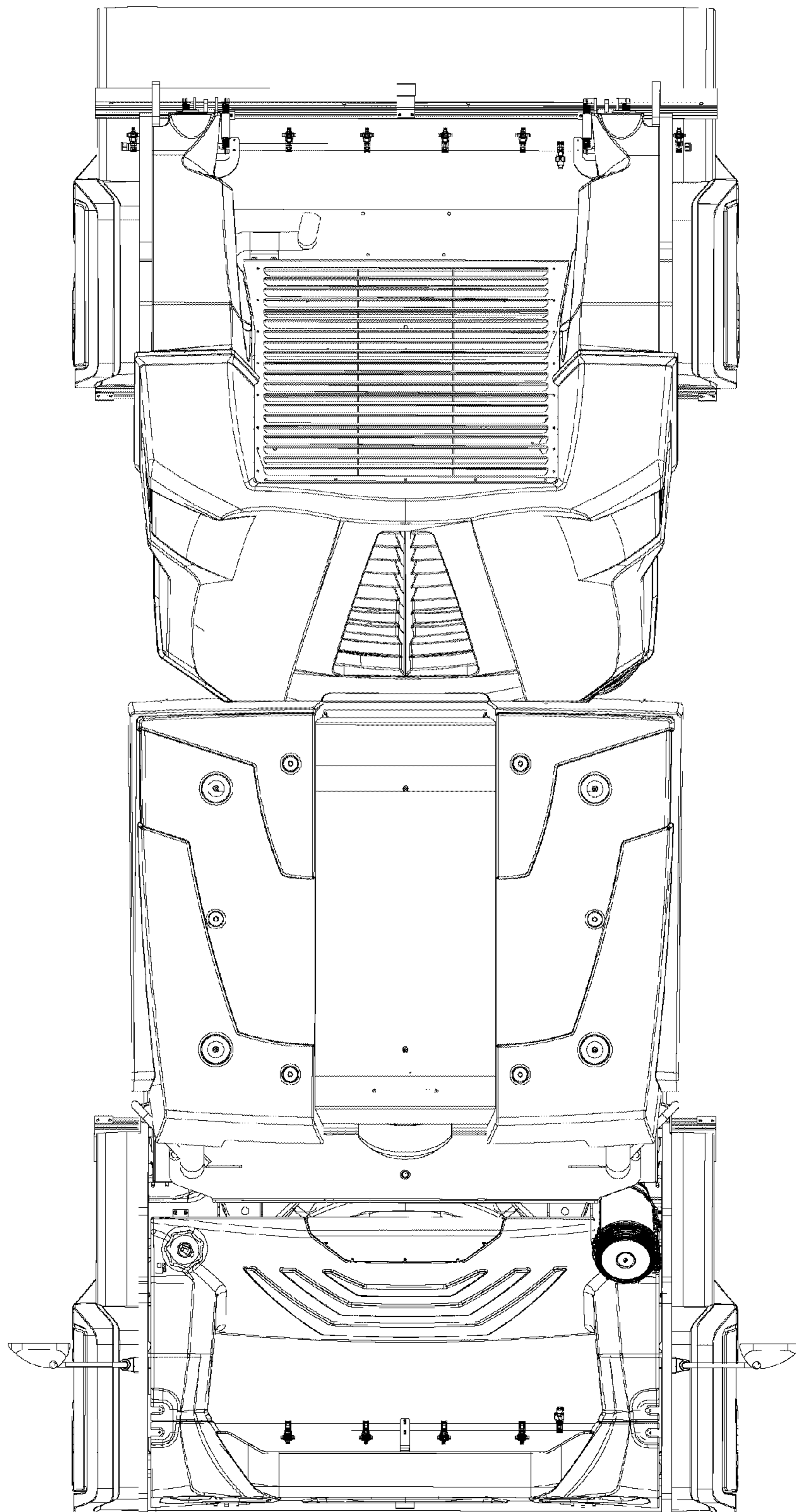


FIG. 9