



US00D745062S

(12) **United States Design Patent**  
**Ewringmann**

(10) **Patent No.:** **US D745,062 S**  
(45) **Date of Patent:** **\*\* Dec. 8, 2015**

- (54) **SCREED FOR A PAVING MACHINE**
- (71) Applicant: **Joseph Vogele AG**, Ludwigshafen/Rhein (DE)
- (72) Inventor: **Ulrich Ewringmann**, Taufkirchen-Potzham (DE)
- (73) Assignee: **JOSEPH VOGELE AG**, Ludwigshafen/Rhein (DE)
- (\*\*) Term: **14 Years**
- (21) Appl. No.: **29/433,491**
- (22) Filed: **Oct. 1, 2012**

- (30) **Foreign Application Priority Data**  
Mar. 29, 2012 (EM) ..... 001322689
- (51) **LOC (10) Cl.** ..... **15-03**
- (52) **U.S. Cl.**  
USPC ..... **D15/19; D15/28**
- (58) **Field of Classification Search**  
USPC ..... D15/10, 13, 19, 22-26, 28; 404/110, 404/101, 108, 75, 102, 118, 84.08, 105  
CPC ..... E01C 19/4873; E01C 19/48; E01C 19/00  
See application file for complete search history.

- (56) **References Cited**  
**U.S. PATENT DOCUMENTS**  
3,557,672 A \* 1/1971 Shurtz et al. .... 404/95  
3,907,451 A \* 9/1975 Fisher et al. .... 404/101  
4,272,213 A \* 6/1981 McGovarin ..... 404/118  
5,201,603 A \* 4/1993 Bassett et al. .... 404/84.1  
5,203,642 A \* 4/1993 Heller et al. .... 404/118  
6,099,205 A \* 8/2000 Macku et al. .... 404/92  
6,203,243 B1 \* 3/2001 Birtchet ..... 404/104  
6,273,636 B1 \* 8/2001 Johanpeter ..... 404/104

6,375,386	B1 *	4/2002	Macku et al. ....	404/17
7,121,763	B1 *	10/2006	Young et al. ....	404/118
7,413,377	B2 *	8/2008	Pontano, III ....	404/118
7,651,295	B2 *	1/2010	Eppes et al. ....	404/84.05
8,221,026	B2 *	7/2012	Munz et al. ....	404/96
D672,790	S *	12/2012	Kopacz et al. ....	D15/19
D673,981	S *	1/2013	Kopacz et al. ....	D15/19
8,591,145	B1 *	11/2013	Engel et al. ....	404/104
2007/0258769	A1 *	11/2007	Eppes ..... 404/118	

\* cited by examiner  
*Primary Examiner* — Mark Goodwin  
(74) *Attorney, Agent, or Firm* — Fish & Richardson P.C.

(57) **CLAIM**  
The ornamental design for a screed for a paving machine, substantially as shown and described.

**DESCRIPTION**  
FIG. 1 is a perspective view of a screed for a paving machine of the present invention;  
FIG. 2 is a further perspective view thereof;  
FIG. 3 is a front view thereof;  
FIG. 4 is a back view thereof;  
FIG. 5 is a left side view thereof;  
FIG. 6 is a right side view thereof;  
FIG. 7 is a top view thereof;  
FIG. 8 is a bottom view thereof;  
FIG. 9 is a perspective view of a second embodiment of a screed for a paving machine of the present invention;  
FIG. 10 is a further perspective view thereof;  
FIG. 11 is a front view thereof;  
FIG. 12 is a back view thereof;  
FIG. 13 is a left side view thereof;  
FIG. 14 is a right side view thereof;  
FIG. 15 is a top view thereof; and,  
FIG. 16 is a bottom view thereof.

**1 Claim, 16 Drawing Sheets**

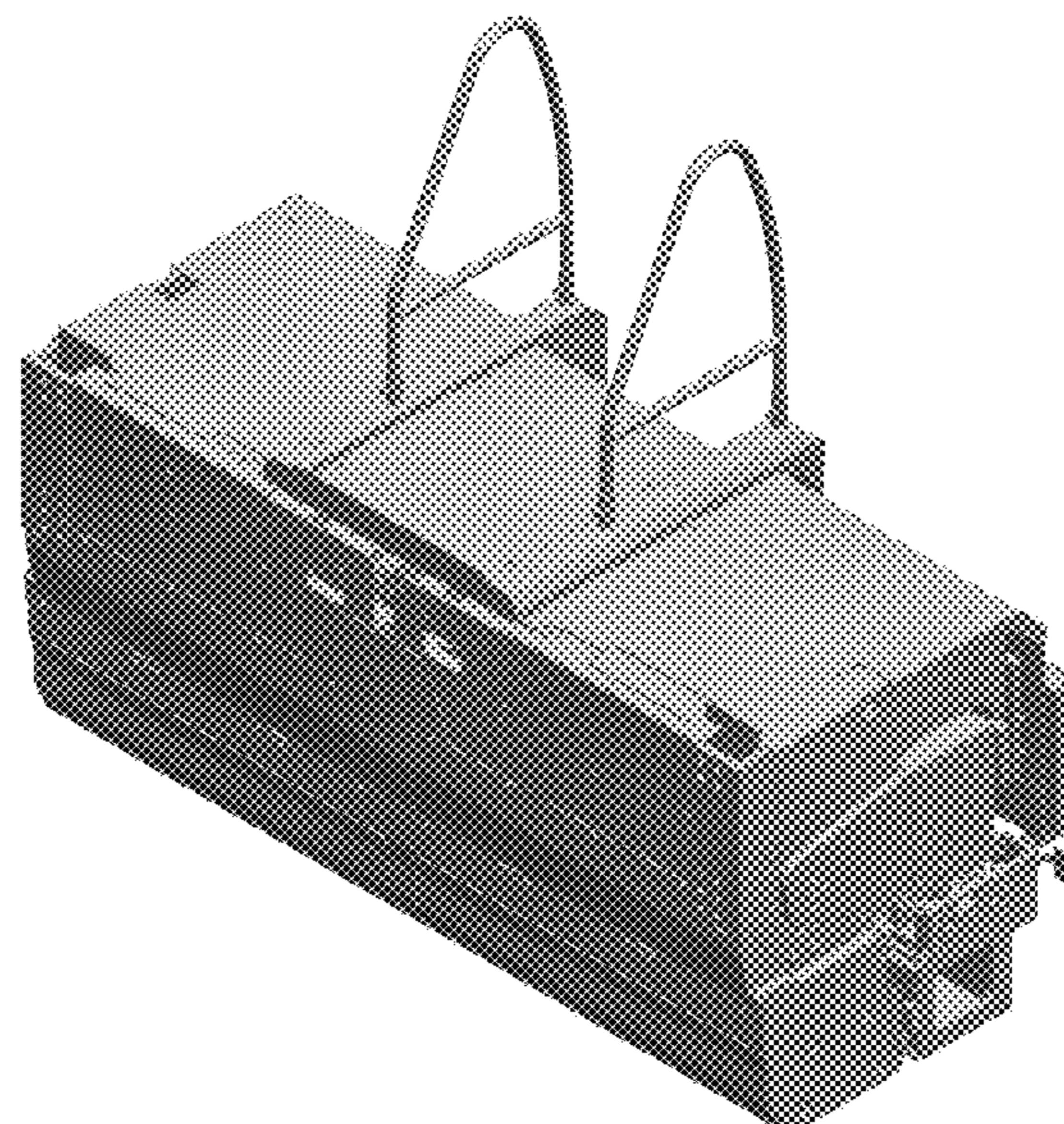


FIG. 1

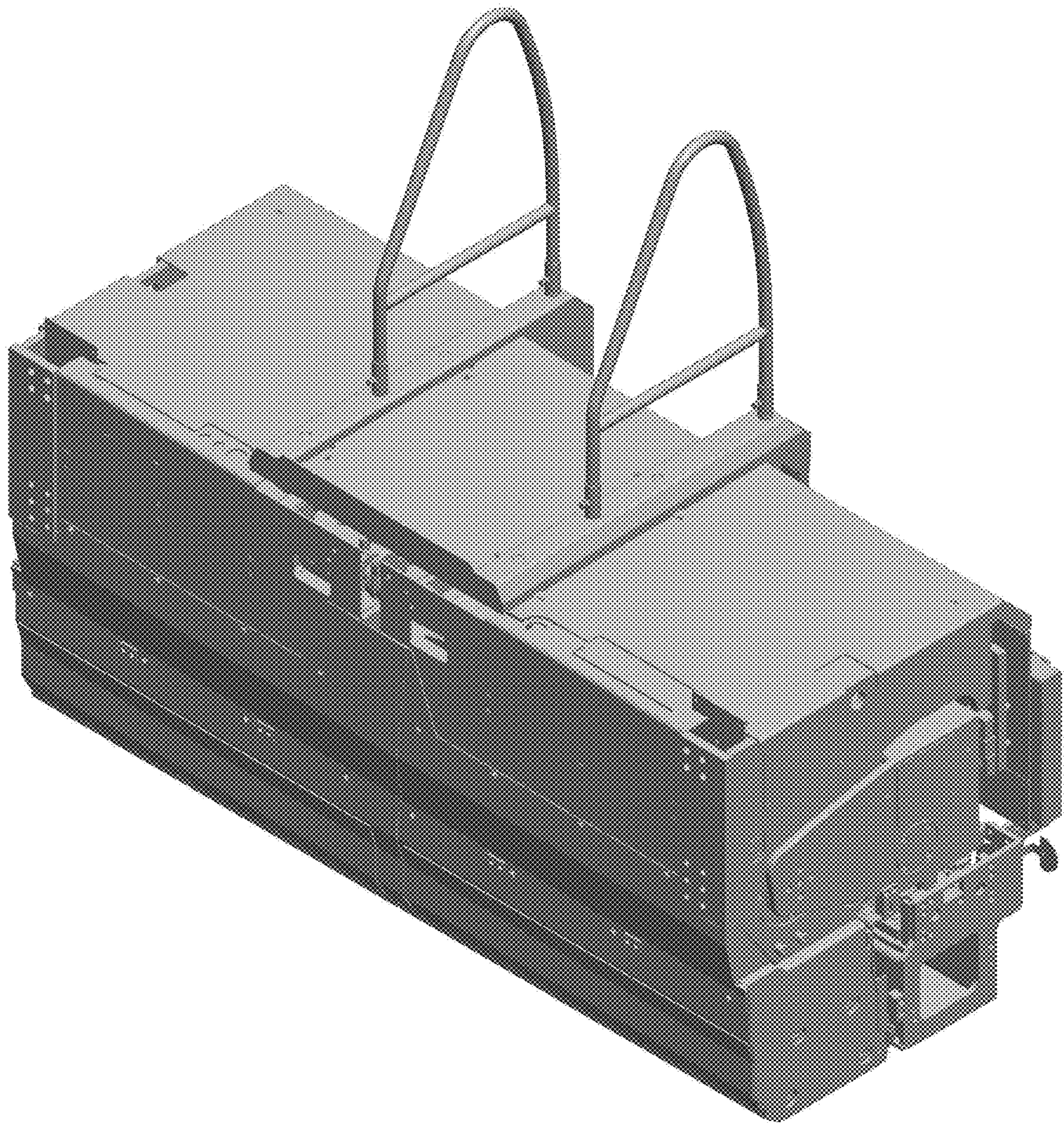
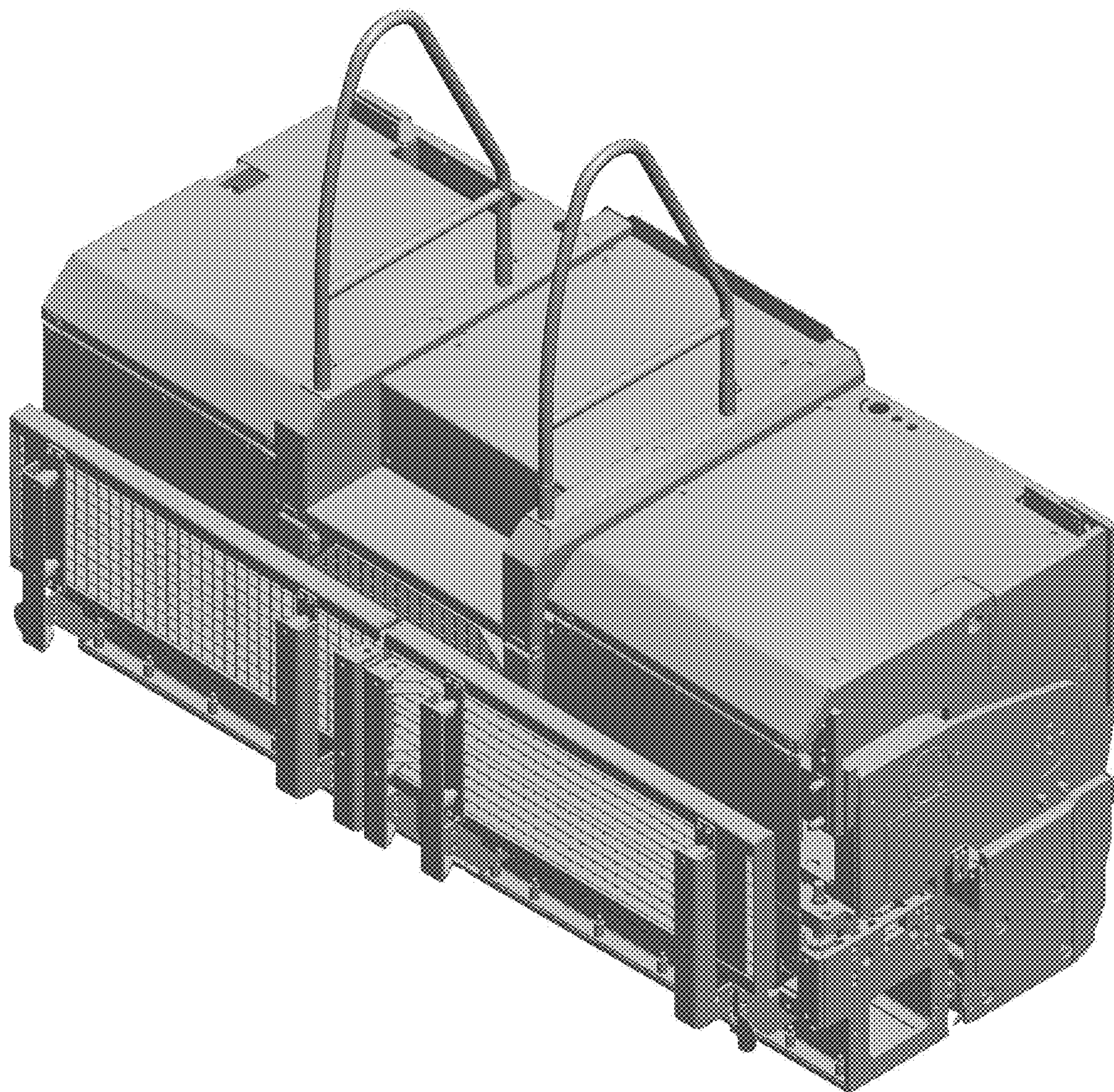


FIG. 2



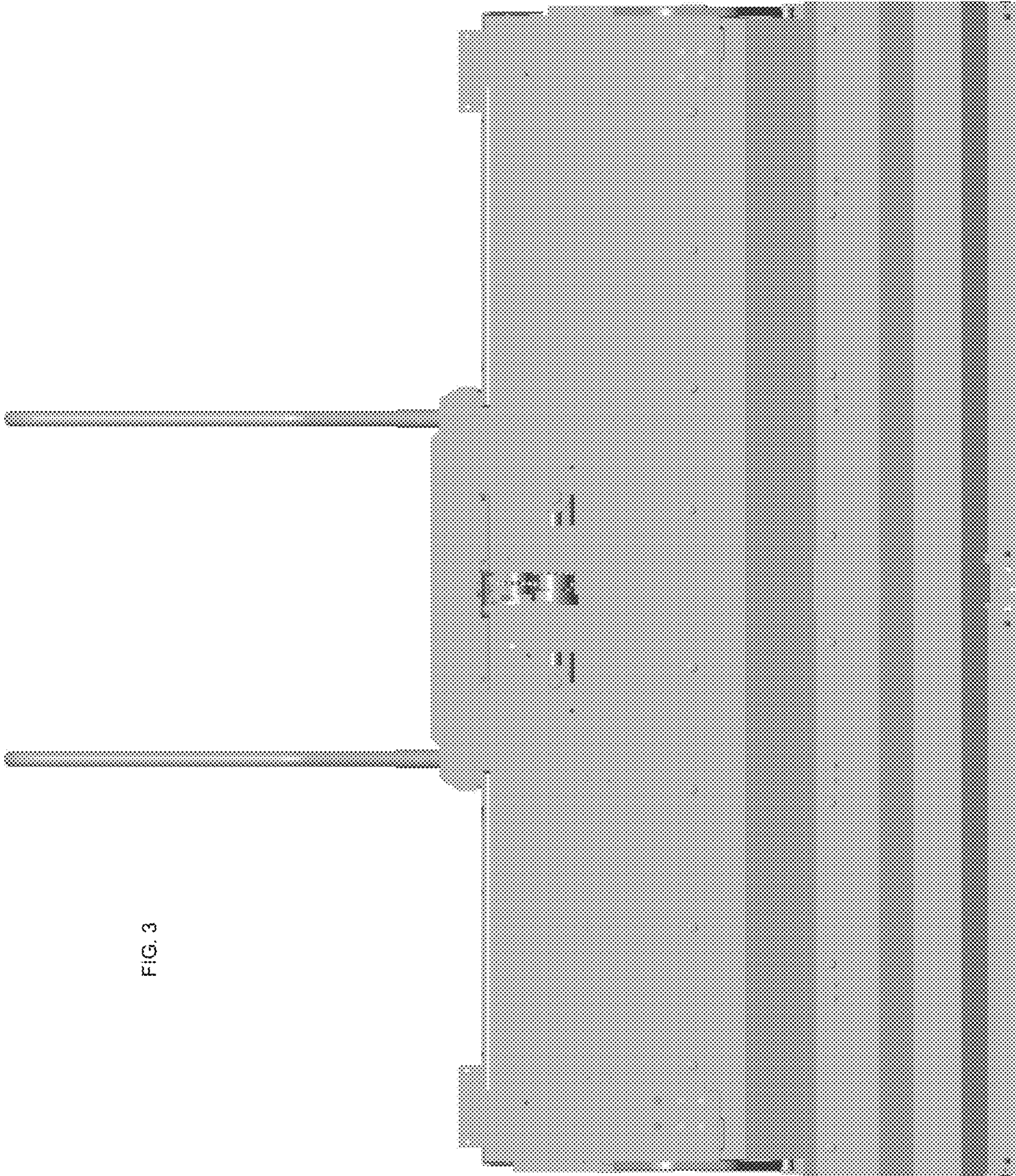


FIG. 3

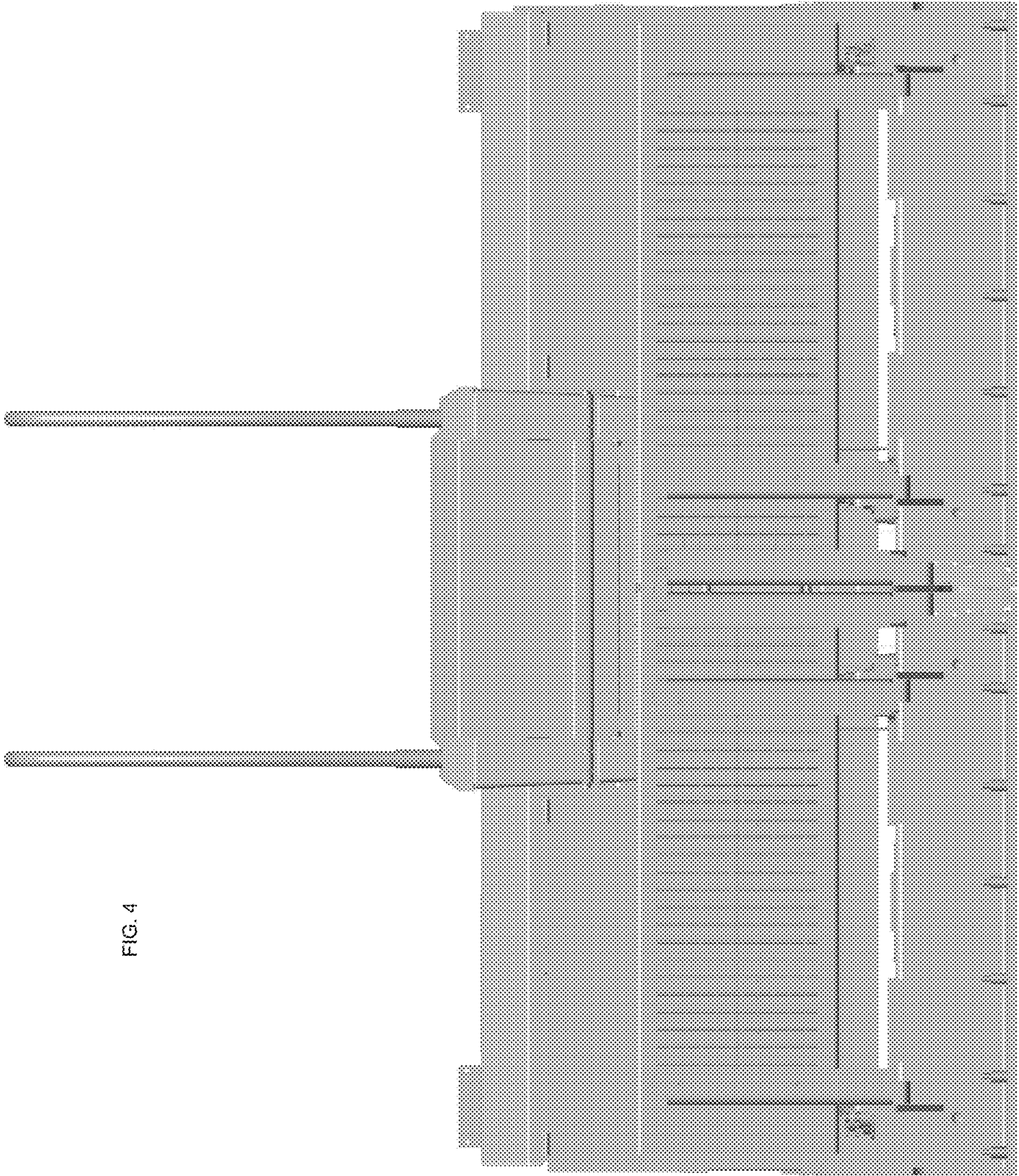


FIG. 4

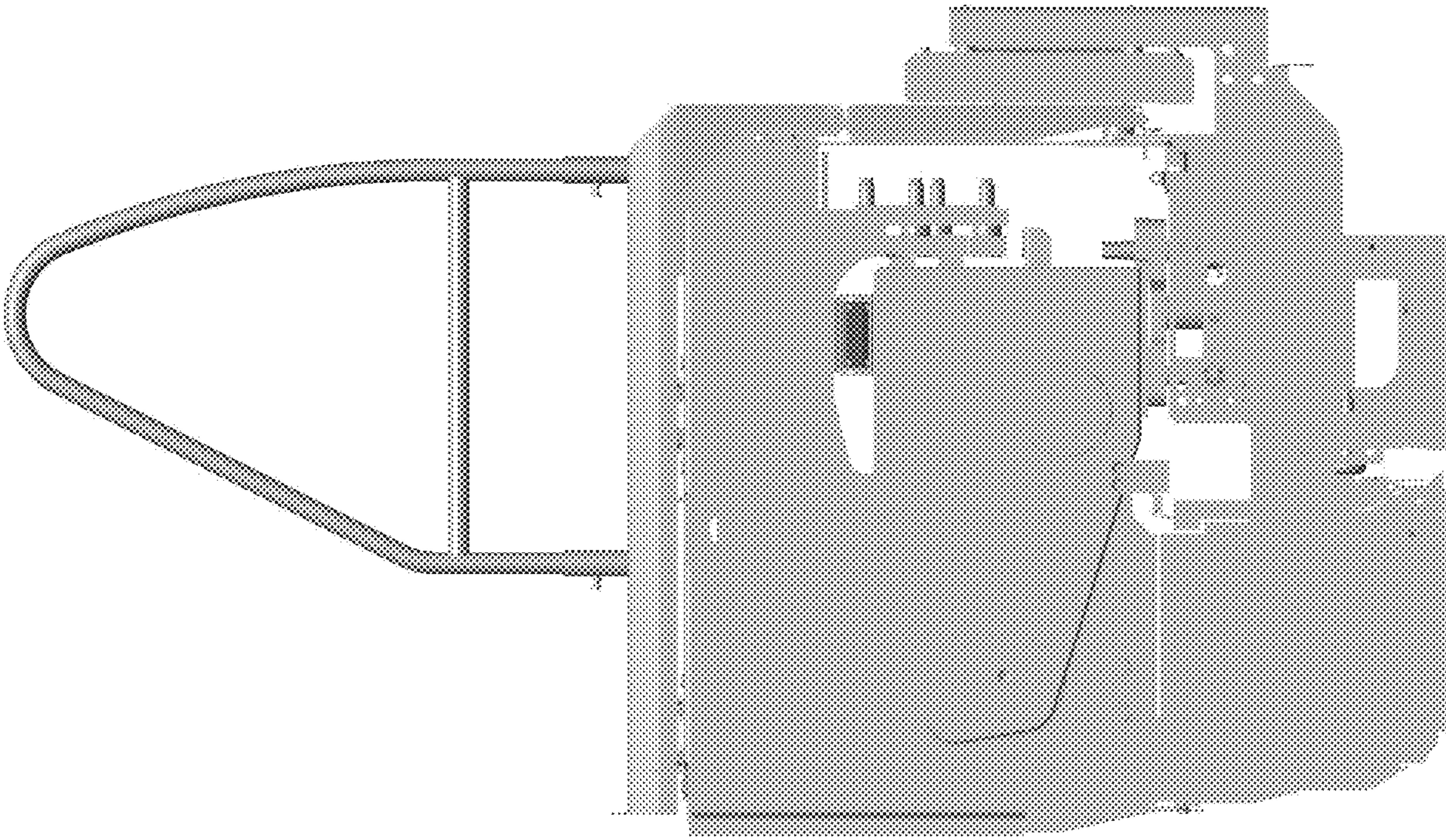


FIG. 5

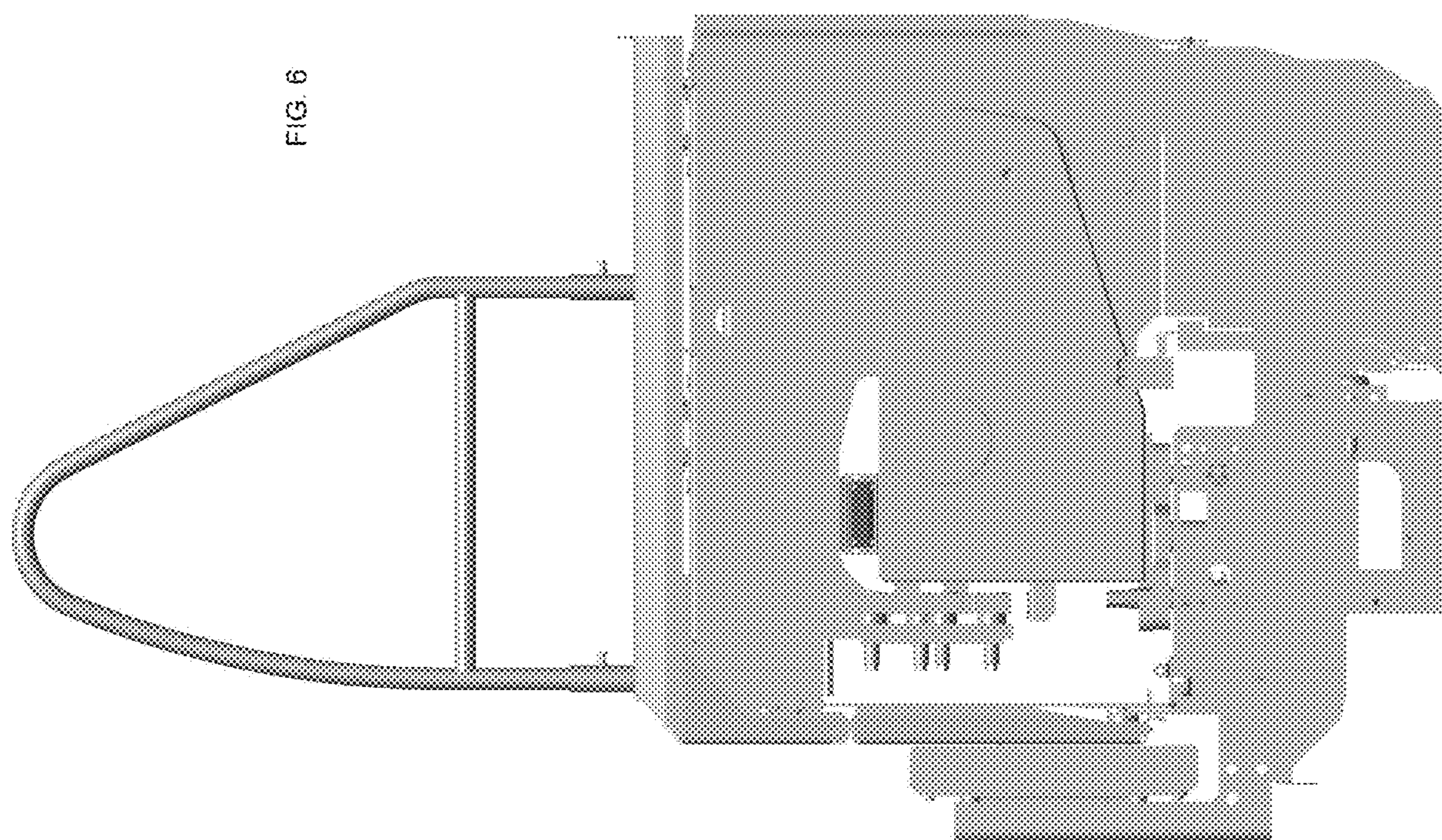


FIG. 6

FIG. 7

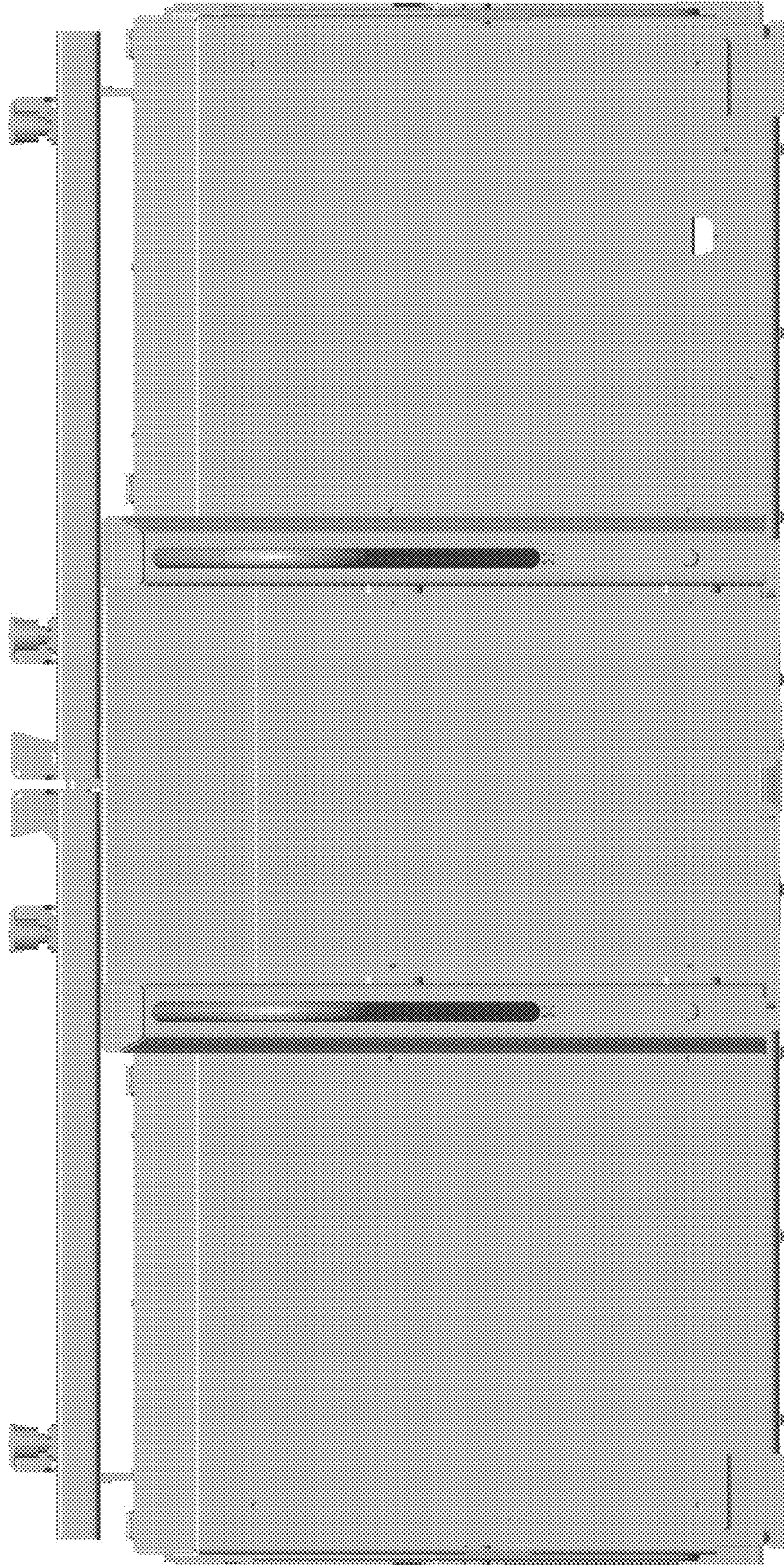
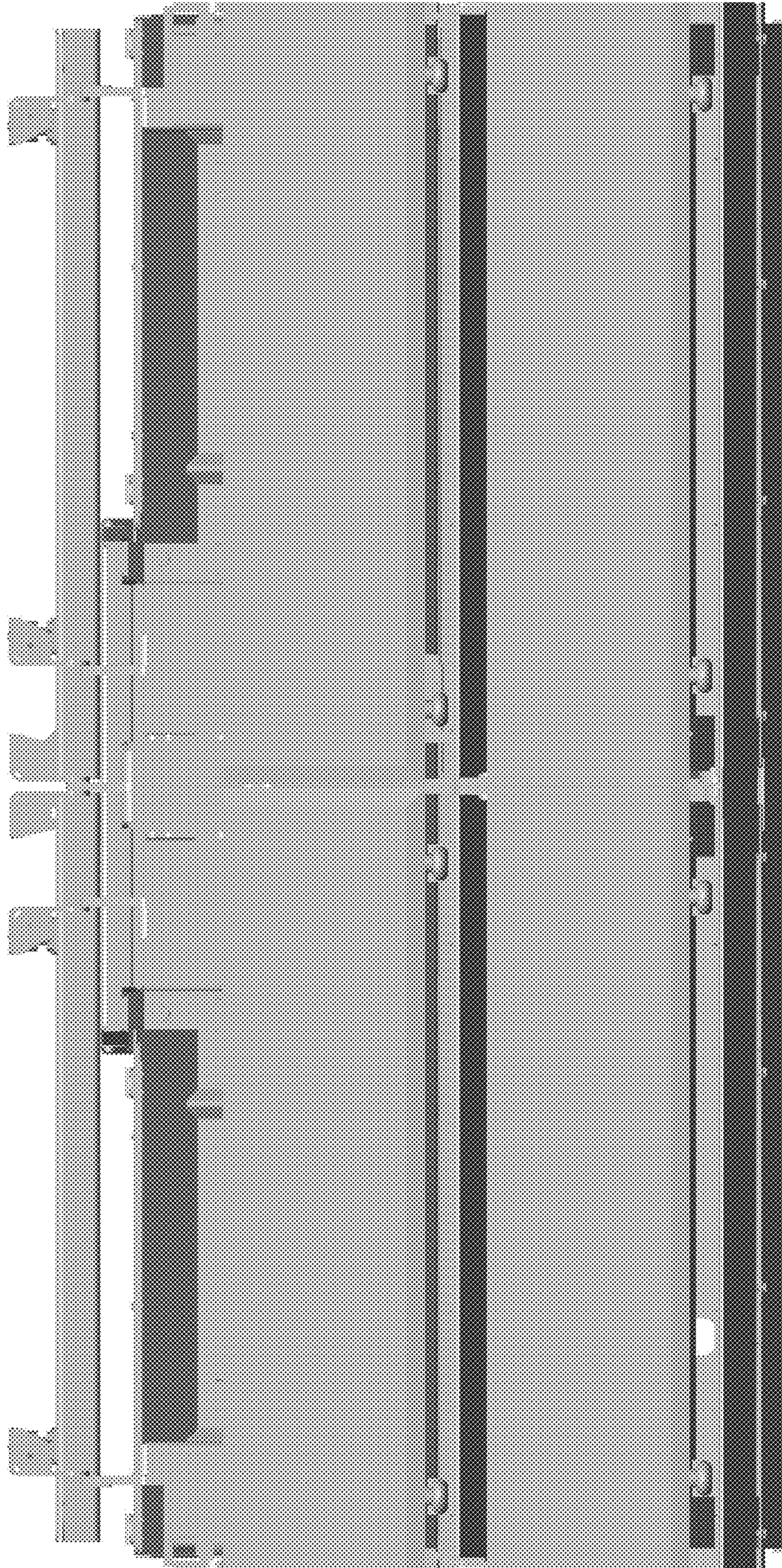




FIG. 8



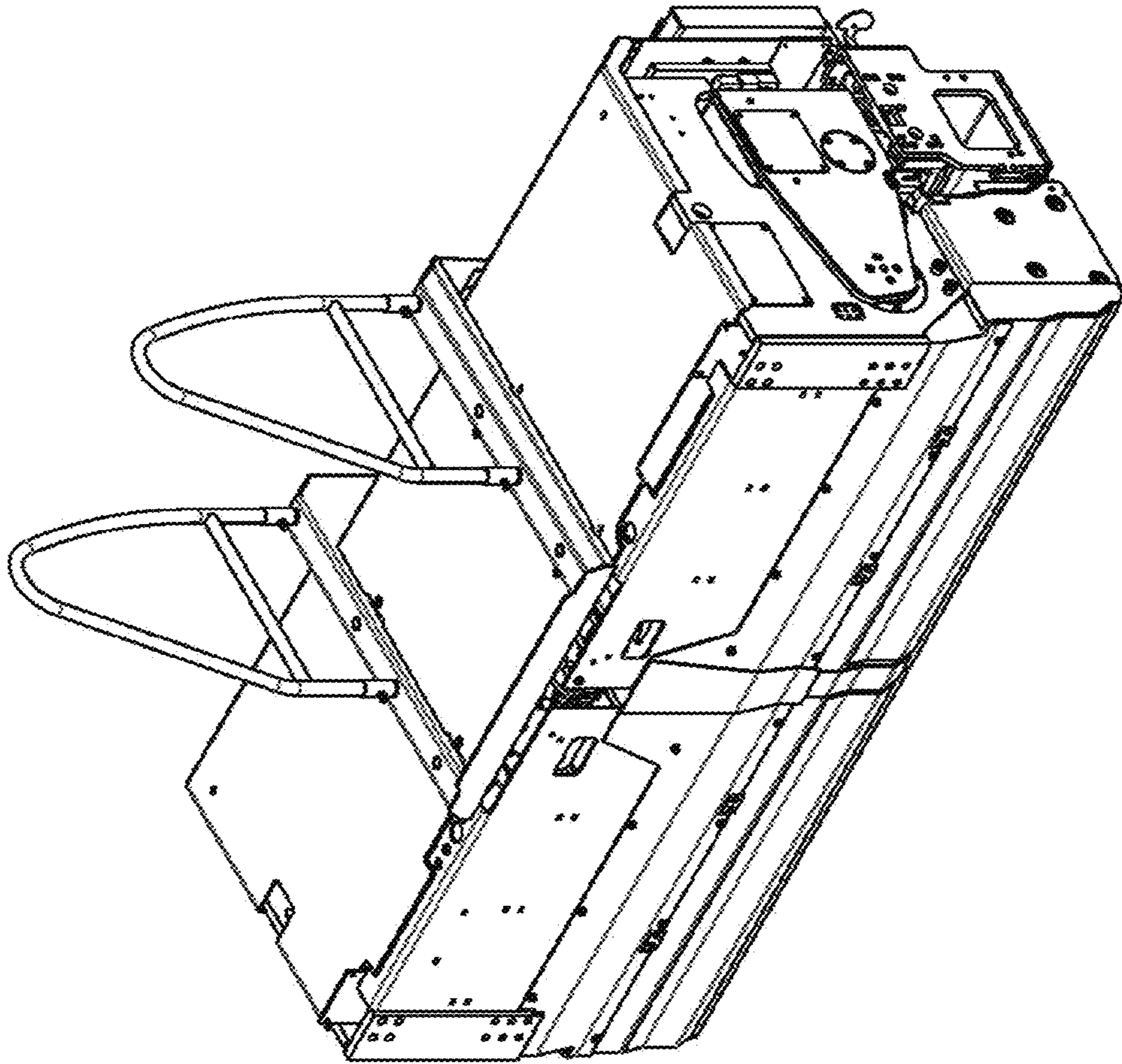


FIG. 9

FIG. 10

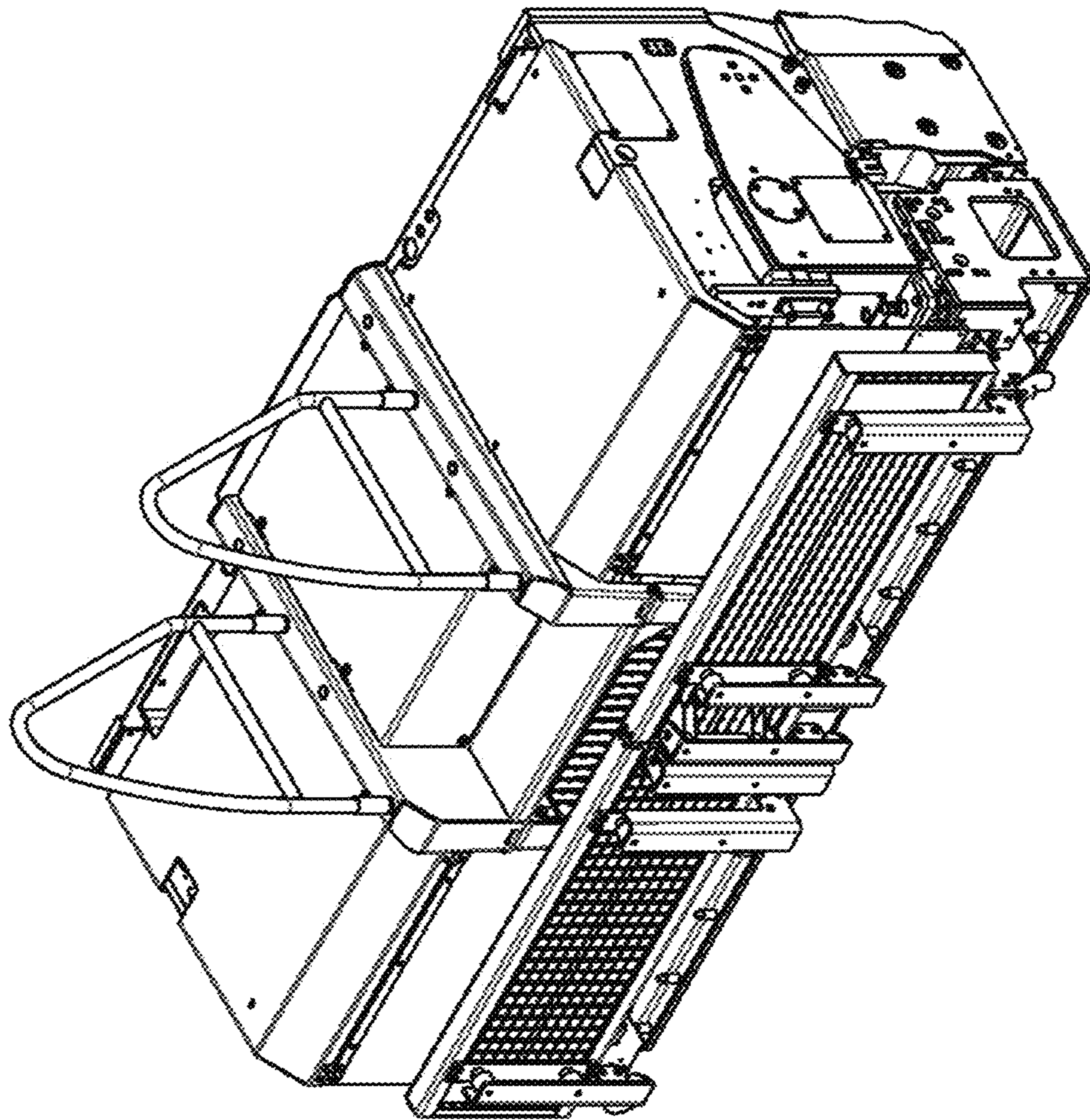


FIG. 11

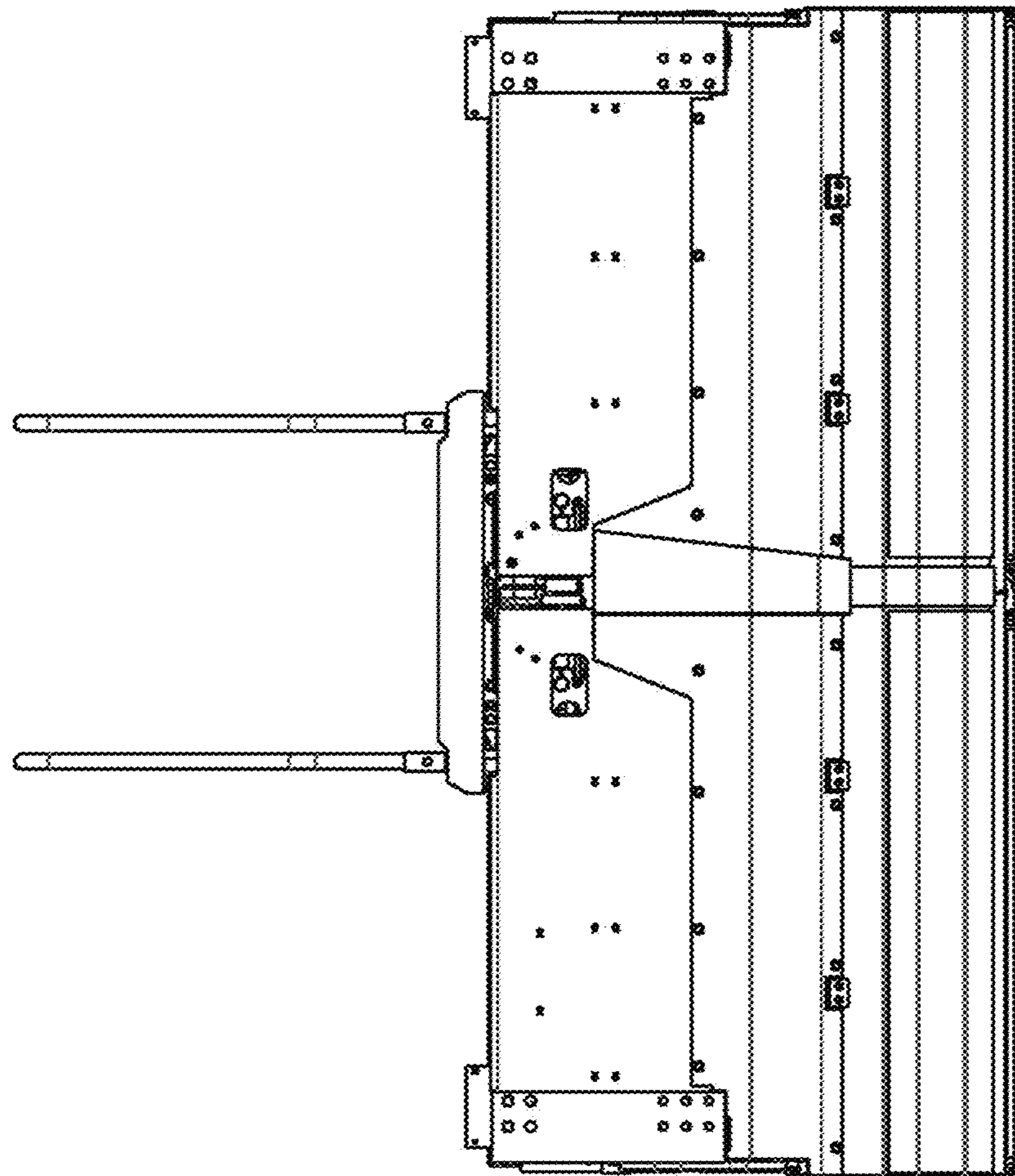


FIG. 12

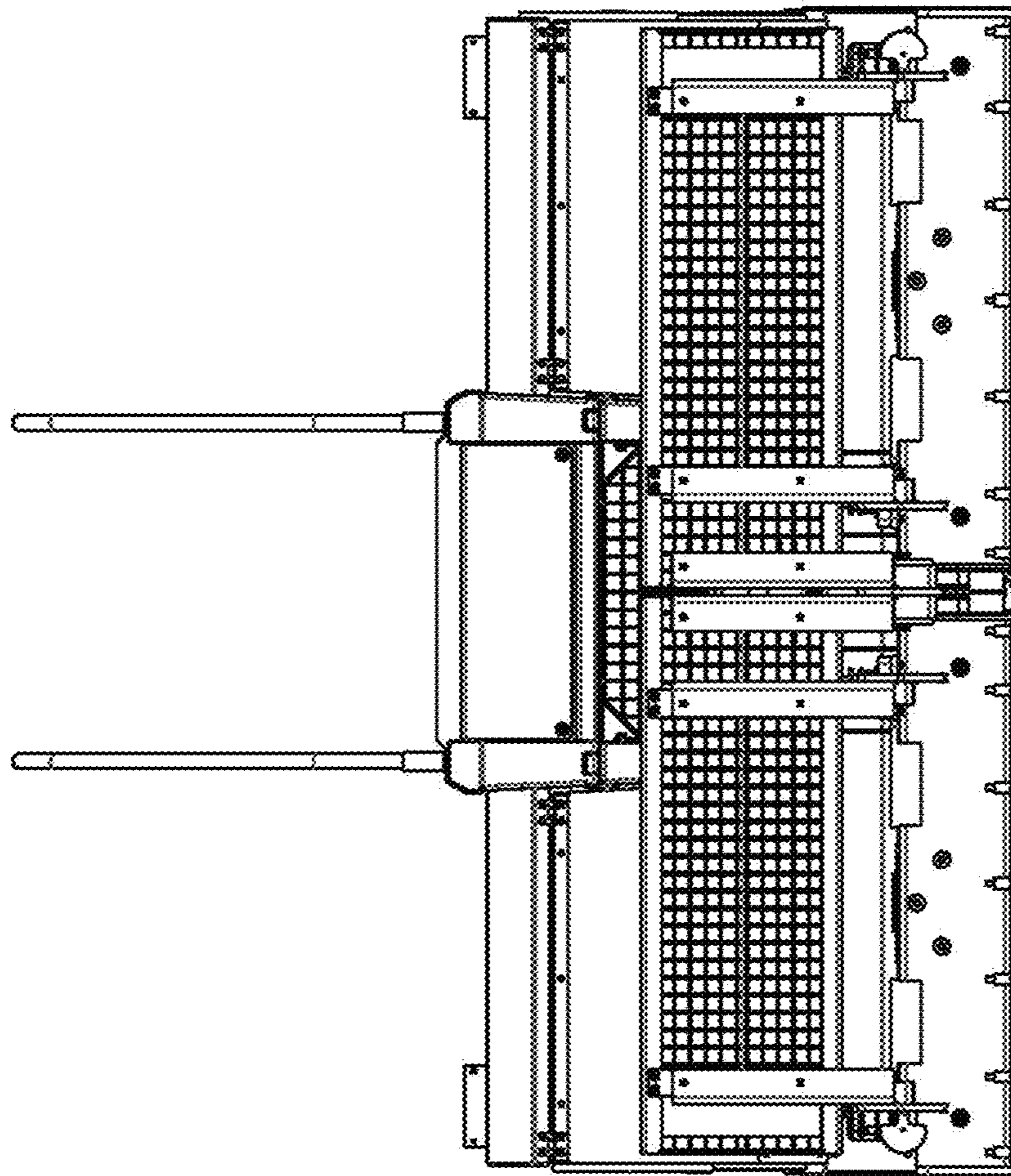


FIG. 13

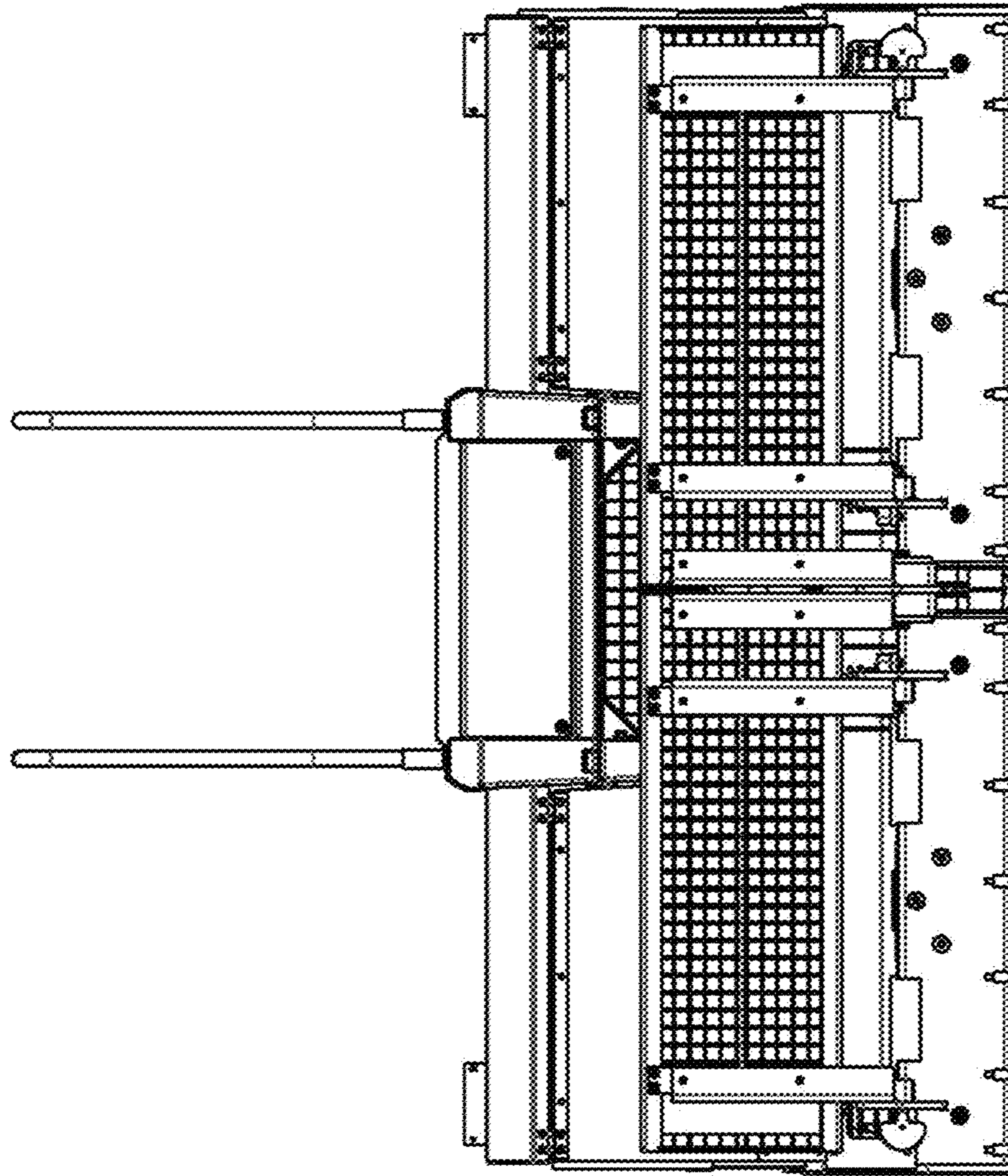


FIG. 14

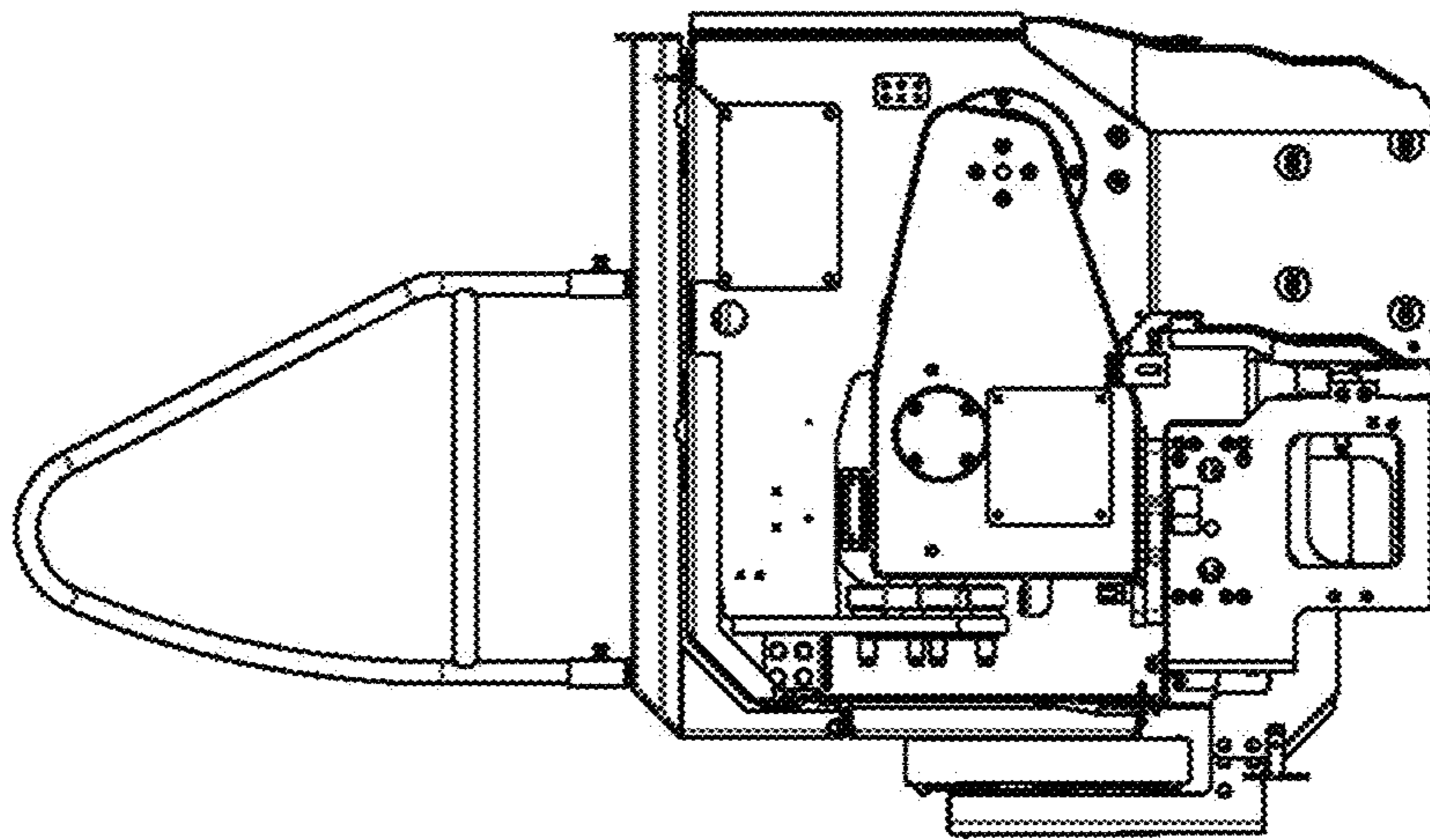


FIG. 15

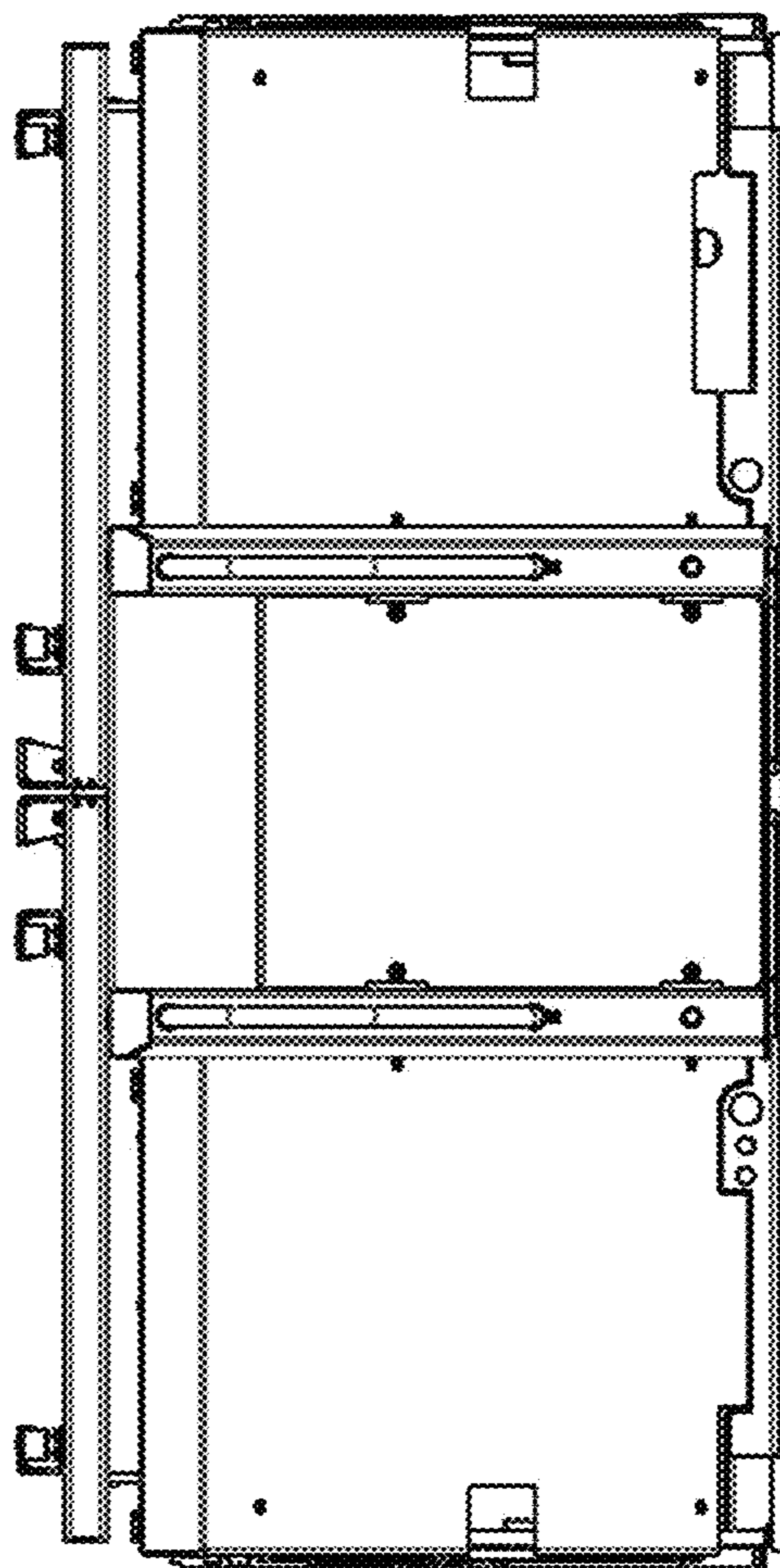




FIG. 16

