



US00D745061S

(12) **United States Design Patent**
DeLeon

(10) **Patent No.:** **US D745,061 S**

(45) **Date of Patent:** **** Dec. 8, 2015**

(54) **FOUR BLADE DE-THATCHING, MULCHING AND GRASS CUTTING LAWN MOWER BLADE**

(71) Applicant: **John Charles DeLeon**, Arlington Heights, IL (US)

(72) Inventor: **John Charles DeLeon**, Arlington Heights, IL (US)

(**) Term: **14 Years**

(21) Appl. No.: **29/474,450**

(22) Filed: **Sep. 25, 2014**

(51) **LOC (10) Cl.** **15-03**

(52) **U.S. Cl.**
USPC **D15/17**

(58) **Field of Classification Search**
USPC D15/14, 17, 28
CPC A01D 34/73; Y10S 56/17; Y10S 56/20
See application file for complete search history.

(56) **References Cited**

U.S. PATENT DOCUMENTS

3,343,350	A *	9/1967	Freedlander et al.	56/295
4,292,791	A *	10/1981	Lalonde	56/255
4,302,878	A *	12/1981	Bonforte	30/347
D268,640	S *	4/1983	Bonforte	D8/8
4,893,457	A *	1/1990	Castain	56/295
5,033,259	A *	7/1991	Adcock	56/295
5,209,052	A *	5/1993	Carroll	56/255
5,287,686	A *	2/1994	Lindsay	56/255
5,561,972	A *	10/1996	Rolfe	56/295
D458,283	S *	6/2002	Stanley	D15/139

D493,476	S *	7/2004	Apfel et al.	D15/139
D524,827	S *	7/2006	Byrne	D15/29
D574,860	S *	8/2008	Potts	D15/17
D577,372	S *	9/2008	Hung	D15/17
D656,519	S *	3/2012	Funnell	D15/17
D696,301	S *	12/2013	DeLeon et al.	D15/17
2006/0254243	A1 *	11/2006	Myers	56/255

* cited by examiner

Primary Examiner — Mitchell Siegel

(57) **CLAIM**

The ornamental design for a four blade de-thatching, mulching and grass cutting lawn mower blade, as shown and described.

DESCRIPTION

FIG. 1 is a top perspective view of a four blade de-thatching, mulching and grass cutting lawn mower blade showing my new design;

FIG. 2 is a top plan view thereof;

FIG. 3 is a bottom plan view thereof;

FIG. 4 is an enlarged side elevational view thereof;

FIG. 5 is an enlarged cross sectional view taken on line 5-5 of FIG. 2;

FIG. 6 is a reduced perspective view of FIG. 1;

FIG. 7 is another reduced perspective view of FIG. 1;

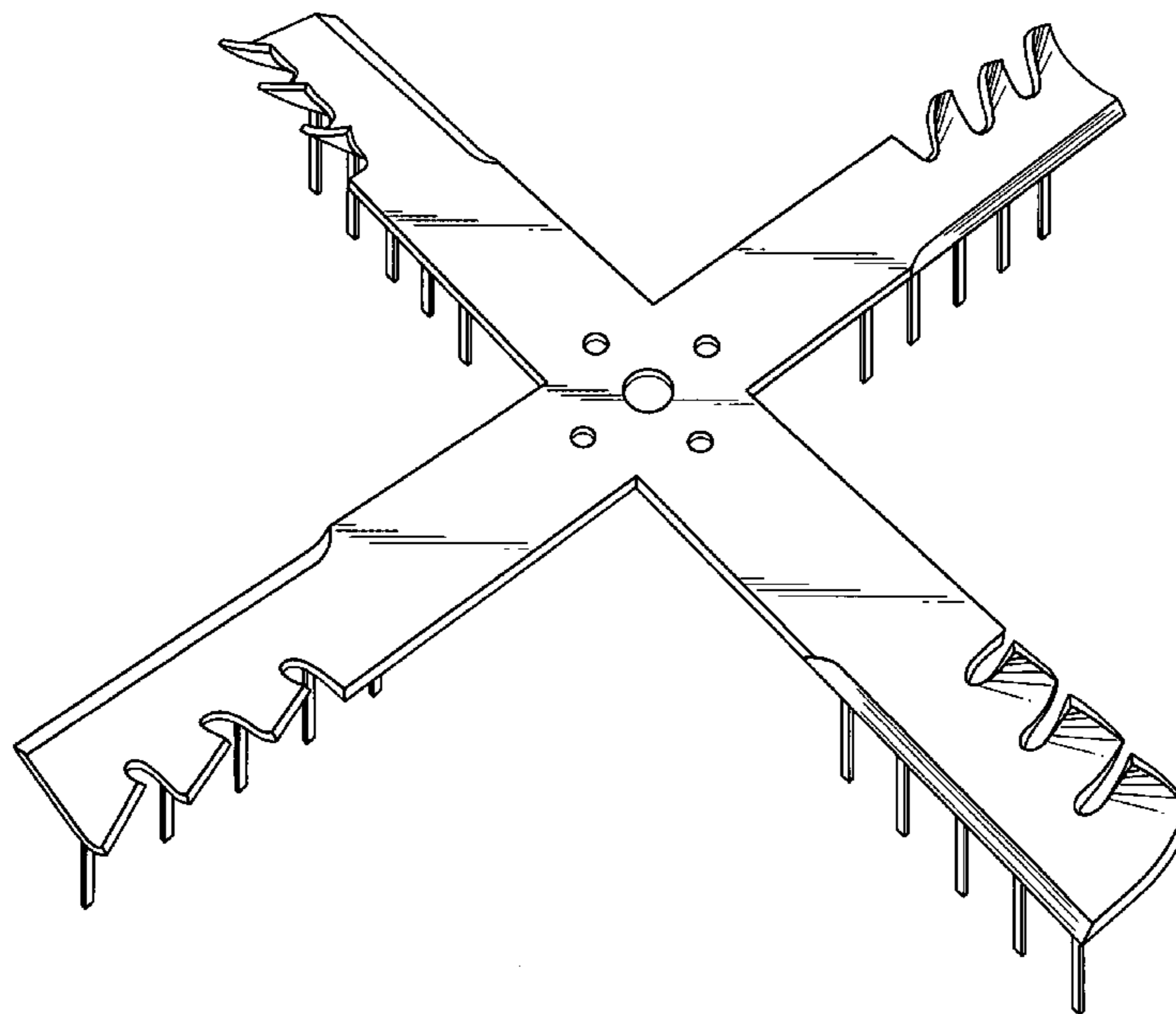
FIG. 8 is a reduced elevation view of FIG. 4;

FIG. 9 is a reduced elevational view of FIG. 1; and,

FIG. 10 is a reduced top plan view of FIG. 2.

The broken line showing of a lawn mower in FIGS. 6 and 7 and, a lawn mower and grass in FIGS. 8, 9 and 10 are included for the purpose of illustrating environmental structure only and forms no part of the claimed design.

1 Claim, 9 Drawing Sheets



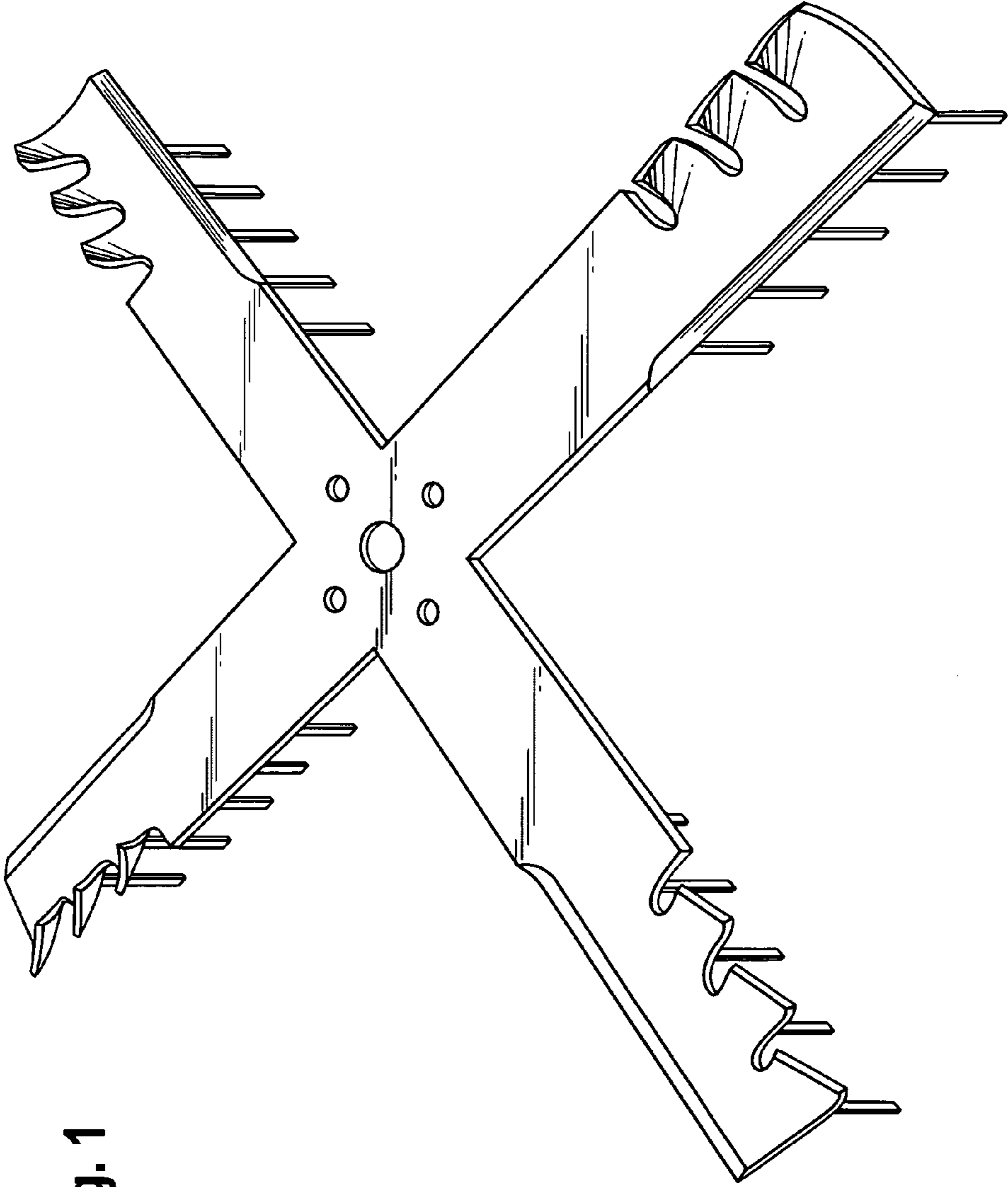


Fig. 1

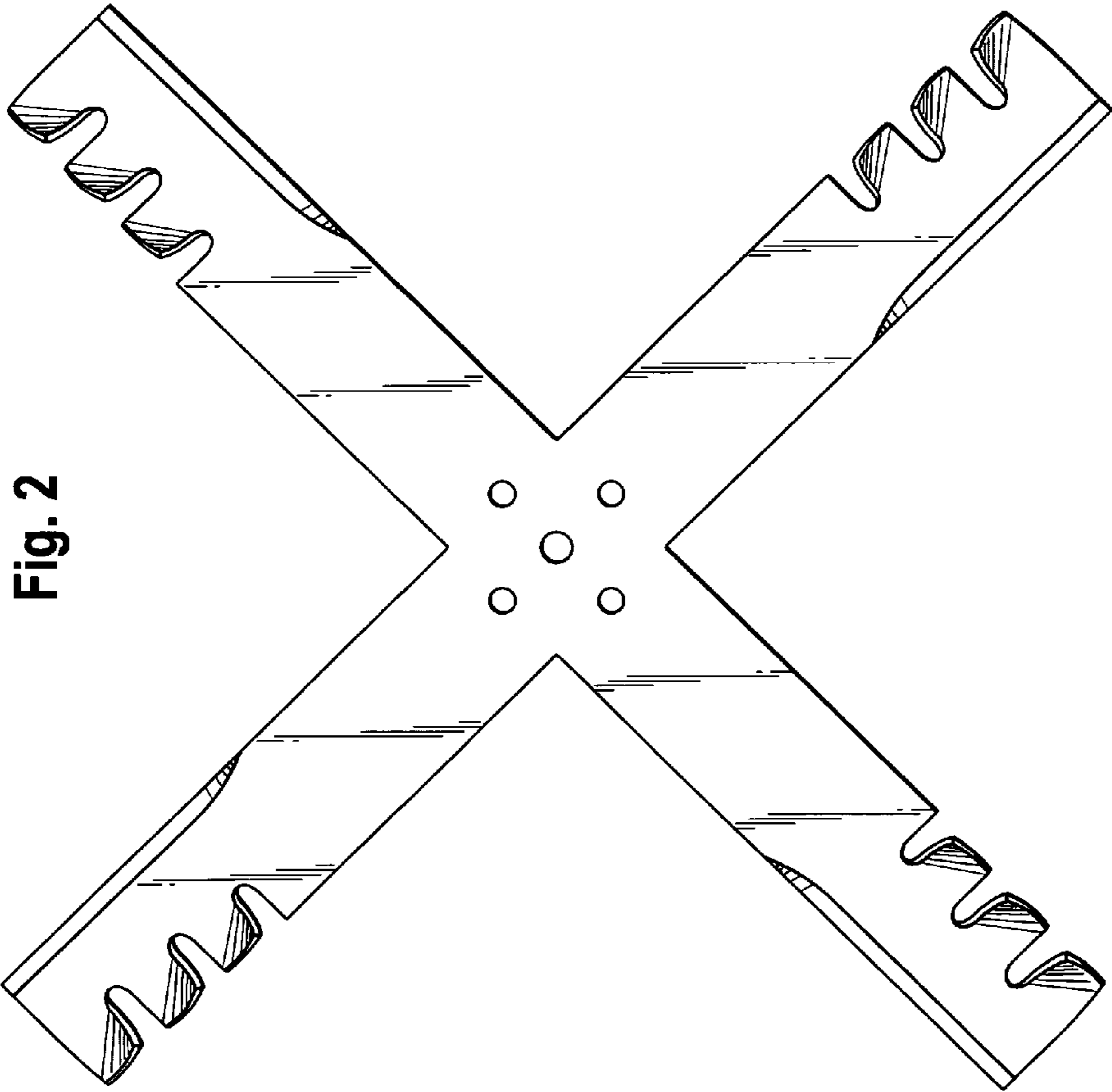


Fig. 2

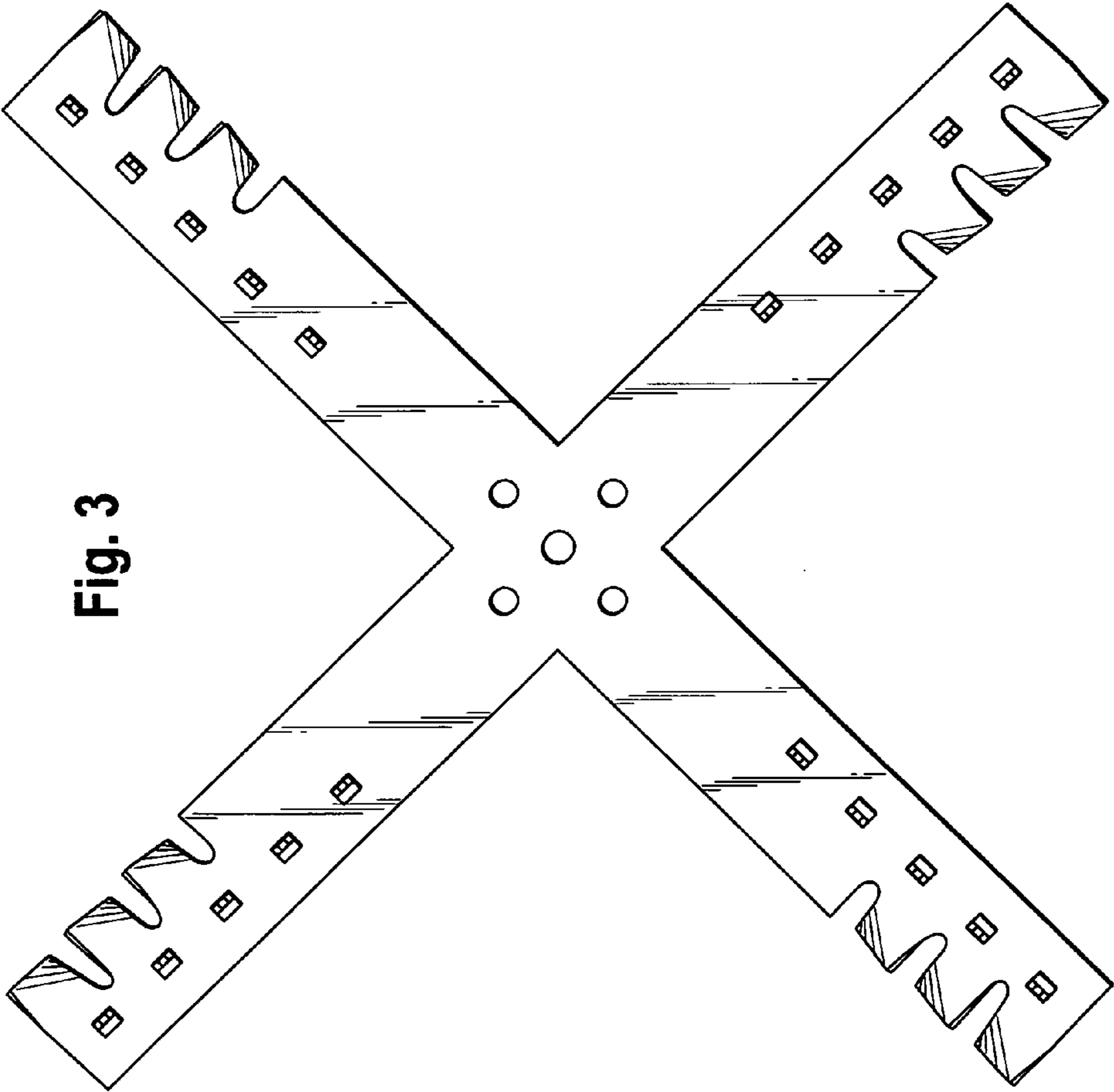


Fig. 3

Fig. 4

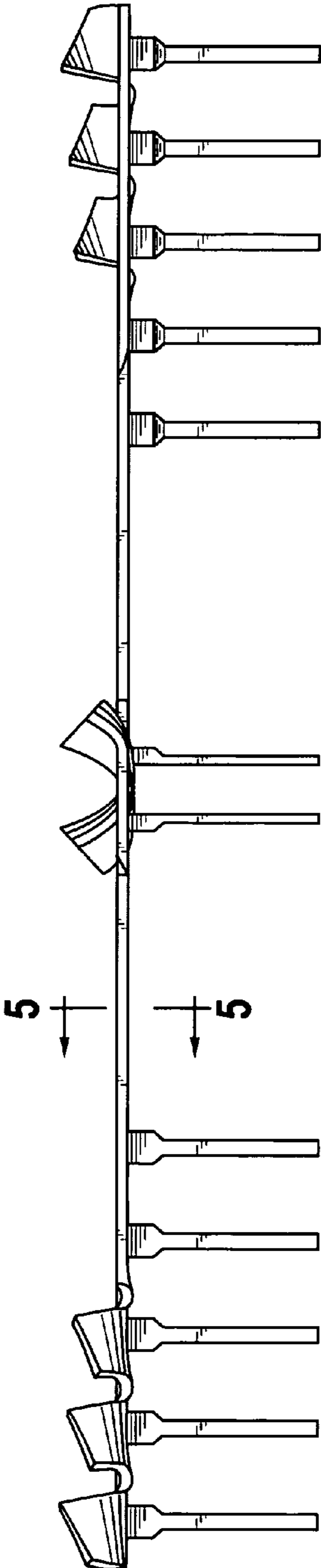
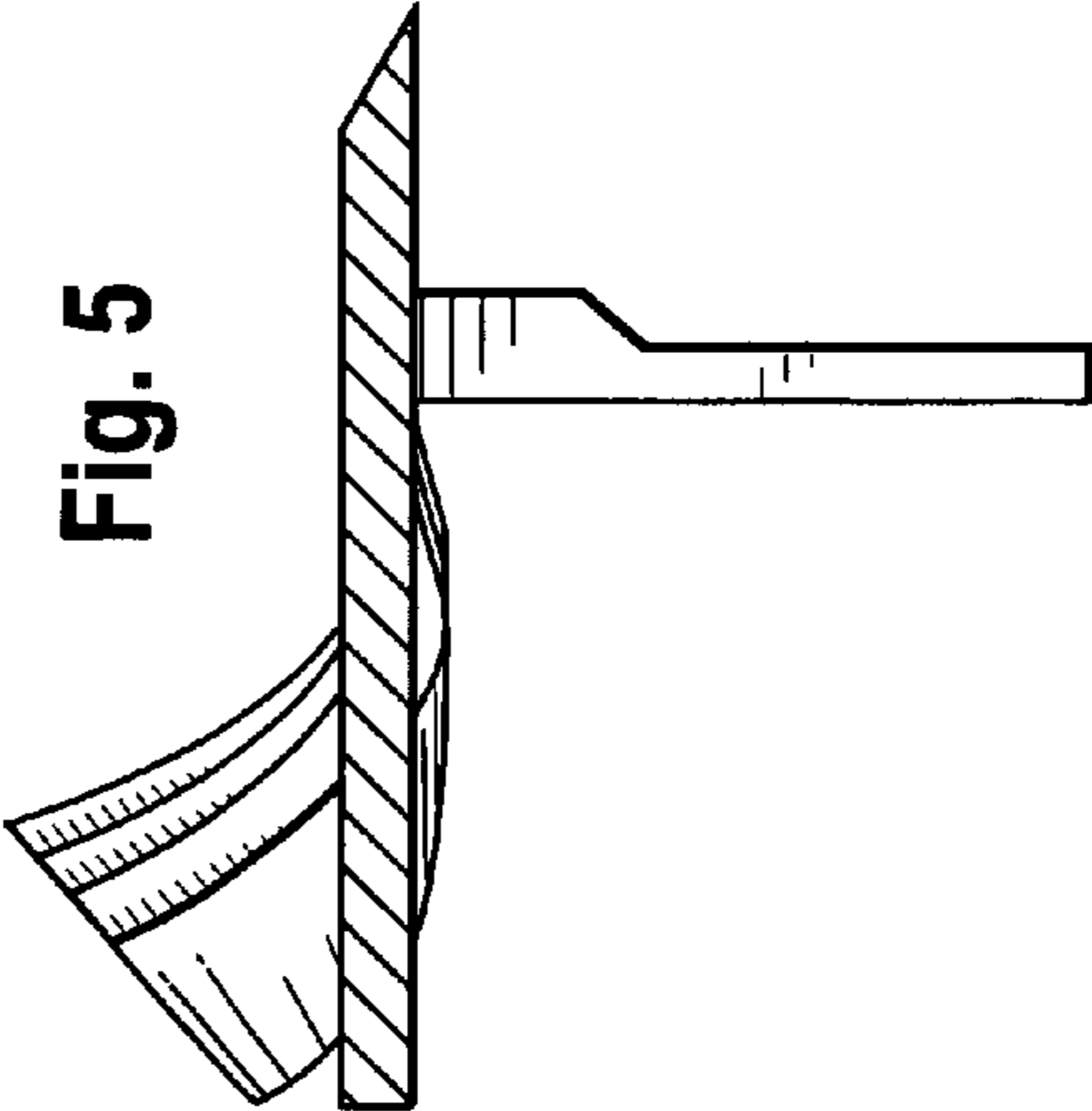


Fig. 5



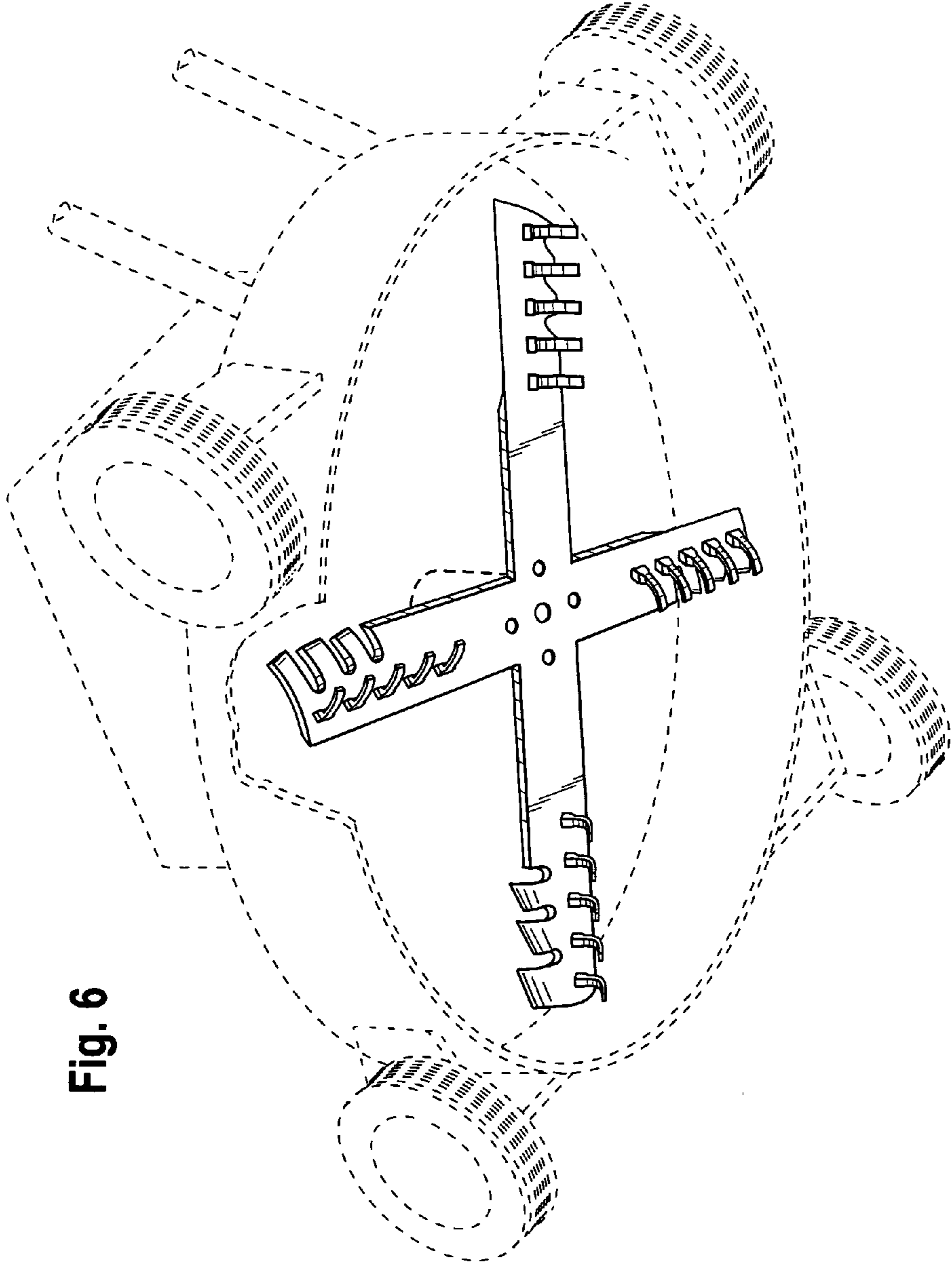


Fig. 6

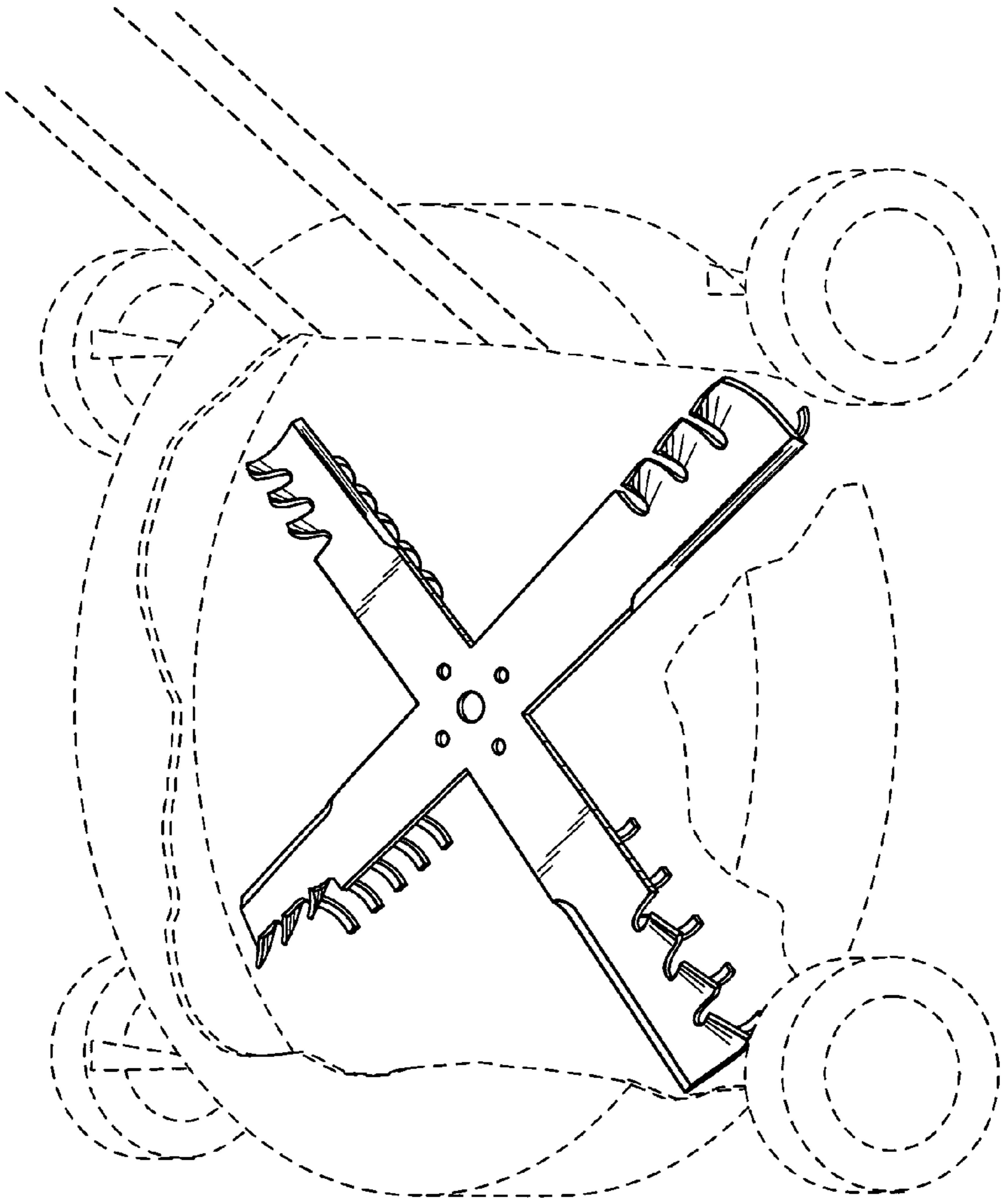


Fig. 7

Fig. 8

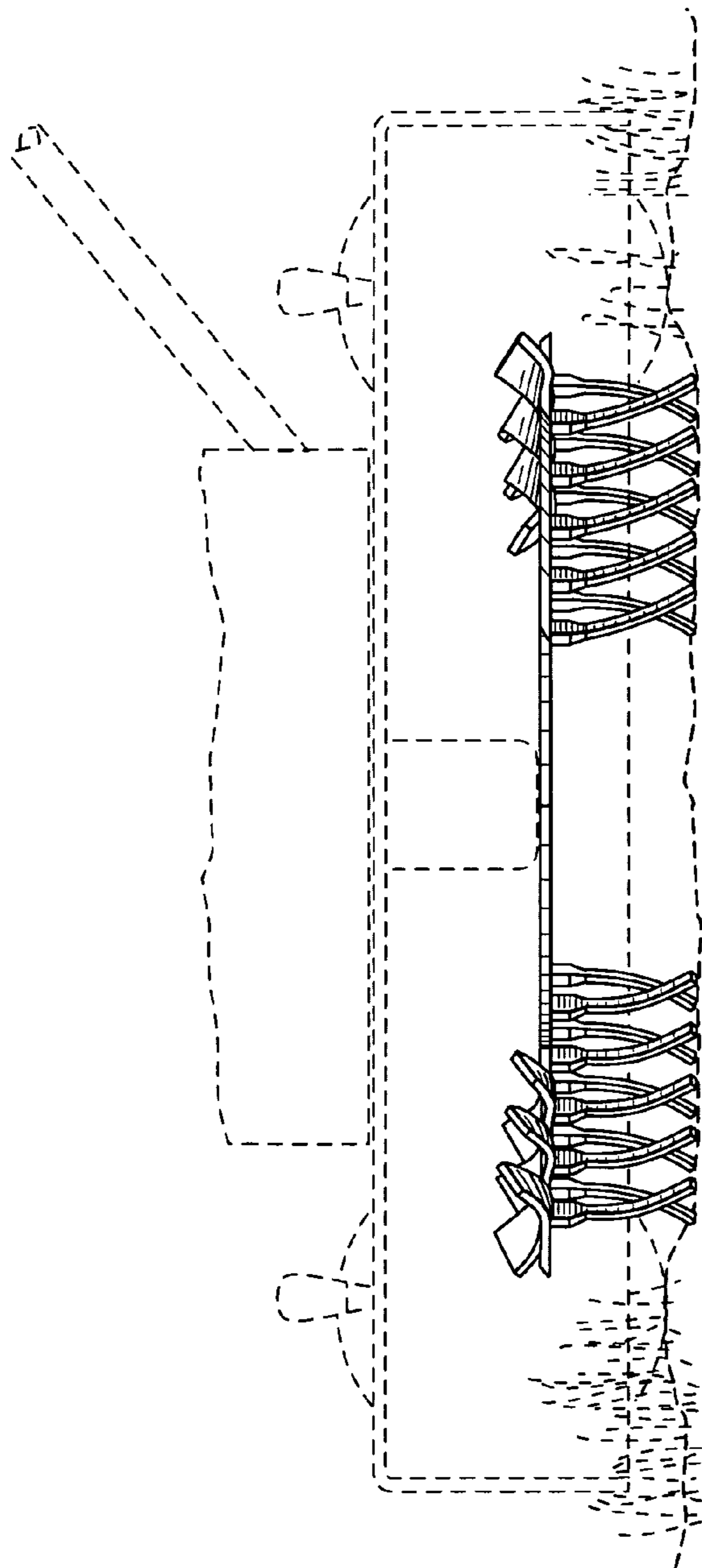


Fig. 9

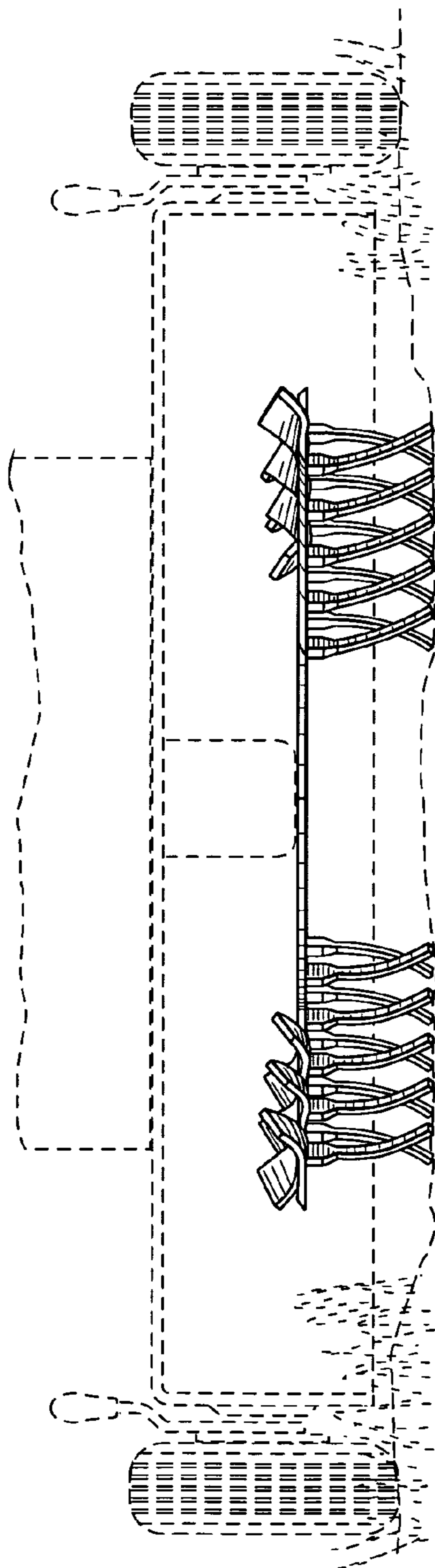


Fig. 10

