



US00D745060S

(12) **United States Design Patent**  
**Larsson et al.**

(10) **Patent No.:** **US D745,060 S**  
(45) **Date of Patent:** **\*\* Dec. 8, 2015**

(54) **FUEL DISPENSER UNIT**

(71) Applicant: **Wayne Fueling Systems Sweden AB,**  
Malmö (SE)

(72) Inventors: **Bengt I. Larsson,** Malmö (SE); **Mattias G. Martensson,** Kävlinge (SE); **Hanna Helgesson,** Dalby (SE)

(73) Assignee: **Wayne Fueling Systems Sweden AB,**  
Malmö (SE)

(\*\*) Term: **14 Years**

(21) Appl. No.: **29/491,005**

(22) Filed: **May 15, 2014**

(51) **LOC (10) Cl.** ..... **15-02**

(52) **U.S. Cl.**  
USPC ..... **D15/9.2**

(58) **Field of Classification Search**  
USPC ..... D15/7-9.3; D23/231, 232, 225; 417/60, 417/235, 265, 321, 355, 358, 363, 359, 417/410.1, 415-416, 405, 900; 60/408, 60/412; 184/26-37; 415/140-147; 123/495, 509; 222/27, 74, 28, 23, 538, 222/14, 173, 183, 184  
CPC ..... B67D 5/16; B67D 5/08; B67D 5/22; B67D 5/12; B67D 5/06; B67D 7/12  
See application file for complete search history.

(56) **References Cited**

**U.S. PATENT DOCUMENTS**

D197,440 S \* 2/1964 Winger et al. .... D15/9.2  
4,930,665 A \* 6/1990 Devine ..... 222/28

D309,144 S \* 7/1990 Austin et al. .... D15/9.2  
5,867,403 A \* 2/1999 Sasnett et al. .... 700/282  
D664,997 S \* 8/2012 Helgesson et al. .... D15/9.1  
D677,284 S \* 3/2013 Helgesson et al. .... D15/9.2  
D700,917 S \* 3/2014 Helgesson et al. .... D15/9.2  
D727,365 S \* 4/2015 Helgesson et al. .... D15/9.2

\* cited by examiner

*Primary Examiner* — Ralf Siefert

(74) *Attorney, Agent, or Firm* — Mintz Levin Cohn Ferris Glovsky and Popeo, P.C.

(57) **CLAIM**

The ornamental design for a fuel dispensing unit, as shown and described.

**DESCRIPTION**

FIG. 1 is a perspective view a fuel dispensing unit showing our new design;  
FIG. 2 is a front view;  
FIG. 3 is a back side view;  
FIG. 4 is a left side view;  
FIG. 5 is a right side view;  
FIG. 6 is a top side view;  
FIG. 7 is a perspective view of second embodiment of a fuel dispensing unit showing the second embodiment of our new design;  
FIG. 8 is a front view of FIG. 7;  
FIG. 9 is a back side view of FIG. 7;  
FIG. 10 is a left side view of FIG. 7;  
FIG. 11 is a right side view of FIG. 7; and,  
FIG. 12 is a top side view of FIG. 7.  
The broken lines shown in all of the drawing figures is for illustrative purposes only and forms no part of the claimed design.

**1 Claim, 12 Drawing Sheets**

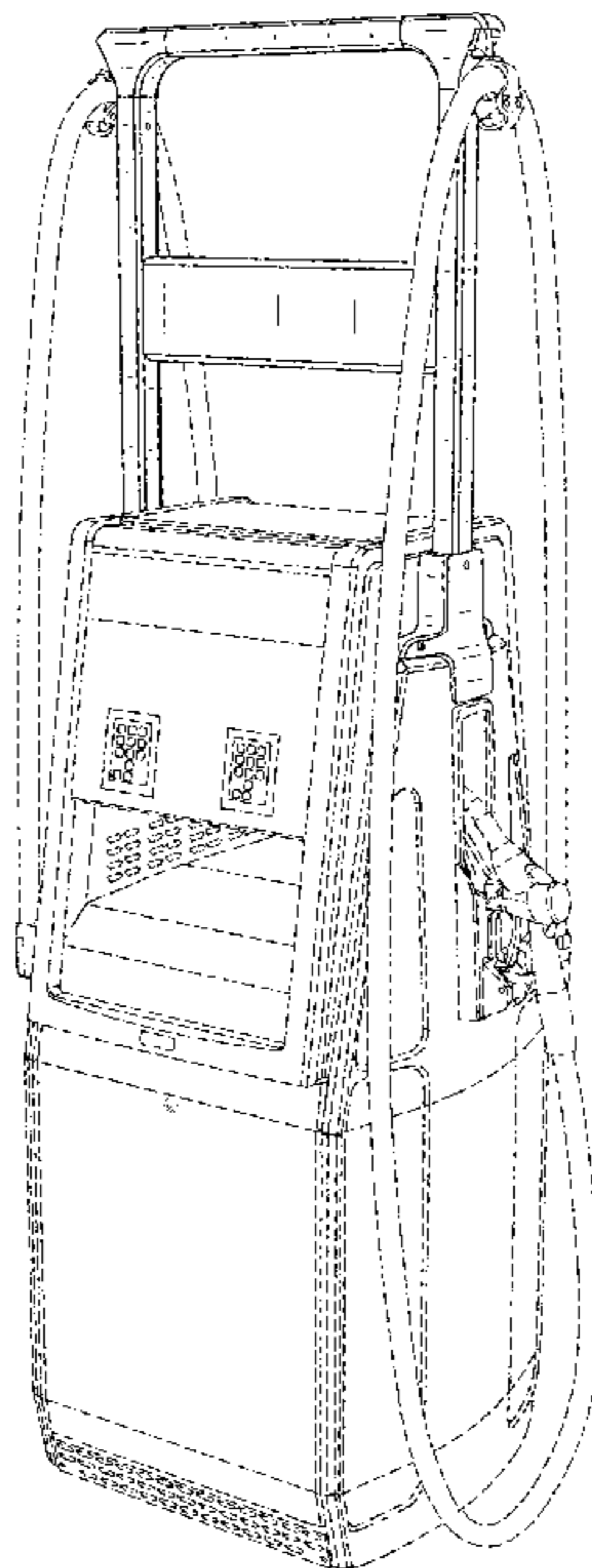


FIG. 1

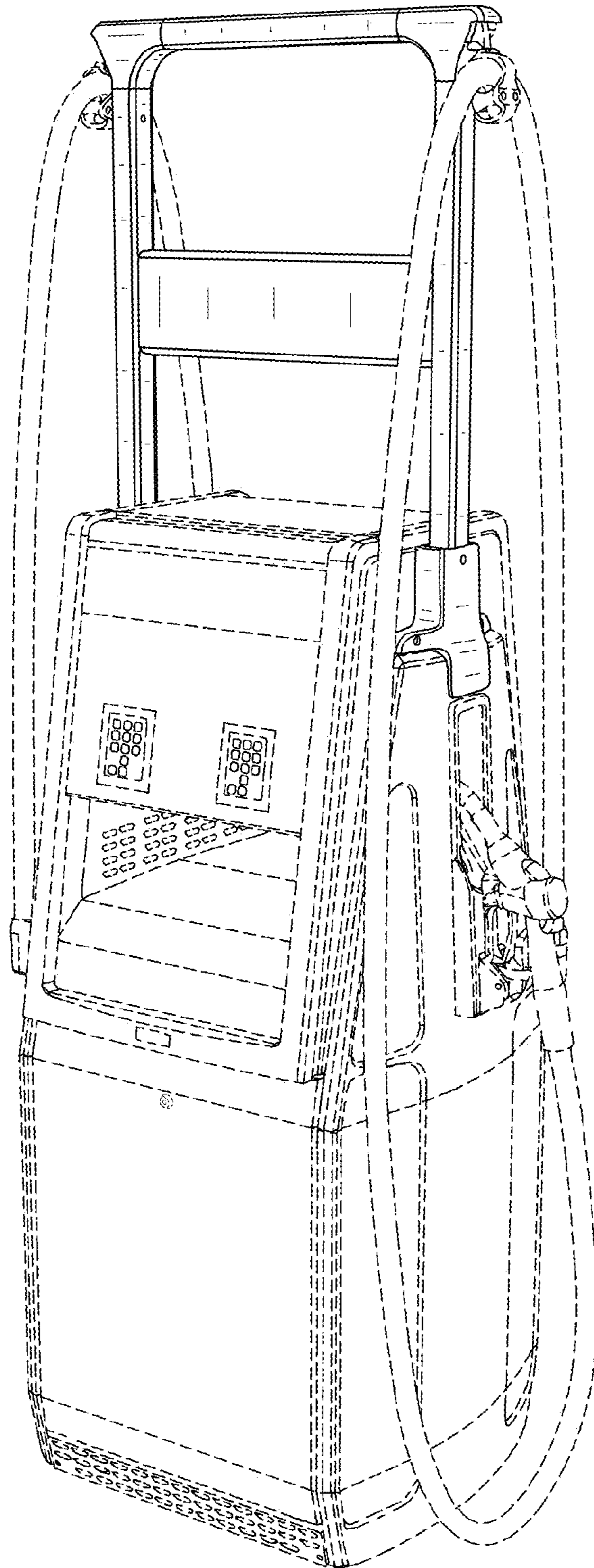


FIG. 2

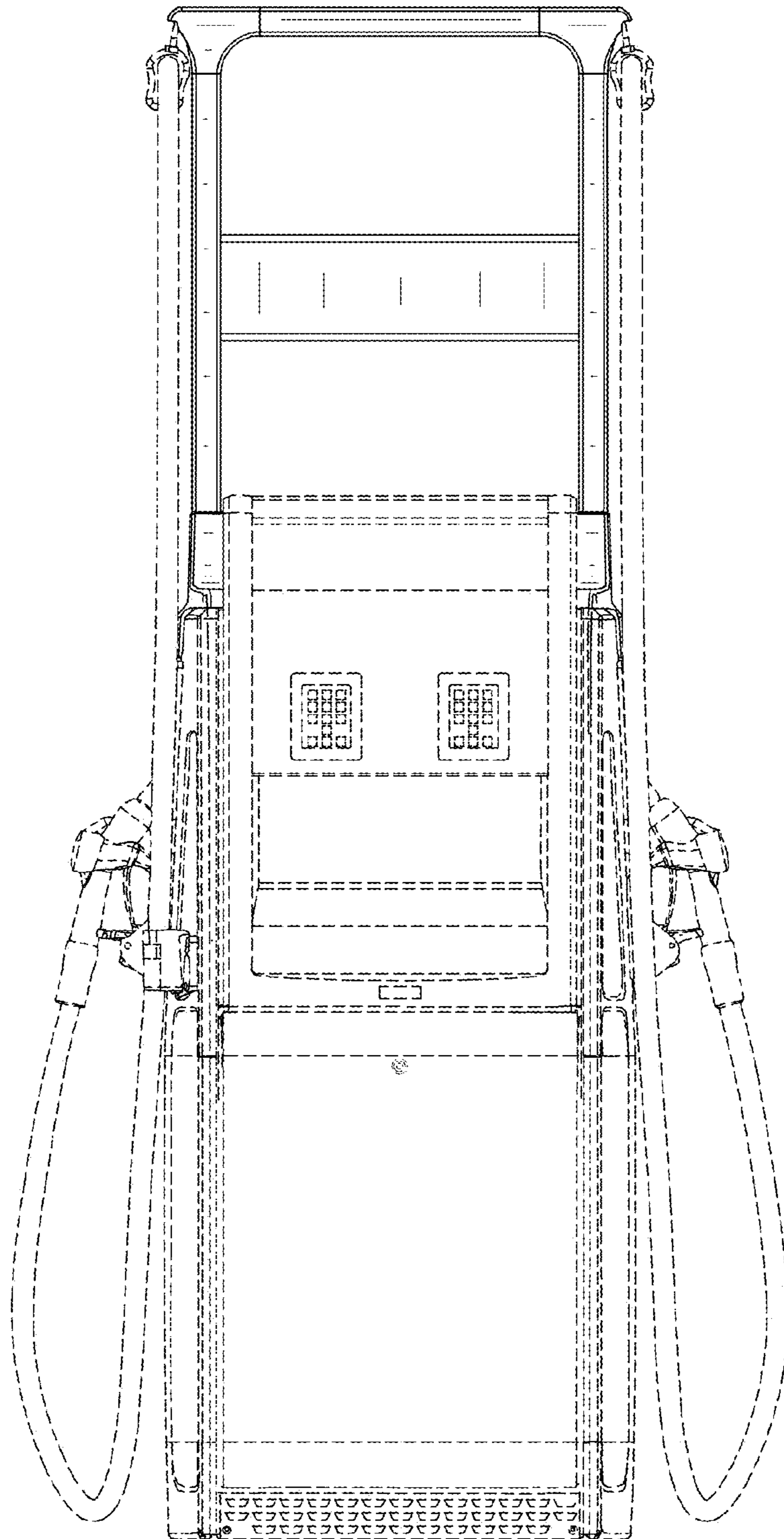


FIG. 3

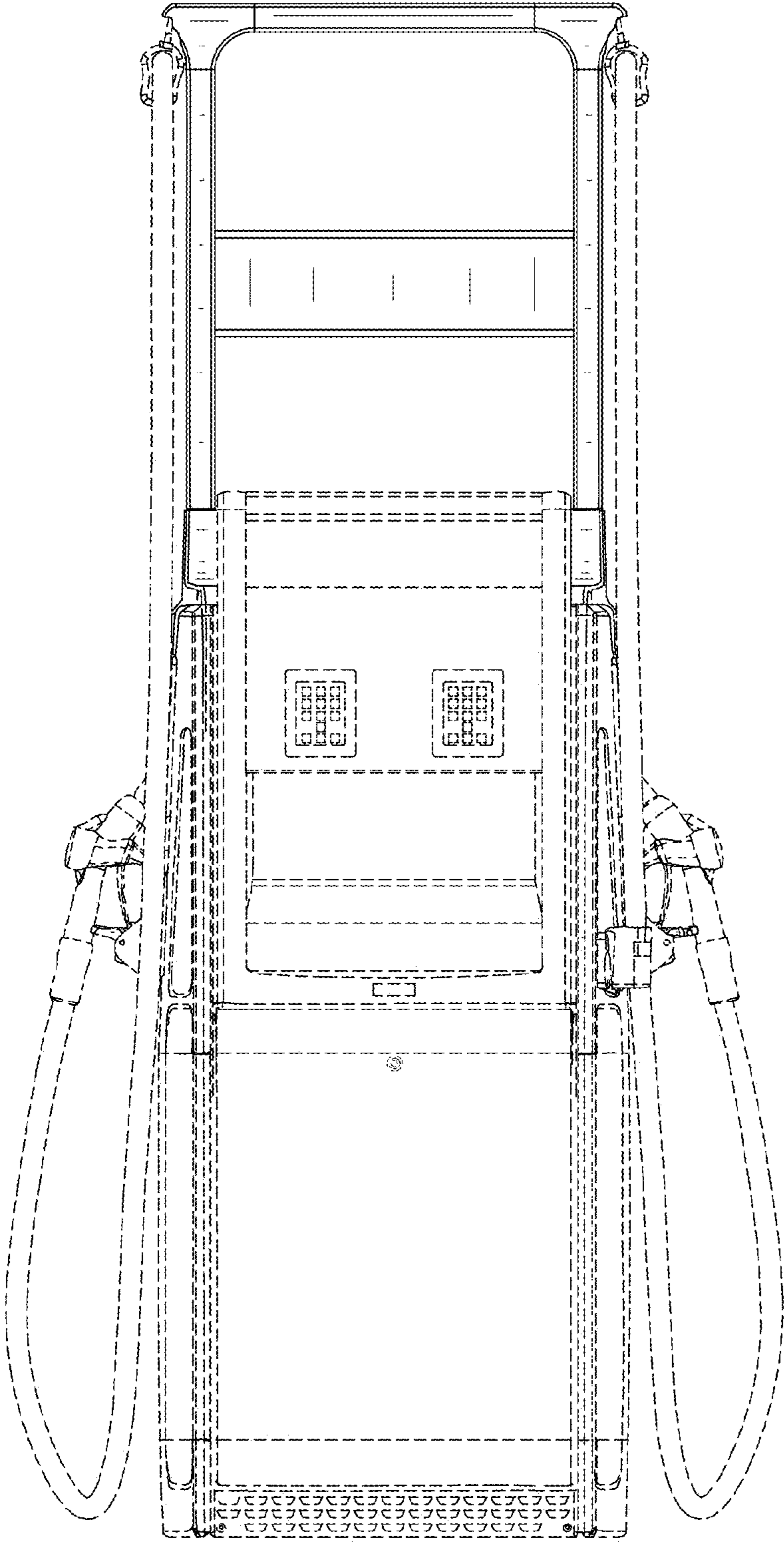


FIG. 4

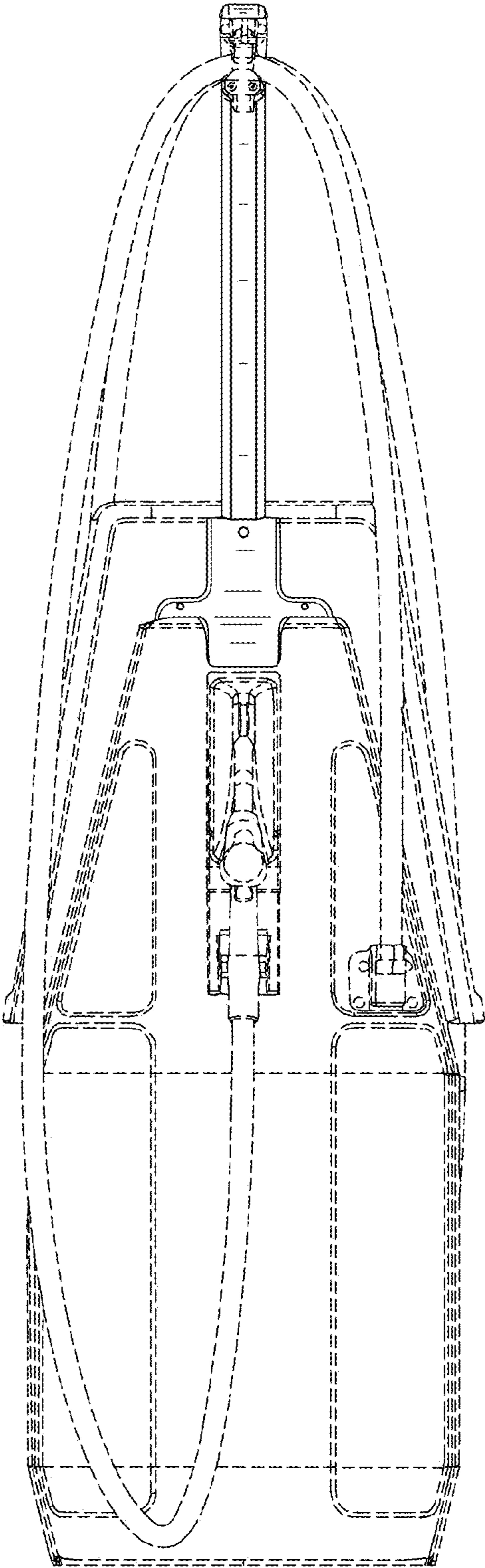


FIG. 5

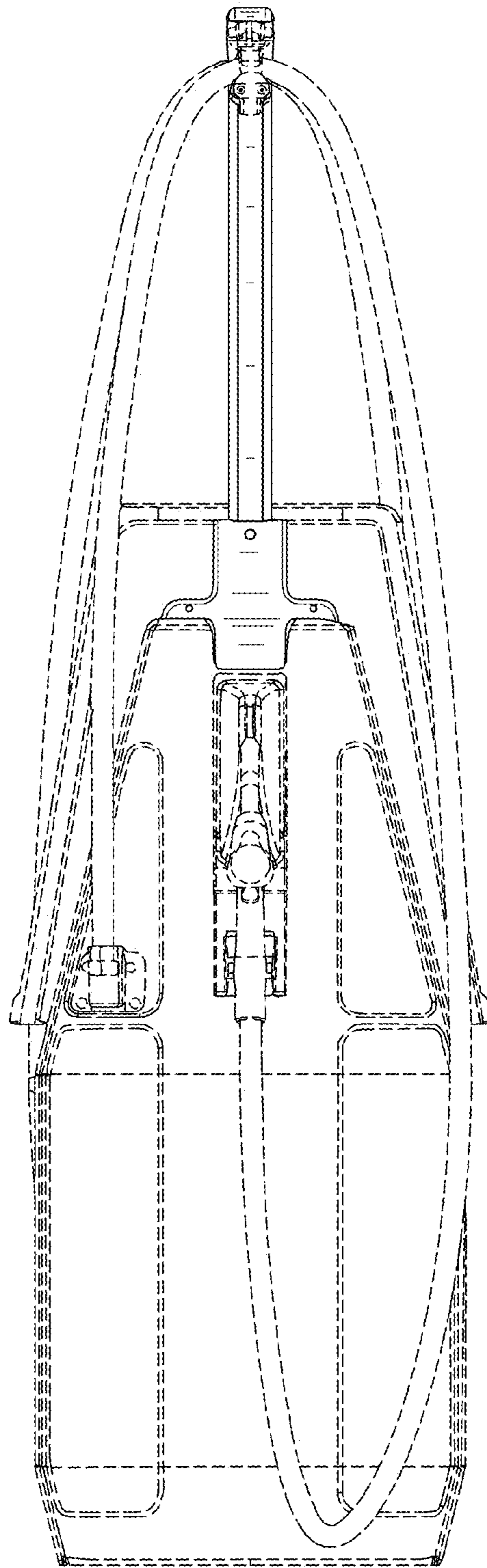


FIG. 6

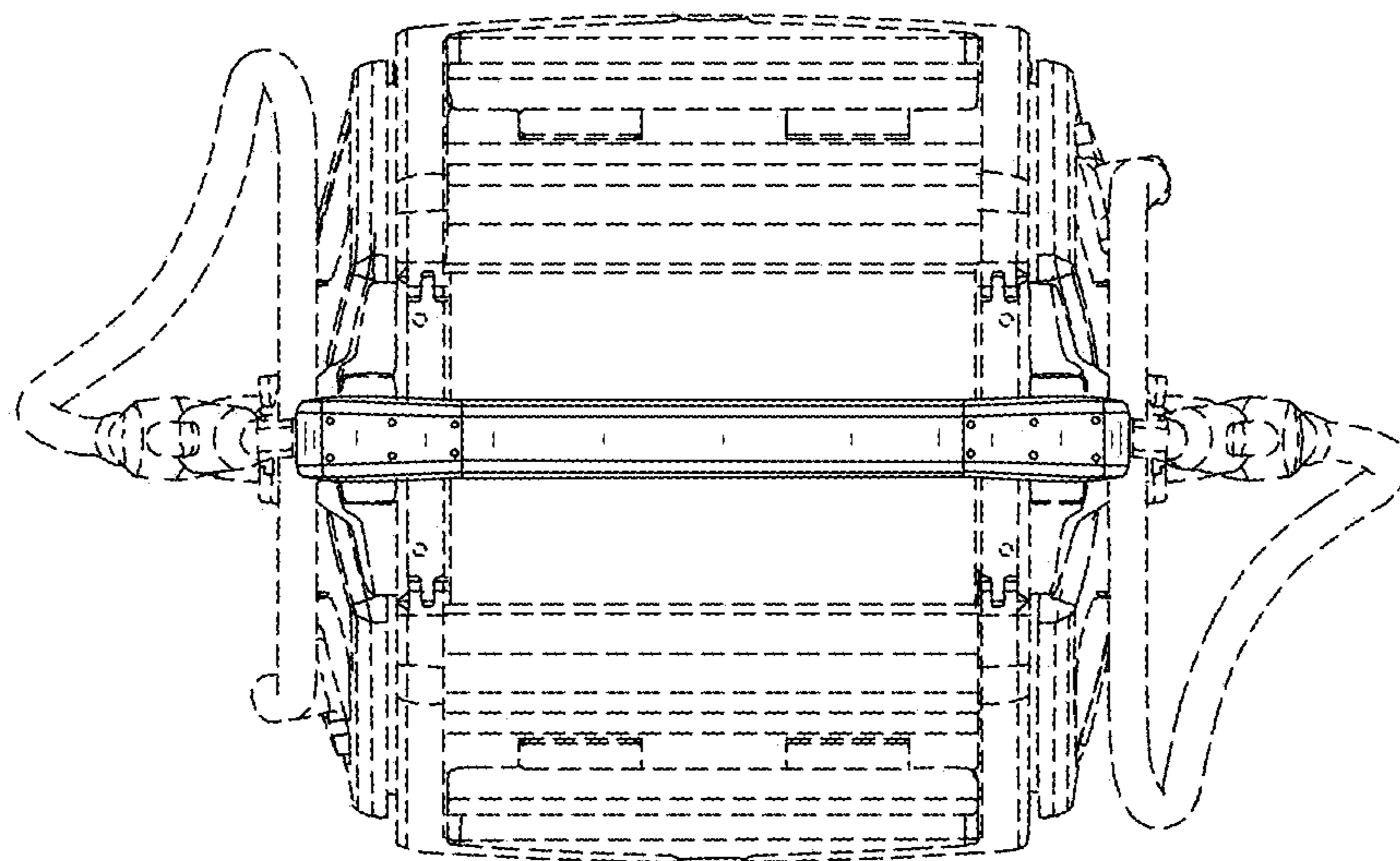


FIG. 7

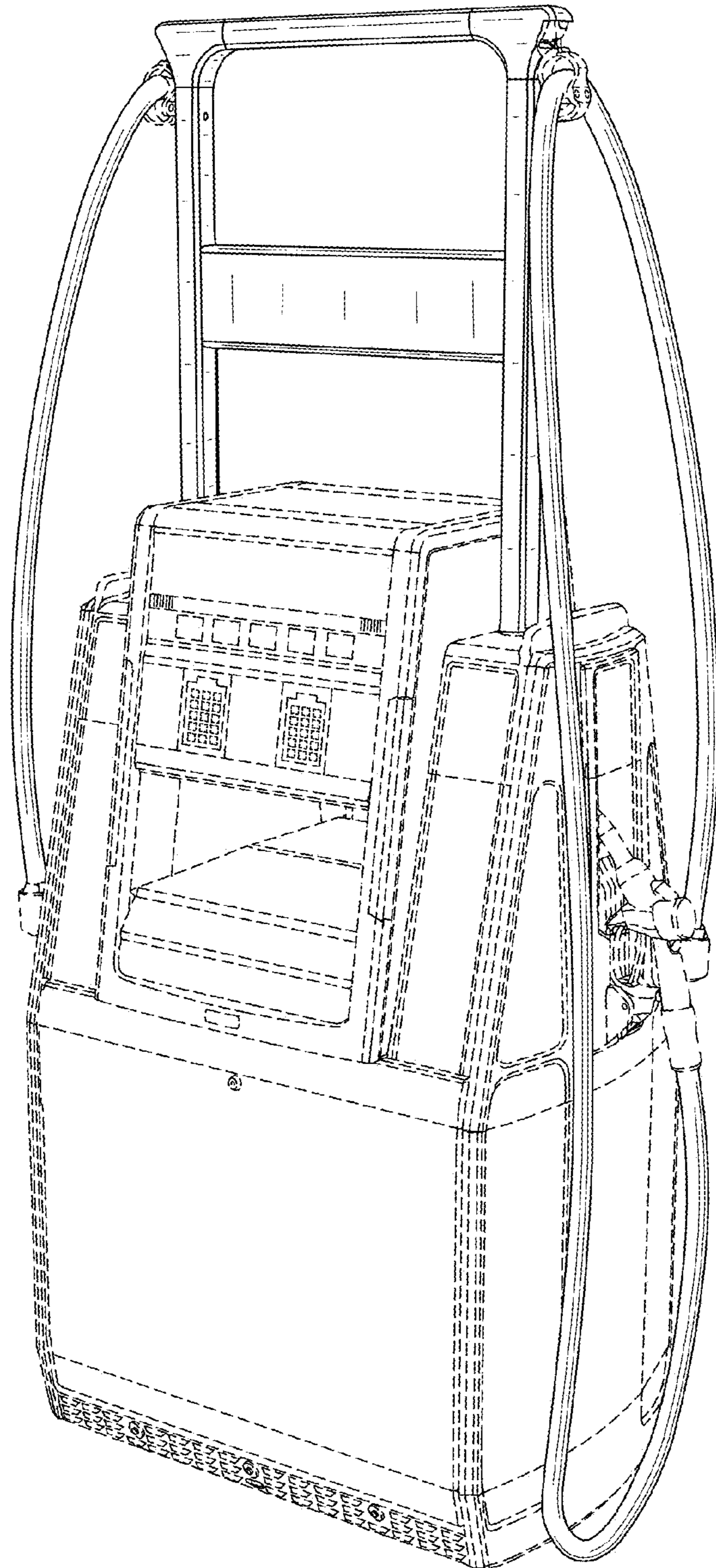




FIG. 8

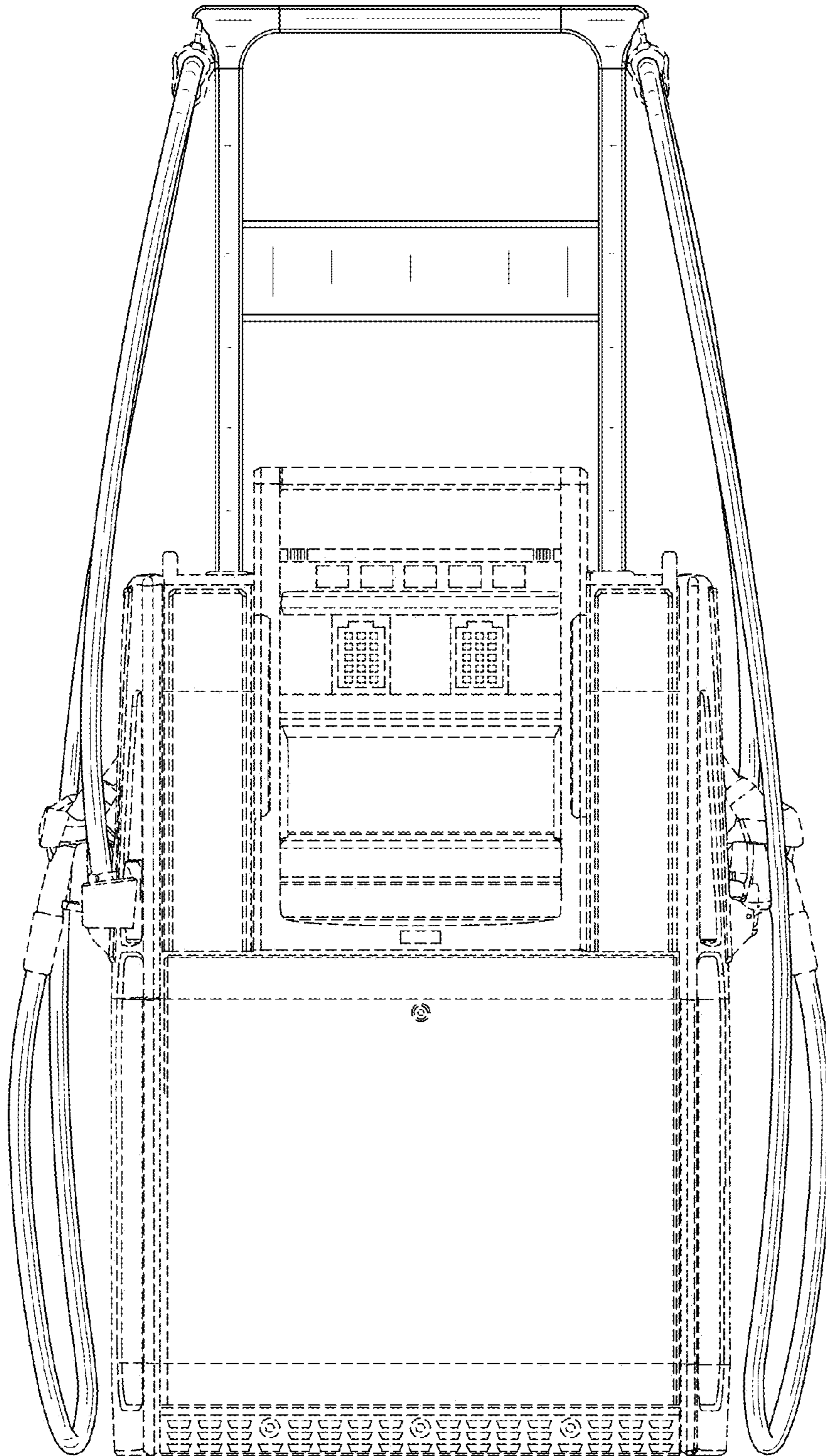


FIG. 9

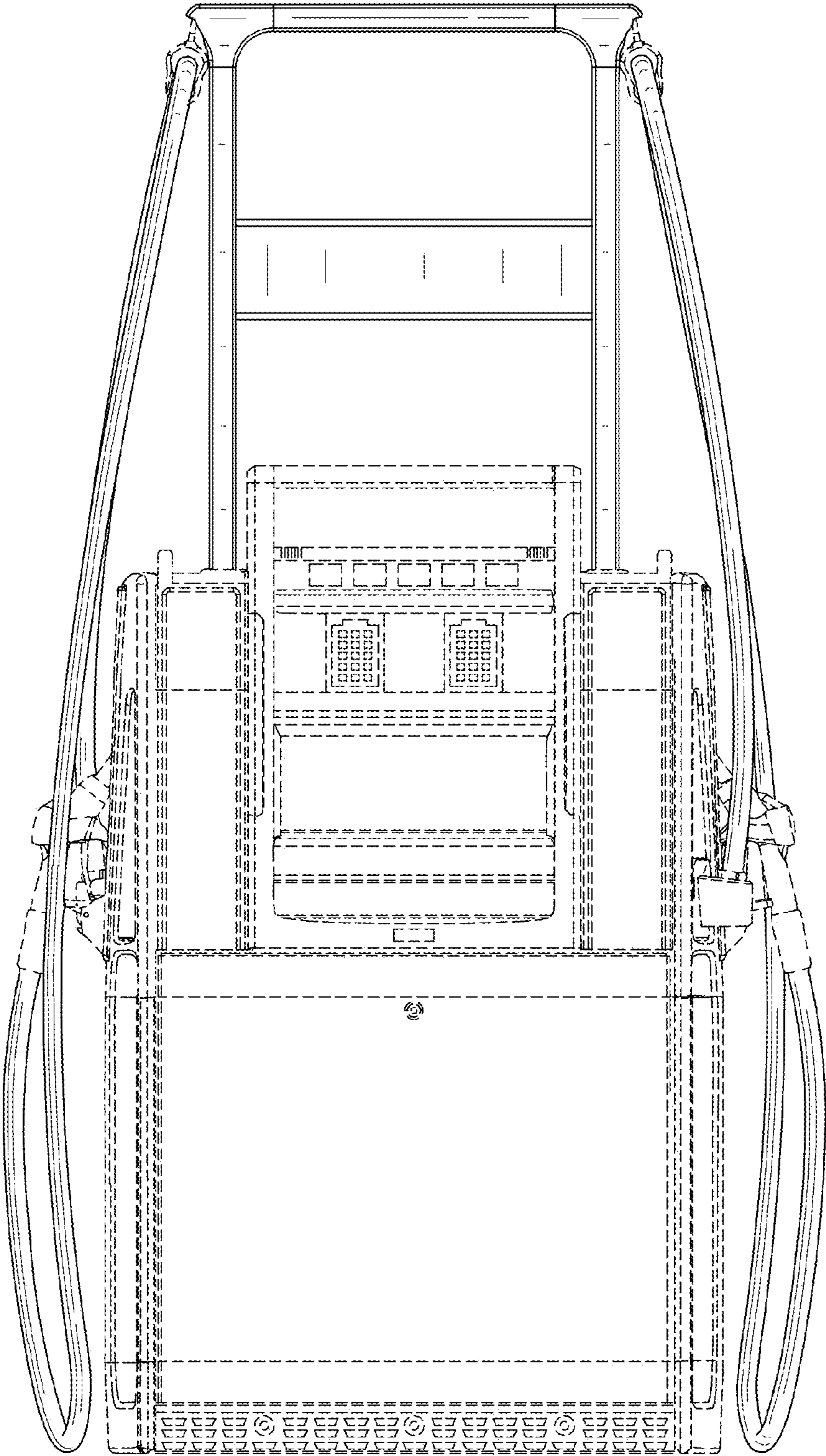


FIG. 10

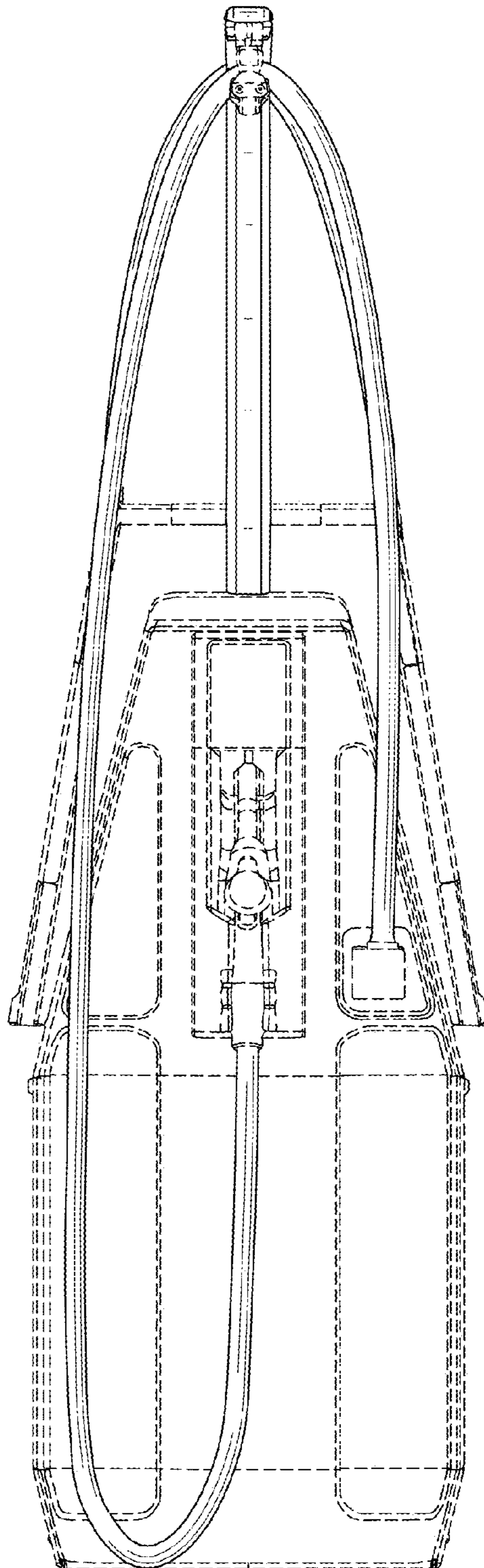


FIG. 11

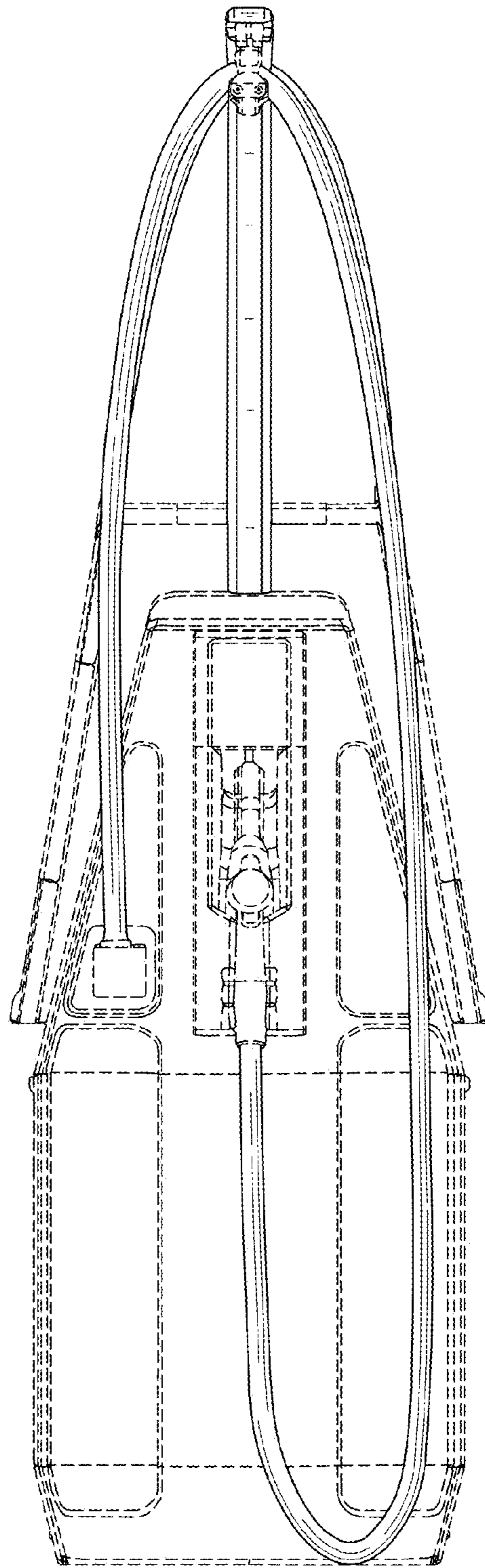


FIG. 12

