



US00D745058S

(12) **United States Design Patent**
Iversen et al.

(10) **Patent No.:** **US D745,058 S**

(45) **Date of Patent:** **** Dec. 8, 2015**

(54) **PUMP**

(71) Applicant: **Danfoss A/S**, Nordborg (DK)

(72) Inventors: **Frank Holm Iversen**, Padborg (DK);
Stig Andersen, Krusa (DK)

(73) Assignee: **Danfoss A/S**, Nordborg (DK)

(**) Term: **14 Years**

(21) Appl. No.: **29/525,073**

(22) Filed: **Apr. 27, 2015**

(30) **Foreign Application Priority Data**

Nov. 11, 2014 (EM) 002575456

(51) **LOC (10) Cl.** **15-02**

(52) **U.S. Cl.**
USPC **D15/7**

(58) **Field of Classification Search**

USPC D15/7-9; D23/231, 232, 225; 417/60,
417/235, 265, 321, 355, 358, 363, 359,
417/410.1, 415-416, 405, 900; 60/408,
60/412; 184/26-37; 415/140-147, 127;
123/495, 509; 137/565.34

CPC F02M 37/04; F02M 37/14

See application file for complete search history.

(56) **References Cited**

U.S. PATENT DOCUMENTS

D258,210	S	*	2/1981	Shure	D15/7
D335,292	S	*	5/1993	Schnell	D15/7
D466,523	S	*	12/2002	Saito	D15/9
D572,272	S	*	7/2008	Igarashi	D15/7
D657,799	S	*	4/2012	Jung	D15/7
D695,318	S	*	12/2013	Link	D15/9

* cited by examiner

Primary Examiner — Ralf Seifert

(74) *Attorney, Agent, or Firm* — McCormick, Paulding & Huber LLP

(57) **CLAIM**

The ornamental design for a pump, substantially as shown.

DESCRIPTION

FIG. 1 is a top, left-hand side perspective view of a pump comprising a new, original and ornamental design;

FIG. 2 is a front view thereof;

FIG. 3 is a left-hand side view thereof;

FIG. 4 is a right-hand side view thereof;

FIG. 5 is a back view thereof;

FIG. 6 is a top view thereof; and,

FIG. 7 is a bottom view thereof.

1 Claim, 7 Drawing Sheets





FIG. 1

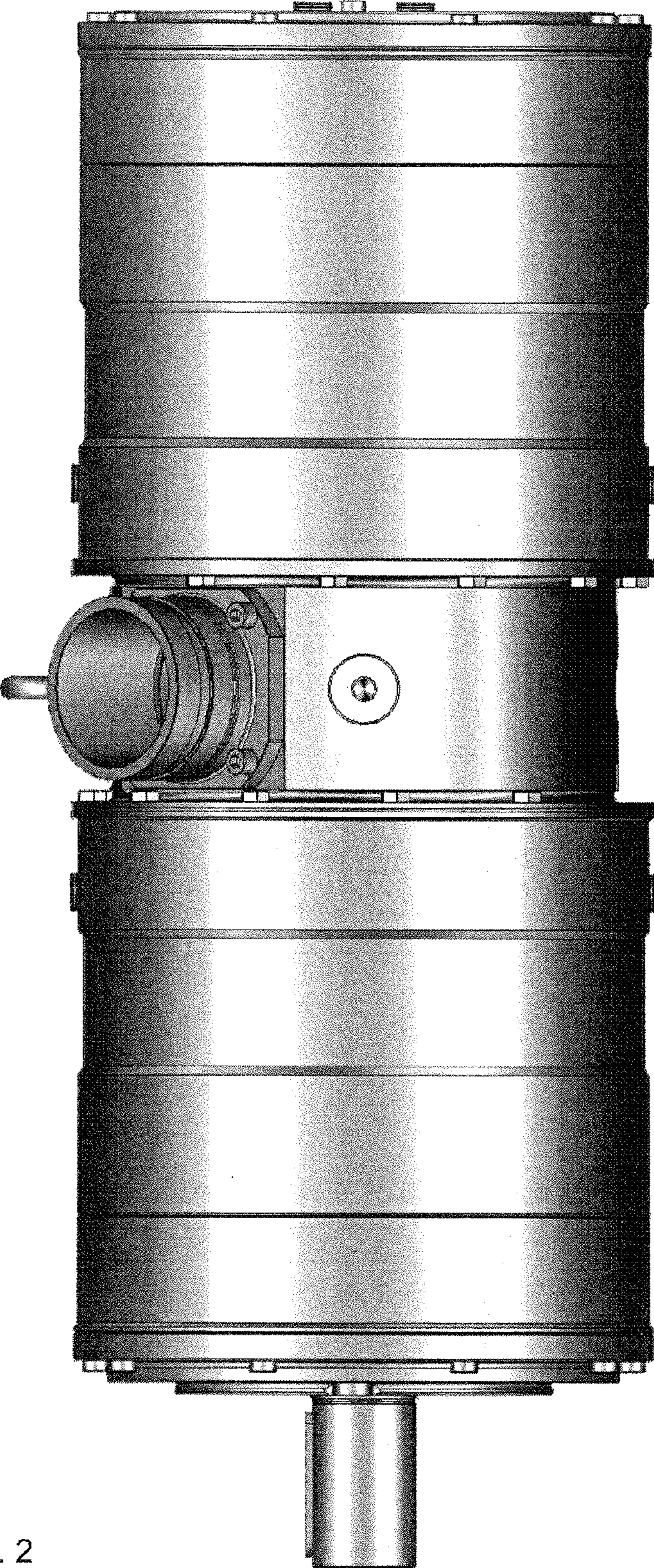


FIG. 2

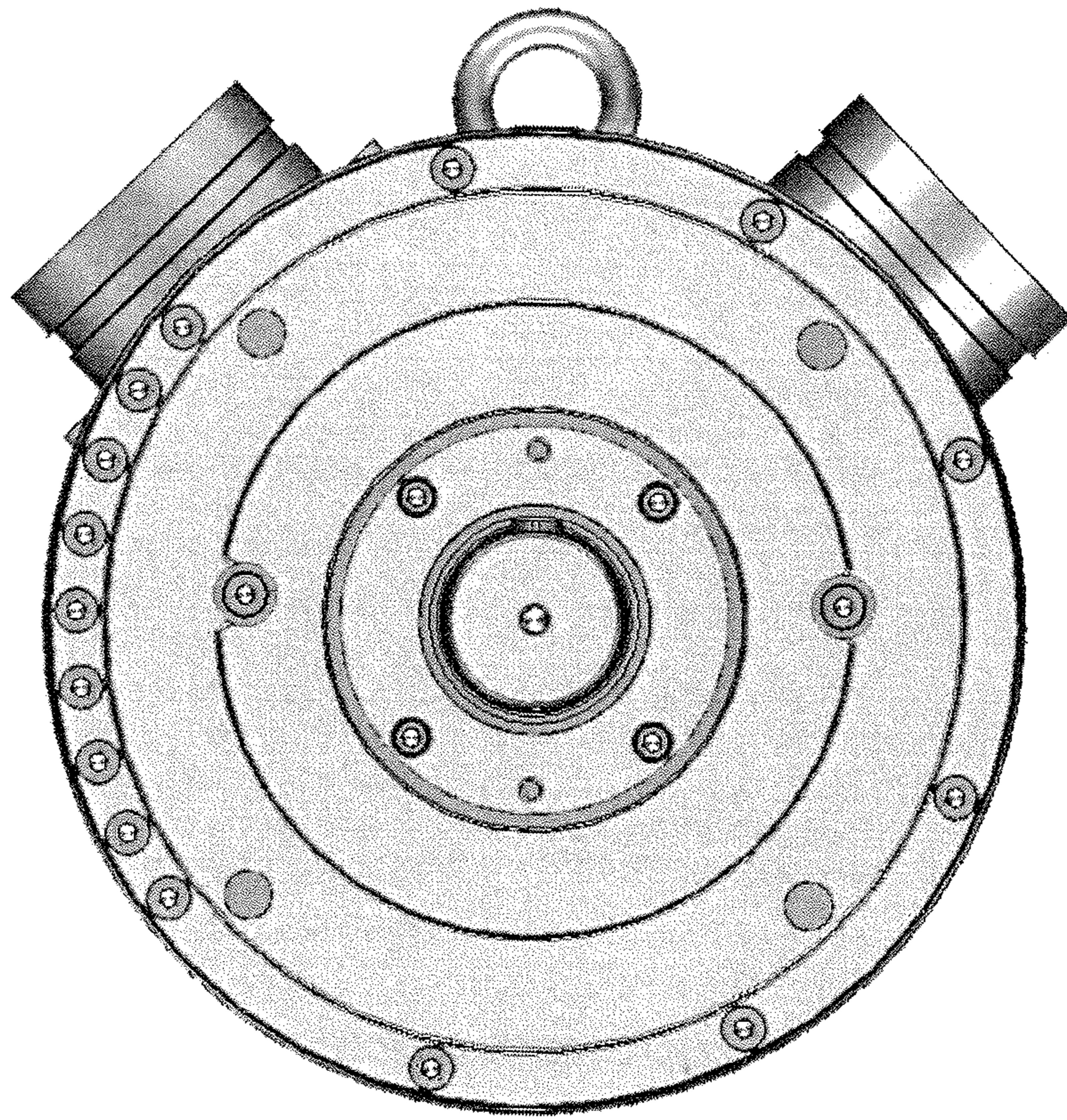


FIG. 3

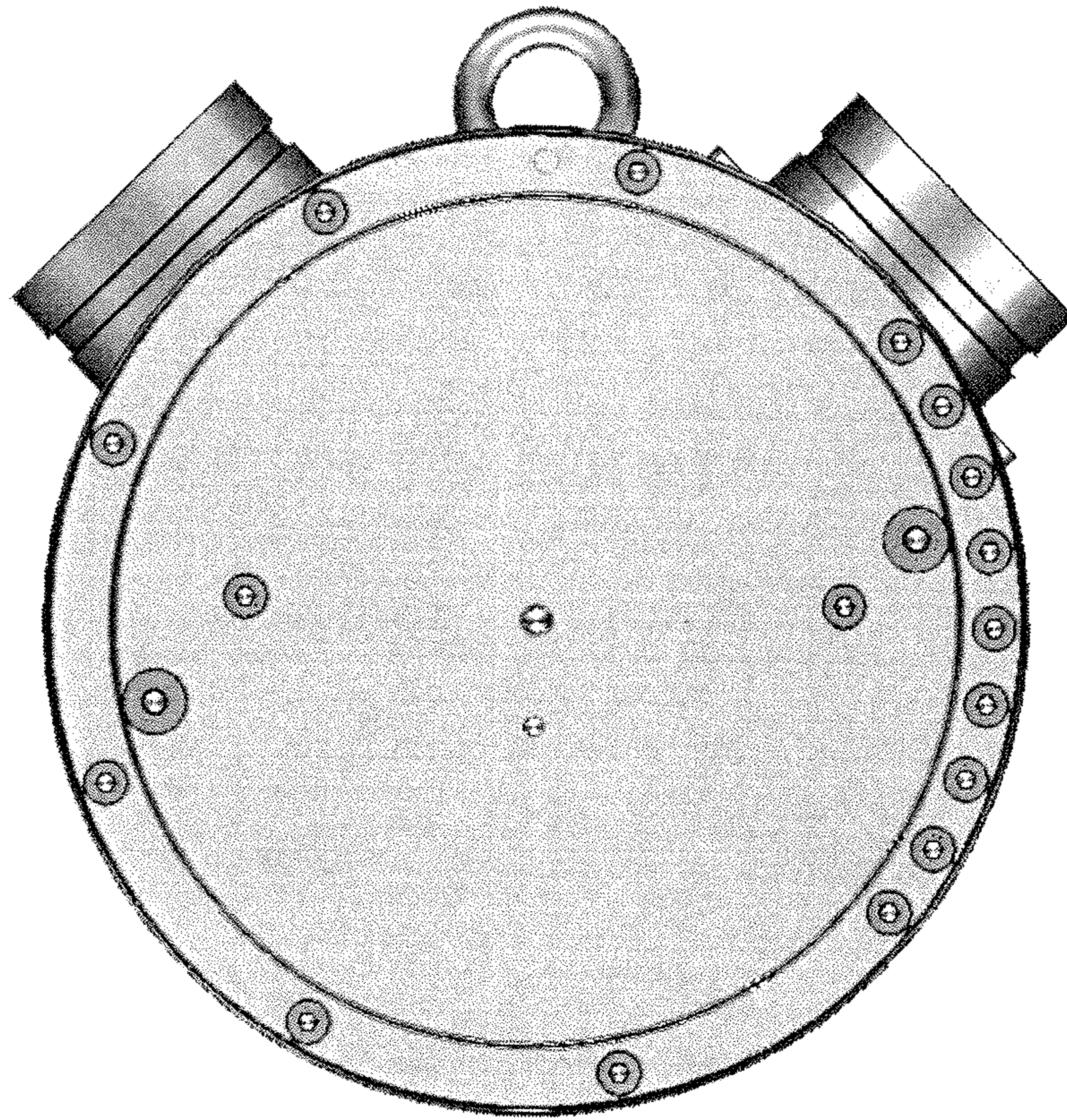


FIG. 4

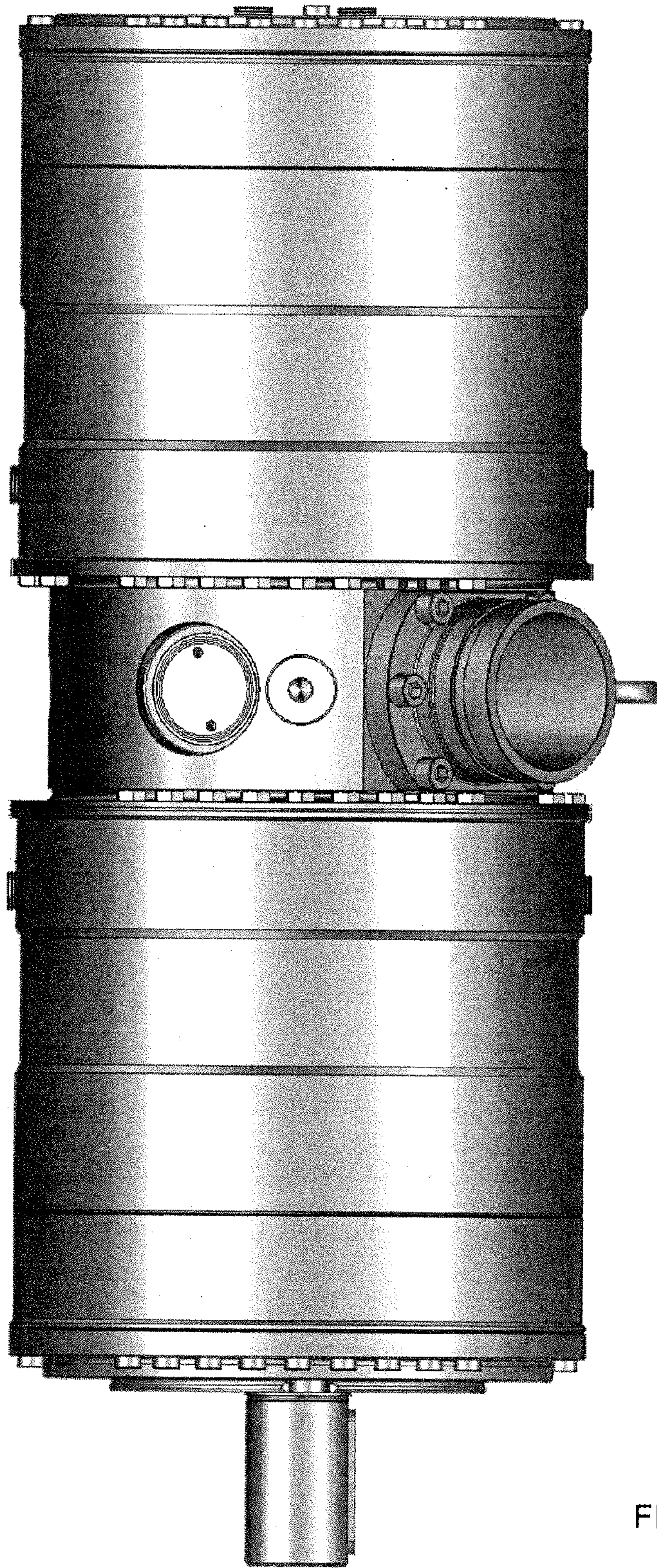


FIG. 5

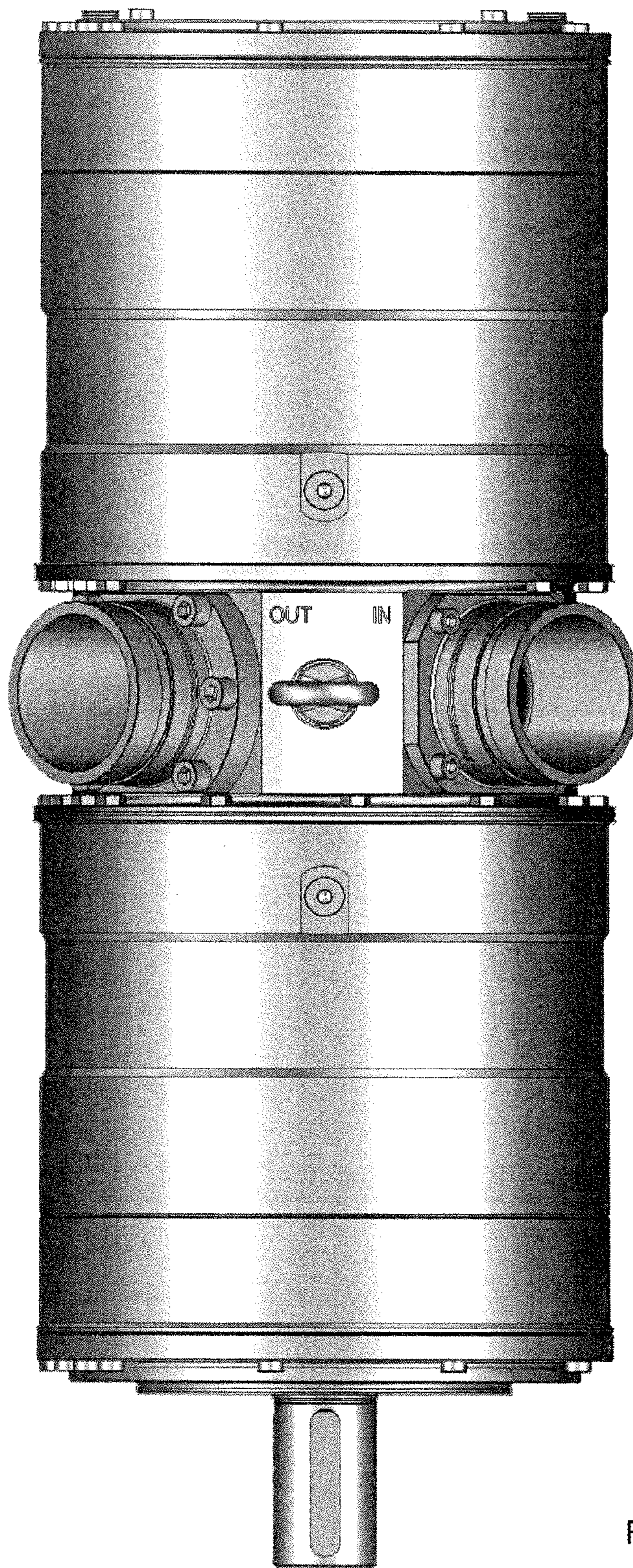


FIG. 6

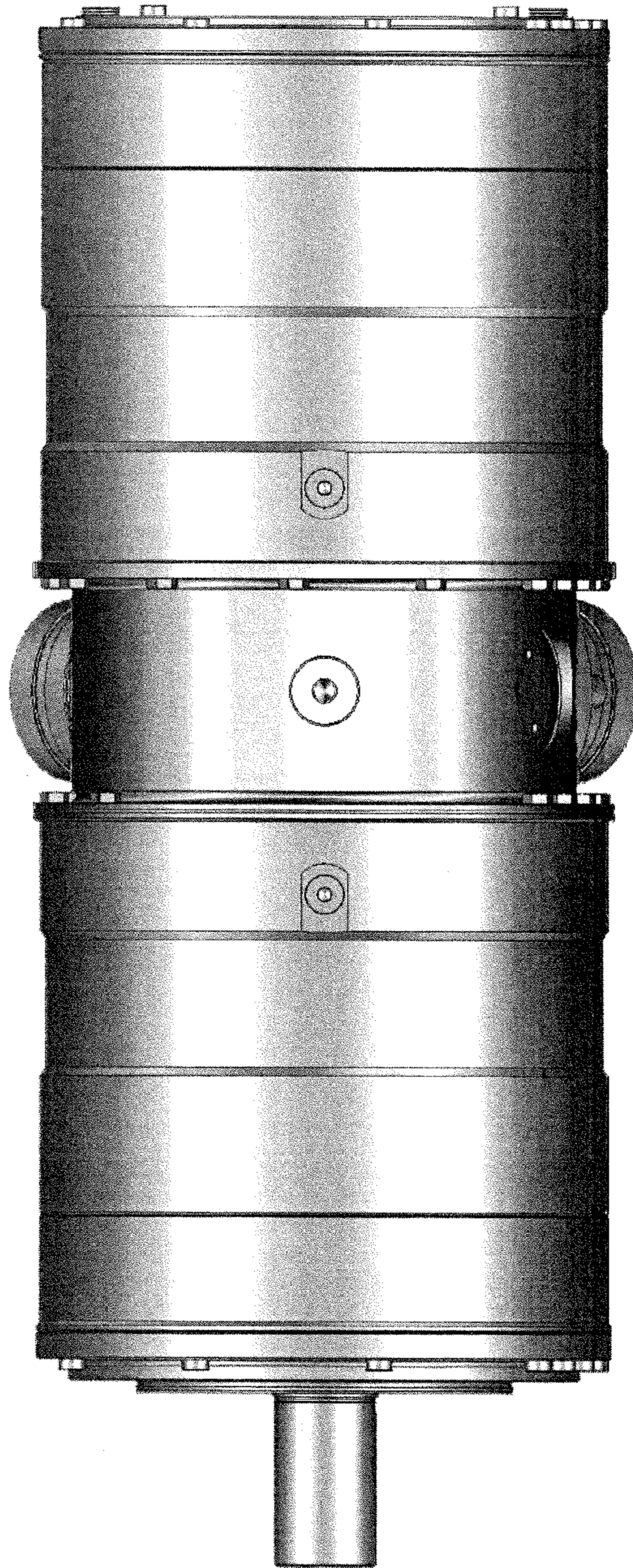


FIG. 7