



US00D745057S

(12) **United States Design Patent**
Lee

(10) **Patent No.:** **US D745,057 S**
(45) **Date of Patent:** **** Dec. 8, 2015**

(54) **CYLINDER FOR PNEUMATIC AUTOMOTIVE LIFTING DEVICE**

(71) Applicant: **Steven David Lee**, Kailua, HI (US)

(72) Inventor: **Steven David Lee**, Kailua, HI (US)

(73) Assignee: **Stealth Innovative Systems, LLC**,
Kailua, HI (US)

(**) Term: **14 Years**

(21) Appl. No.: **29/515,751**

(22) Filed: **Jan. 26, 2015**

Related U.S. Application Data

(63) Continuation-in-part of application No. 29/421,230, filed on Jun. 14, 2012, now Pat. No. Des. 731,555, which is a continuation-in-part of application No. 29/395,808, filed on Apr. 3, 2012, now Pat. No. Des. 704,225, which is a continuation-in-part of application No. 29/395,809, filed on Apr. 3, 2012, now Pat. No. Des. 704,226.

(51) **LOC (10) Cl.** **15-01**

(52) **U.S. Cl.**
USPC **D15/5**

(58) **Field of Classification Search**
USPC D15/1-9; 417/410.1, 359, 415, 416, 417/234, 321, 265, 405; D23/231, 232; 123/193.3, 307; D12/159; 280/5.514, 280/124.145; 267/195, 203
CPC F04B 39/0016; B60G 17/08
See application file for complete search history.

(56) **References Cited**

U.S. PATENT DOCUMENTS

4,697,796 A * 10/1987 Kitamura B60G 11/30
267/195
6,193,482 B1 * 2/2001 Chen F04B 39/0016
417/545
8,371,588 B2 * 2/2013 Kohlhauser B60G 11/16
280/124.147

8,408,561 B2 * 4/2013 Mochizuki B60G 17/027
267/64.17
D704,225 S * 5/2014 Lee D15/5
D704,226 S * 5/2014 Lee D15/5
D730,406 S * 5/2015 Lee D15/5
2008/0127818 A1 * 6/2008 Dye B21K 1/18
92/186
2012/0098216 A1 * 4/2012 Ryan B60G 17/021
280/6.157
2013/0221626 A1 * 8/2013 Lee B60G 17/08
280/5.514
2015/0247544 A1 * 9/2015 Hall B60G 17/0152
188/299.1

* cited by examiner

Primary Examiner — T. Chase Nelson

Assistant Examiner — Ania Aman

(74) *Attorney, Agent, or Firm* — Martin E. Hsia; Keri Ann K. S. Krzykowski

(57) **CLAIM**

The ornamental design for a cylinder for pneumatic automotive lifting device, as shown and described.

DESCRIPTION

FIG. 1 is a perspective view of a first presently preferred embodiment of the cylinder for pneumatic automotive lifting device of my new design;

FIG. 2 is an elevational view thereof from the left, the elevational view from the right being the mirror image thereof;

FIG. 3 is a top plan view thereof;

FIG. 4 is a bottom plan view thereof;

FIG. 5 is a perspective cut-away view thereof along the line 5-5 in FIG. 1;

FIG. 6 is a perspective view of a second presently preferred embodiment of the cylinder for pneumatic automotive lifting device of my new design;

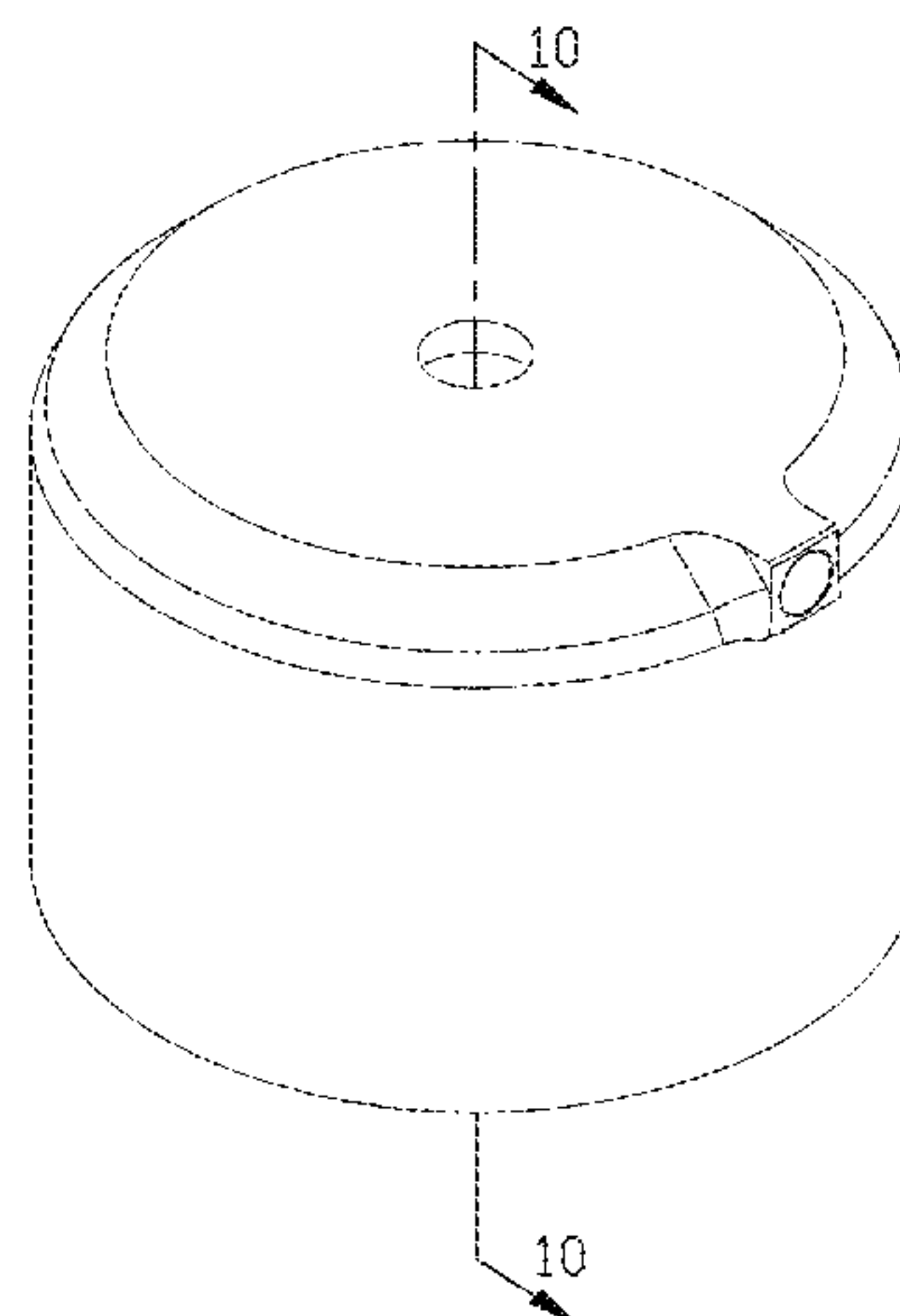
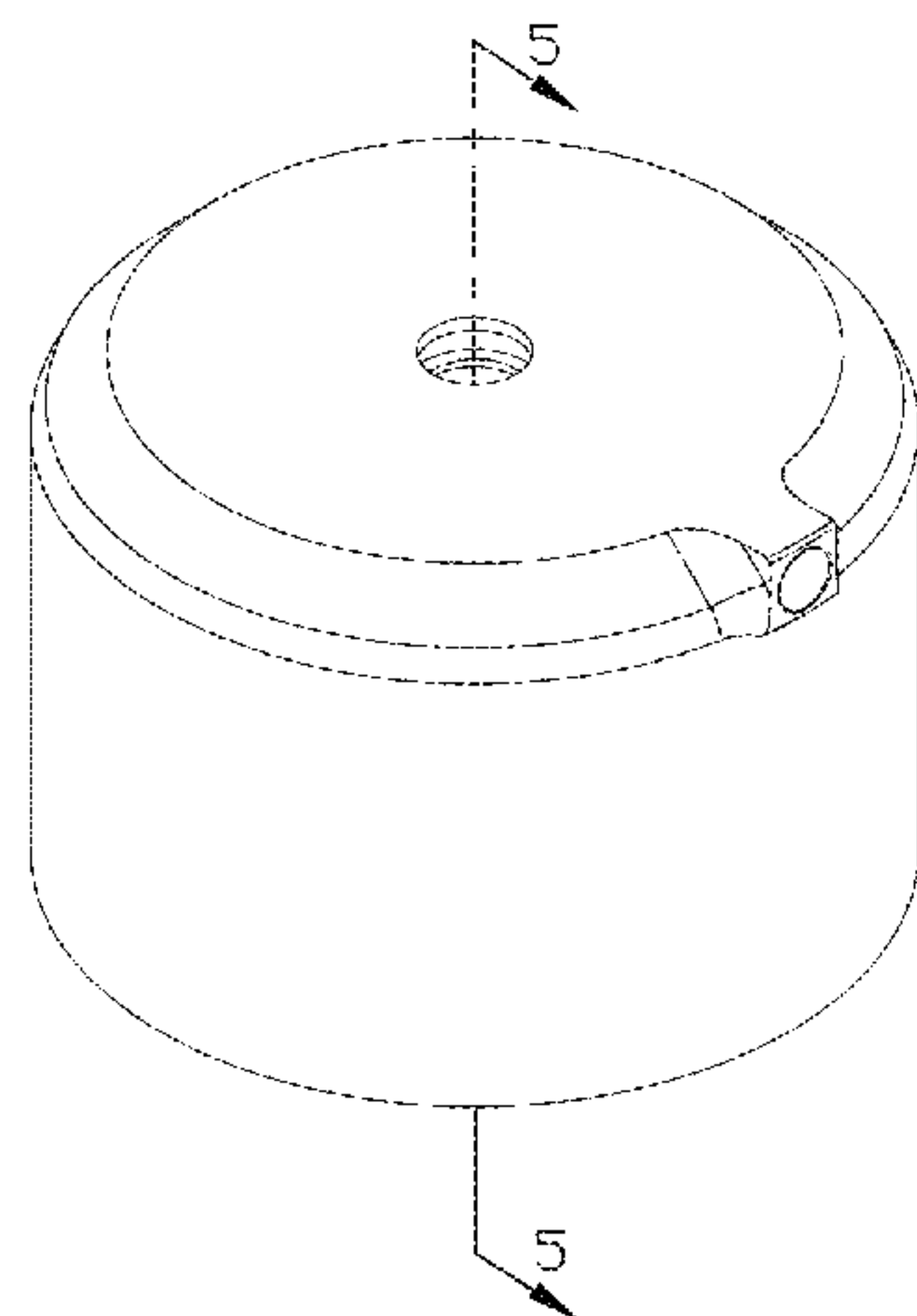
FIG. 7 is an elevational view thereof from the left, the elevational view from the right being the mirror image thereof;

FIG. 8 is a top plan view thereof;

FIG. 9 is a bottom plan view thereof; and,

FIG. 10 is a perspective cut-away view thereof along the line 10-10 in FIG. 6.

1 Claim, 2 Drawing Sheets



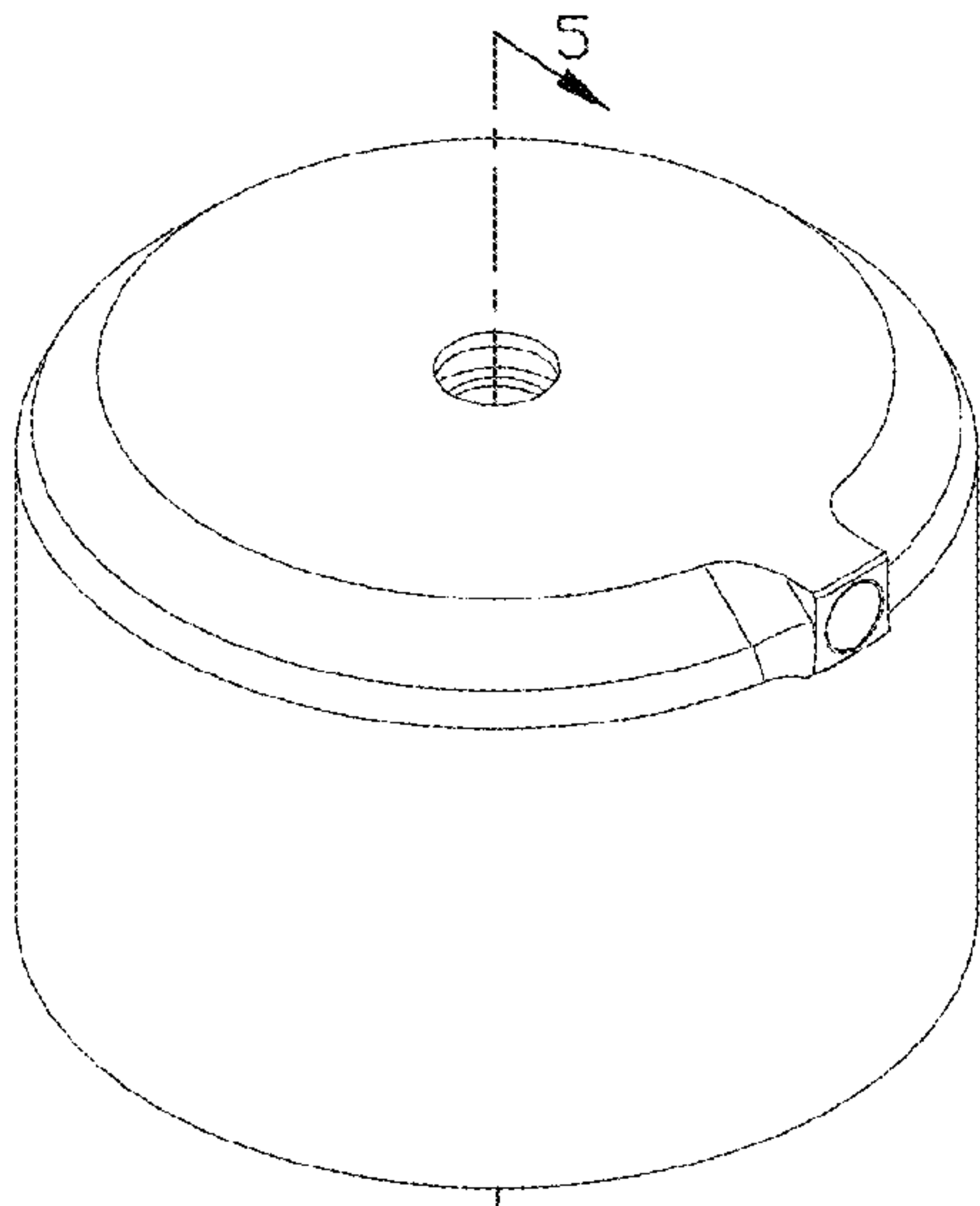


FIG. 1

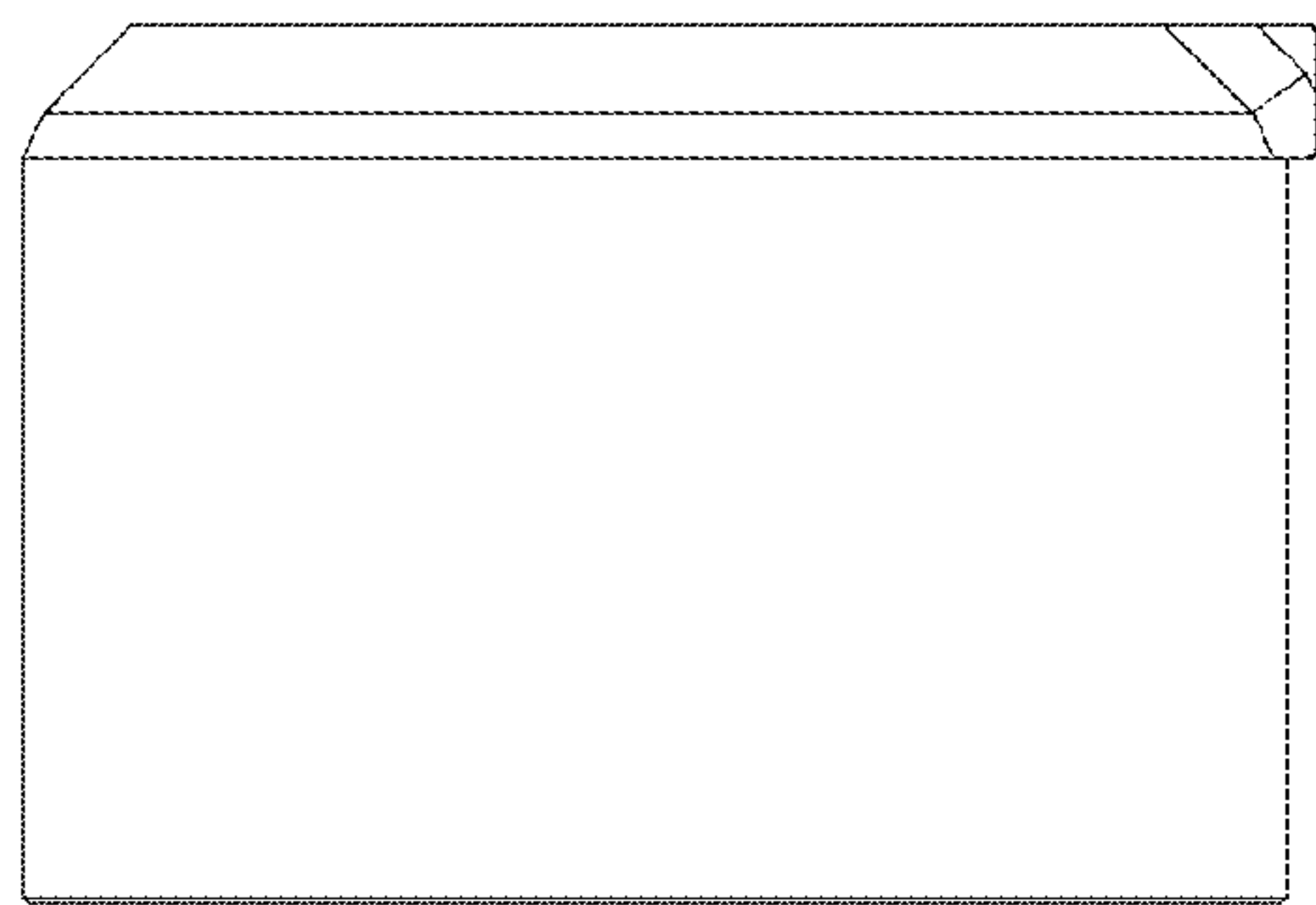


FIG. 2

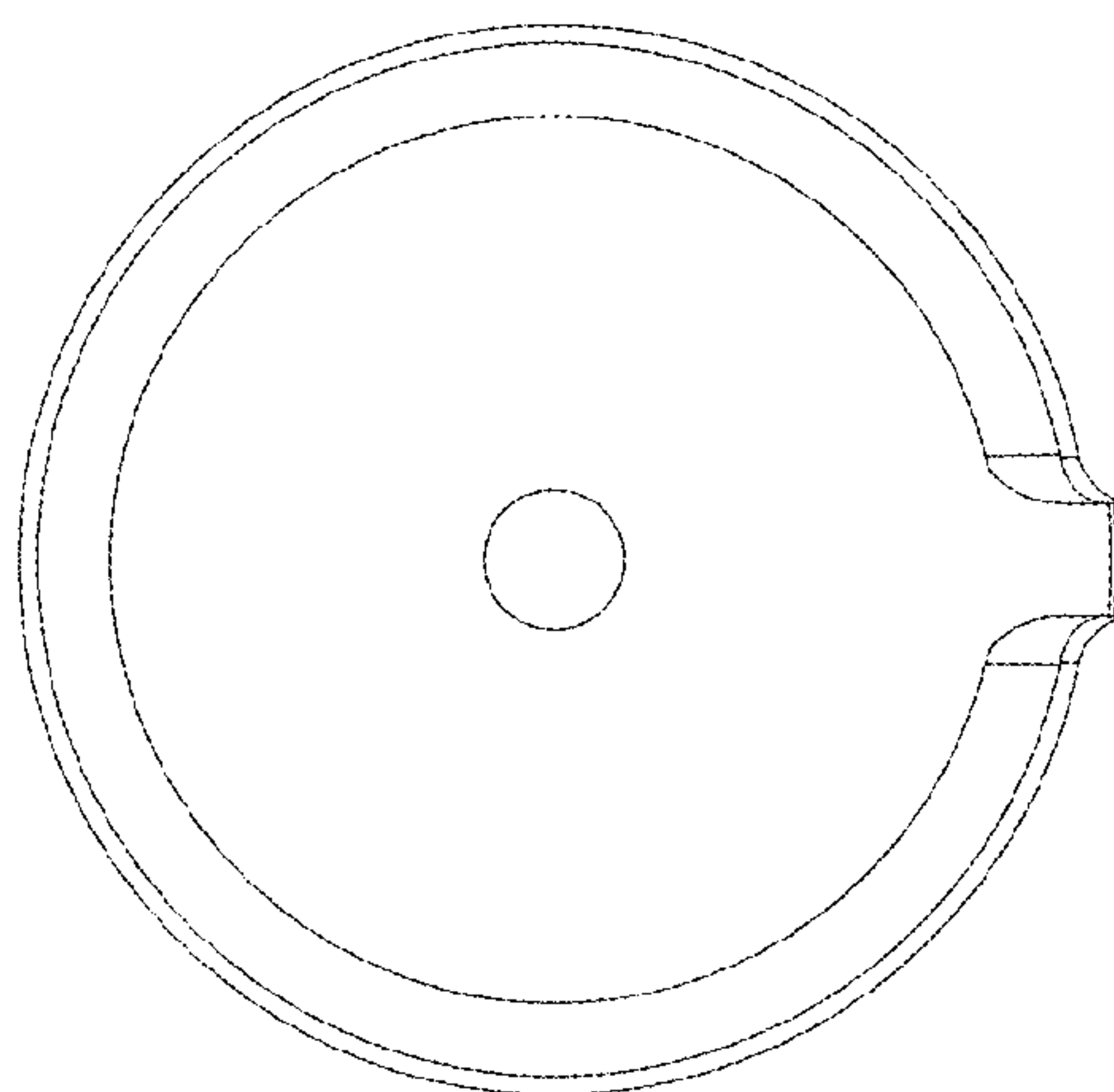


FIG. 3

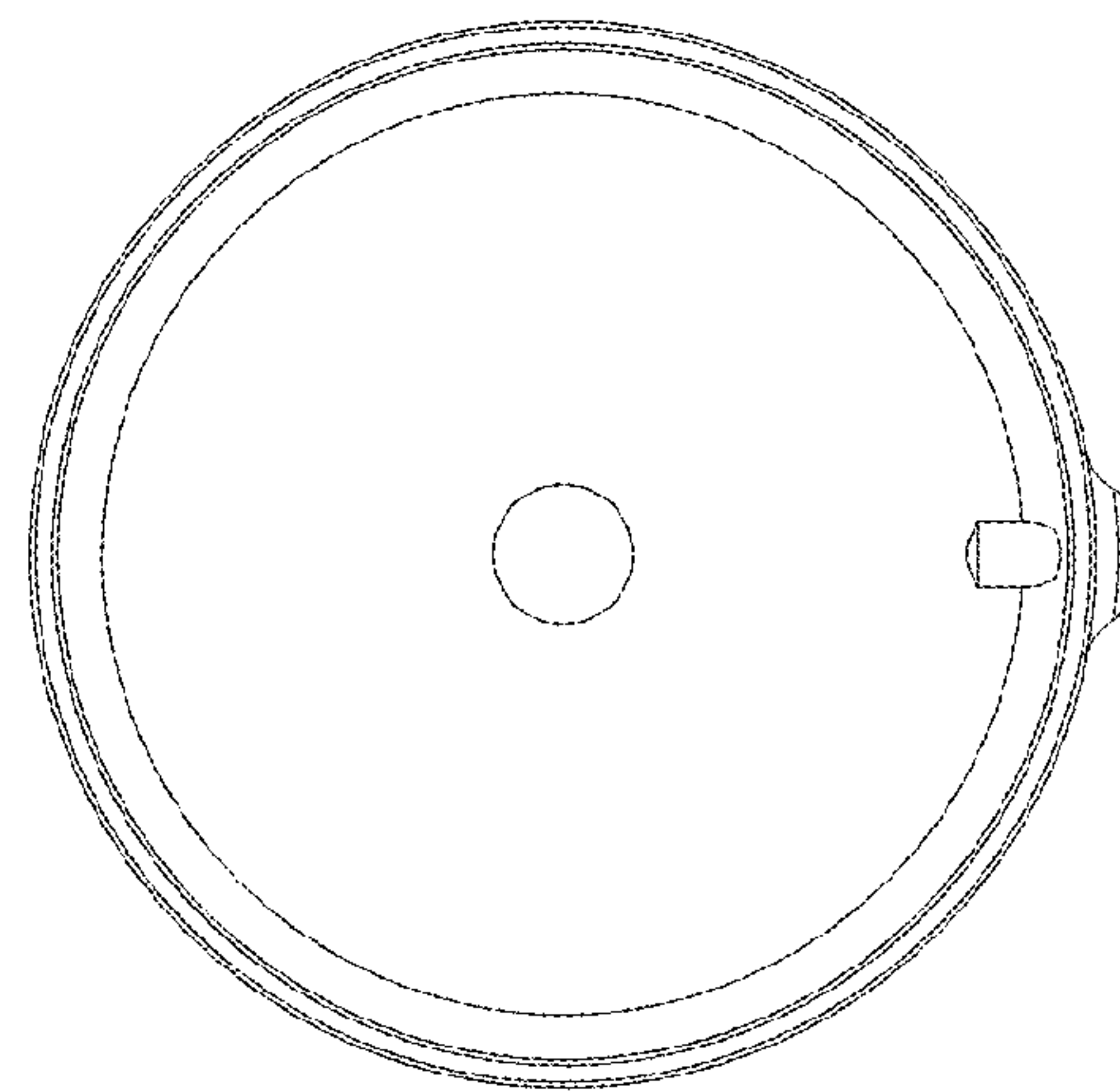


FIG. 4

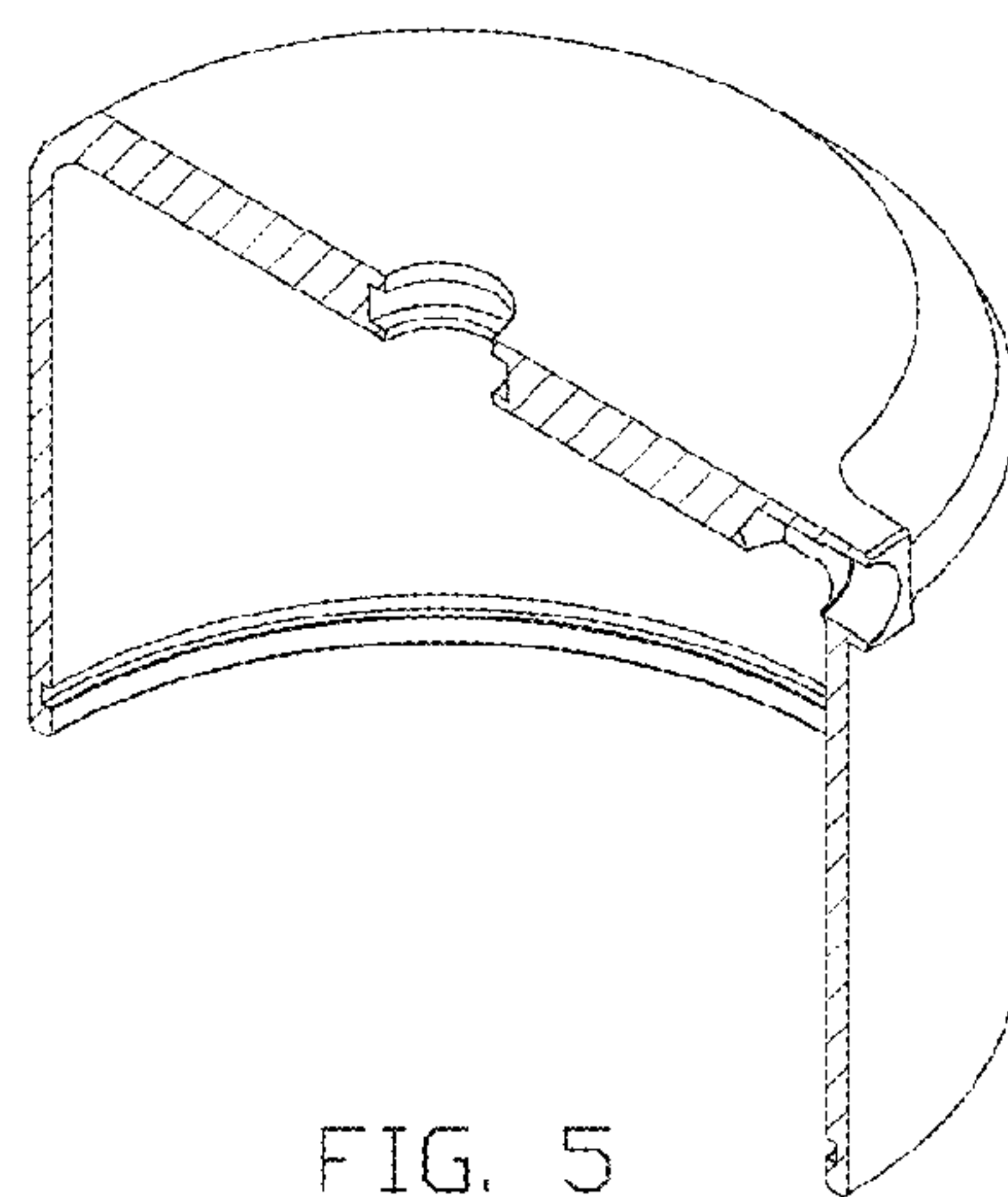


FIG. 5

