



US00D745056S

(12) **United States Design Patent**
Eybergen et al.

(10) **Patent No.:** **US D745,056 S**

(45) **Date of Patent:** **** Dec. 8, 2015**

(54) **BLOWER HOUSING**

(75) Inventors: **William Nicholas Eybergen**, Harrison Township, MI (US); **Kelly Ann Williams**, South Lyon, MI (US)

(73) Assignee: **Eaton Corporation**, Cleveland, OH (US)

(**) Term: **14 Years**

(21) Appl. No.: **29/423,688**

(22) Filed: **Jun. 4, 2012**

(51) **LOC (10) Cl.** **15-01**

(52) **U.S. Cl.**
USPC **D15/5**

(58) **Field of Classification Search**
USPC D15/5, 7, 9; 29/888.023, 888.3; 415/173.4

See application file for complete search history.

(56) **References Cited**

U.S. PATENT DOCUMENTS

2,463,080	A *	3/1949	Beier	418/206.6
3,859,014	A	1/1975	Dworak et al.	
4,768,934	A *	9/1988	Soeters, Jr.	418/1
5,131,829	A *	7/1992	Hampton	418/189
6,176,693	B1 *	1/2001	Conti	418/180
6,325,604	B1	12/2001	Du	
6,758,661	B1 *	7/2004	Thelen	418/206.4
7,150,612	B2 *	12/2006	Komatsu et al.	418/206.1
7,488,164	B2	2/2009	Swartzlander	
7,726,286	B2 *	6/2010	Prior et al.	123/559.1
D627,368	S *	11/2010	Yan et al.	D15/5
7,866,966	B2	1/2011	Swartzlander	
7,997,885	B2 *	8/2011	Allum	418/189
8,075,293	B2	12/2011	Ouwenga et al.	
8,096,288	B2	1/2012	Ouwenga et al.	
8,096,797	B2 *	1/2012	Kaplan et al.	418/206.4

8,464,697	B2 *	6/2013	Ouwenga et al.	123/559.3
8,776,767	B2 *	7/2014	Ouwenga et al.	123/559.3
2005/0112013	A1 *	5/2005	DeVries et al.	418/206.1
2006/0263230	A1 *	11/2006	Swartzlander	418/196
2008/0292452	A1 *	11/2008	Prior et al.	415/173.4
2008/0292486	A1 *	11/2008	Ouwenga	418/152
2009/0148330	A1 *	6/2009	Swartzlander	418/196
2009/0148331	A1 *	6/2009	Kaplan et al.	418/201.1
2011/0058974	A1	3/2011	Swartzlander	
2011/0150671	A1 *	6/2011	Ouwenga	417/293
2012/0020824	A1 *	1/2012	Huang et al.	418/157
2012/0037473	A1 *	2/2012	Ouwenga	192/84.9
2013/0146035	A1 *	6/2013	Eybergen et al.	123/562
2013/0160749	A1 *	6/2013	Creager et al.	123/559.3
2014/0099226	A1 *	4/2014	Eybergen et al.	418/152

FOREIGN PATENT DOCUMENTS

JP 62-203988 9/1987

* cited by examiner

Primary Examiner — Mark Goodwin

(74) *Attorney, Agent, or Firm* — Merchant & Gould P.C.

(57) **CLAIM**

The ornamental design for a blower housing, as shown and described.

DESCRIPTION

FIG. 1 is a front, top, right side perspective view of a blower housing in accordance with our new design;

FIG. 2 is a front view thereof;

FIG. 3 is a rear view thereof;

FIG. 4 is a top view thereof;

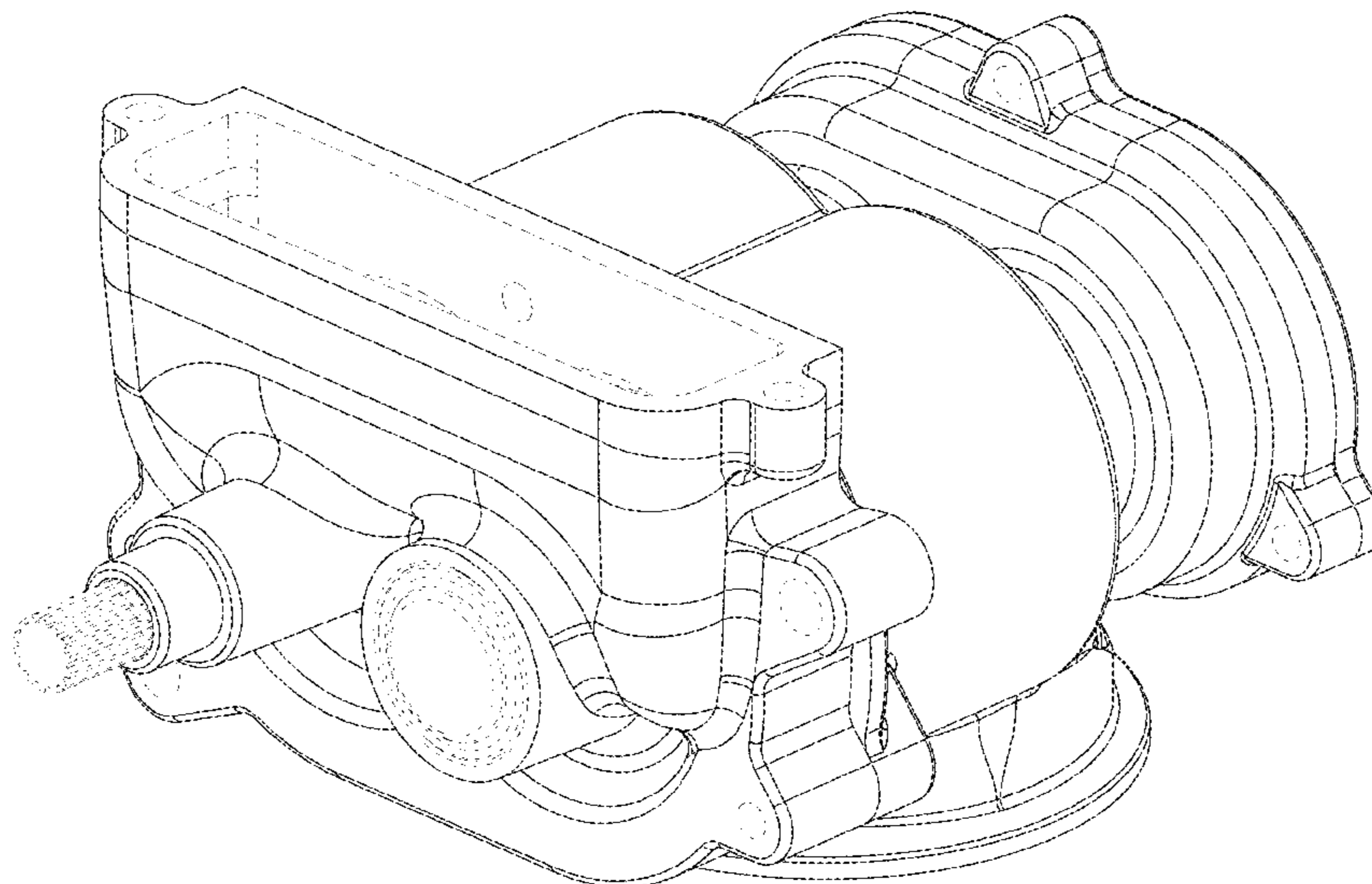
FIG. 5 is a bottom view thereof;

FIG. 6 is a right side view thereof; and,

FIG. 7 is a left side view thereof.

The broken lines in the Figures are for illustrative purposes only and form no part of the claimed design.

1 Claim, 7 Drawing Sheets



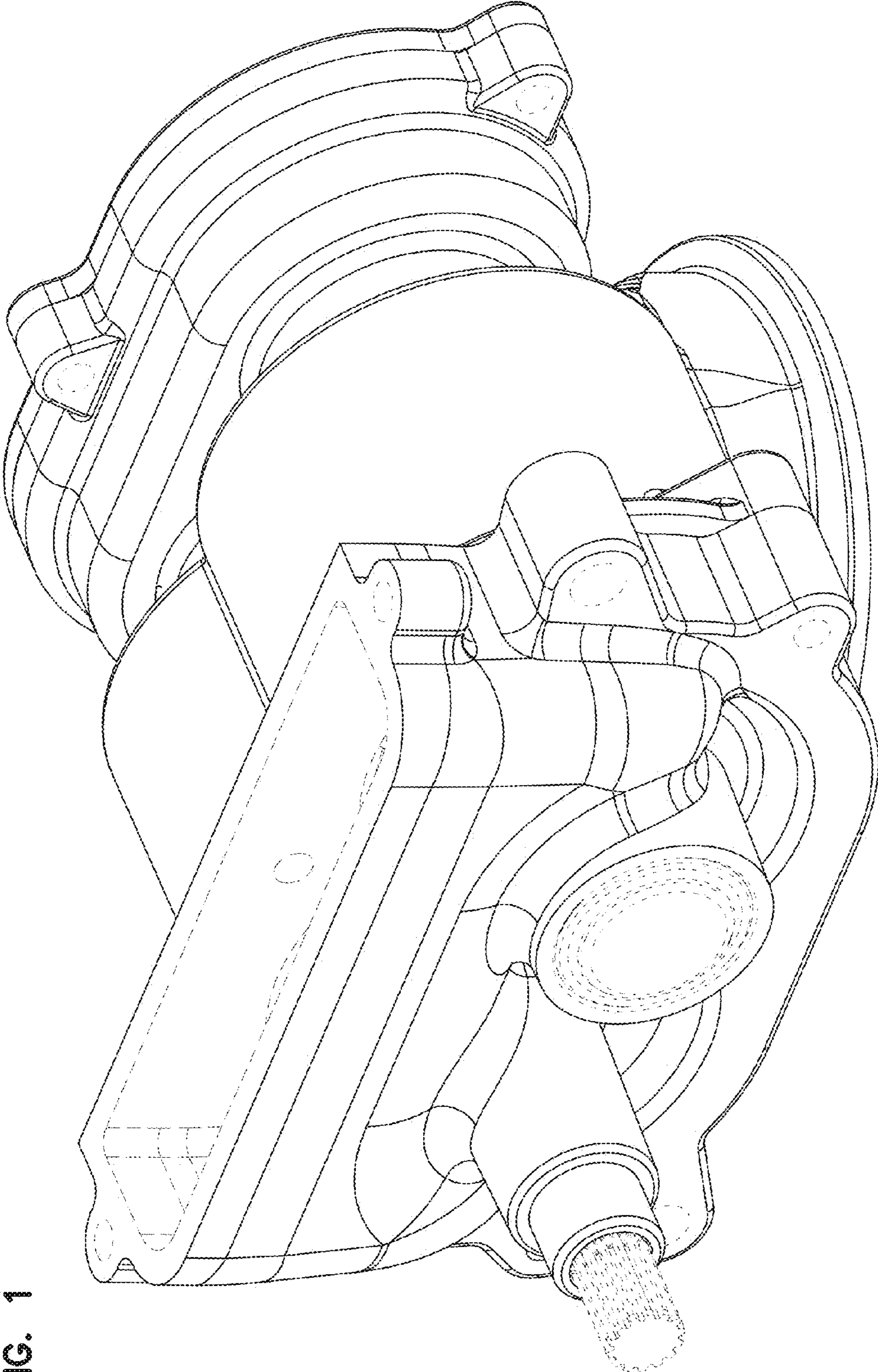


FIG. 1

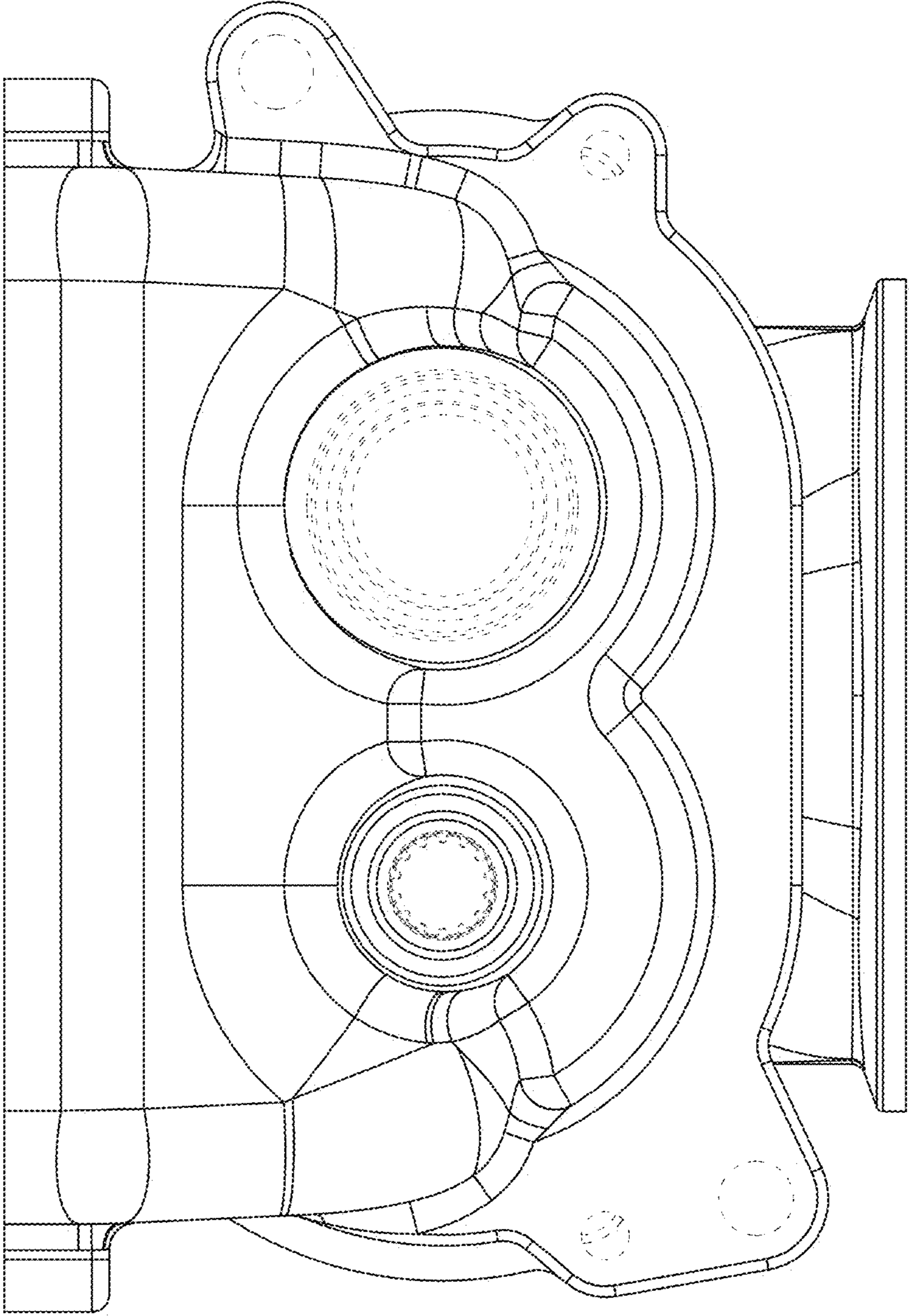


FIG. 2

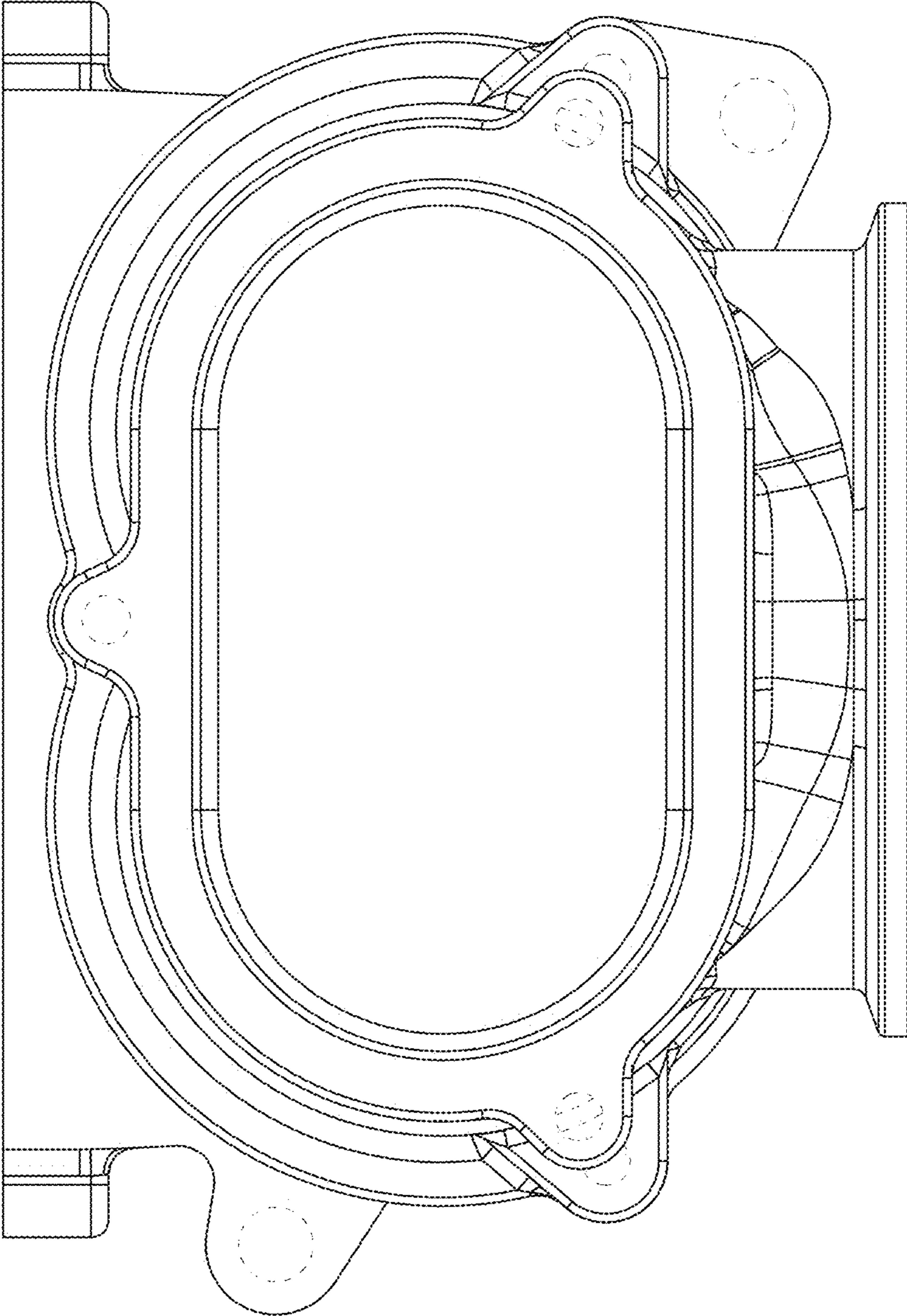


FIG. 3

FIG. 4

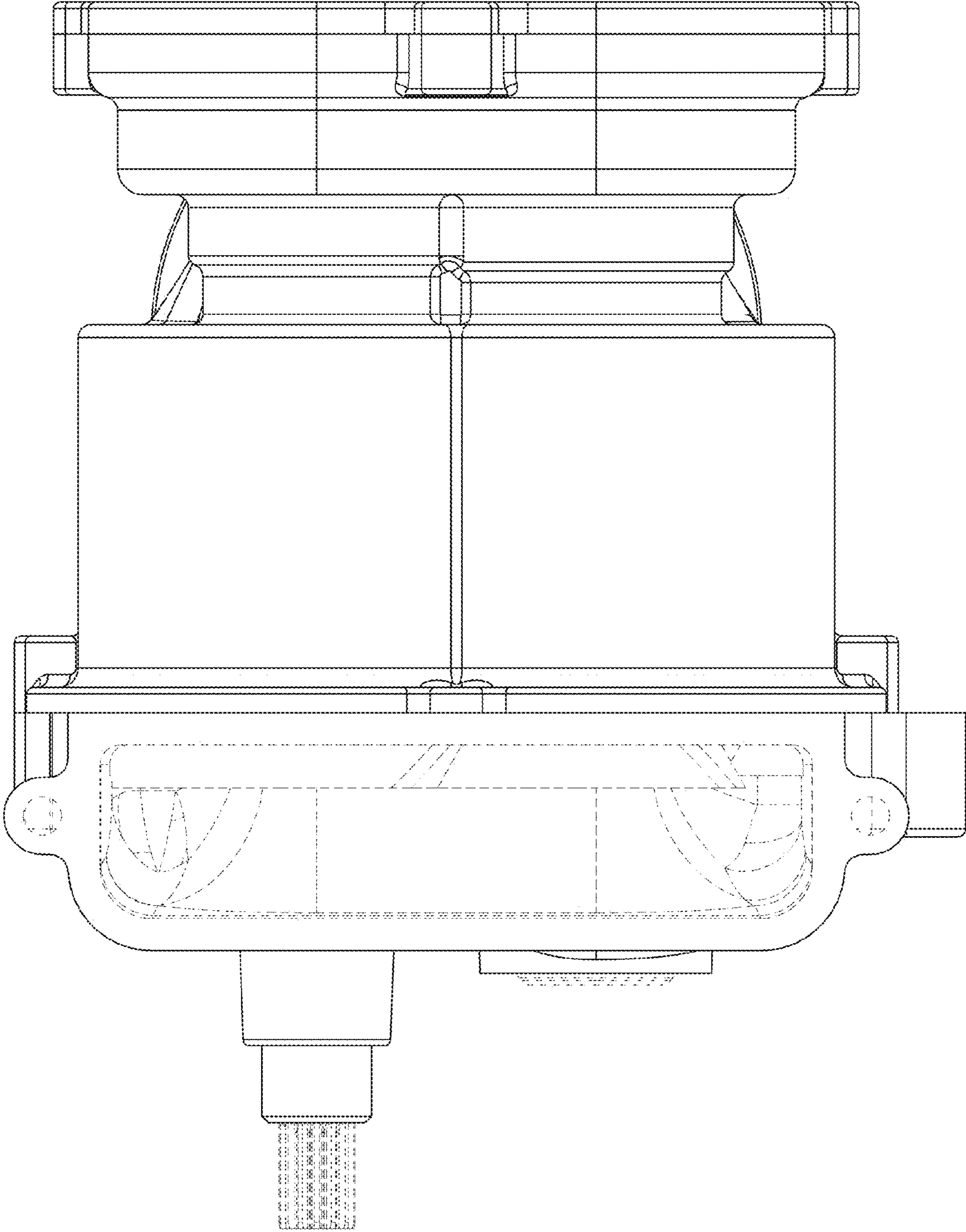
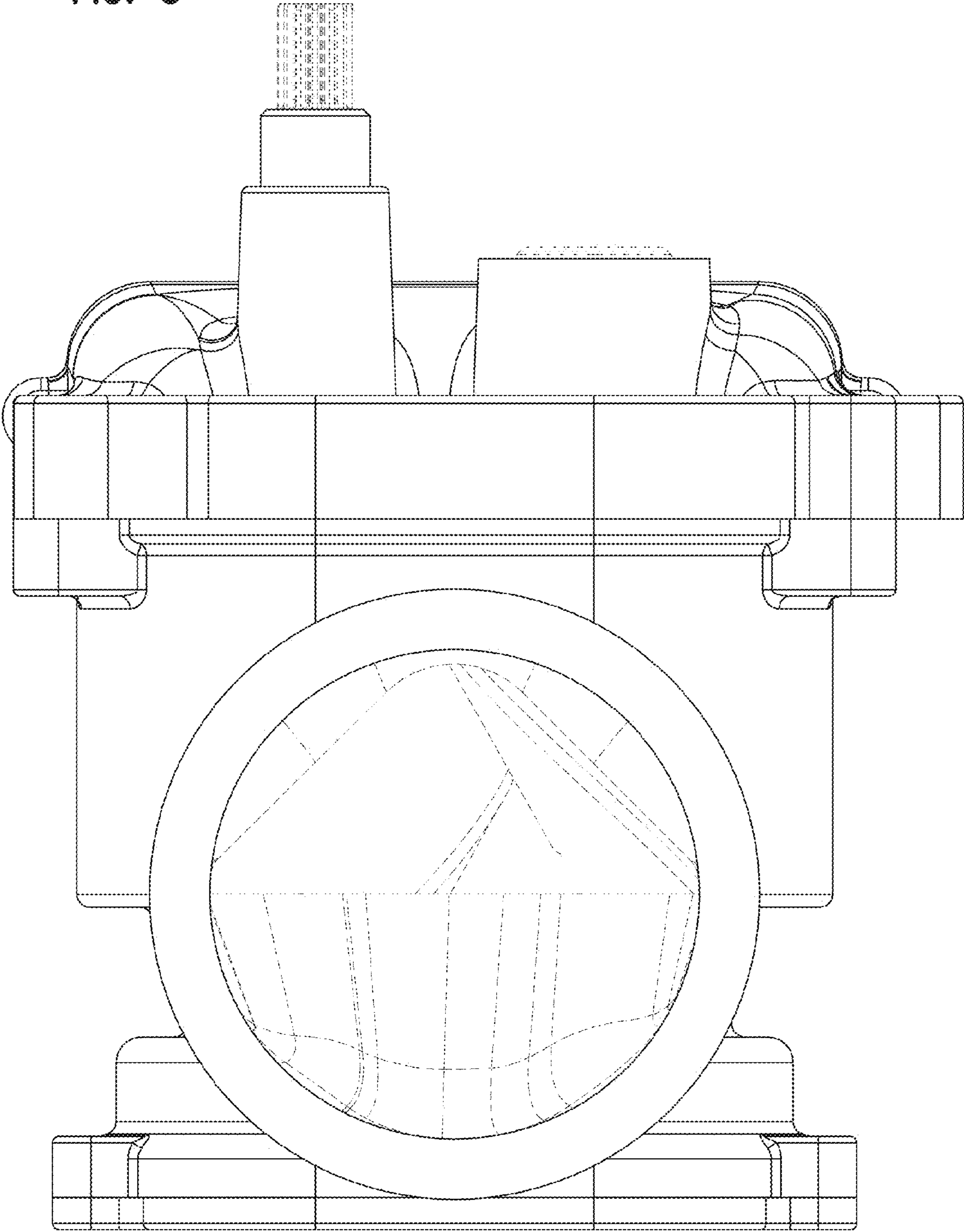


FIG. 5



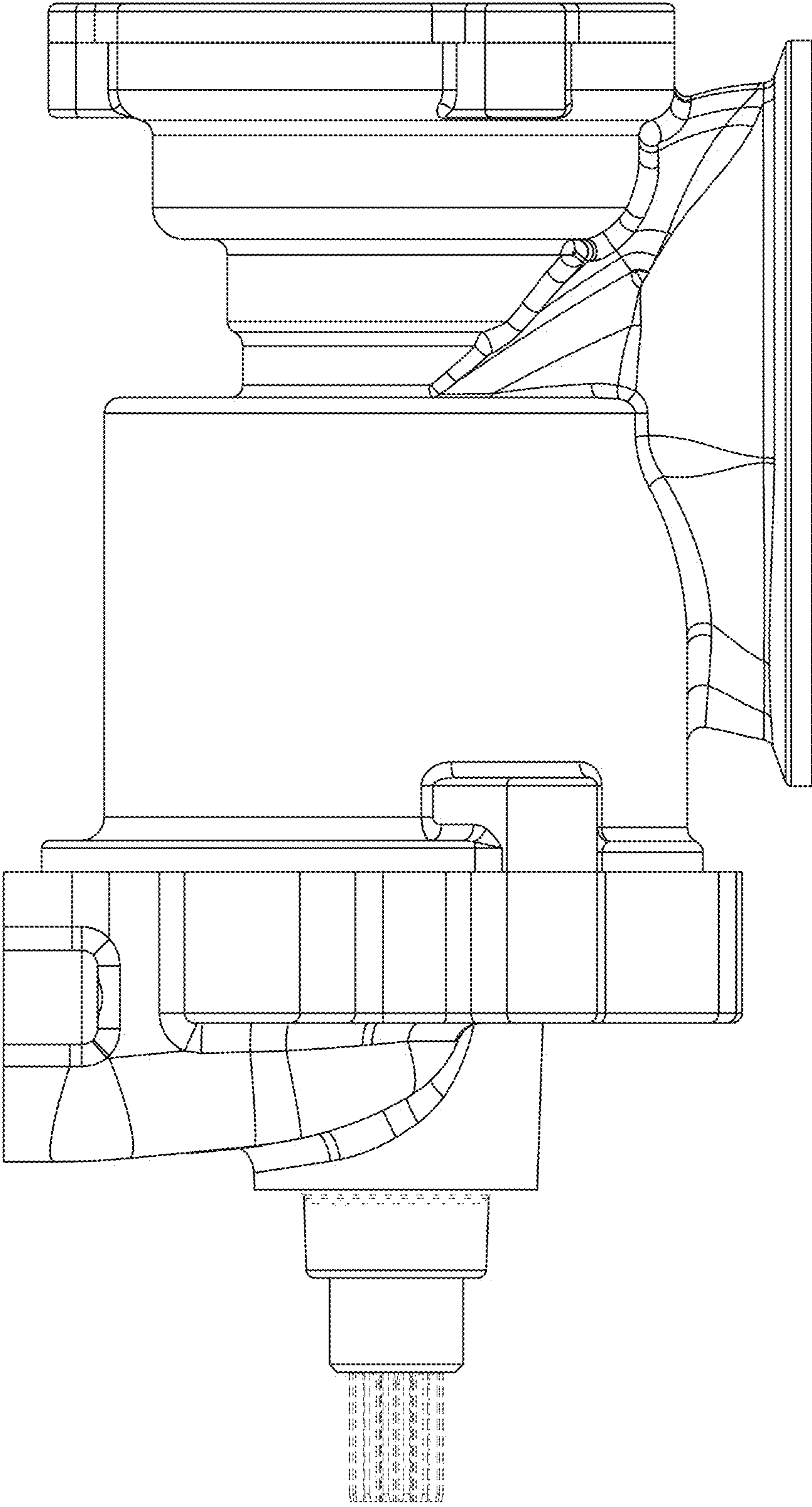


FIG. 6

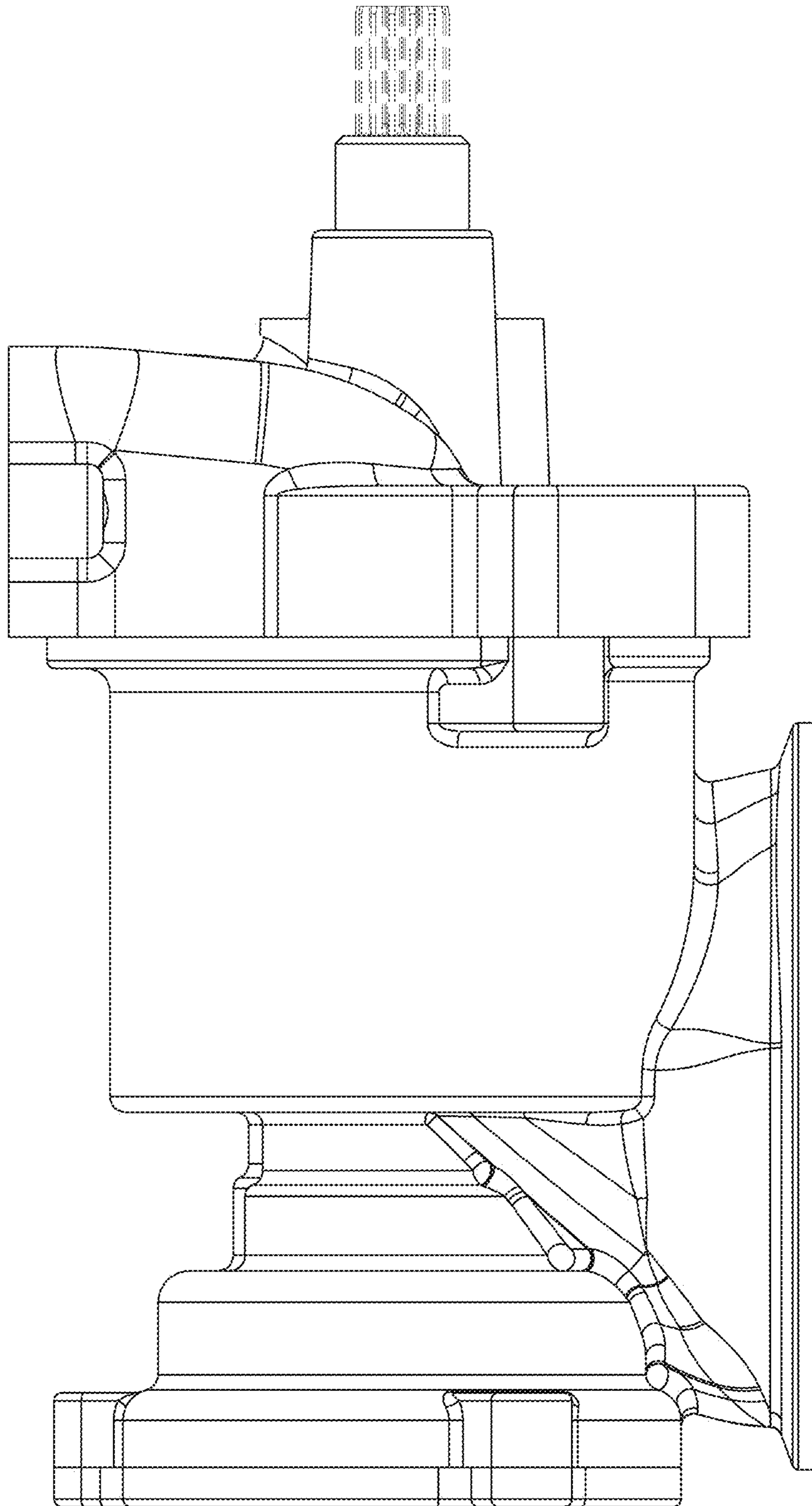


FIG. 7