



US00D745054S

(12) **United States Design Patent**
Bray et al.

(10) **Patent No.:** **US D745,054 S**
(45) **Date of Patent:** **** Dec. 8, 2015**

(54) **DISPLAY SCREEN OR PORTION THEREOF WITH ICON**

(71) Applicant: **Deere & Company**, Moline, IL (US)

(72) Inventors: **Nicholas R. Bray**, Marion, IA (US);
Jason D. Thompson, Garner, IA (US)

(73) Assignee: **Deere & Company**, Moline, IL (US)

(**) Term: **14 Years**

(21) Appl. No.: **29/518,501**

(22) Filed: **Feb. 24, 2015**

D451,536 S *	12/2001	Cornille	D18/27
D532,017 S *	11/2006	Gusmorino et al.	D14/492
D544,494 S *	6/2007	Cummins	D14/486
7,337,023 B2	2/2008	Diekhans	
D587,277 S	2/2009	Park et al.	
D601,165 S *	9/2009	Truelove et al.	D14/491
D621,415 S	8/2010	Umezawa	
D628,589 S	12/2010	Montgomery	
D650,788 S	12/2011	Marks et al.	
D659,154 S	5/2012	Kim et al.	
D686,218 S	7/2013	Anzures et al.	
D688,270 S *	8/2013	Jang et al.	D14/492
D690,316 S	9/2013	Meng et al.	
D695,300 S	12/2013	Lee et al.	
D703,228 S	4/2014	Abratowski et al.	

(Continued)

Related U.S. Application Data

(62) Division of application No. 29/456,088, filed on May 28, 2013, now Pat. No. Des. 729,839.

(51) **LOC (10) Cl.** **14-04**

(52) **U.S. Cl.**
USPC **D14/492**

(58) **Field of Classification Search**
USPC D14/485-495; 715/703, 715, 727, 763,
715/773, 776, 779, 839, 810, 811, 812, 813,
715/814, 815, 821, 825, 828, 833, 835, 836,
715/837, 838, 840, 846, 847, 864, 963, 974,
715/976, 977
CPC G06F 3/0482; G06F 8/34; G06F 3/04817;
G06F 3/048
See application file for complete search history.

(56) **References Cited**

U.S. PATENT DOCUMENTS

5,712,782 A	1/1998	Weigelt et al.	
D397,332 S *	8/1998	Ryan	D14/487
5,889,671 A	3/1999	Autermann et al.	
5,978,720 A	11/1999	Hieronimus et al.	
6,085,135 A	7/2000	Steckel	

FOREIGN PATENT DOCUMENTS

EP	1865396 A2	12/2007
EP	1992213 A1	11/2008

OTHER PUBLICATIONS

Deleket. "Clock Icon." IconArchive.com online catalog. Copyright 2013 IconArchive.com.

(Continued)

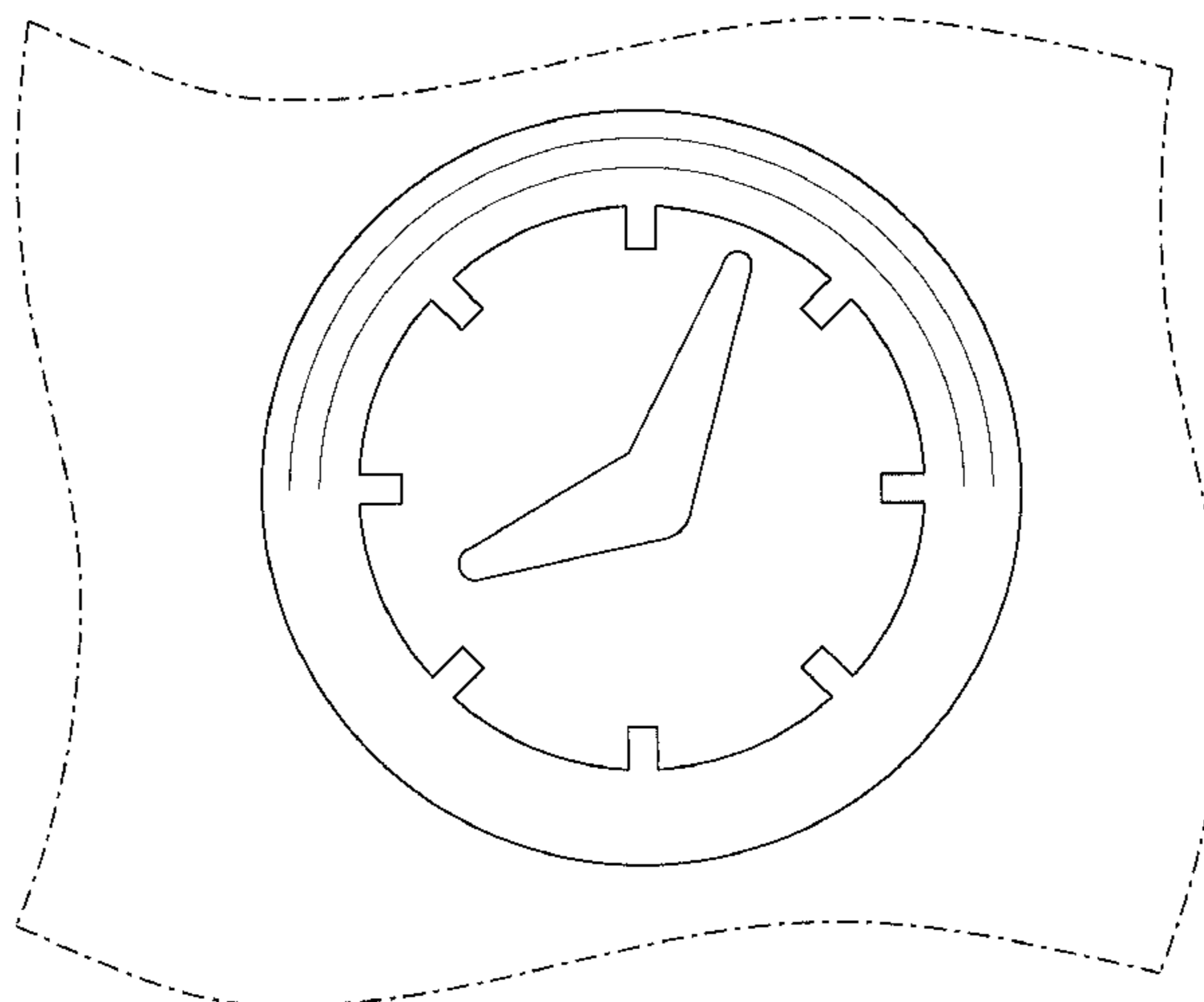
Primary Examiner — Angela J Lee
(74) *Attorney, Agent, or Firm* — Ingrassia, Fisher & Lorenz PC

(57) **CLAIM**
The ornamental design for a display screen or portion thereof with icon, as shown and described.

DESCRIPTION

The sole FIGURE is a front view of a display screen or portion thereof with icon showing our new design.
The broken line representation of the icon for display screen or portion thereof forms no part of the claimed design.

1 Claim, 1 Drawing Sheet



(56)

References Cited

OTHER PUBLICATIONS

U.S. PATENT DOCUMENTS

D719,186 S * 12/2014 Kim D14/488
D729,839 S * 5/2015 Bray et al. D14/492
D731,545 S * 6/2015 Lim et al. D14/492
2007/0198946 A1* 8/2007 Viji et al. 715/779
2011/0093778 A1* 4/2011 Kim et al. 715/702
2011/0202864 A1 8/2011 Hirsch et al.
2012/0036459 A1 2/2012 Pei et al.
2012/0297342 A1* 11/2012 Jang et al. 715/823
2014/0053109 A1* 2/2014 Xu et al. 715/847
2014/0137020 A1 5/2014 Sharma et al.
2014/0189584 A1 7/2014 Weng et al.

Iglira. "Icon of clock on shiny buttons." IconArchive.com online catalog. Copyright 2013 IconArchive.com.
Hiba04. "3d-vector illustration of clock icons." IconArchive.com online catalog. Copyright 2013 IconArchive.com.
Sinisa91G. "Clock Icon." IconArchive.com online catalog. Copyright 2013 IconArchive.com.
Apple. iPhone homescreen.
Apple. iPhone clock icon.

* cited by examiner

