



US00D745044S

(12) **United States Design Patent**
Chambers et al.

(10) **Patent No.:** **US D745,044 S**

(45) **Date of Patent:** **** Dec. 8, 2015**

(54) **PORTION OF A WINDOW TREATMENT CONTROL HAVING AN ICON**

(71) Applicant: **Lutron Electronics Co., Inc.**,
Coopersburg, PA (US)

(72) Inventors: **Samuel F. Chambers**, Gwynedd Valley,
PA (US); **Elliot G. Jacoby**, Glenside, PA
(US); **Jason C. Killo**, Emmaus, PA (US);
Brad Michael Kreschollek, Bethlehem,
PA (US); **Stephen Lundy**, Coopersburg,
PA (US); **John A. Mensinger**, Drums,
PA (US)

(73) Assignee: **LUTRON ELECTRONICS CO., INC.**,
Coopersburg, PA (US)

(**) Term: **14 Years**

(21) Appl. No.: **29/467,540**

(22) Filed: **Sep. 20, 2013**

(51) **LOC (10) Cl.** **14-04**

(52) **U.S. Cl.**
USPC **D14/489**

(58) **Field of Classification Search**
USPC D14/485–495; 715/835, 836, 837, 840,
715/846, 847, 976, 977
CPC ... G06F 3/048; G06F 3/0481; G06F 3/04817;
G06F 3/0482
See application file for complete search history.

(56) **References Cited**

U.S. PATENT DOCUMENTS

- D277,114 S * 1/1985 Gordon D20/11
- D296,339 S * 6/1988 Wells-Papanek et al. ... D14/487
- D398,298 S * 9/1998 Giordano, III D14/488
- D462,332 S 9/2002 Mayo et al.
- D473,240 S * 4/2003 Cockerill D14/489
- D488,818 S * 4/2004 Lee et al. D14/489

- D490,780 S 6/2004 Mayo et al.
- D527,711 S 9/2006 Spira et al.
- D546,779 S 7/2007 Mierta et al.
- D561,777 S * 2/2008 Ivanov D14/489
- D593,108 S * 5/2009 Danton D14/485
- D621,411 S * 8/2010 Verfuherth et al. D14/486
- D626,146 S * 10/2010 Montgomery et al. D14/492
- D633,514 S * 3/2011 Tokunaga et al. D14/487
- D649,125 S 11/2011 Clymer et al.
- D659,158 S 5/2012 Clymer
- D674,355 S 1/2013 Clymer et al.
- 8,380,359 B2 2/2013 Duchene et al.
- D677,273 S * 3/2013 Randall et al. D14/492
- D688,216 S 8/2013 Clymer et al.
- D693,364 S * 11/2013 Gardner et al. D14/489
- D697,937 S * 1/2014 Lee et al. D14/486
- D703,692 S * 4/2014 Phelan D14/488
- D706,824 S * 6/2014 Smith D14/489
- D707,255 S * 6/2014 Jewitt D14/489
- D709,087 S * 7/2014 Dellinger et al. D14/489
- D717,250 S * 11/2014 Chambers et al. D13/174
- 2011/0266122 A1 11/2011 Zaharchuk et al.

OTHER PUBLICATIONS

U.S. Appl. No. 29/449,148, filed Mar. 14, 2013, Clymer et al.

(Continued)

Primary Examiner — Angela J Lee

(74) *Attorney, Agent, or Firm* — Mark E. Rose; Philip N. Smith

(57) **CLAIM**

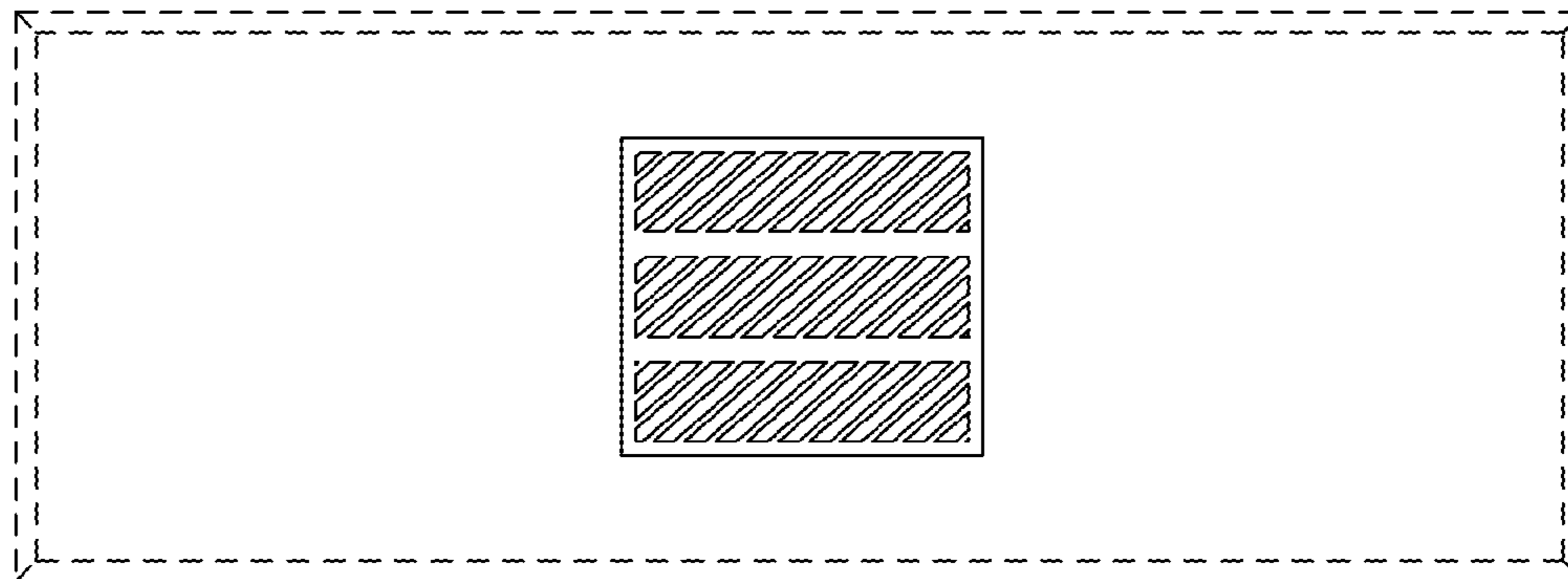
We claim the ornamental design for a portion of a window treatment control having an icon, as shown and described.

DESCRIPTION

The FIGURE is a front view of a portion of a window treatment control having an icon.

The broken line showing of the portion of the window treatment control is for the purpose of illustrating environmental structure and forms no part of the claimed design.

1 Claim, 1 Drawing Sheet



(56)

References Cited

OTHER PUBLICATIONS

U.S. Appl. No. 29/449,151, filed Mar. 14, 2013, Clymer et al.
U.S. Appl. No. 29/467,520, filed Sep. 20, 2013, Chambers et al.
U.S. Appl. No. 29/467,521, filed Sep. 20, 2013, Chambers et al.
U.S. Appl. No. 29/467,523, filed Sep. 20, 2013, Chambers et al.

U.S. Appl. No. 29/467,524, filed Sep. 20, 2013, Chambers et al.
U.S. Appl. No. 29/467,527, filed Sep. 20, 2013, Chambers et al.
U.S. Appl. No. 29/467,531, filed Sep. 20, 2013, Chambers et al.
U.S. Appl. No. 29/467,536, filed Sep. 20, 2013, Chambers et al.
U.S. Appl. No. 29/467,537, filed Sep. 20, 2013, Chambers et al.

* cited by examiner

