



US00D745019S

(12) **United States Design Patent**
Kim et al.

(10) **Patent No.:** **US D745,019 S**
(45) **Date of Patent:** **** Dec. 8, 2015**

(54) **DISPLAY SCREEN OR PORTION THEREOF WITH ICON**

(71) Applicant: **Samsung Electronics Co., Ltd.**,
Suwon-si, Gyeonggi-do (KR)

(72) Inventors: **Min-Sun Kim**, Seongnam-si (KR);
Eun-Young Kim, Seoul (KR)

(73) Assignee: **SAMSUNG ELECTRONICS CO., LTD.** (KR)

(**) Term: **14 Years**

(21) Appl. No.: **29/482,633**

(22) Filed: **Feb. 20, 2014**

(30) **Foreign Application Priority Data**

Aug. 22, 2013 (KR) 30-2013-0043056

(51) **LOC (10) Cl.** **14-03**

(52) **U.S. Cl.**
USPC **D14/485**

(58) **Field of Classification Search**
USPC D14/485-495; D20/24; D18/26, 31-33;
715/702, 764; D9/504
CPC G06F 3/016; G06F 3/0481; G06F 3/0482
See application file for complete search history.

(56) **References Cited**

U.S. PATENT DOCUMENTS

D396,455 S *	7/1998	Bier	D14/489
D415,416 S *	10/1999	Anderson	D6/678.2
D474,197 S *	5/2003	Nguyen	D14/486
D505,135 S *	5/2005	Sapp	D14/489
D507,002 S *	7/2005	Retuta	D14/486
D511,524 S *	11/2005	Retuta	D14/486
D534,541 S *	1/2007	Retuta	D14/486
D534,915 S *	1/2007	Retuta	D14/486
D544,495 S *	6/2007	Evans	D14/488
D549,713 S *	8/2007	Lewin	D14/485

D566,722 S *	4/2008	Jackson	D14/489
D574,395 S *	8/2008	Loretan	D14/487
D580,820 S *	11/2008	Daykin	D11/216
D590,838 S *	4/2009	Bisig	D14/492
D656,941 S *	4/2012	Jones	D14/485
D664,976 S *	8/2012	Everingham	D14/487
D665,411 S *	8/2012	Rai	D14/488
D665,419 S *	8/2012	Pizzutelli	D14/492
D667,444 S *	9/2012	Phelan	D14/492
D684,991 S *	6/2013	Wenz	D14/488
D689,096 S *	9/2013	Nagaoka	D14/489
D695,308 S *	12/2013	Lee	D14/491
D696,277 S *	12/2013	Lee	D14/486
D697,930 S *	1/2014	Crabtree	D14/486
D701,219 S *	3/2014	Kim	D14/485
D703,693 S *	4/2014	Brinda	D14/488

(Continued)

OTHER PUBLICATIONS

Online Release dated May 9, 2013, http://apps.samsung.com/mercury/topApps/topAppsDetail.as?COUNTRY_CODE=KOR&productId=000000592499?content.samsung.com.

Primary Examiner — Brandon M Rosati

Assistant Examiner — Rhea Shields

(74) *Attorney, Agent, or Firm* — Cantor Colburn LLP

(57) **CLAIM**

The ornamental design for a display screen or portion thereof with icon, as shown and described.

DESCRIPTION

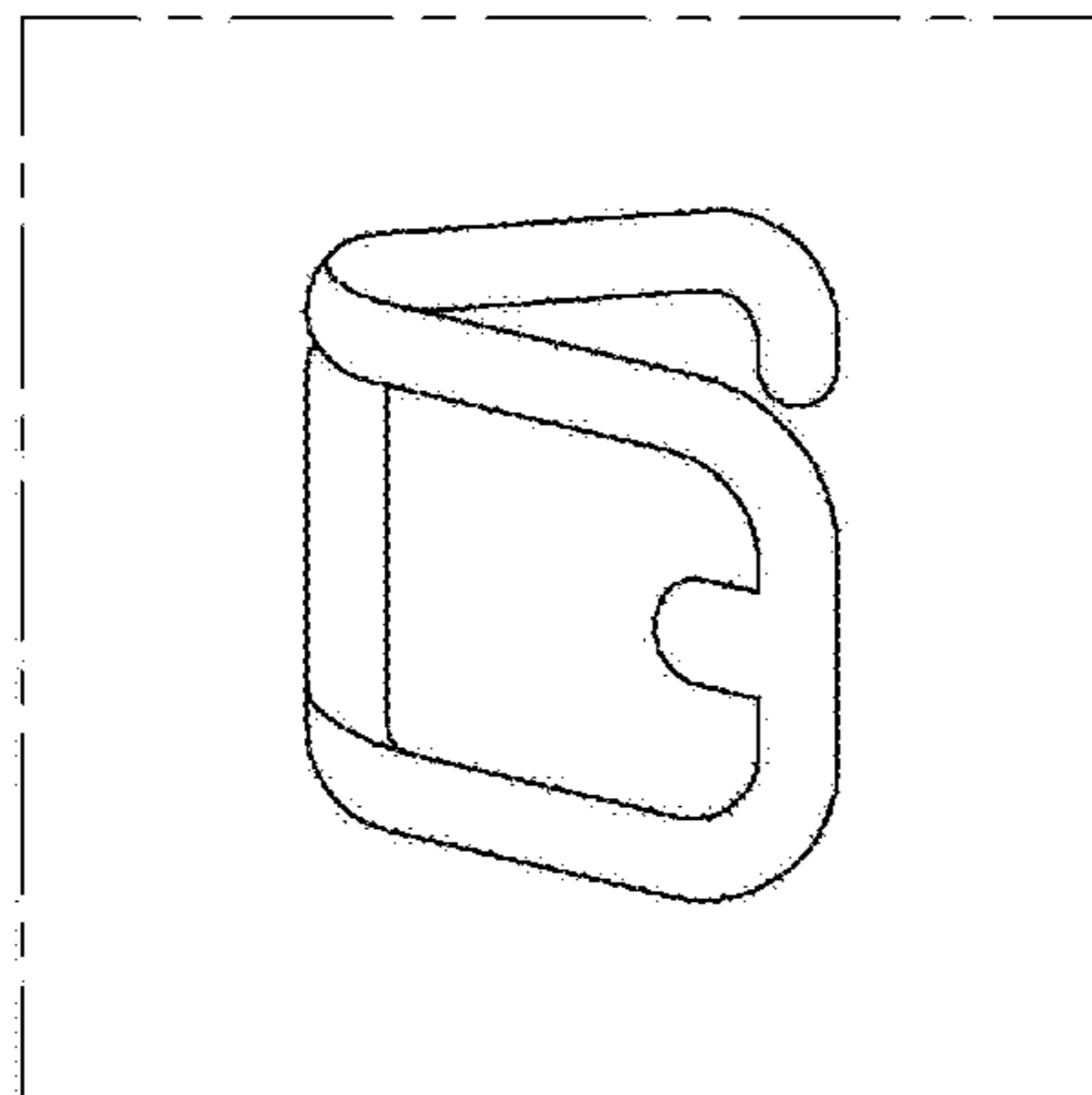
FIG. 1 is a front view of a display screen or portion thereof with icon showing our new design;

FIG. 2 is a second embodiment thereof; and,

FIG. 3 is a third embodiment thereof.

The broken lines illustrating portions of the display screen or portion thereof with icon are for environmental purposes only and form no part of the claimed design. It should be appreciated that at least a portion of the display screen is shown inside the broken lines.

1 Claim, 3 Drawing Sheets



(56)

References Cited

U.S. PATENT DOCUMENTS

D714,315 S * 9/2014 Pereira D14/485
D714,321 S * 9/2014 Pereira D14/485
D714,322 S * 9/2014 Pereira D14/485
D718,780 S * 12/2014 Rajaraman D14/486
D719,178 S * 12/2014 Daniel D14/485

D726,738 S * 4/2015 Jang D14/485
D726,762 S * 4/2015 Villanti D14/489
D727,966 S * 4/2015 Kim D14/492
D729,842 S * 5/2015 Oh D14/493
D729,843 S * 5/2015 Bray D14/493
D733,180 S * 6/2015 Brinda D14/488
D733,757 S * 7/2015 Kim D14/493
D736,257 S * 8/2015 Kim D14/493

* cited by examiner

FIG. 1

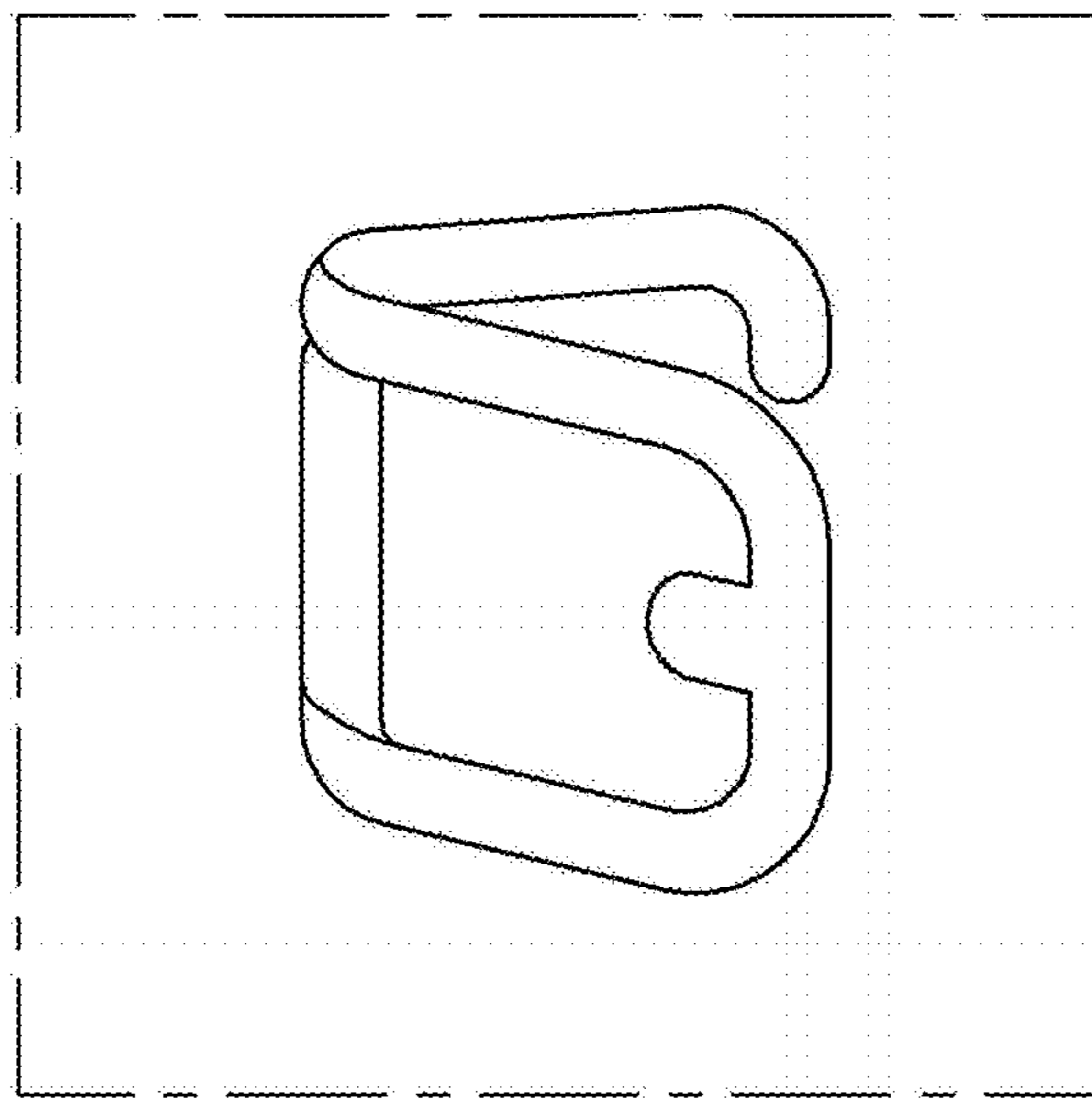


FIG. 2

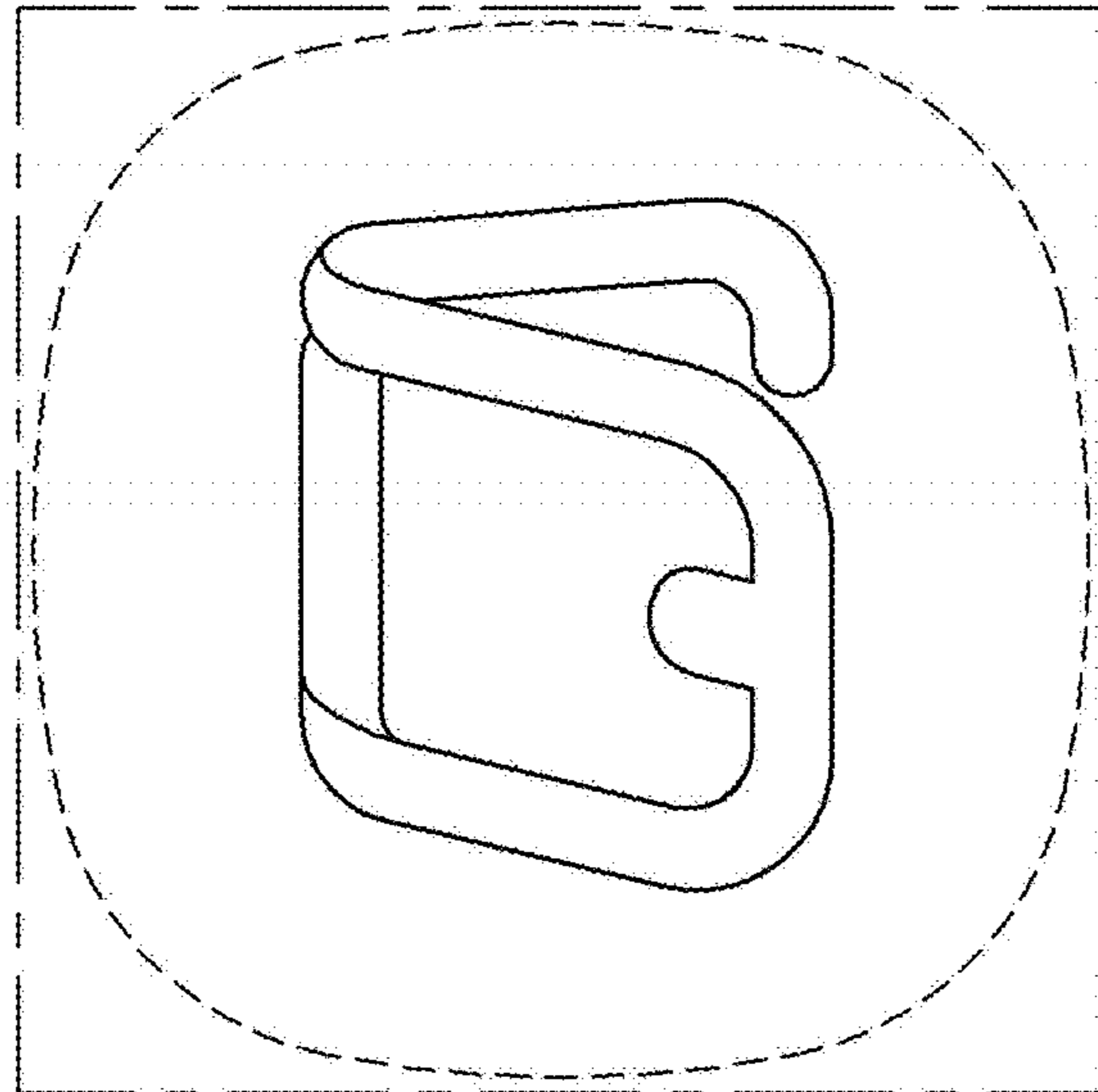


FIG. 3

