



US00D745015S

(12) **United States Design Patent**  
**Wang**

(10) **Patent No.:** **US D745,015 S**  
(45) **Date of Patent:** **\*\* Dec. 8, 2015**

(54) **DISPLAY SCREEN OR PORTION THEREOF WITH ANIMATED GRAPHICAL USER INTERFACE**

(71) Applicant: **Lenovo (Beijing) Co., Ltd.**, Beijing (CN)

(72) Inventor: **Renjie Wang**, Beijing (CN)

(73) Assignee: **LENOVA (BEIJING) CO., LTD.**, Beijing (CN)

(\*\*) Term: **14 Years**

(21) Appl. No.: **29/445,483**

(22) Filed: **Feb. 12, 2013**

(30) **Foreign Application Priority Data**

Dec. 27, 2012 (CN) ..... 2012 3 0656461

(51) **LOC (10) Cl.** ..... **14-04**

(52) **U.S. Cl.**  
USPC ..... **D14/485**

(58) **Field of Classification Search**  
USPC ..... D14/485-495; 715/700, 703, 716, 727, 715/730, 771, 773, 778, 779, 780, 784, 785, 715/786, 787, 810, 821, 825, 828, 830, 833, 715/834, 835, 840, 847, 864, 973, 974  
CPC ..... G06F 3/0482; G06F 8/34; G06F 3/04817; G06F 3/048

See application file for complete search history.

(56) **References Cited**

**U.S. PATENT DOCUMENTS**

D396,455 S \* 7/1998 Bier ..... D14/489  
6,775,659 B2 \* 8/2004 Clifton-Bligh

D497,617 S \* 10/2004 Decombe et al. .... D14/486  
D522,559 S \* 6/2006 Naito et al. .... D16/219  
D545,324 S \* 6/2007 Decombe ..... D14/485  
D550,696 S \* 9/2007 Kortum et al. .... D14/491  
D607,007 S \* 12/2009 Kocmick ..... D14/489  
D630,643 S \* 1/2011 Wilson ..... D14/486  
D630,644 S \* 1/2011 Wilson ..... D14/486  
D630,646 S \* 1/2011 Wilson ..... D14/487  
2009/0183100 A1 \* 7/2009 Eom et al. .... 715/769  
2010/0251181 A1 \* 9/2010 Lal ..... 715/834  
2012/0079430 A1 \* 3/2012 Kwahk et al. .... 715/834

\* cited by examiner

*Primary Examiner* — Angela J Lee

(74) *Attorney, Agent, or Firm* — Brinks Gilson & Lione; G. Peter Nichols

(57) **CLAIM**

The ornamental design for a display screen or portion thereof with animated graphical user interface, as shown and described.

**DESCRIPTION**

FIG. 1 is the first image in a sequence for a display screen or portion thereof with animated graphical user interface showing my new design; and,

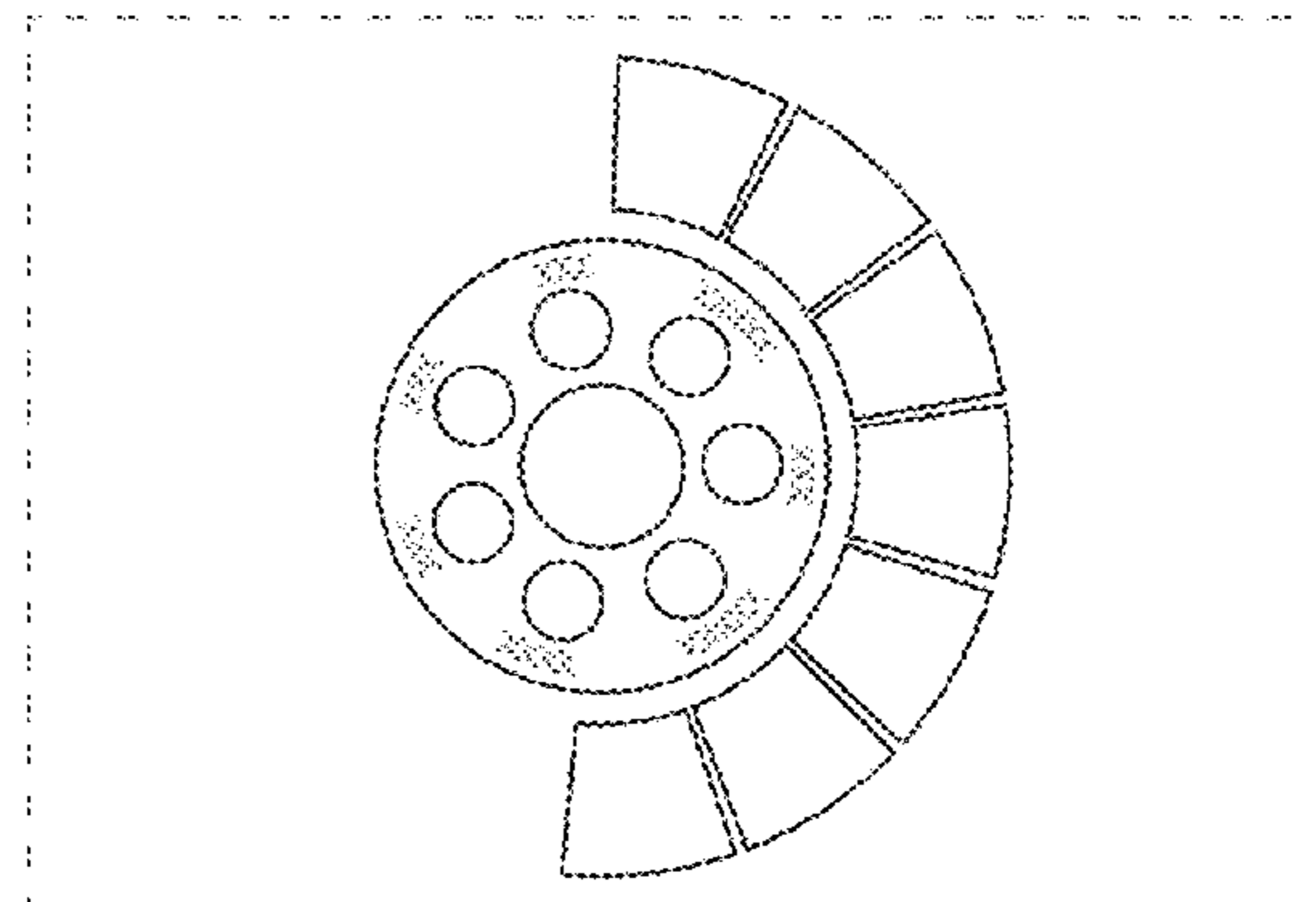
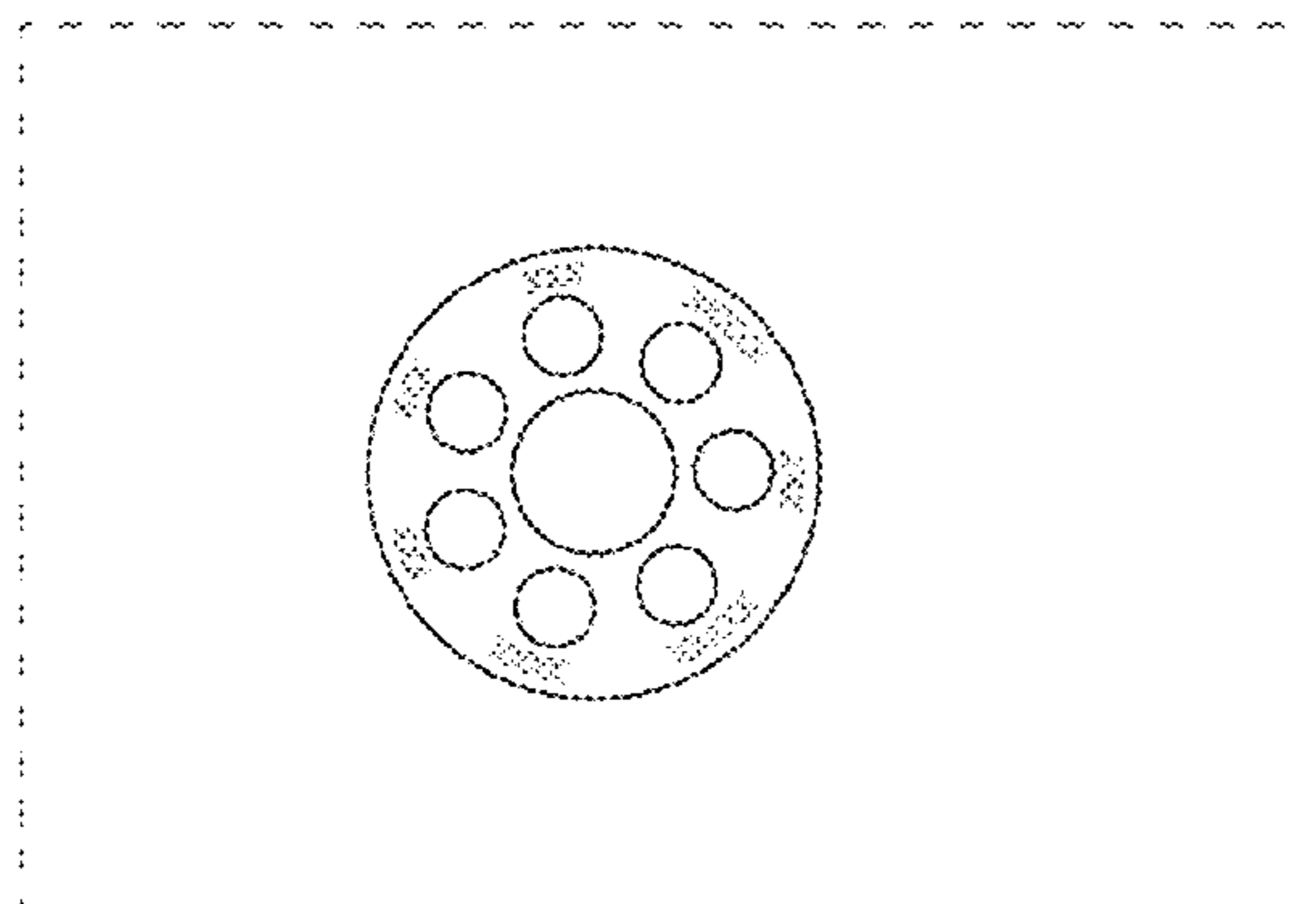
FIG. 2 is the second image thereof.

The appearance of the animated user interface sequentially transitions between the images shown in FIGS. 1 and 2.

The broken line showing the remainder of the display screen or a portion of the display screen in FIGS. 1-2 forms no part of the claimed design.

The subject matter shown in broken lines, for example, the "X"s in FIGS. 1 and 2 is for illustrative purposes only and forms no part of the claimed design.

**1 Claim, 1 Drawing Sheet**



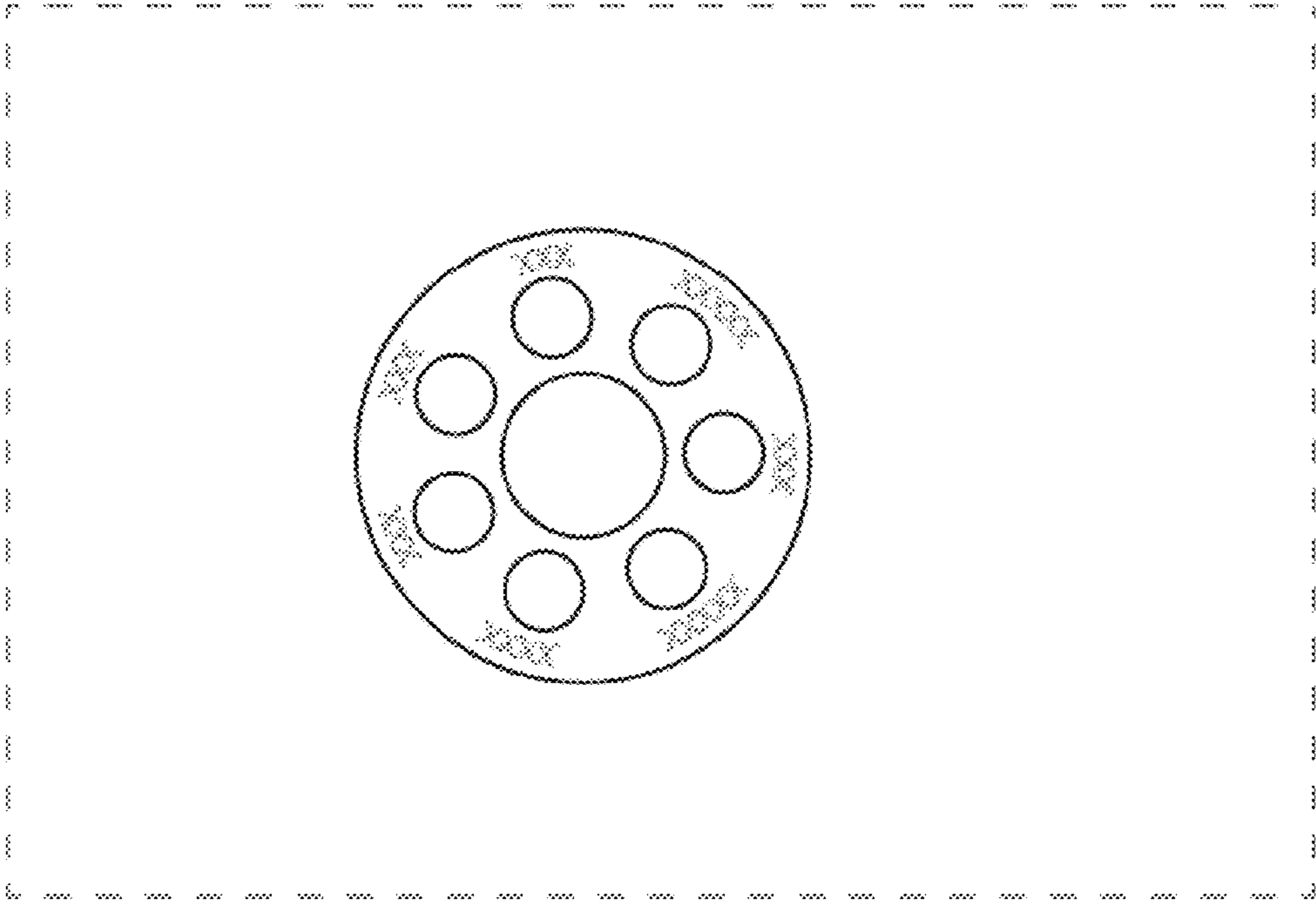


Fig. 1

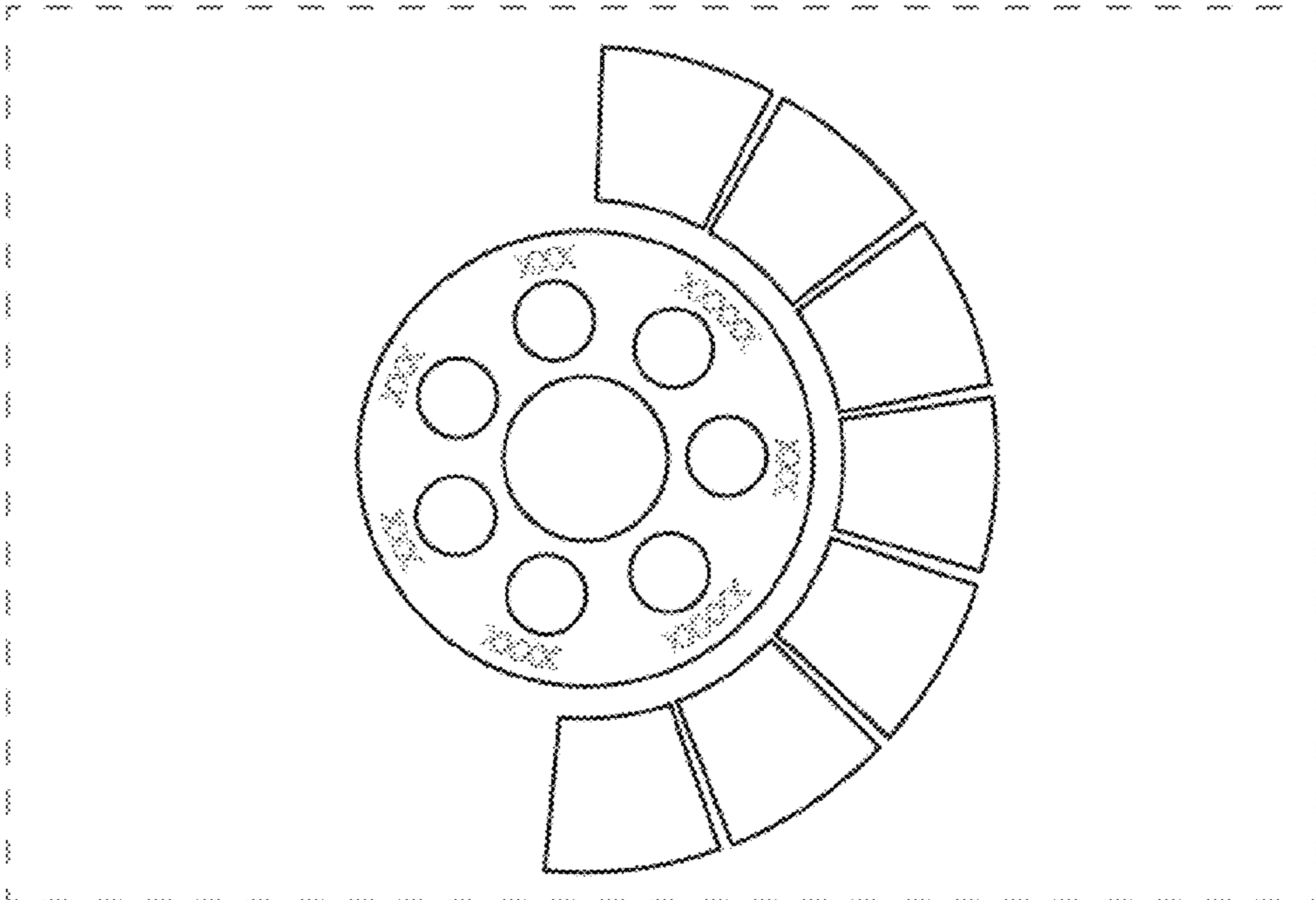


Fig. 2