

US00D745014S

(12) **United States Design Patent**
Vales

(10) **Patent No.:** **US D745,014 S**
(45) **Date of Patent:** **** Dec. 8, 2015**

(54) **ELECTRONIC DEVICE HOLDER AND GLOVE**

(71) Applicant: **Phillip Francis Vales**, Miramar, FL (US)

(72) Inventor: **Phillip Francis Vales**, Miramar, FL (US)

(**) Term: **14 Years**

(21) Appl. No.: **29/507,672**

(22) Filed: **Oct. 30, 2014**

(51) **LOC (10) Cl.** **08-07**

(52) **U.S. Cl.**
USPC **D14/447**

(58) **Field of Classification Search**

USPC D14/447, 432, 434, 439, 440, 451, 452,
D14/457, 239; D12/415; D6/406.3, 406.4,
D6/406.5, 406.6; D8/363, 373, 380
CPC F16M 2200/00; F16M 13/00; A45C
2011/003; A45C 2011/002; A47B 2023/049;
A47B 2097/005; A47B 2097/006; A47B 21/04
See application file for complete search history.

(56) **References Cited**

U.S. PATENT DOCUMENTS

D633,504 S * 3/2011 Alexander, Jr. D14/447
D642,579 S * 8/2011 Deutsch et al. D14/440

(Continued)

Primary Examiner — Angela J Lee

(74) *Attorney, Agent, or Firm* — Patent CEO, LLC; Phillip F. Vales

(57) **CLAIM**

The ornamental design for an electronic device holder and glove, as shown.

DESCRIPTION

FIG. 1 is a top isometric view of a electronic device holder and glove showing my new design; all dotted lines in this view are unclaimed features;

FIG. 2 is a top plan view thereof; all dotted lines in this view are unclaimed features;

FIG. 3 is a bottom plan view thereof;

FIG. 4 is a left side elevational view thereof;

FIG. 5 is a right side elevational view thereof;

FIG. 6 is a front elevation view thereof;

FIG. 7 is a back elevation view thereof.

FIG. 8 is a top view showing more of the upper portion of the glove thereof; all dotted lines in this view are unclaimed features;

FIG. 9 is a another top view showing the top of the glove thereof; the dotted line having a smaller dash between larger dashes is the electronic device holder that is claimed whilst the regular uniform dashed lines show non-claimed surfaces and regions;

FIG. 10 is a bottom view showing the bottom of the glove thereof; the dotted line having a smaller dash between larger dashes is the electronic device holder that is claimed whilst the regular uniform dashed lines show non-claimed surfaces and regions;

FIG. 11 is a top isometric view of a electronic device holder and glove showing my new design in an alternative embodiment; all dotted lines in this view are unclaimed features;

FIG. 12 is a top plan view thereof; all dotted lines in this view are unclaimed features;

FIG. 13 is a bottom plan view thereof;

FIG. 14 is a left side elevational view thereof;

FIG. 15 is a right side elevational view thereof;

FIG. 16 is a front elevation view thereof; and

FIG. 17 is a back elevation view thereof.

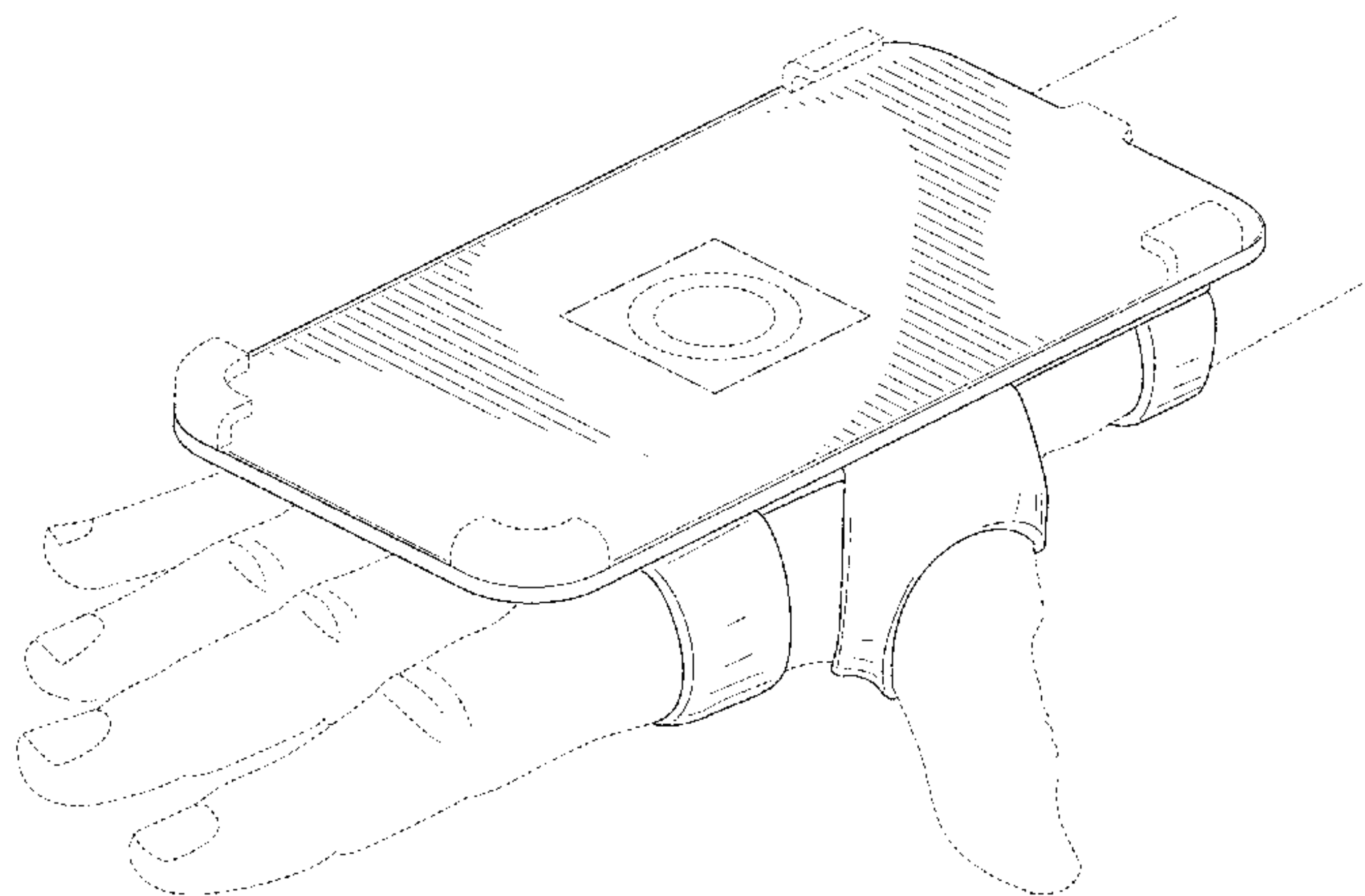
FIG. 18 is a top view showing more of the upper portion of the glove thereof; all dotted lines in this view are unclaimed features;

FIG. 19 is a another top view showing the top of the glove thereof; the dotted line having a smaller dash between larger dashes is the electronic device holder that is claimed whilst the regular uniform dashed lines show non-claimed surfaces and regions; and,

FIG. 20 is a bottom view showing the bottom of the glove thereof; the dotted line having a smaller dash between larger dashes is the electronic device holder that is claimed whilst the regular uniform dashed lines show non-claimed surfaces and regions.

The broken lines shown in the drawings represent environmental structure that forms no part of the claimed design.

1 Claim, 14 Drawing Sheets



(56)

References Cited

U.S. PATENT DOCUMENTS

D700,610 S *	3/2014	Deutsch et al.	D14/440	D716,287 S *	10/2014	Ambriz	D14/253
D700,909 S *	3/2014	Bowser	D14/432	D721,373 S *	1/2015	Logereau	D14/432
D704,201 S *	5/2014	Shubin, Sr.	D14/447	9,033,384 B2 *	5/2015	Potter et al.	294/25
D706,274 S *	6/2014	Shubin, Sr.	D14/447	D733,151 S *	6/2015	Brierley	D14/440
				2012/0097831 A1 *	4/2012	Olukotun et al.	248/688
				2012/0291256 A1 *	11/2012	Yu	29/428

* cited by examiner

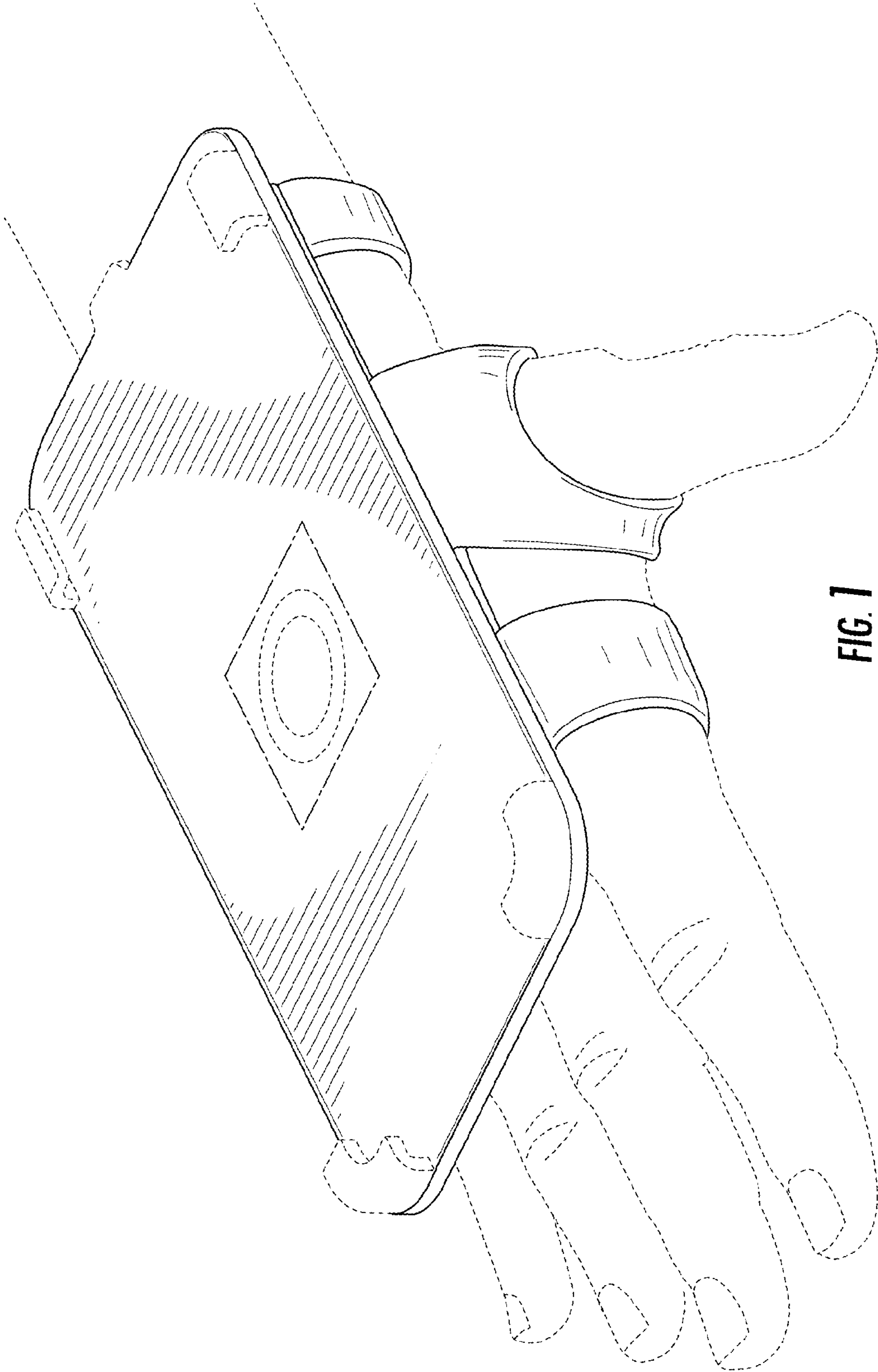


FIG. 1

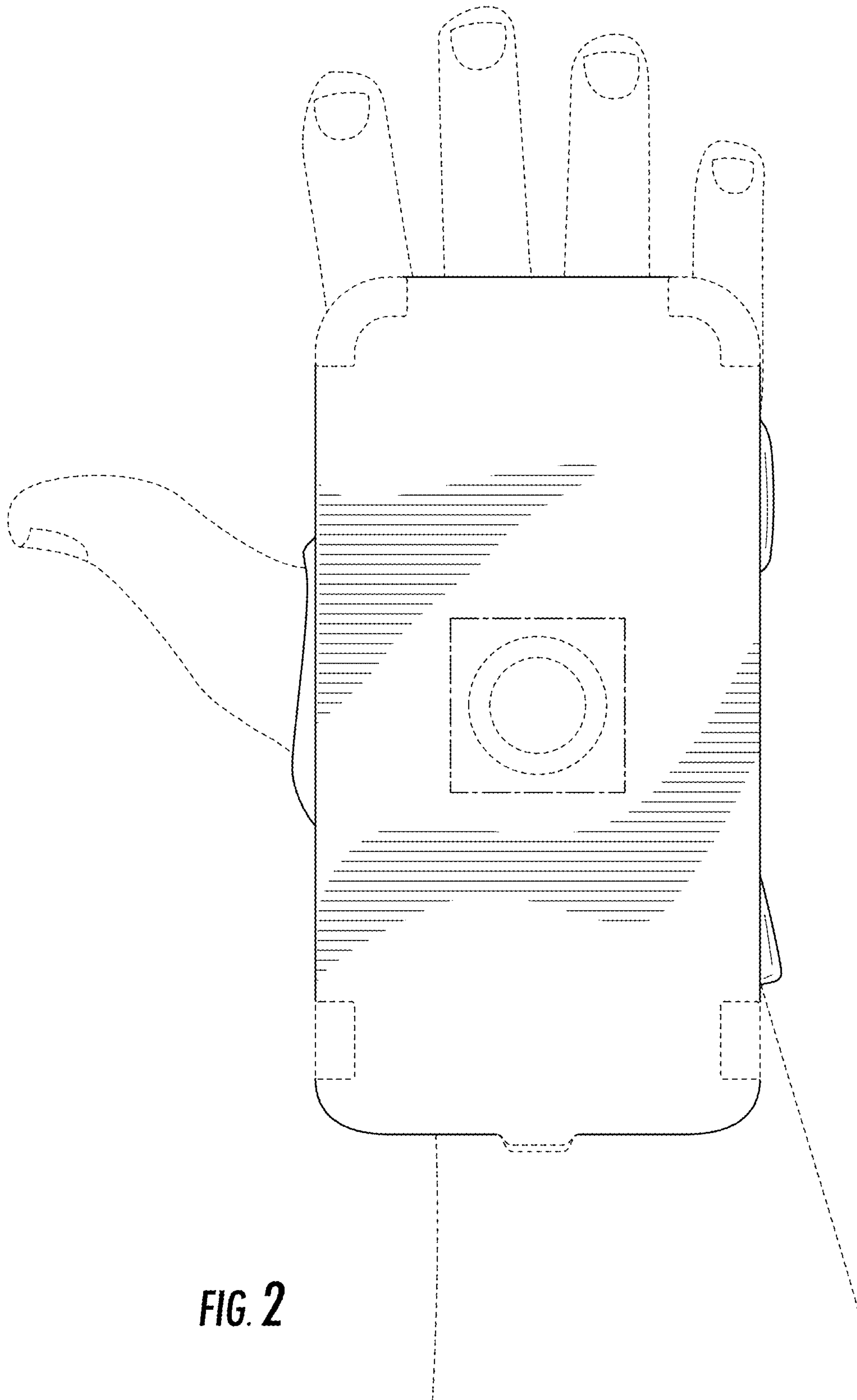
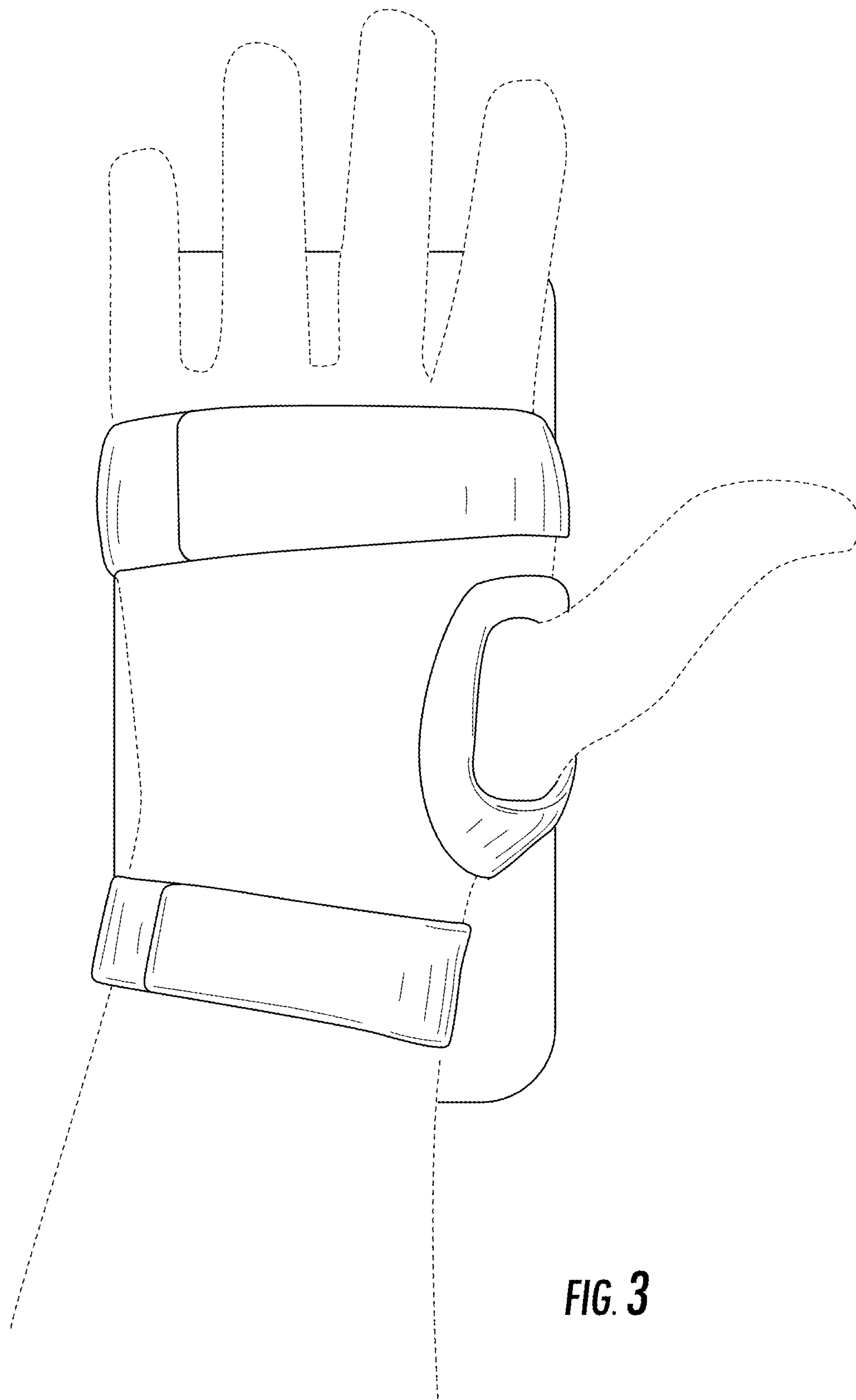


FIG. 2



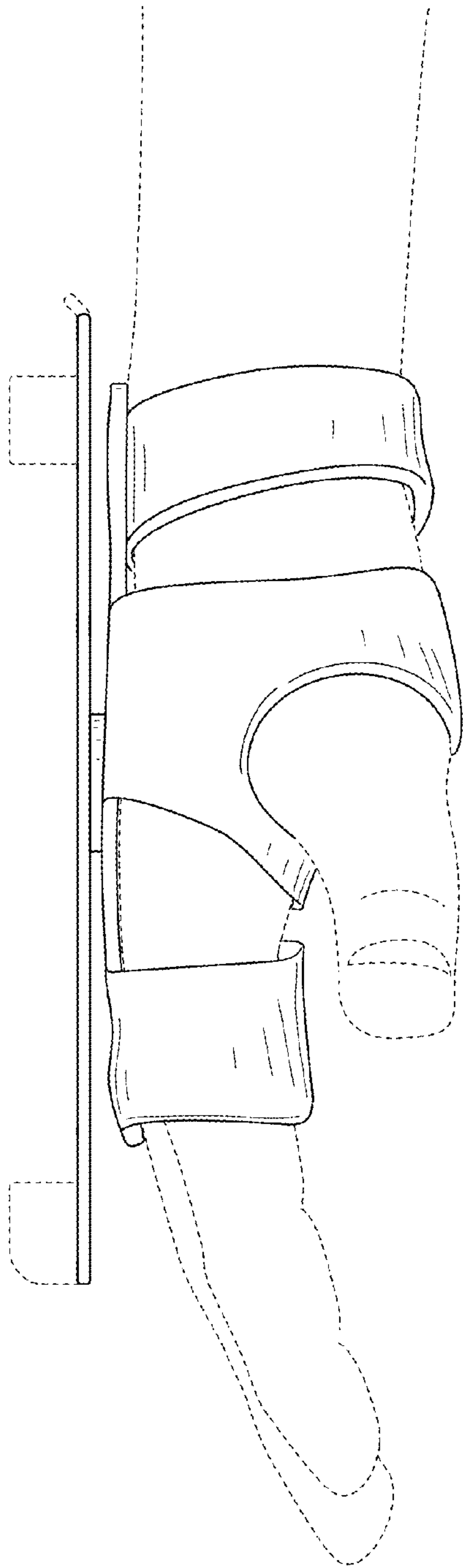


FIG. 4

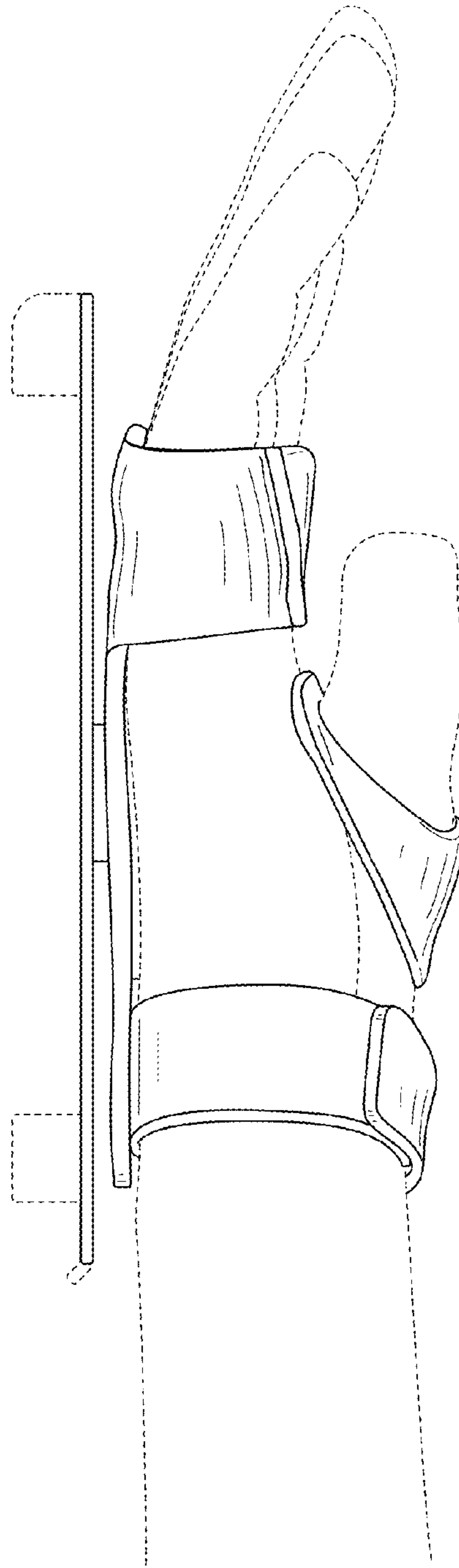


FIG. 5

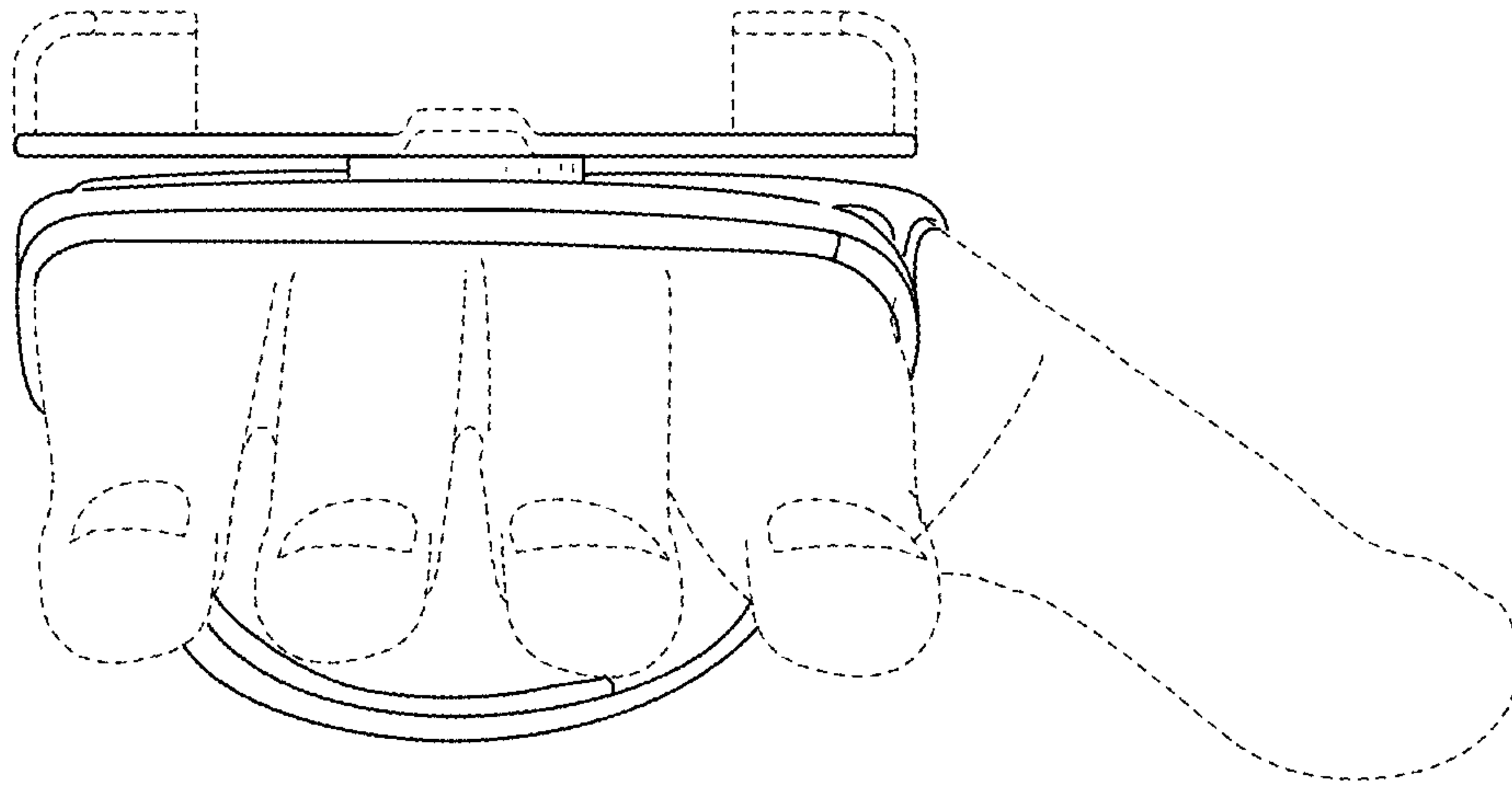


FIG. 6

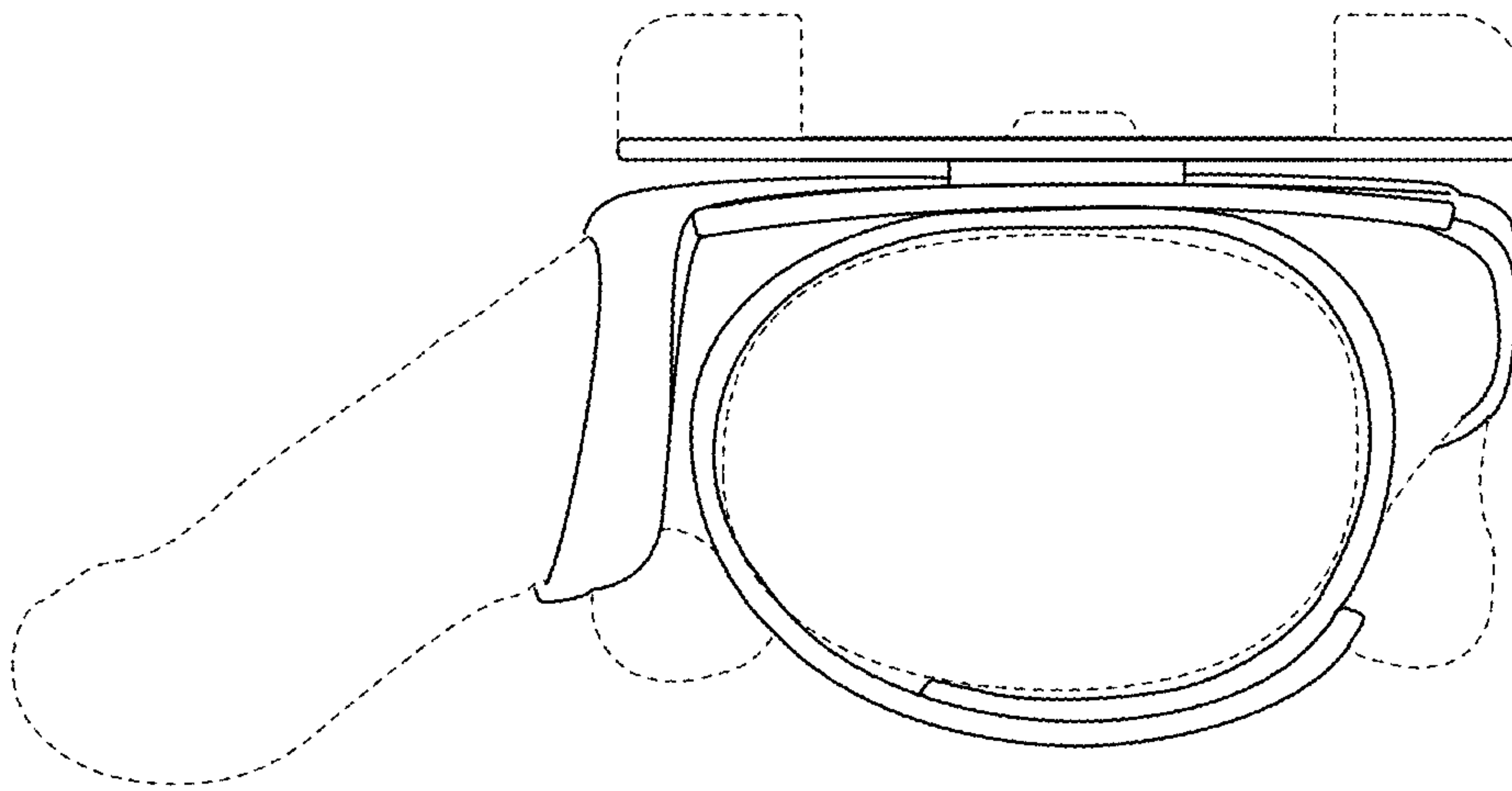


FIG. 7

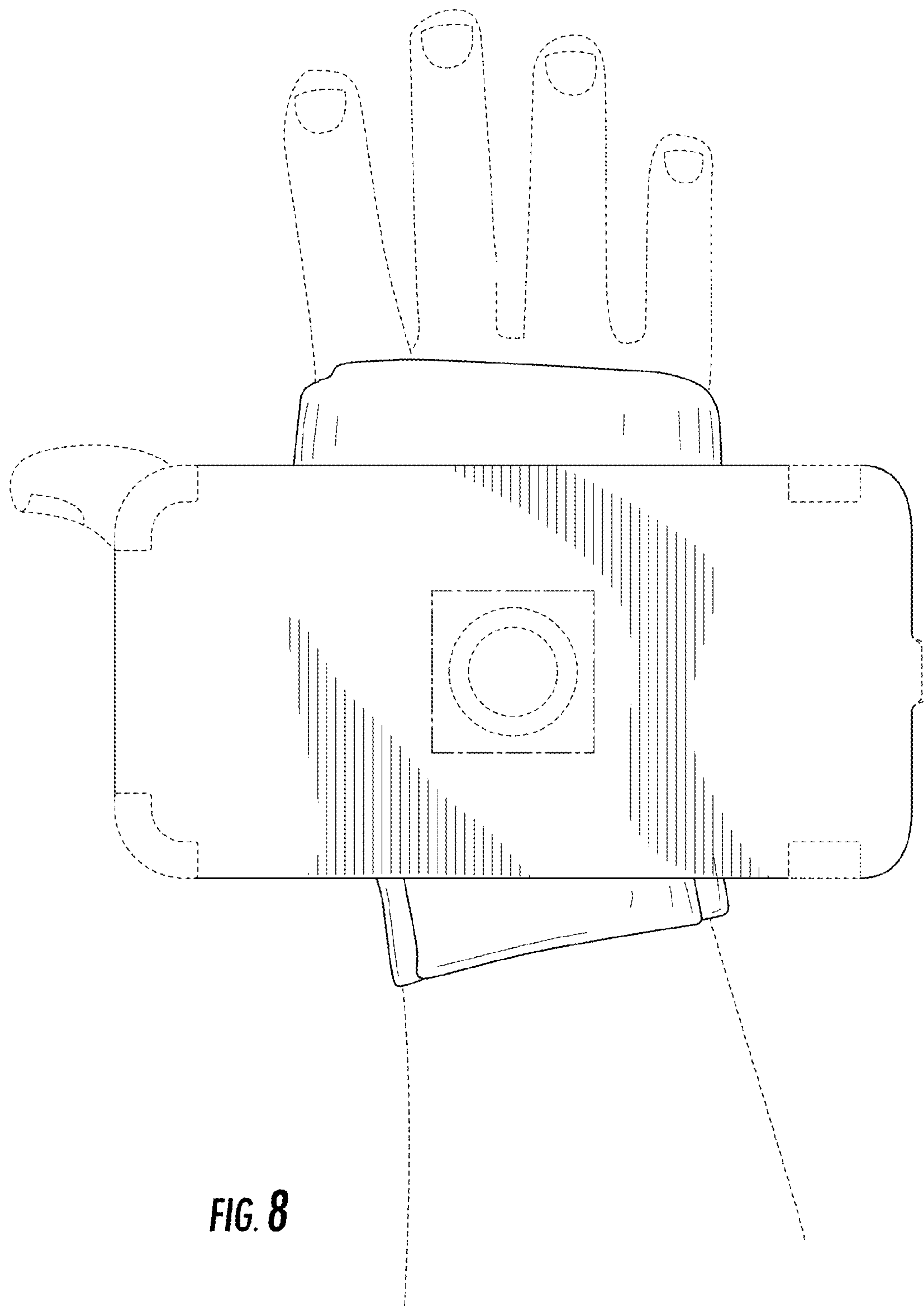


FIG. 8

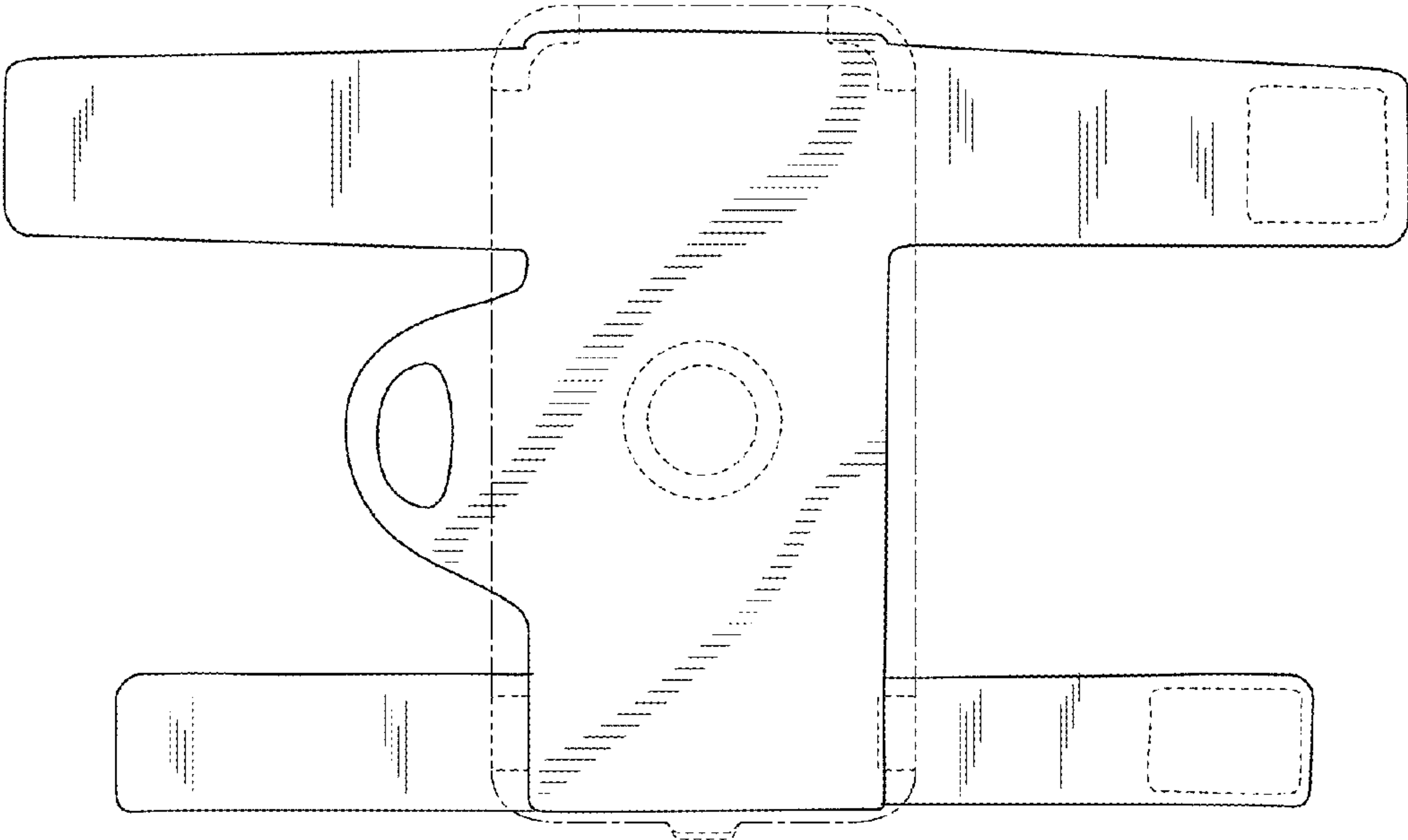


FIG. 9

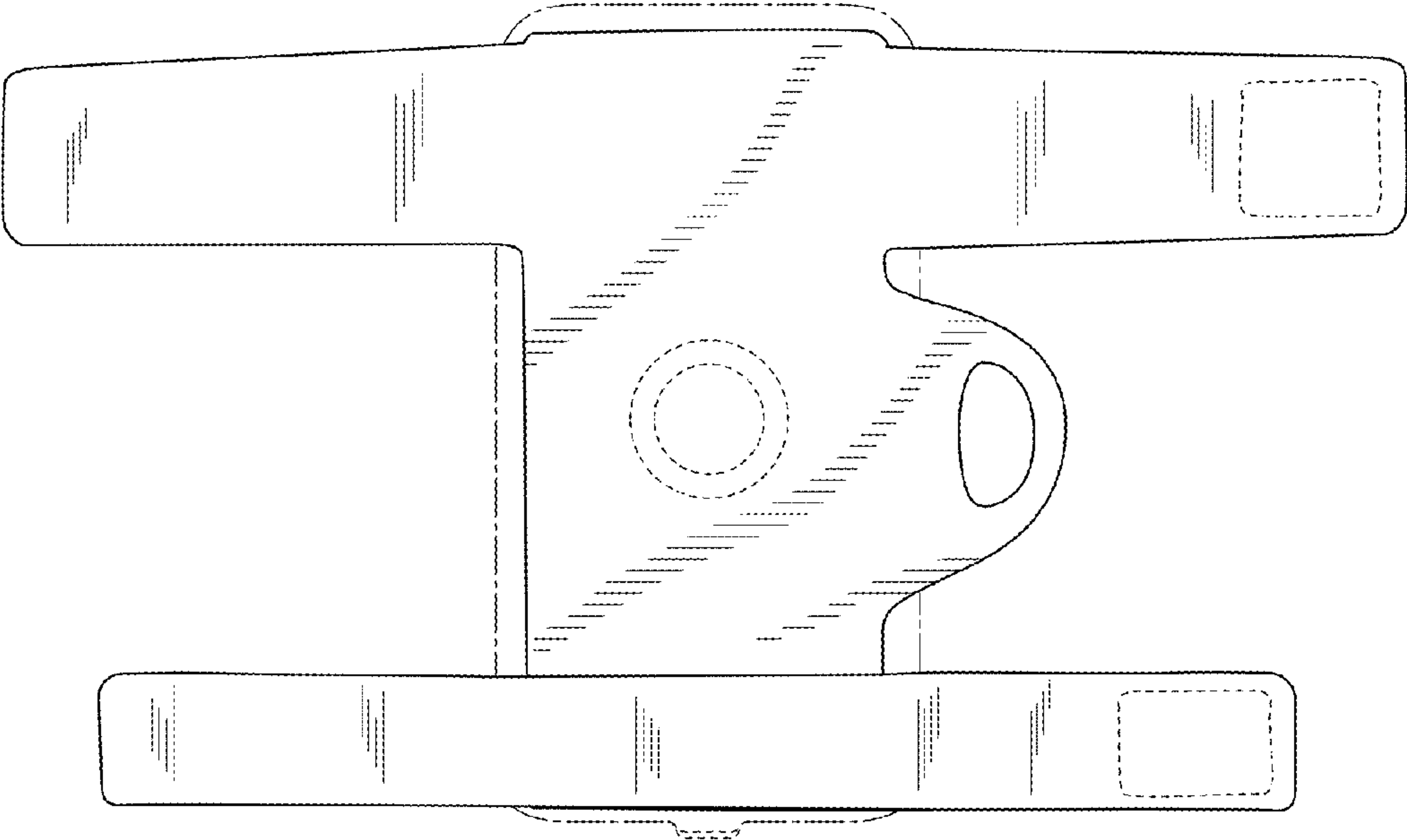


FIG. 10

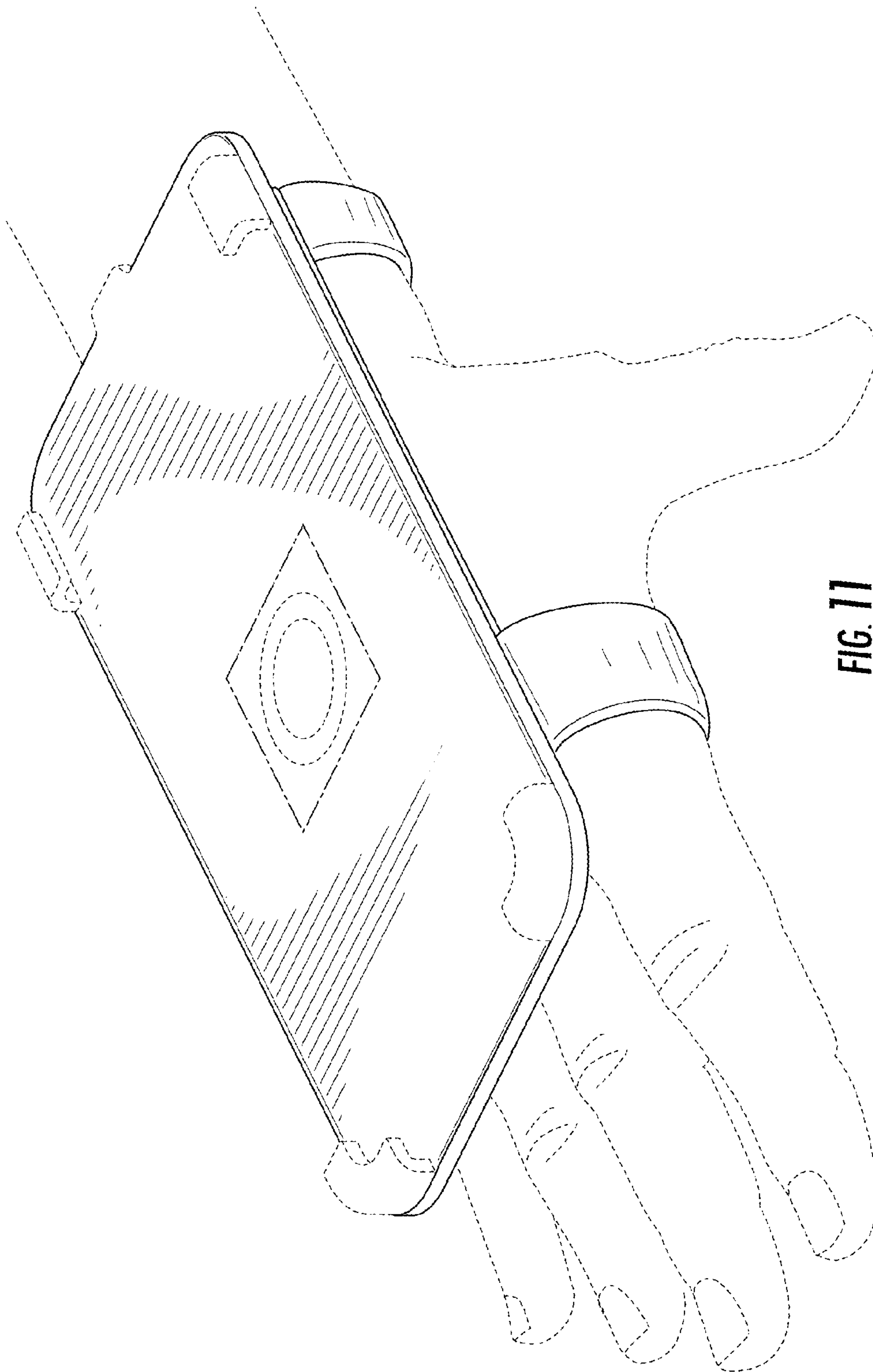
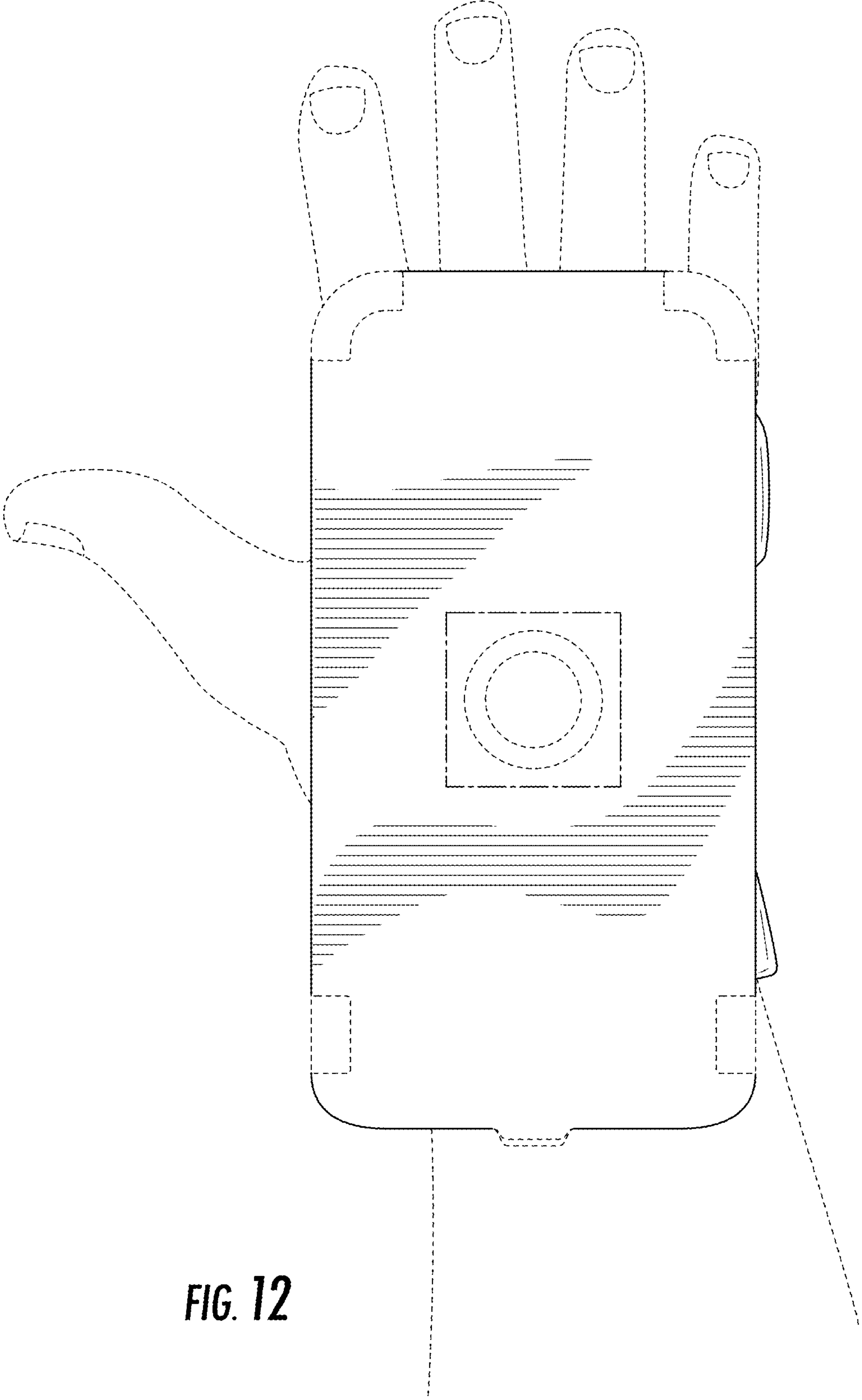


FIG. 11



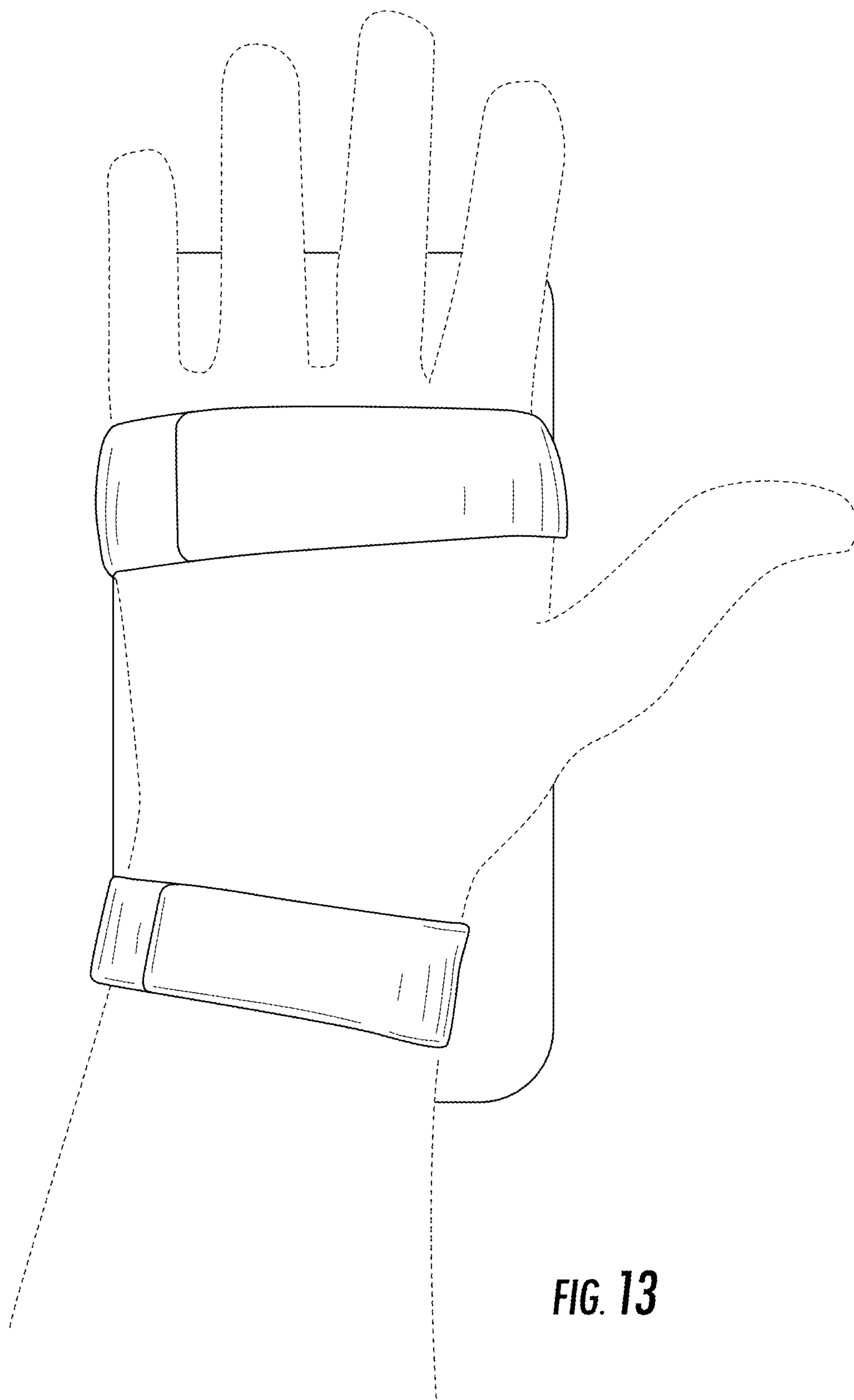


FIG. 13

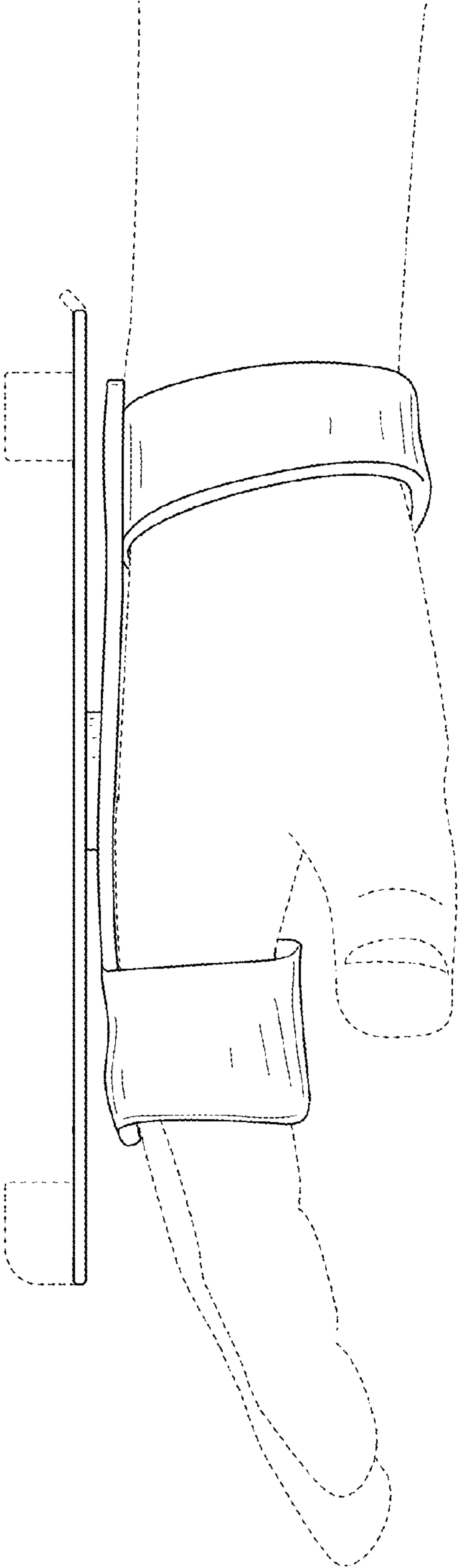


FIG. 14

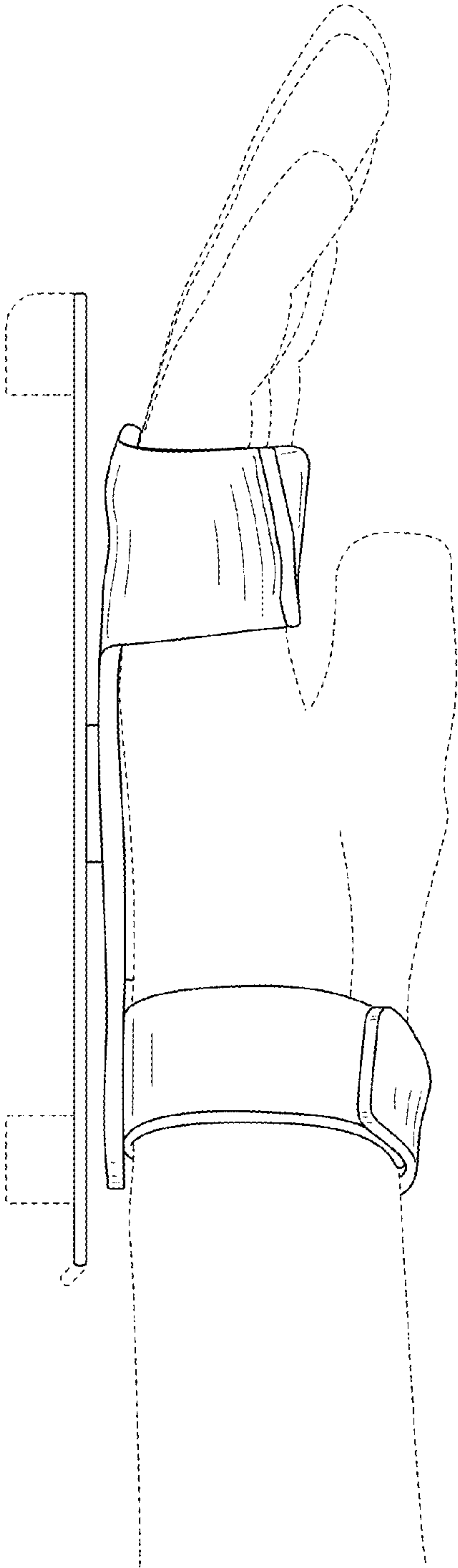


FIG. 15

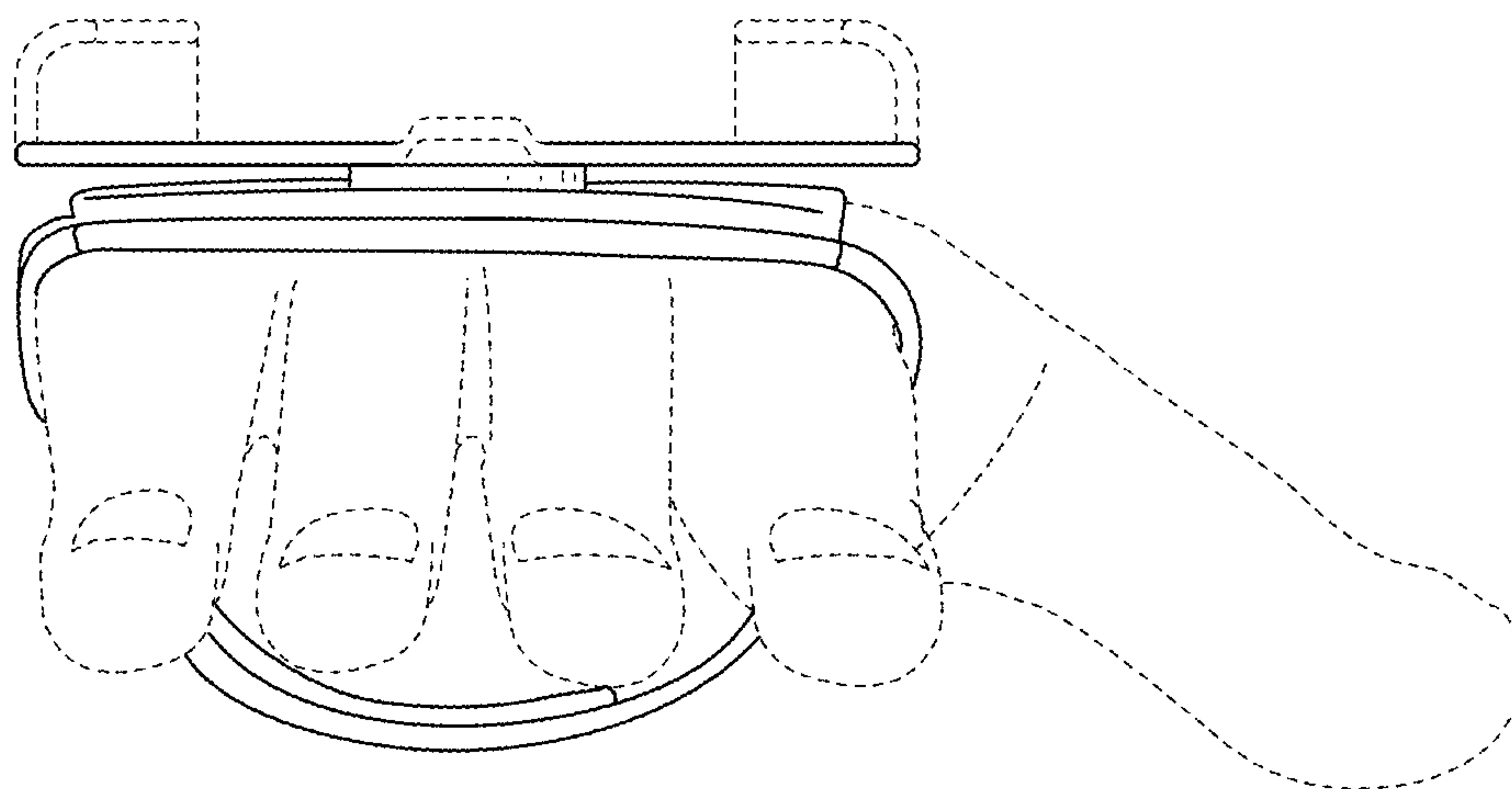


FIG. 16

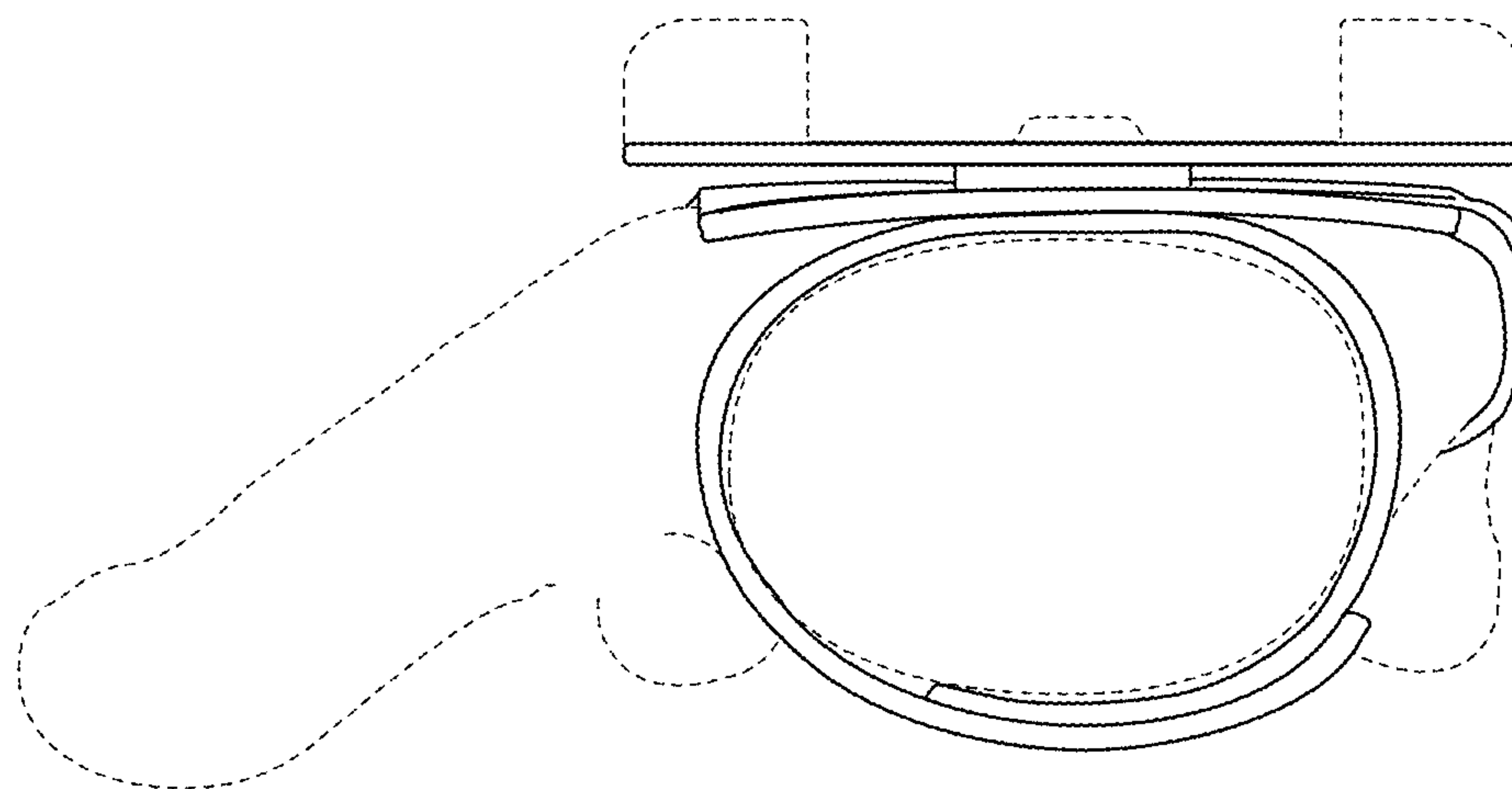
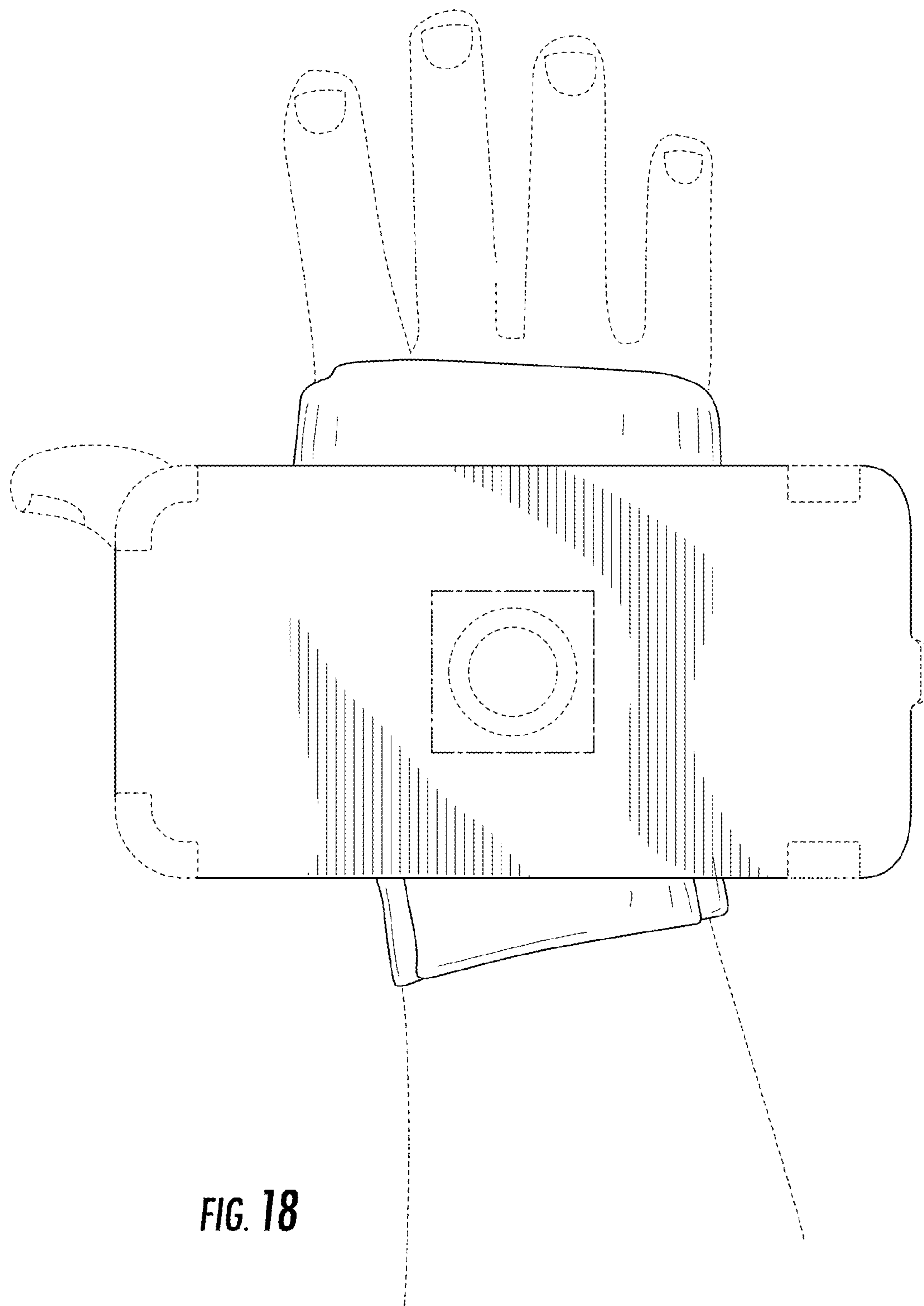


FIG. 17



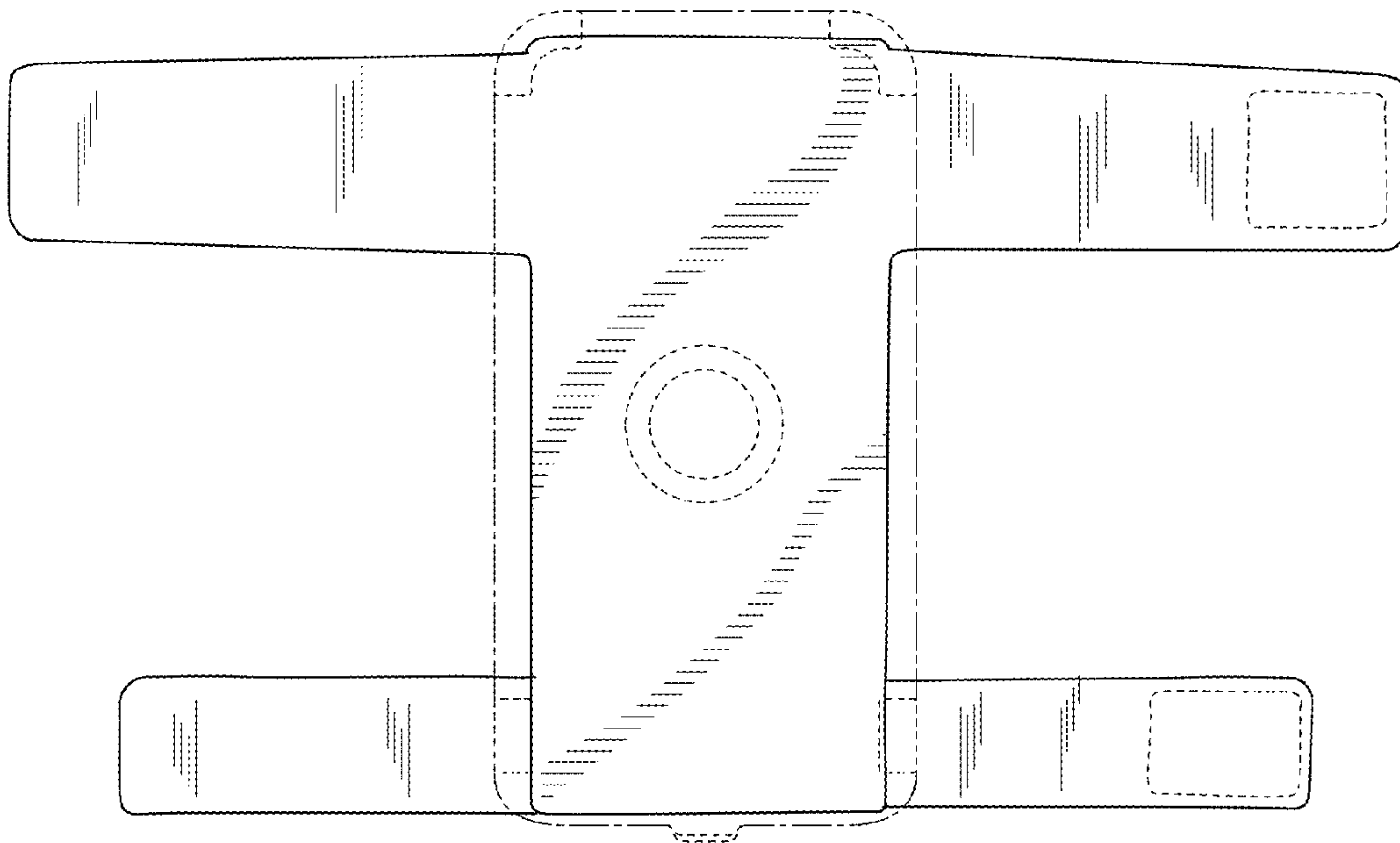


FIG. 19

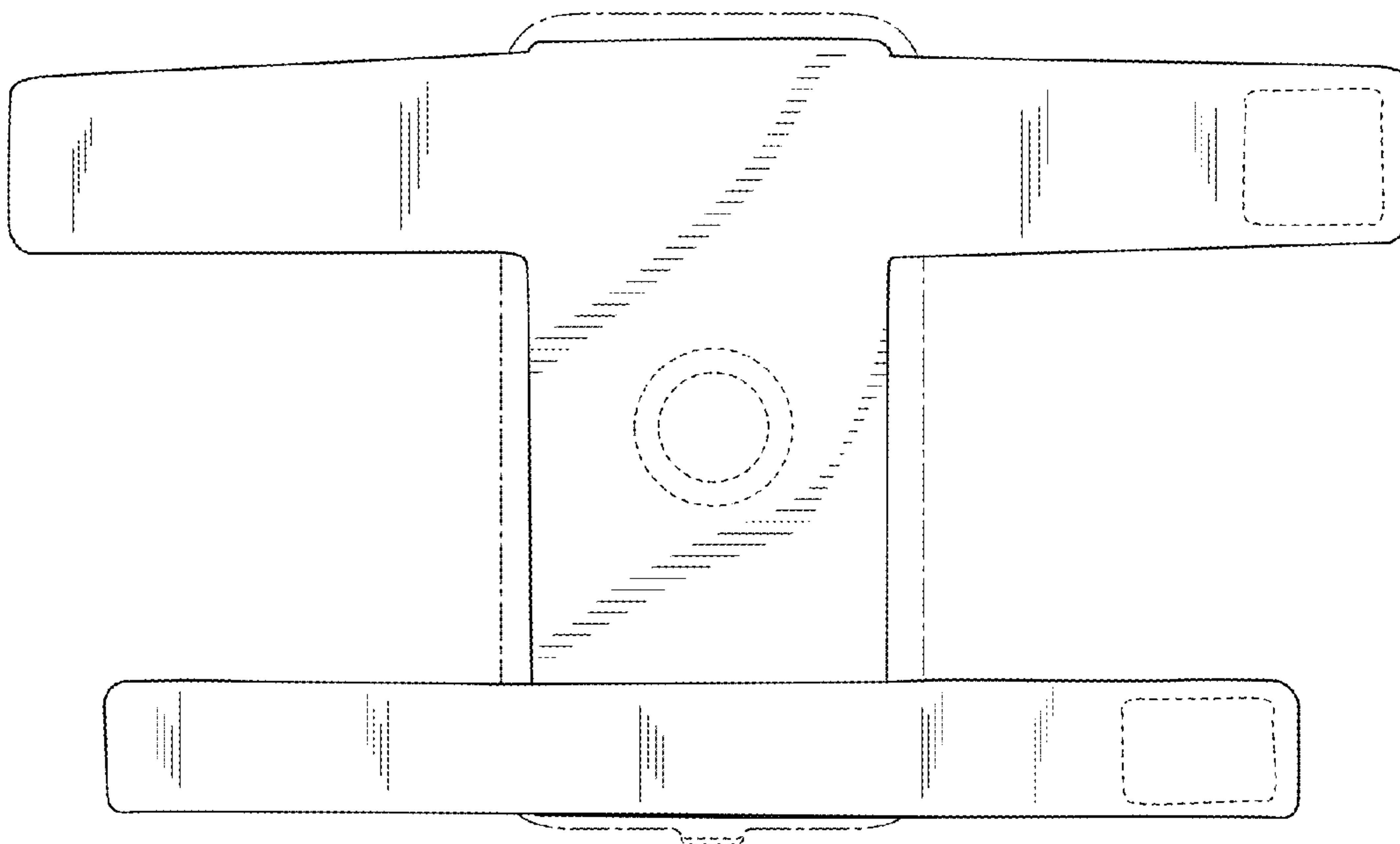


FIG. 20