



US00D745013S

(12) **United States Design Patent**
Brierley

(10) **Patent No.:** **US D745,013 S**

(45) **Date of Patent:** **** Dec. 8, 2015**

(54) **CASE FOR AN E-READER DEVICE WITH VIEWING STAND AND HAND STRAP**

(71) Applicant: **Malcolm Brierley**, Horsham (GB)

(72) Inventor: **Malcolm Brierley**, Horsham (GB)

(**) Term: **14 Years**

(21) Appl. No.: **29/485,804**

(22) Filed: **Mar. 24, 2014**

(51) **LOC (10) Cl.** **14-02**

(52) **U.S. Cl.**
USPC **D14/440**

(58) **Field of Classification Search**
USPC D14/250, 251, 253, 341, 318, 240, 217,
D14/496, 440, 203.3, 203.4, 203.5, 203.8;
455/575.1, 575.8; 312/240; D3/218,
D3/215, 201, 294, 289, 900; 220/4.02;
248/309.1; 361/679.56; 379/426,
379/433.11, 455; 190/100; D21/469
CPC ... G06F 1/1626; G06F 1/1633; G06F 1/1675;
G06F 1/1679; G02F 1/1306; G02F 1/133;
G02F 1/133308; G02F 1/153; G02F 1/1533;
G02F 2001/133317; H04M 1/185; H04M
1/0252; H04B 1/3888

See application file for complete search history.

(56) **References Cited**

U.S. PATENT DOCUMENTS

1,613,536	A *	1/1927	Rose	132/315
D230,376	S *	2/1974	Andrew	D19/91
4,259,568	A *	3/1981	Dynesen	235/1 D
6,772,879	B1 *	8/2004	Domotor	206/45.23
7,281,698	B2 *	10/2007	Patterson, Jr.	248/458
7,414,833	B2 *	8/2008	Kittayapong	361/679.27
D600,699	S *	9/2009	Johnston et al.	D14/440
7,735,644	B2 *	6/2010	Sirichai et al.	206/320
D658,187	S *	4/2012	Diebel	D14/440
D658,188	S *	4/2012	Diebel	D14/440
D663,304	S *	7/2012	Akana et al.	D14/440

8,230,992	B2 *	7/2012	Law et al.	206/320
8,245,843	B1 *	8/2012	Wu	206/320
D669,480	S *	10/2012	Piedra et al.	D14/440
8,312,991	B2 *	11/2012	Diebel et al.	206/45.24
D671,948	S *	12/2012	Akana et al.	D14/440
D672,353	S *	12/2012	Liu	D14/440
D672,781	S *	12/2012	Lu	D14/440
D675,625	S *	2/2013	Hasbrook et al.	D14/440
D678,260	S *	3/2013	Bau	D14/250
D679,279	S *	4/2013	Yang et al.	D14/440
D679,715	S *	4/2013	Akana et al.	D14/440
8,424,830	B2 *	4/2013	Yang et al.	248/459
D681,641	S *	5/2013	Van Den Nieuwenhuizen et al.	D14/440
D682,836	S *	5/2013	Akana et al.	D14/440
D682,838	S *	5/2013	Akana et al.	D14/440
D683,141	S *	5/2013	Symons	D6/310
D687,438	S *	8/2013	Lu	D14/440
D690,305	S *	9/2013	Wen	D14/440
D690,702	S *	10/2013	Chung	D14/440
D691,142	S *	10/2013	Diebel	D14/440
D692,434	S *	10/2013	Kim	D14/440
D693,823	S *	11/2013	Chen et al.	D14/440
D695,296	S *	12/2013	Hsu	D14/440

(Continued)

Primary Examiner — Cynthia Underwood

(74) *Attorney, Agent, or Firm* — Soroker-Agmon

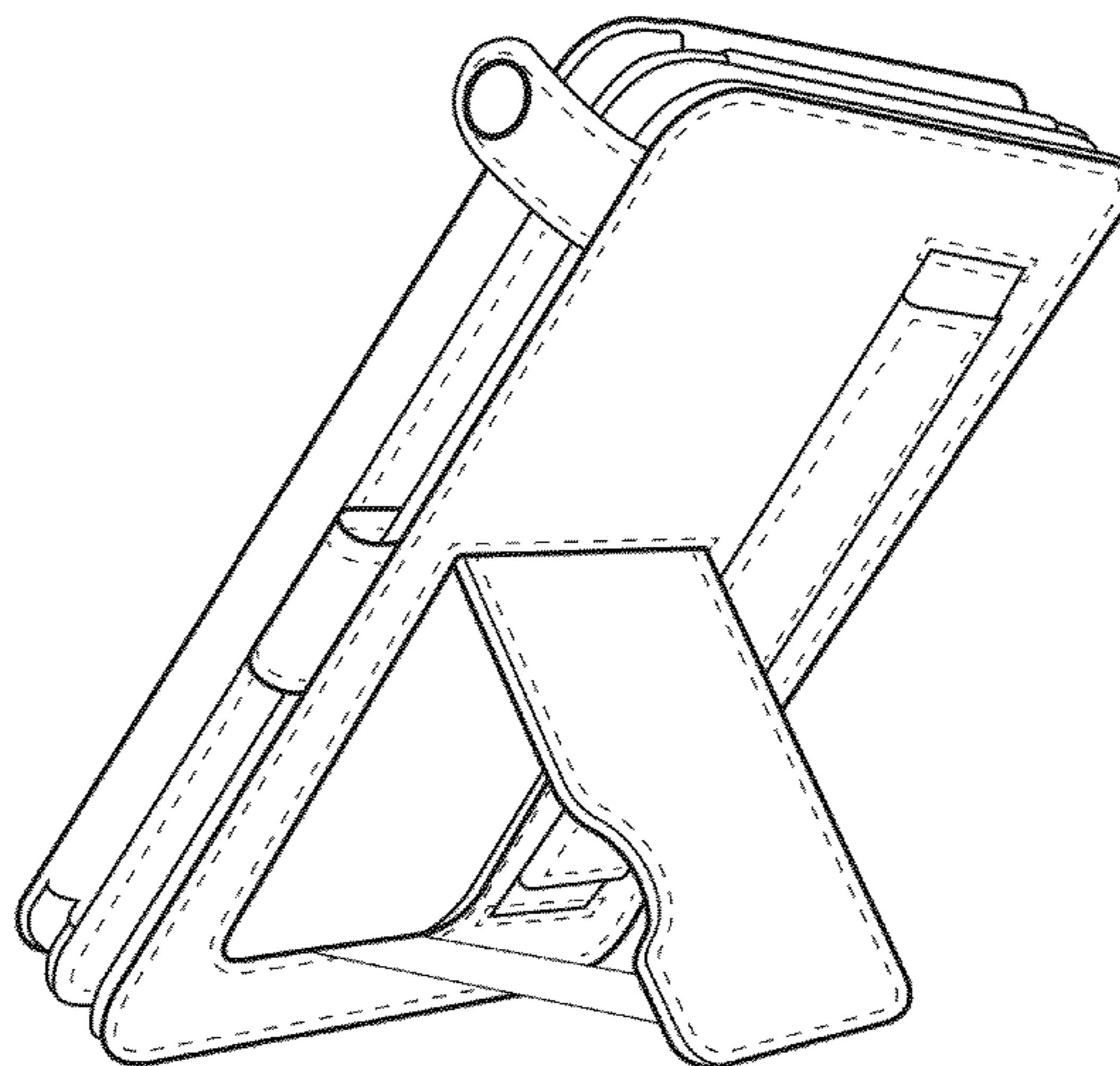
(57) **CLAIM**

The ornamental design for a case for an E-reader device with viewing stand and hand strap, as shown and described.

DESCRIPTION

FIG. 1 is a left side view of a case for an E-reader device with viewing stand and hand strap, showing my new design;
FIG. 2 is a front view thereof;
FIG. 3 is a right side view thereof;
FIG. 4 is a rear view thereof;
FIG. 5 is a top side view shown folded into a configuration of use; and,
FIG. 6 is a front perspective view thereof.
The broken lines represent stitching and form part of the claim.

1 Claim, 6 Drawing Sheets



(56)

References Cited

U.S. PATENT DOCUMENTS

D696,253	S *	12/2013	Akana et al.	D14/345						
D696,256	S *	12/2013	Piedra et al.	D14/440						
D696,669	S *	12/2013	Akana et al.	D14/440						
8,640,864	B2 *	2/2014	Chen et al.	206/45.2						
8,644,893	B2 *	2/2014	Liang	455/575.1						
8,657,112	B2 *	2/2014	Igarashi	206/320						
D701,205	S *	3/2014	Akana et al.	D14/345						
D702,673	S *	4/2014	Murchison et al.	D14/250						
D704,689	S *	5/2014	Chang	D14/250						
D704,693	S *	5/2014	Kim	D14/250						
D706,270	S *	6/2014	Akana et al.	D14/440						
D706,783	S *	6/2014	Almodova	D14/440						
D707,229	S *	6/2014	Almodova	D14/440						
8,757,375	B2 *	6/2014	Huang	206/320						
D708,838	S *	7/2014	Lee	D3/201						
8,763,795	B1 *	7/2014	Oten et al.	206/45.23						
8,766,921	B2 *	7/2014	Ballagas et al.	345/168						
8,773,353	B2 *	7/2014	Wei	345/156						
						8,783,458	B2 *	7/2014	Gallagher et al.	206/320
						D710,859	S *	8/2014	Mecchella et al.	D14/440
						8,797,132	B2 *	8/2014	Childs et al.	335/219
						D712,413	S *	9/2014	Fukai	D14/440
						2003/0034263	A1 *	2/2003	D'Hoste	206/320
						2008/0302687	A1 *	12/2008	Sirichai et al.	206/320
						2009/0159763	A1 *	6/2009	Kim	248/174
						2011/0266194	A1 *	11/2011	Bau	206/736
						2011/0290687	A1 *	12/2011	Han	206/320
						2012/0037523	A1 *	2/2012	Diebel et al.	206/320
						2012/0211377	A1 *	8/2012	Sajid	206/216
						2012/0211613	A1 *	8/2012	Yang et al.	248/174
						2012/0305413	A1 *	12/2012	Chung	206/45.23
						2012/0308981	A1 *	12/2012	Libin et al.	434/362
						2013/0015088	A1 *	1/2013	Wu	206/320
						2013/0020216	A1 *	1/2013	Chiou	206/320
						2013/0140203	A1 *	6/2013	Chiang	206/320
						2013/0213838	A1 *	8/2013	Tsai et al.	206/320
						2013/0214661	A1 *	8/2013	McBroom	312/325
						2013/0241381	A1 *	9/2013	Hyneczek et al.	312/240
						2013/0264459	A1 *	10/2013	McCosh et al.	248/688

* cited by examiner

FIG. 1

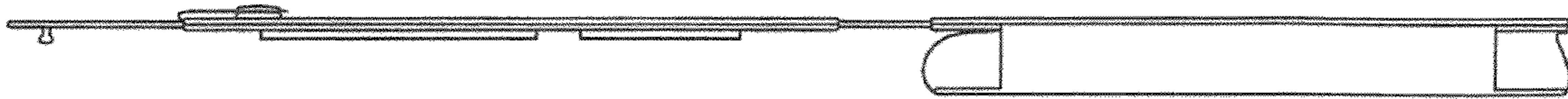


FIG. 2

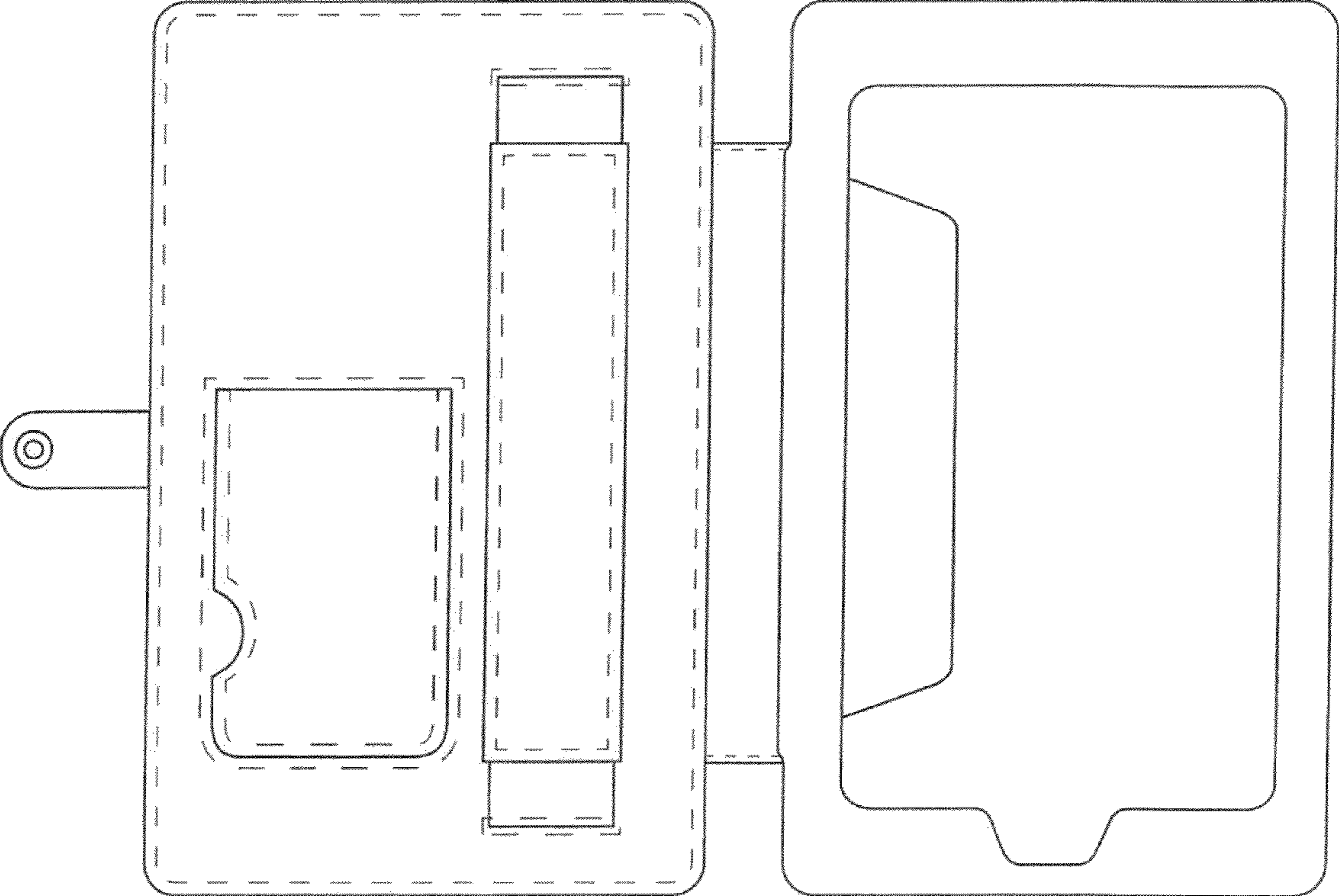


FIG. 3

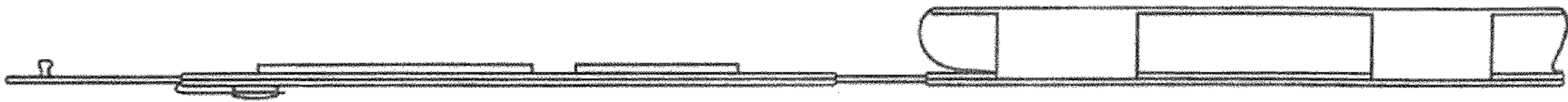


FIG. 4

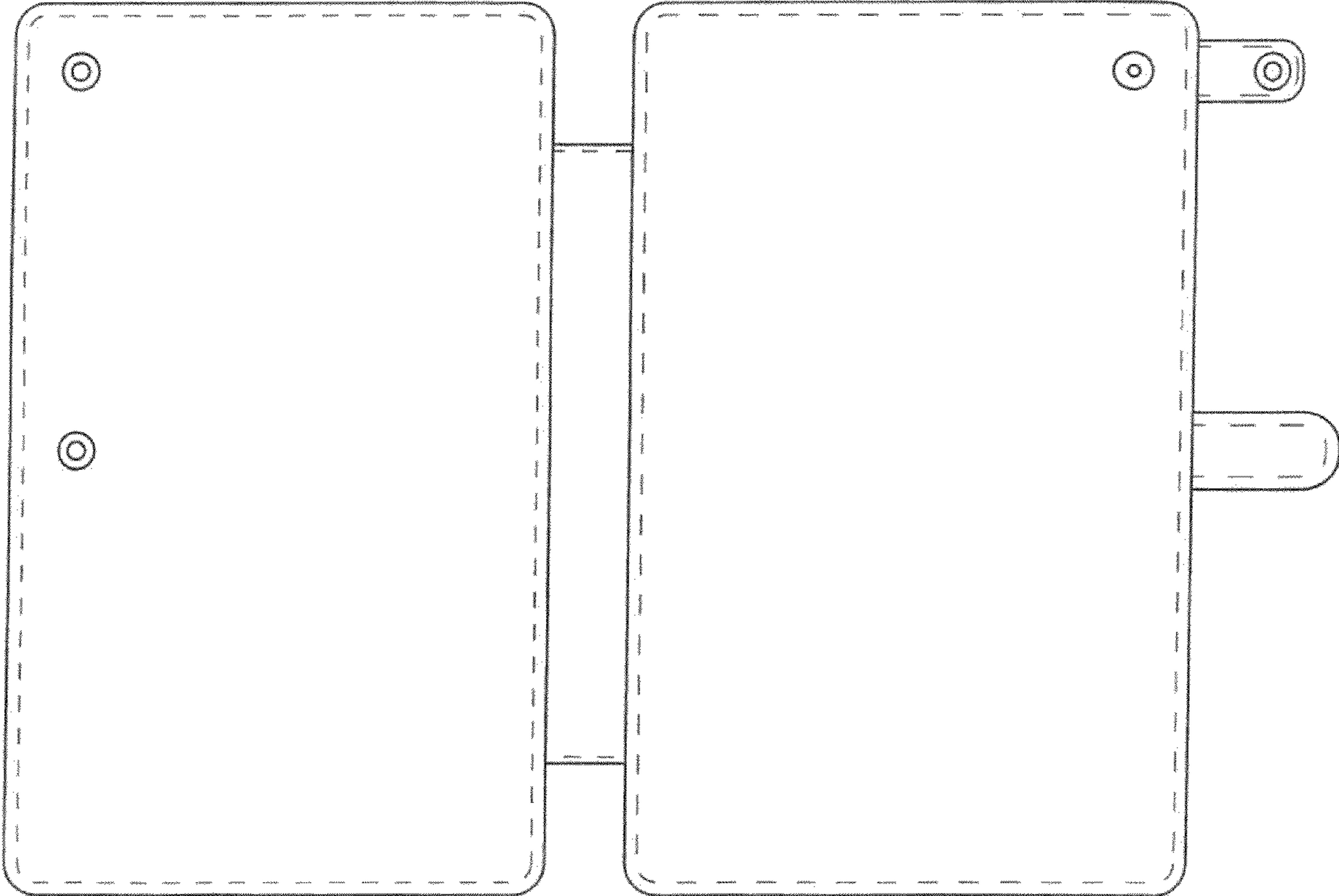


FIG. 5

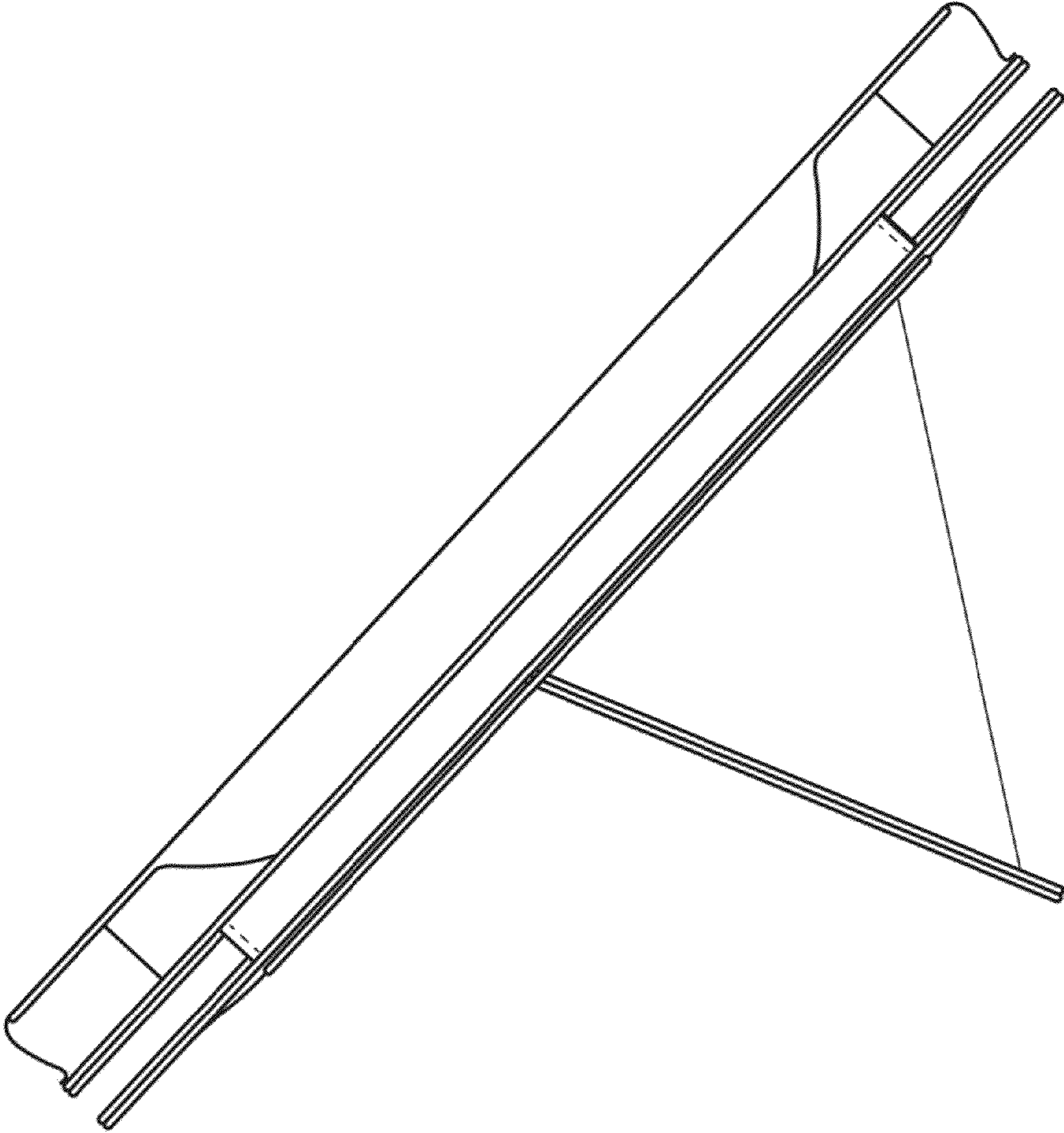


FIG. 6

